



US00D907976S

(12) **United States Design Patent**
Johnson

(10) **Patent No.:** **US D907,976 S**

(45) **Date of Patent:** **** Jan. 19, 2021**

(54) **TOOL FOR AUTOMOTIVE SENSOR
MANIPULATION**

(71) Applicant: **Bailor Garage, LLC**, Omaha, NE (US)

(72) Inventor: **Bradley L. Johnson**, Omaha, NE (US)

(73) Assignee: **Bailor Garage, LLC**, Omaha, NE (US)

(**) Term: **15 Years**

(21) Appl. No.: **29/693,768**

(22) Filed: **Jun. 5, 2019**

(51) **LOC (13) Cl.** **08-05**

(52) **U.S. Cl.**

USPC **D8/29**

(58) **Field of Classification Search**

USPC D8/15-29, 29.1, 29.2, 30-32, 349,
D8/382-386, 396-399, 70, 71, 70.1,
(Continued)

(56) **References Cited**

U.S. PATENT DOCUMENTS

2,623,418 A * 12/1952 Vaughan B23P 15/00
76/114
5,544,555 A * 8/1996 Corley B25B 13/06
81/125

(Continued)

FOREIGN PATENT DOCUMENTS

CN 300780815 * 6/2007
CN 302131704 * 5/2012

(Continued)

OTHER PUBLICATIONS

Capri Tools, 3 mm Hex Bit Socket, 1/4-Inch Drive, Metric, Date first available May 25, 2018, [online]retrieved Jul. 8, 2020, available from internet, www.amazon.com (Year: 2018).*

(Continued)

Primary Examiner — Keli L Hill

Assistant Examiner — Sara S Sahneh

(74) *Attorney, Agent, or Firm* — Ryan T. Grace; Advent, LLP

(57) **CLAIM**

The ornamental design for a tool for automotive sensor manipulation, as shown and described.

DESCRIPTION

FIG. 1 is an isometric view of a tool for automotive sensor manipulation.

FIG. 2 is a top plan view of the tool for automotive sensor manipulation of FIG. 1.

FIG. 3 is a bottom view of the tool for automotive sensor manipulation of FIG. 1.

FIG. 4 is a front elevation view of the tool for automotive sensor manipulation of FIG. 1.

FIG. 5 is a rear elevation view of the tool for automotive sensor manipulation of FIG. 1.

FIG. 6 is a left side elevation view of the tool for automotive sensor manipulation of FIG. 1.

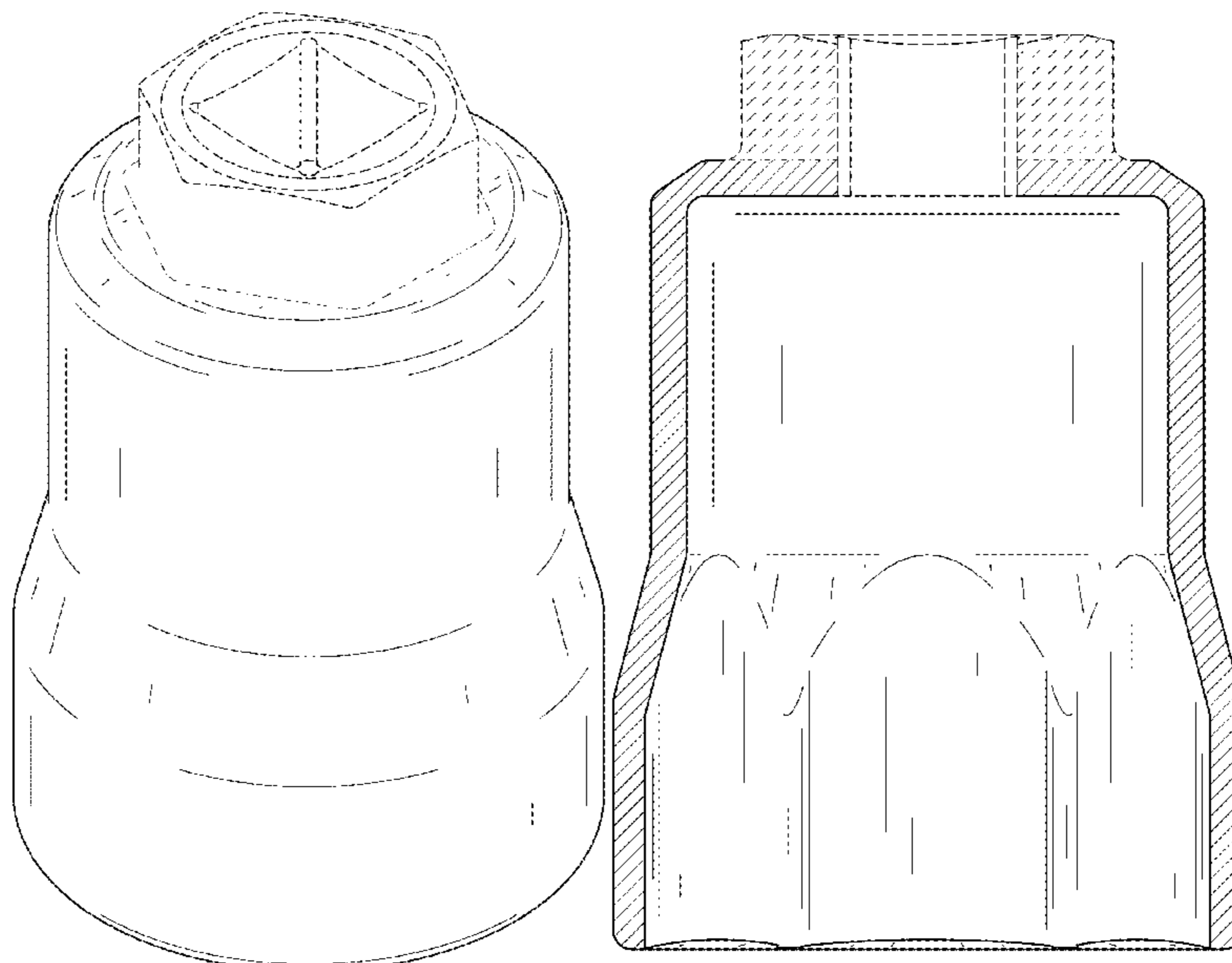
FIG. 7 is a right side elevation view of the tool for automotive sensor manipulation of FIG. 1.

FIG. 8 is a cross-sectional front elevation view of the tool for automotive sensor manipulation of FIG. 1, taken on the line 8-8 in FIG. 2; and,

FIG. 9 is a cross-sectional rear elevation view of the tool for automotive sensor manipulation of FIG. 1, taken on the line 9-9 in FIG. 2.

The dash-dash broken lines depict portions of the tool for automotive sensor manipulation that form no part of the claimed design. The dash-dot-dash broken lines illustrate the boundaries of the claim and form no part thereof.

1 Claim, 9 Drawing Sheets



(58) **Field of Classification Search**

USPC D8/72-74, 471, 83, 104-107, 354, 361,
 D8/362, 360, 360.1, 363-372, 355-359;
 81/487, 60, 186, 124, 4, 121.1, 63.1, 119,
 81/489, 177.1, 177.2, 177.85, 177.8, 62,
 81/61
 CPC . B25B 23/1427; B25B 23/0007; B25B 23/16;
 B25B 17/00; B25B 23/0028; B25B
 23/0021; B25B 13/50; B25B 3/08; B25B
 13/481; B25B 13/461; B25B 23/0035;
 B25B 15/04; B25G 1/043; E06B 3/685;
 A61C 8/0089; A61C 1/186; A61B
 17/8875; A61B 17/8883

See application file for complete search history.

2010/0170368 A1* 7/2010 Hu B25B 23/0014
 81/177.75
 2014/0000417 A1* 1/2014 Lai B25B 13/065
 81/121.1
 2019/0001469 A1* 1/2019 Cho B25B 13/065
 2020/0156220 A1* 5/2020 Chou B25B 23/0035

FOREIGN PATENT DOCUMENTS

IN	313732-001-0001	*	1/2019
JP	D1218214	*	12/2003
JP	D1291299	*	12/2005
JP	D1564573	*	10/2015
KR	300818813.0000	*	4/2015

OTHER PUBLICATIONS

Uxcell 2 Pcs 1/4" Drive x 5mm Hex Bit Socket, Standard Metric, S2 and Cr-V Steel, Date first available Mar. 16, 2018, [online] retrieved Jul. 9, 2020, available from internet, www.amazon.com (Year: 2018).*

Utoolmart, 1/4 Drive 5mm Chrome-vanadium Metric 6 Point Axle Nut Hex Socket Hexagonal 2pcs, Date first available Aug. 6, 2019, [online]retrieved Jul. 9, 2020, available from internet, www.amazon.com (Year: 2019).*

* cited by examiner

(56) **References Cited**

U.S. PATENT DOCUMENTS

D474,382	S	*	5/2003	Tsai	D8/29
D636,650	S	*	4/2011	Laurie	D8/29
D718,587	S	*	12/2014	Chen	D8/29
D774,866	S	*	12/2016	Levey	D8/70
D834,903	S	*	12/2018	Lee	D8/29
2004/0099098	A1	*	5/2004	Chen	B25B 23/0035 81/60
2010/0018360	A1	*	1/2010	Shyu	B25B 13/56 81/180.1

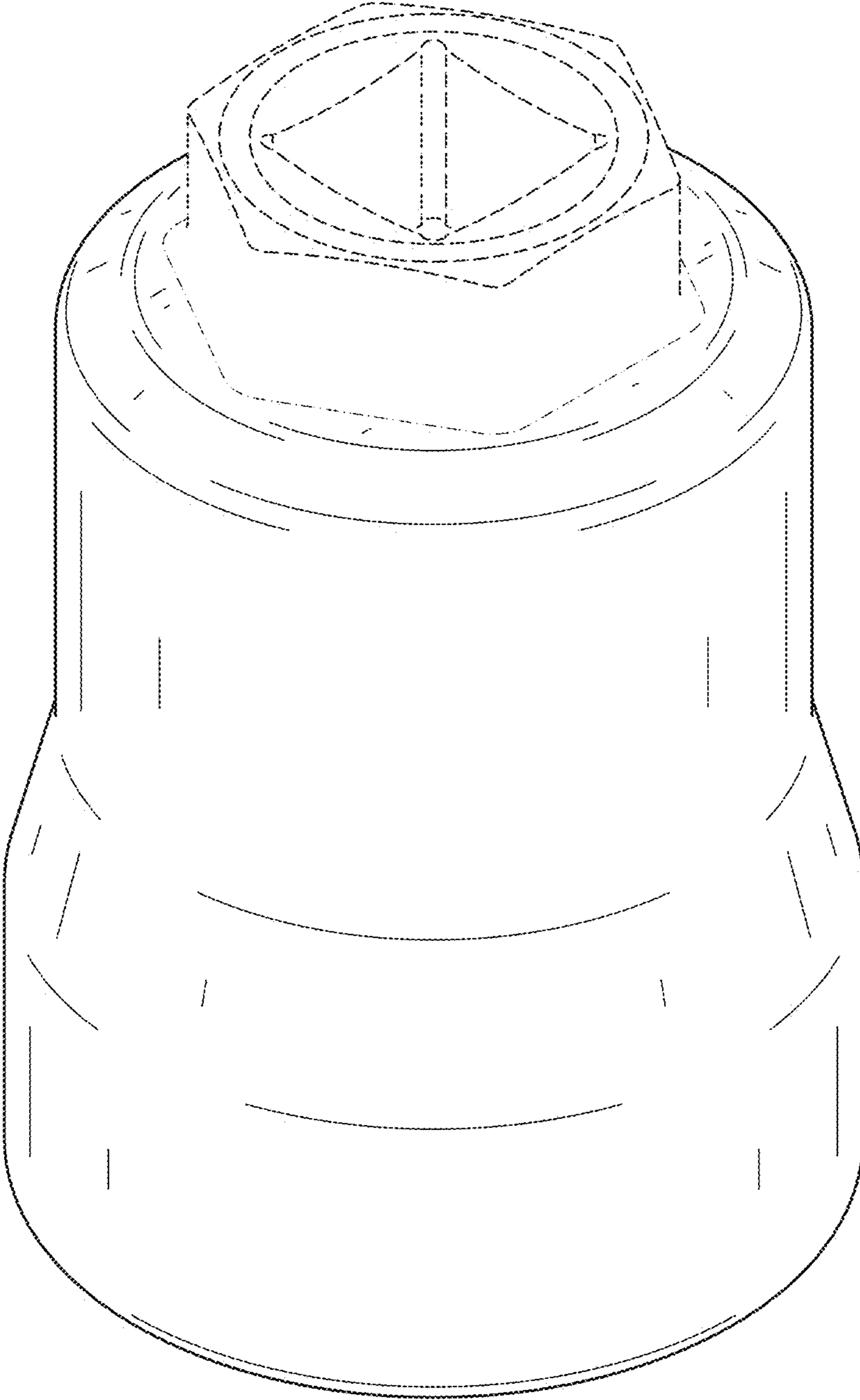


FIG. 1

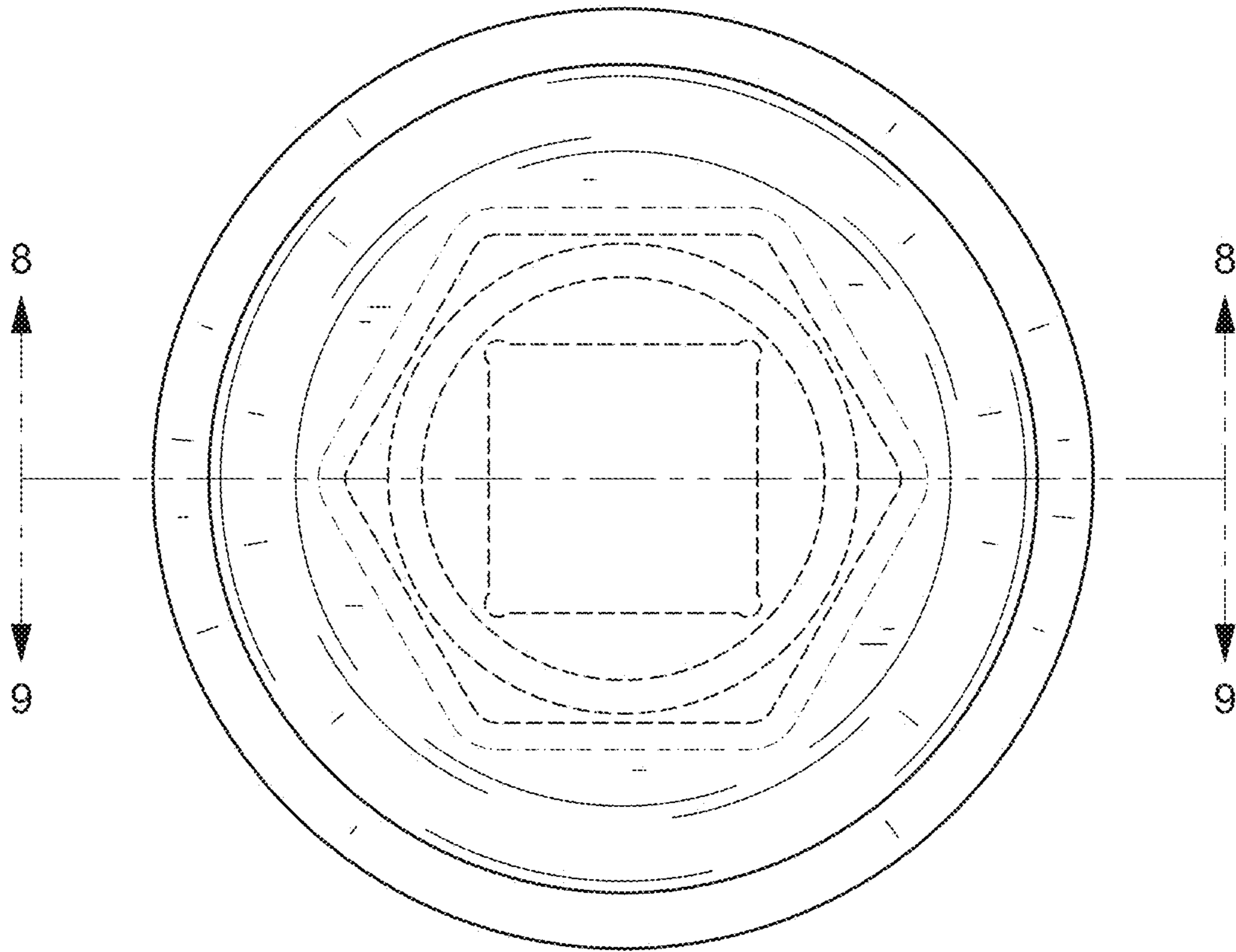


FIG. 2

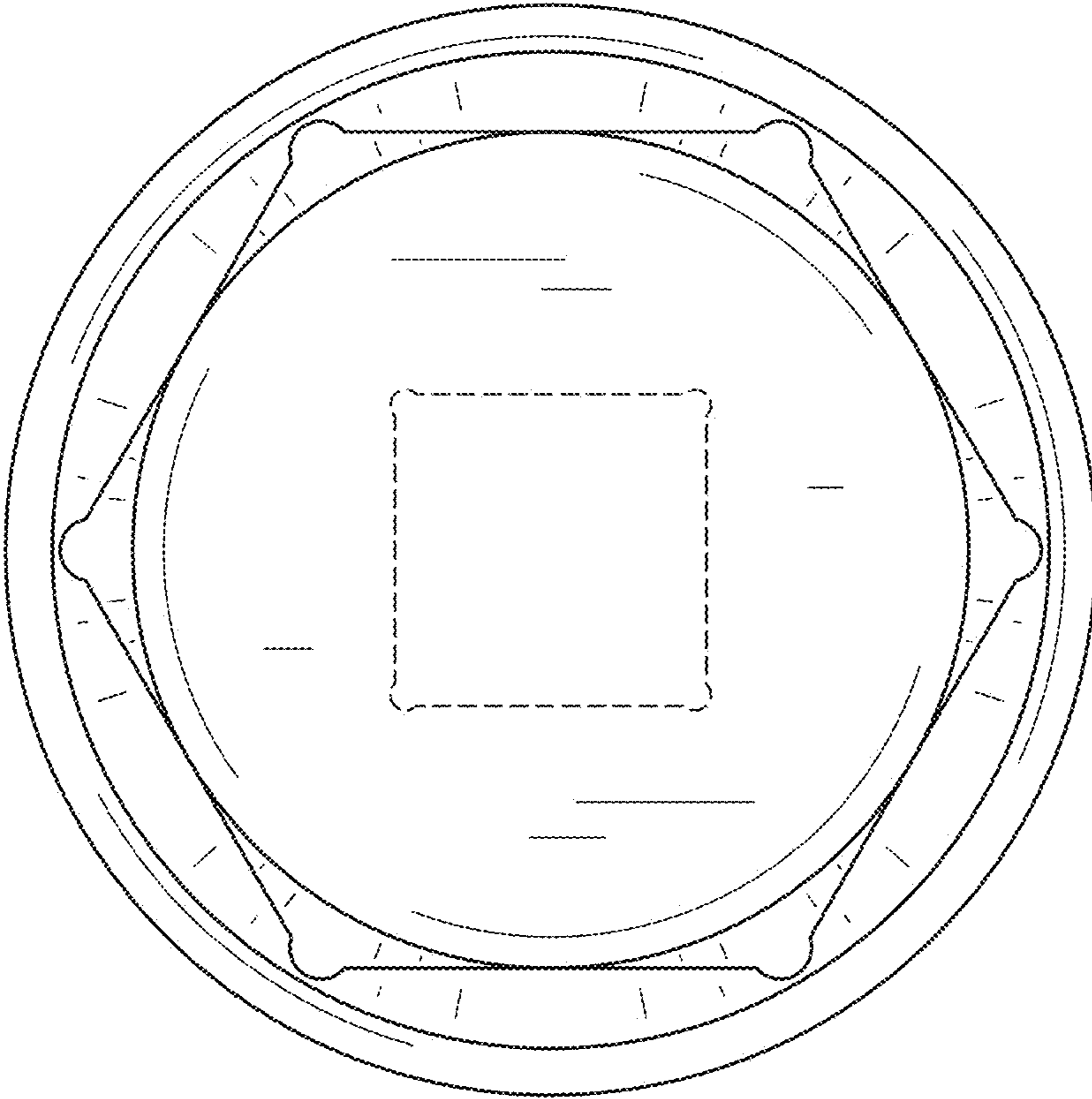


FIG. 3

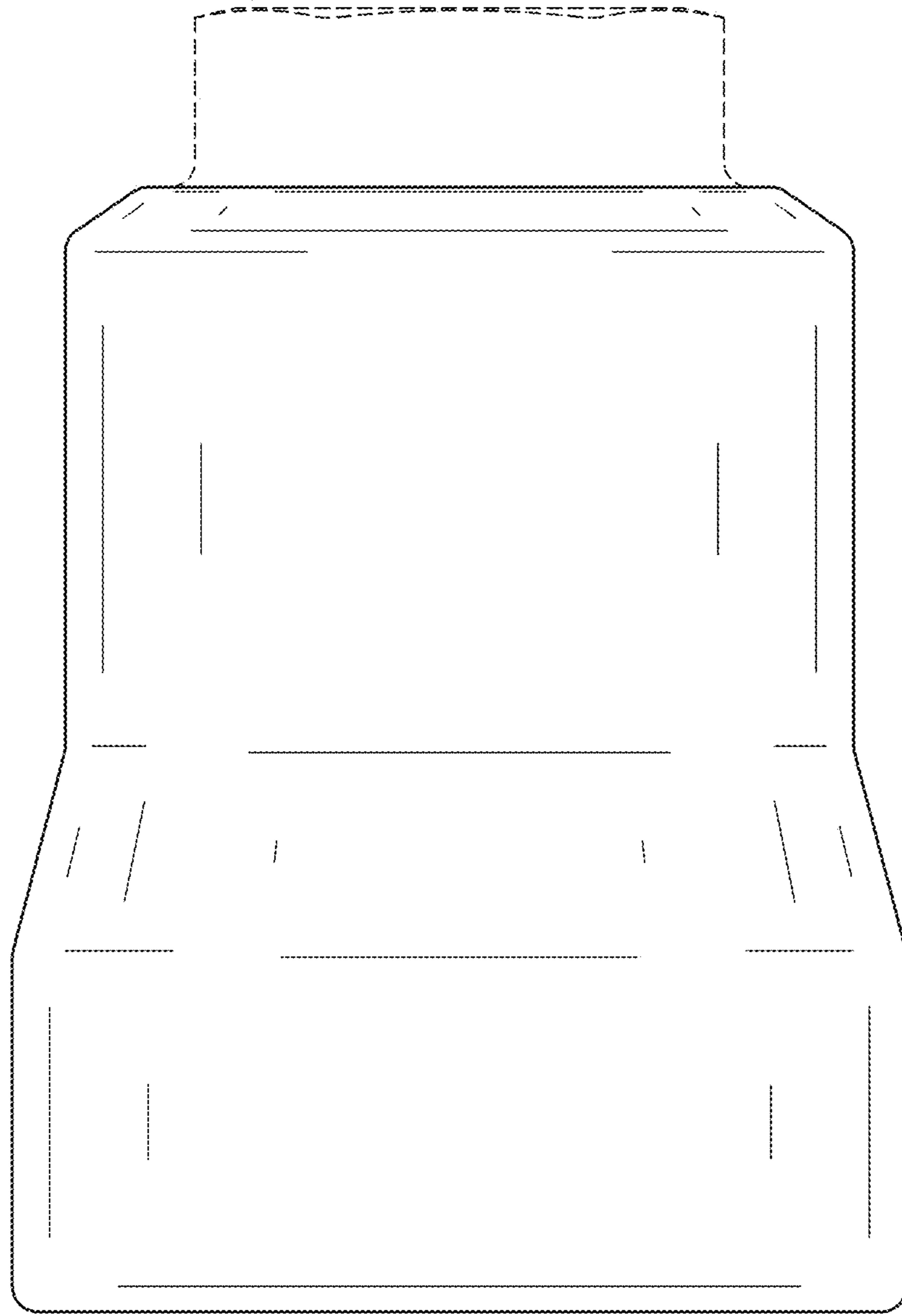


FIG. 4

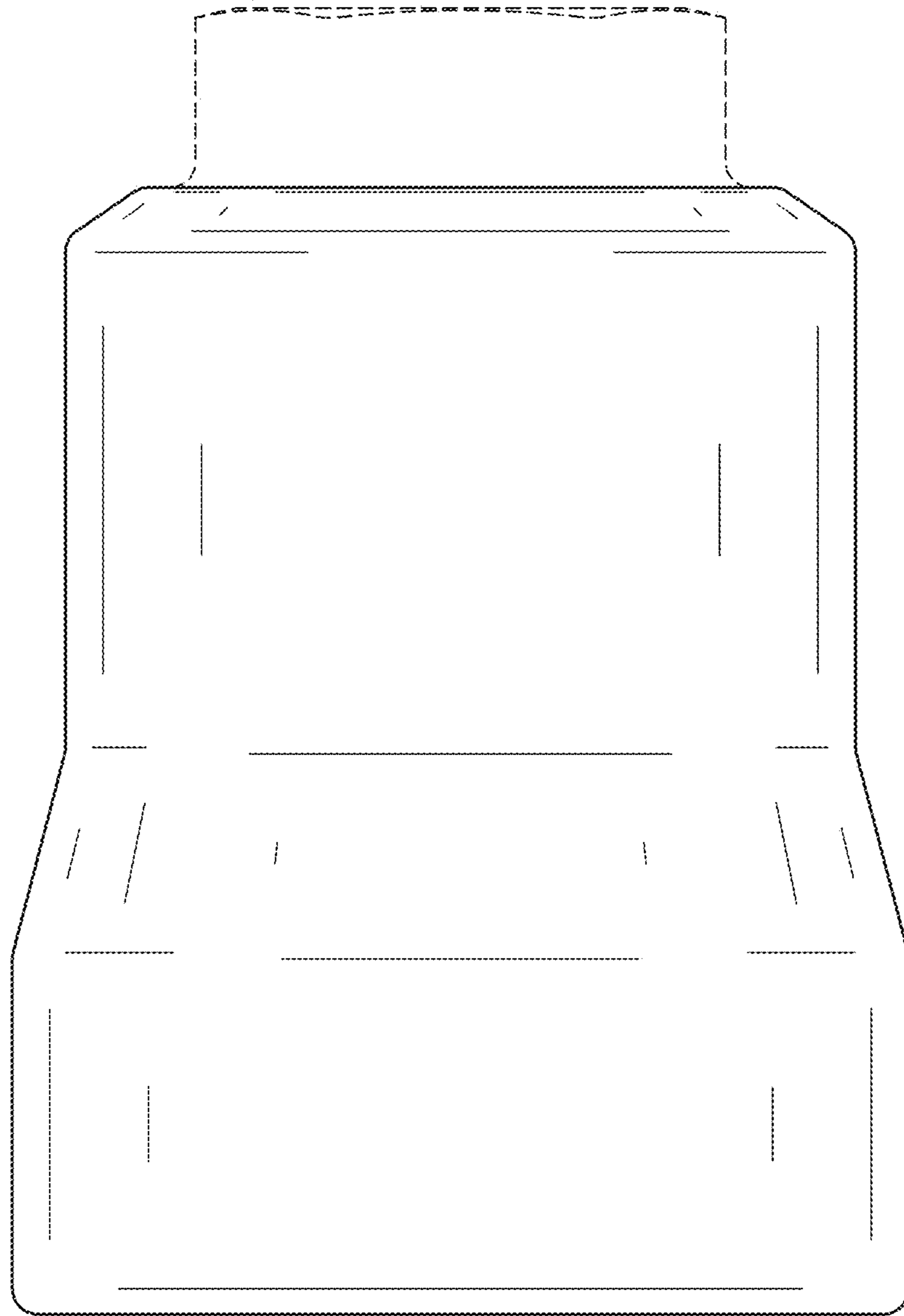


FIG. 5

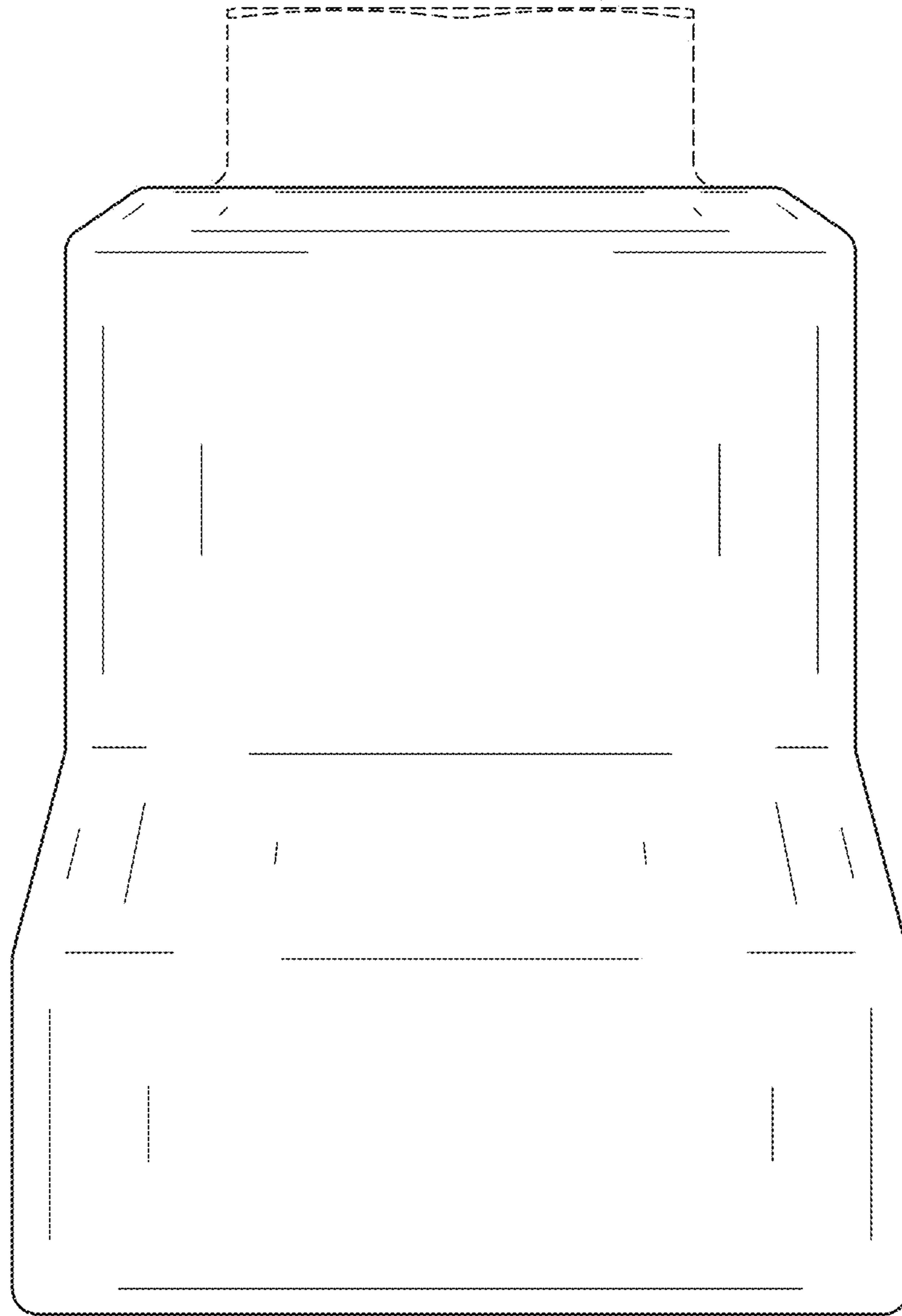


FIG. 6

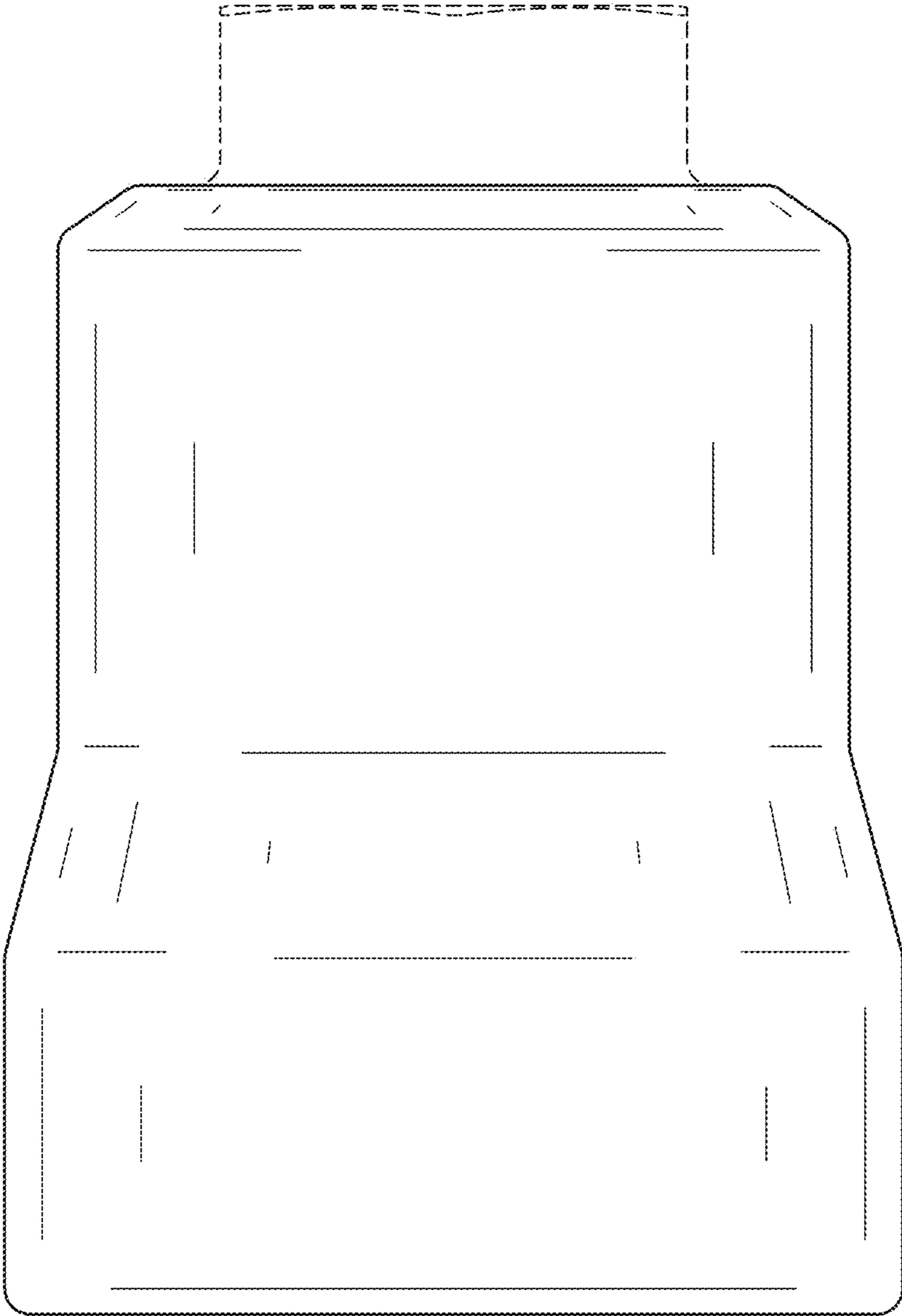


FIG. 7

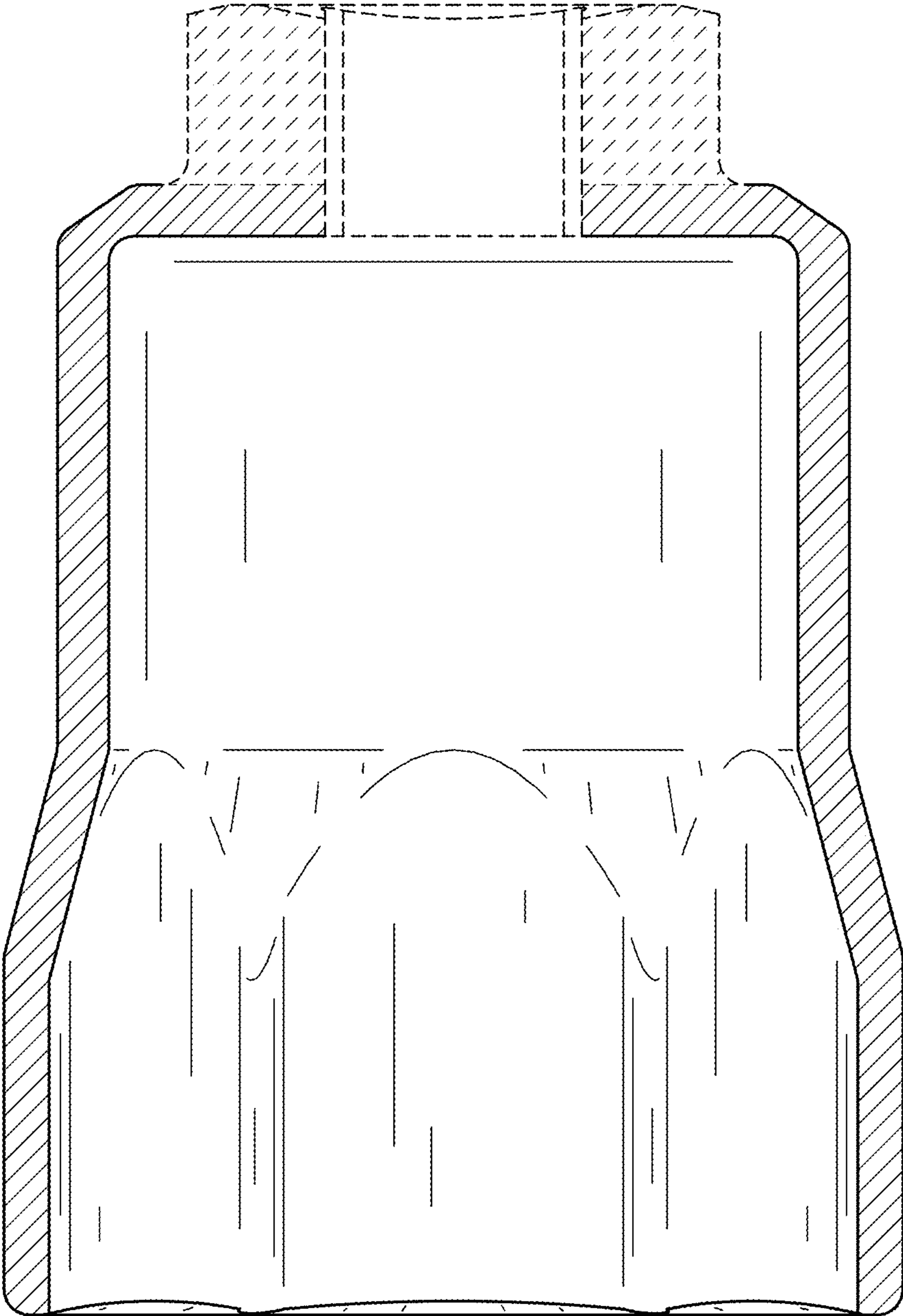


FIG. 8

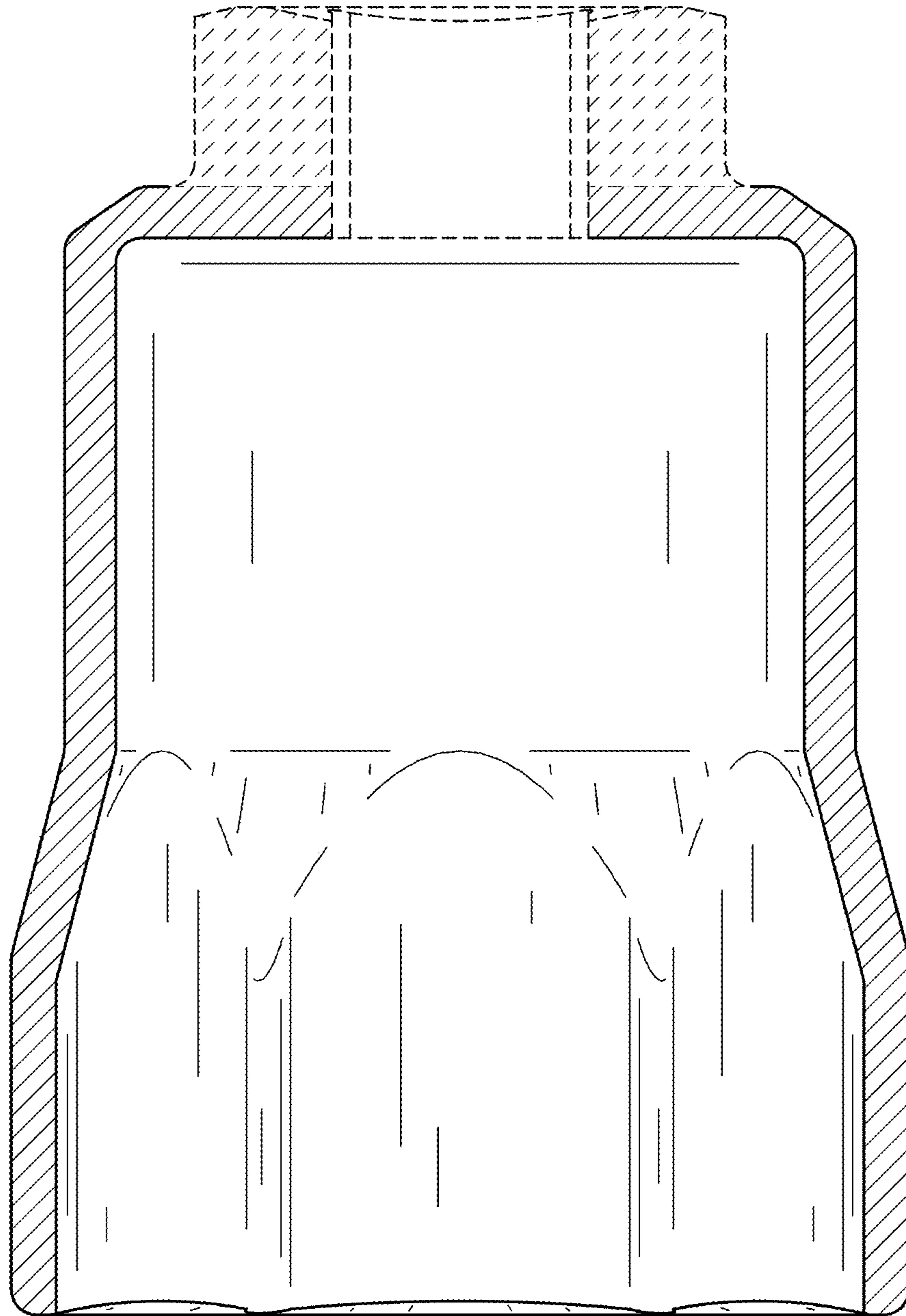


FIG. 9