



US00D907975S

(12) **United States Design Patent** (10) **Patent No.:** **US D907,975 S**  
**Norris** (45) **Date of Patent:** **\*\* Jan. 19, 2021**

(54) **ROCKER ARM TRUNNION TOOL**  
(71) Applicant: **Michael C. Norris**, Plymouth, IN (US)  
(72) Inventor: **Michael C. Norris**, Plymouth, IN (US)

(\*\*) Term: **15 Years**  
(21) Appl. No.: **29/712,356**  
(22) Filed: **Nov. 7, 2019**

(51) **LOC (13) Cl.** ..... **08-05**  
(52) **U.S. Cl.**  
USPC ..... **D8/14**  
(58) **Field of Classification Search**  
USPC ..... D8/14, 21, 29, 51  
CPC ..... B25B 27/02; B25B 27/023; B25B 27/06;  
B25B 27/14  
See application file for complete search history.

(56) **References Cited**

**U.S. PATENT DOCUMENTS**

1,357,817	A *	11/1920	Paine	.....	B25B 27/24 29/213.1
4,096,621	A *	6/1978	Berger	.....	B25B 23/00 29/525.05
5,943,922	A *	8/1999	Rolfe	.....	B25B 13/5091 81/124.2
D426,438	S *	6/2000	Ciok	.....	D8/29
D434,291	S *	11/2000	Kim	.....	D8/21
6,725,747	B2 *	4/2004	Erwin	.....	B25B 13/06 81/124.2
7,356,899	B1 *	4/2008	Jantzer	.....	B25B 27/06 29/255
D629,820	S *	12/2010	Van Ryswyk	.....	D15/139
8,256,081	B2 *	9/2012	Fridman	.....	B25B 27/062 29/255
D743,246	S *	11/2015	Levey	.....	D8/397

D851,160	S *	6/2019	Rassadin	.....	D16/230
10,792,796	B2 *	10/2020	Wilson	.....	B25B 27/24
2007/0012143	A1 *	1/2007	Tracy	.....	B25B 13/5091 81/124.2

**OTHER PUBLICATIONS**

LS Rocker Arm Trunnion Install Tool, found on Isxceleration.com website, reviewed, Feb. 21, 2018.\*

\* cited by examiner

*Primary Examiner* — Philip S Hyder  
(74) *Attorney, Agent, or Firm* — Botkin & Hall, LLP

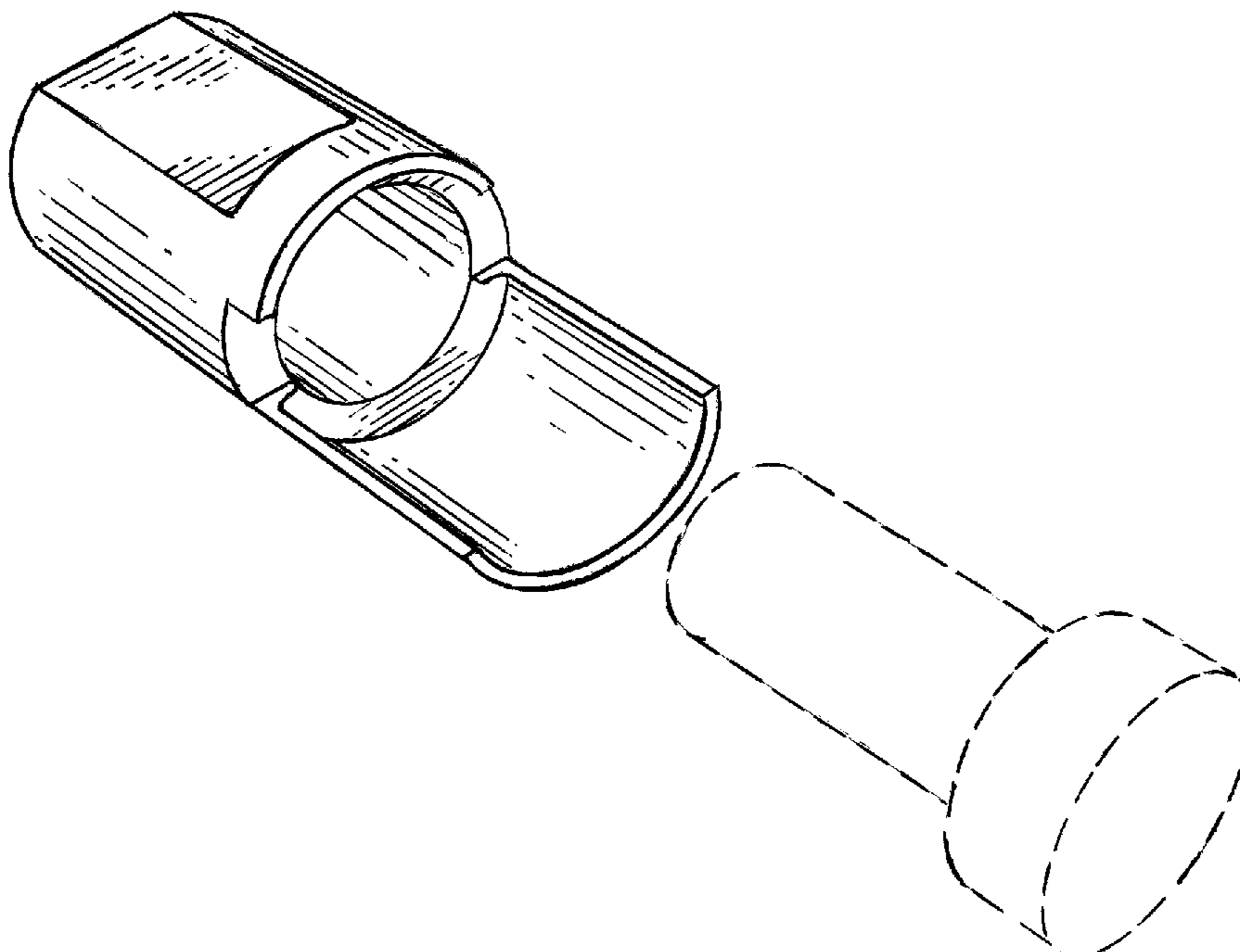
(57) **CLAIM**

The ornamental design for a rocker arm trunnion tool, as shown and described.

**DESCRIPTION**

FIG. 1 is a perspective view of the rocker arm trunnion tool; FIG. 2 is a perspective view of the rocker arm trunnion tool in use; FIG. 3 is top view of the rocker arm trunnion tool of FIG. 1; FIG. 4 is a front view of the rocker arm trunnion tool of FIG. 1, the back view being mirror symmetrical; FIG. 5 is a right side view of the rocker arm trunnion tool of FIG. 1; FIG. 6 is a left side view of the rocker arm trunnion tool of FIG. 1; and, FIG. 7 is a bottom view of the rocker arm trunnion tool. The broken lines depict portions of the rocker arm trunnion tool that form no part of the claimed design, and are for illustrative purposes only.

**1 Claim, 2 Drawing Sheets**



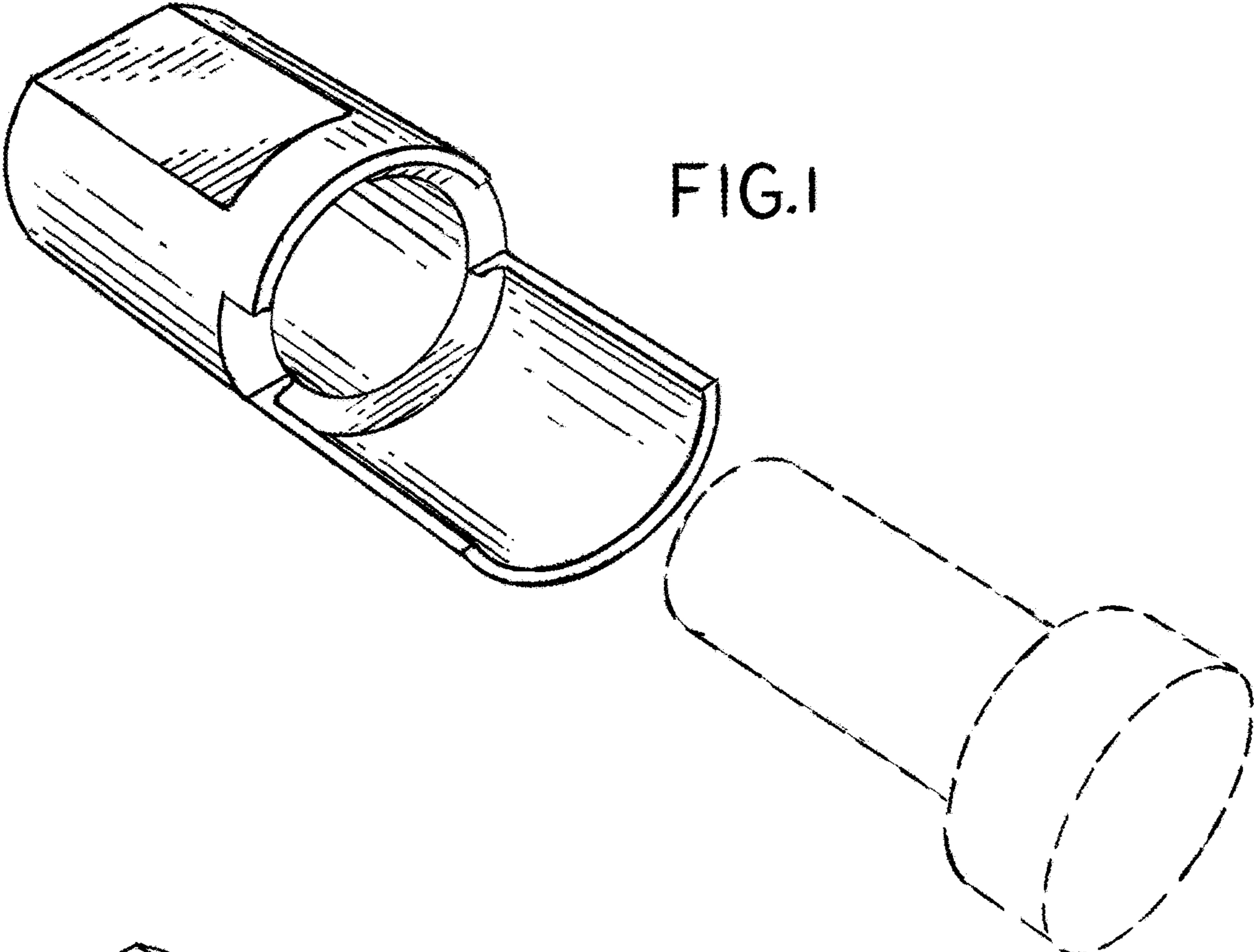


FIG.1

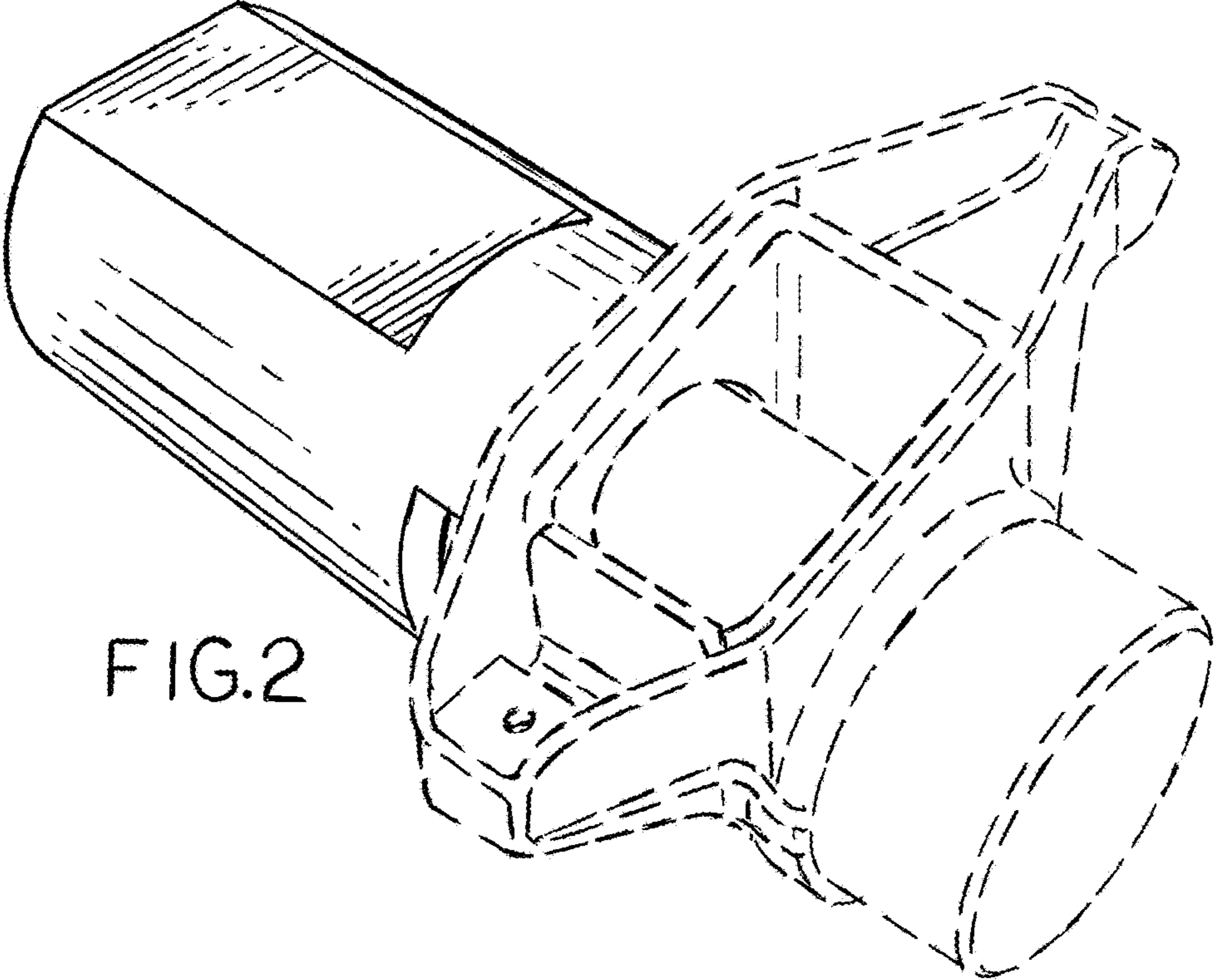


FIG.2

FIG.3

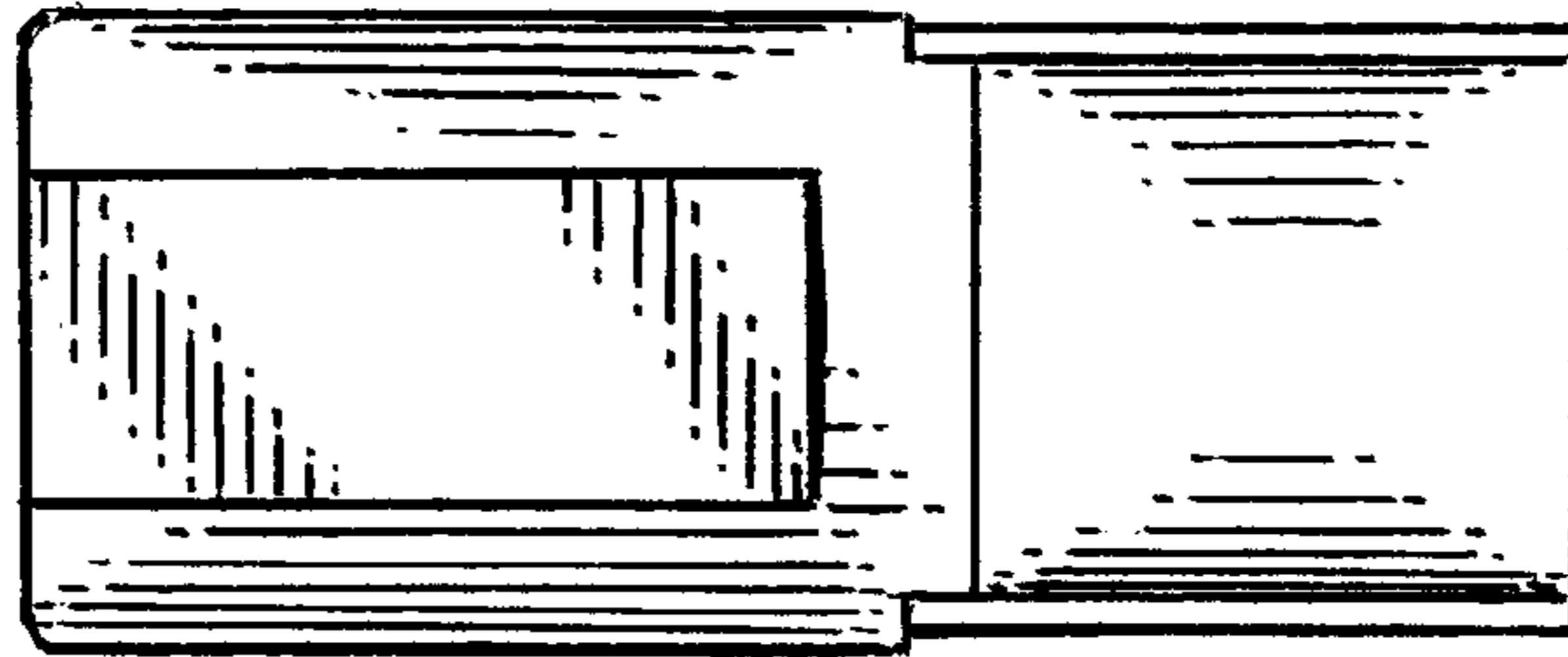


FIG.6

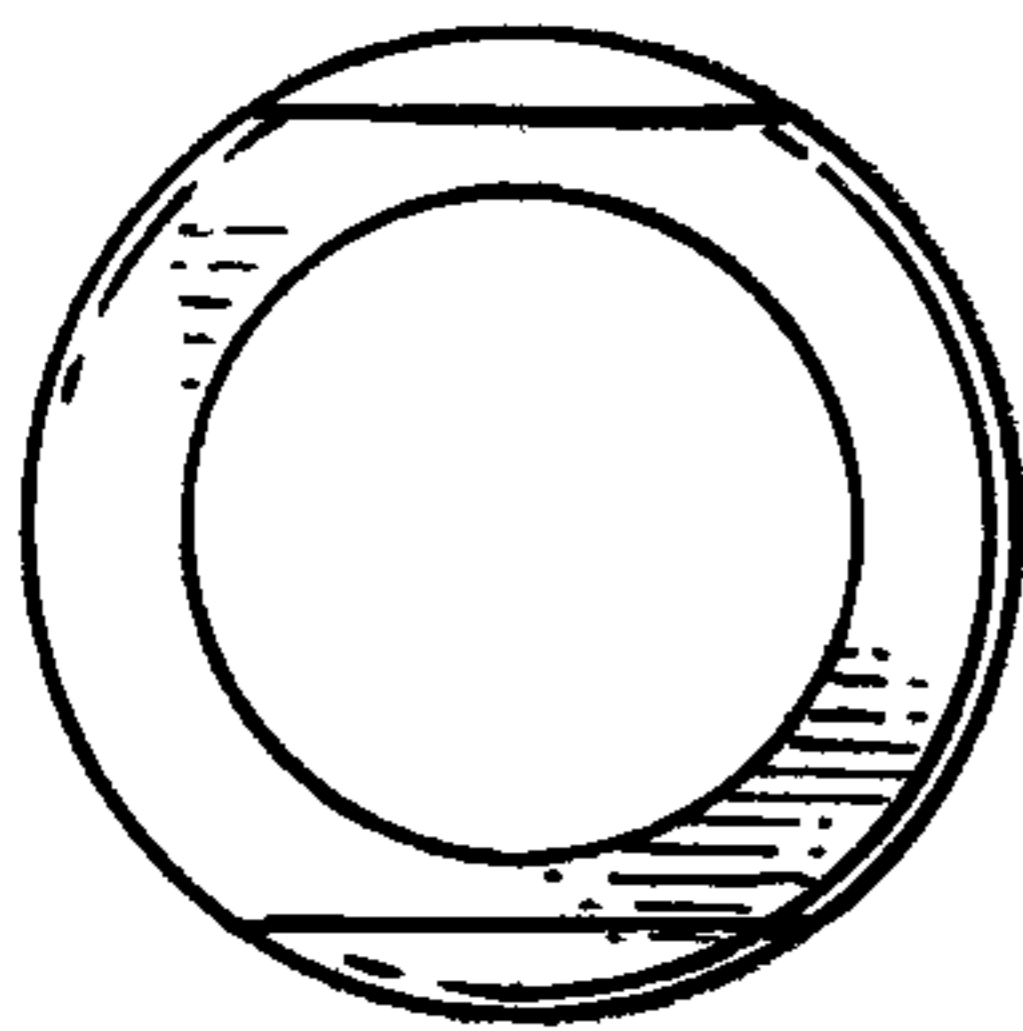


FIG.4

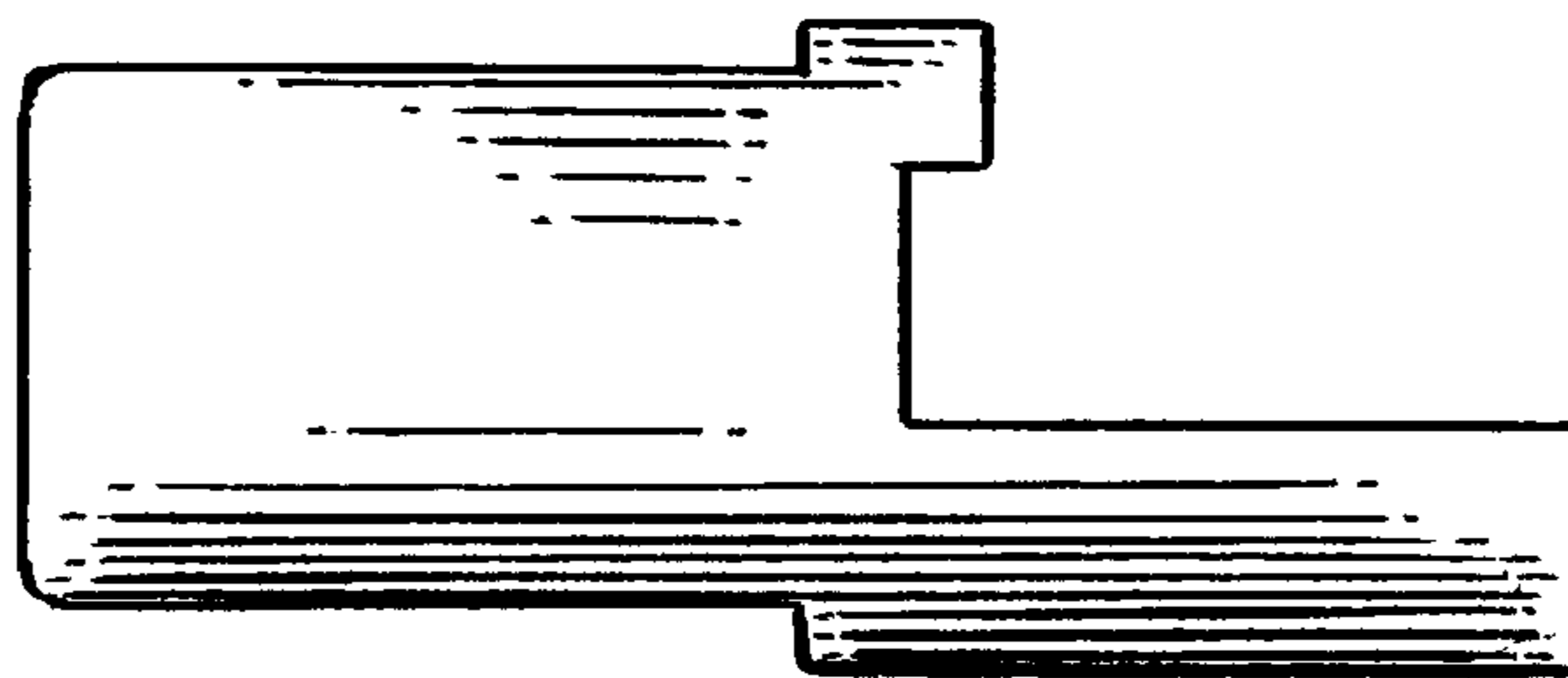


FIG.5

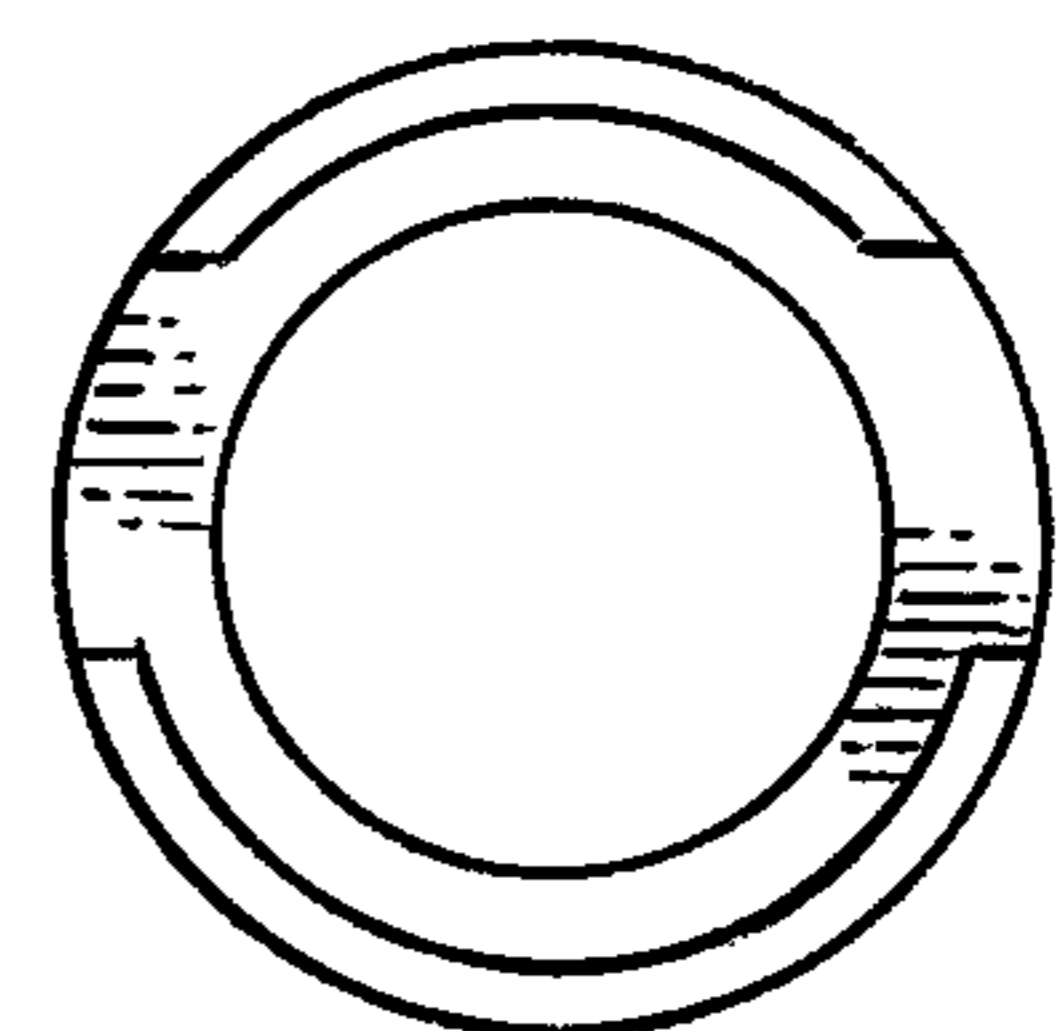


FIG.7

