



US00D907973S

(12) **United States Design Patent** (10) **Patent No.:** **US D907,973 S**
Iacona (45) **Date of Patent:** **** Jan. 19, 2021**

(54) HOUSING FOR FLEXIBLE LINE ON A ROTARY TRIMMER	D826,663 S * 8/2018 Cigarini D8/8
	D833,239 S * 11/2018 Ferguson A01D 34/4166
	D833,838 S * 11/2018 Cigarini D8/8
(71) Applicant: KPI—Kwik Products, Inc. , Phoenix, AZ (US)	D836,412 S * 12/2018 Cigarini D8/8
	D854,895 S * 7/2019 Cigarini D8/8
(72) Inventor: Fernando Iacona , Paradise Valley, AZ (US)	2008/0010836 A1 * 1/2008 Iacona A01D 34/4168
	2008/0083120 A1 * 4/2008 Alliss A01D 34/4166
(73) Assignee: KPI—Kiwk Products, Inc. , Phoenix, AZ (US)	2012/0260508 A1 * 10/2012 Duvall A01D 34/4166
	2015/0366131 A1 * 12/2015 Skinner A01D 34/4166
(**) Term: 15 Years	30/122
	30/276

* cited by examiner

(21) Appl. No.: **29/666,030**

(22) Filed: **Oct. 9, 2018**

(51) **LOC (13) Cl.** **08-01**

(52) **U.S. Cl.**
USPC **D8/8**

(58) **Field of Classification Search**
USPC D8/1, 8, 383; D15/17
CPC A01D 34/01; A01D 34/412; A01D 34/416;
A01D 34/015; A01D 34/4161; A01D
34/4165; A01D 34/4166; A01D 34/4167;
A01D 34/84; A01G 3/062; B25F 5/02;
B25F 5/021
See application file for complete search history.

Primary Examiner — Sandra Snapp
Assistant Examiner — Ieisha N Price
(74) *Attorney, Agent, or Firm* — Wood, Phillips, Katz,
Clark & Mortimer

(57) **CLAIM**

The ornamental design for a housing for flexible line on a rotary trimmer, as shown and described.

DESCRIPTION

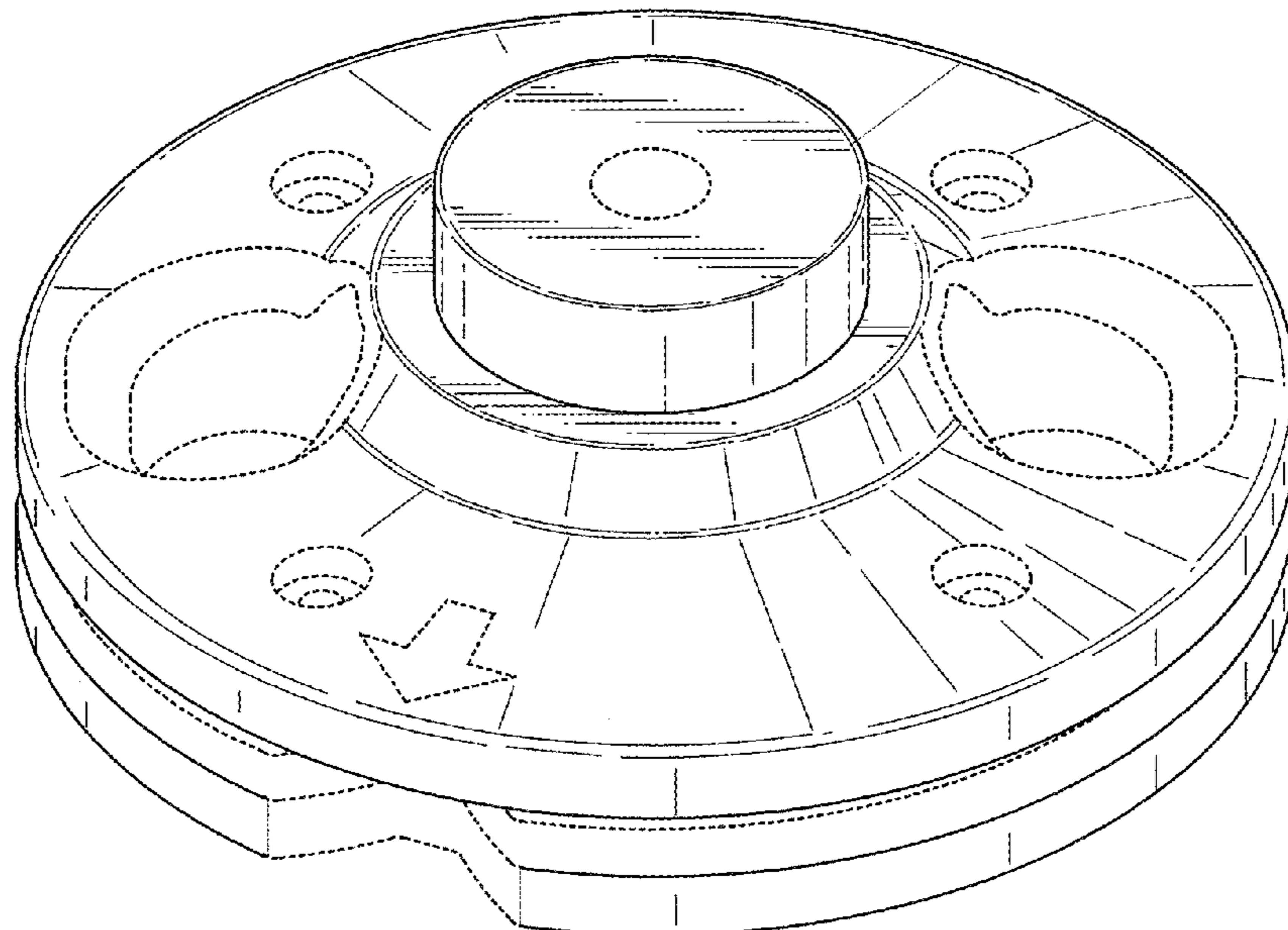
FIG. 1 is a top and front perspective view thereof;
FIG. 2 is a front elevation view thereof;
FIG. 3 is a right side elevation view thereof;
FIG. 4 is a top view thereof; and,
FIG. 5 is a bottom view thereof.
The left side elevation view is identical to the right side elevation view.
The rear elevation view is identical to the front elevation view.
The broken lines in the drawings illustrate portions of the housing for flexible line on a rotary trimmer and form no part of the claimed design.

(56) **References Cited**

U.S. PATENT DOCUMENTS

D303,067 S * 8/1989 Pinson D8/8
D362,600 S * 9/1995 Kiyooka D8/8
D479,961 S * 9/2003 Iacona D8/8
D597,804 S * 8/2009 Alliss D8/8
D598,254 S * 8/2009 Alliss D8/8
D720,970 S * 1/2015 Hermann D8/8
D727,695 S * 4/2015 Tinius D15/17
D813,000 S * 3/2018 Cigarini D8/8
D826,013 S * 8/2018 Cigarini D8/8

1 Claim, 3 Drawing Sheets



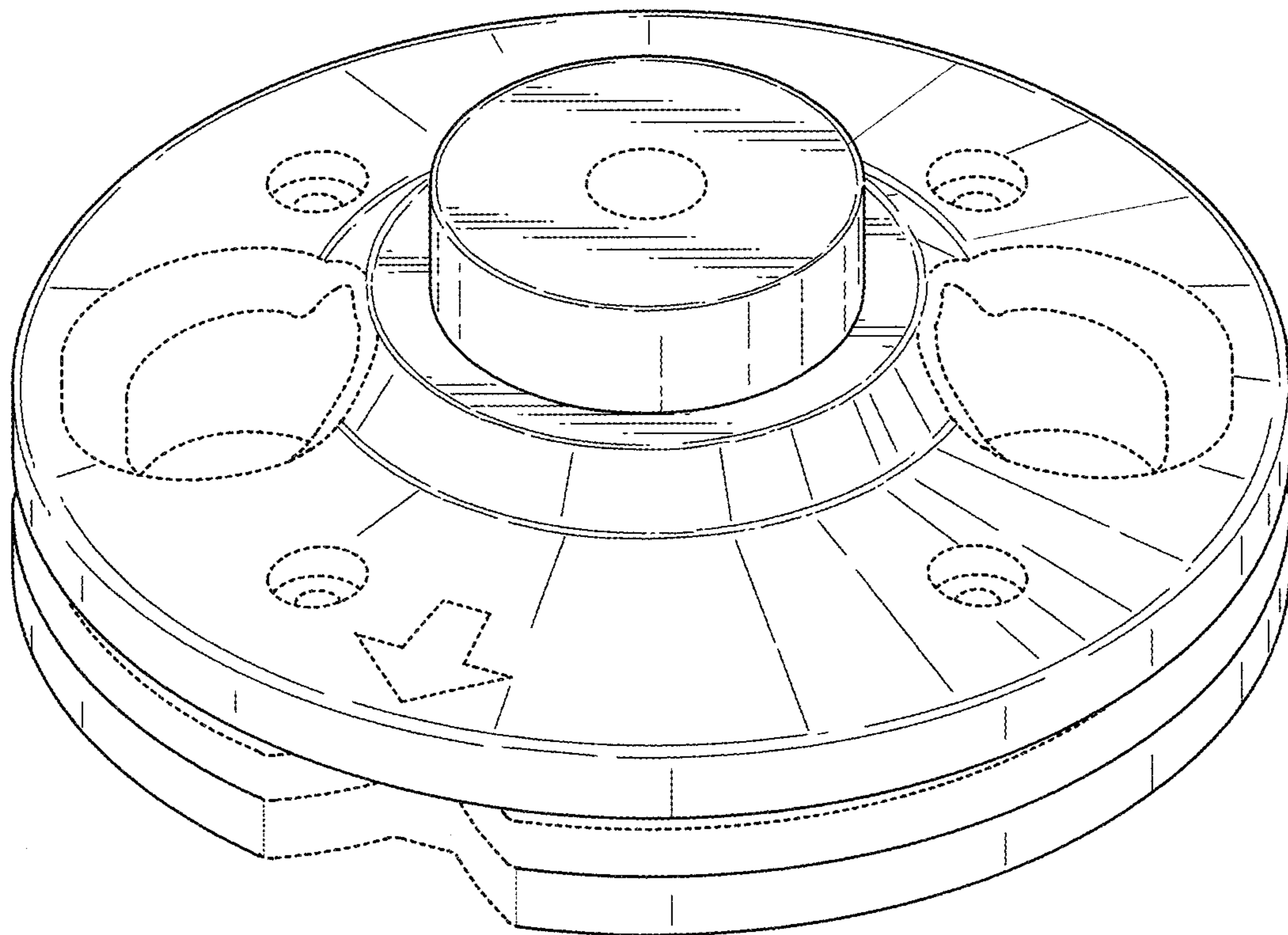


Fig. 1

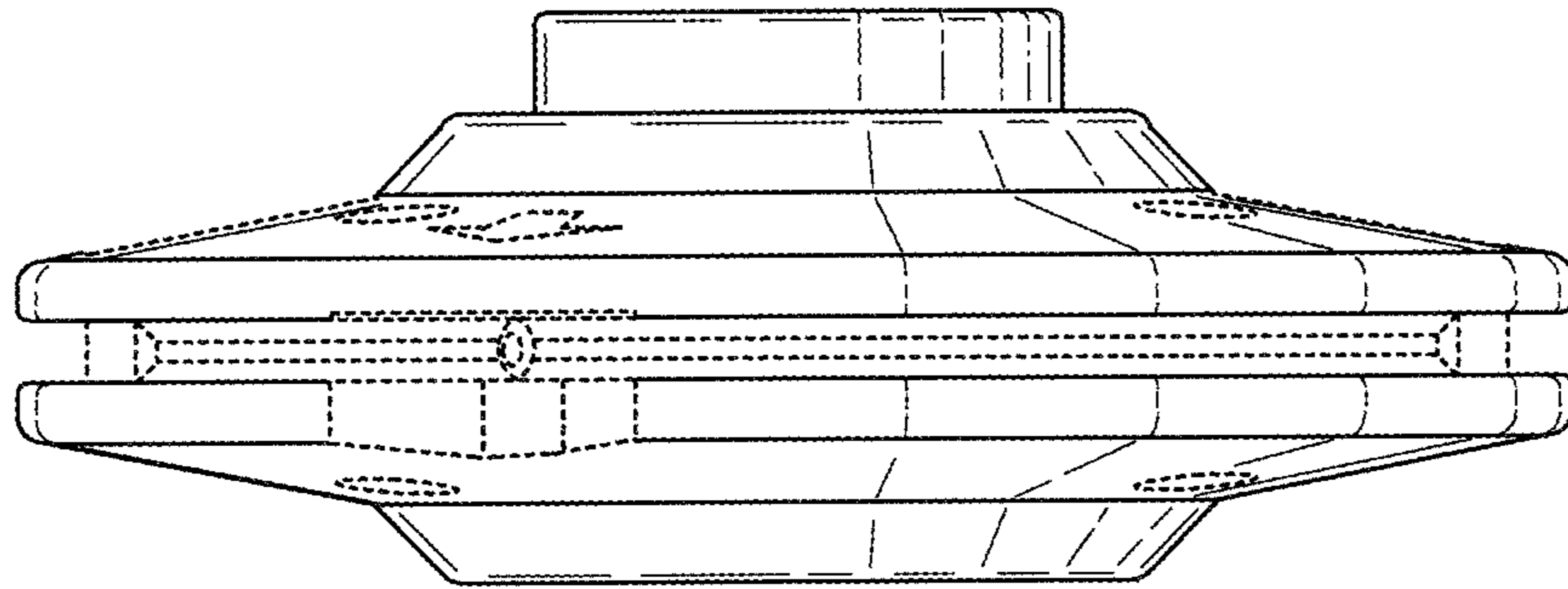


Fig. 2

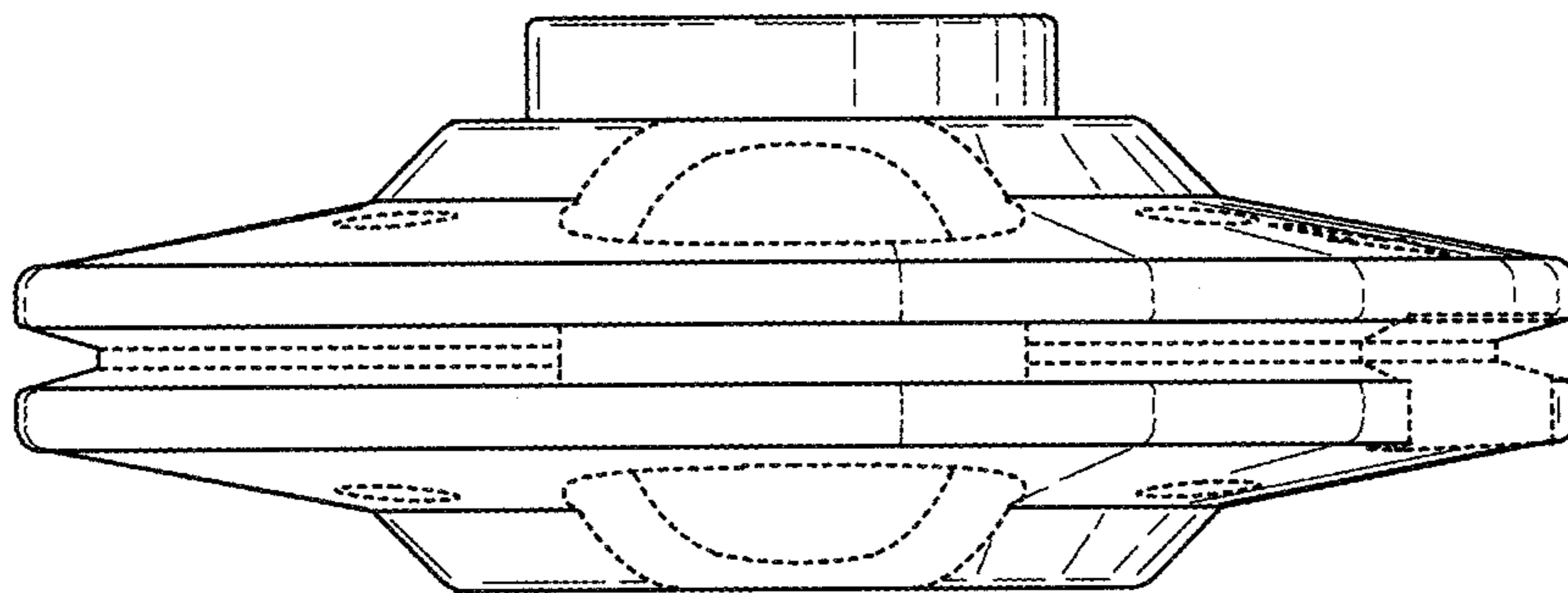


Fig. 3

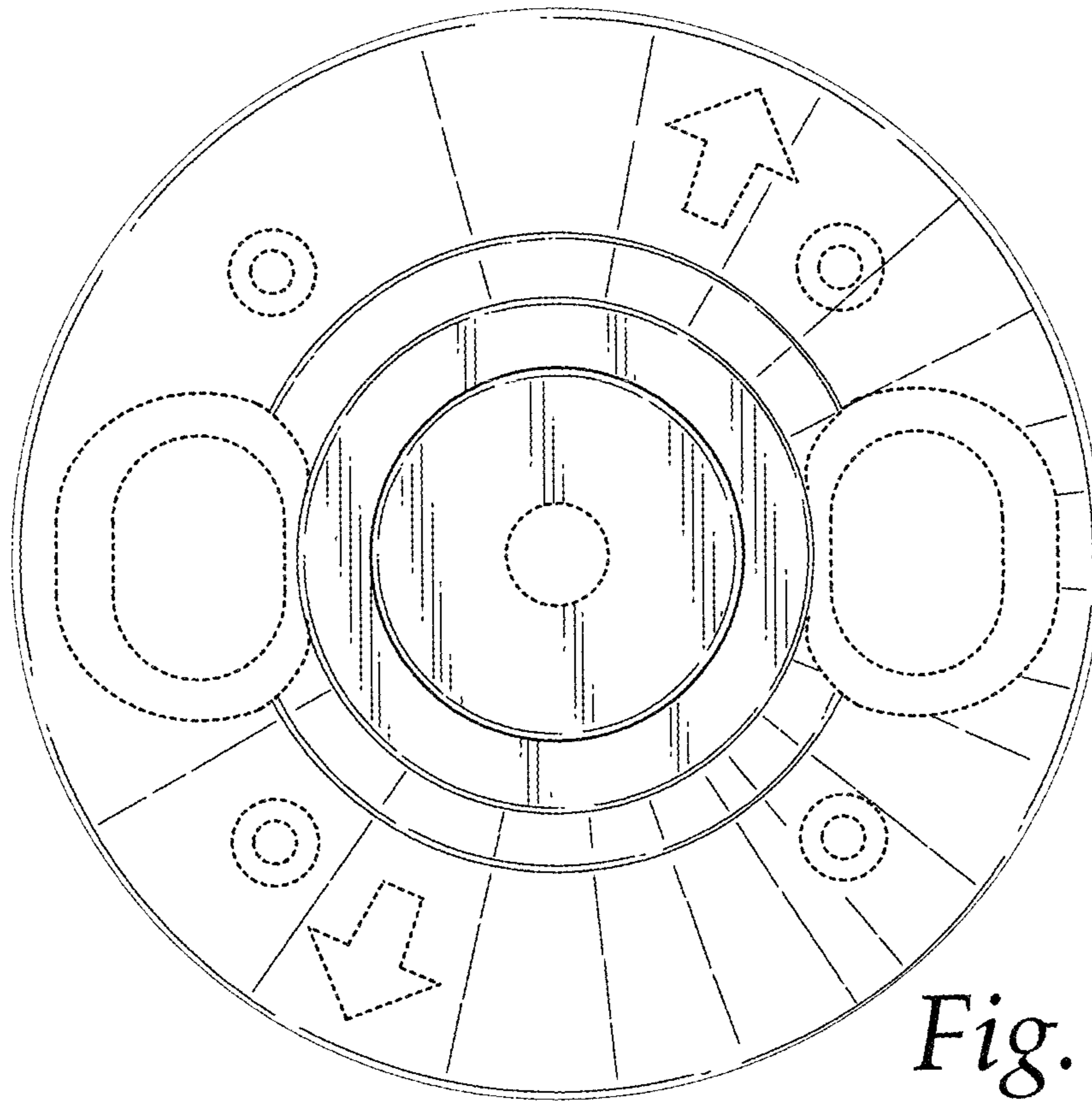


Fig. 4

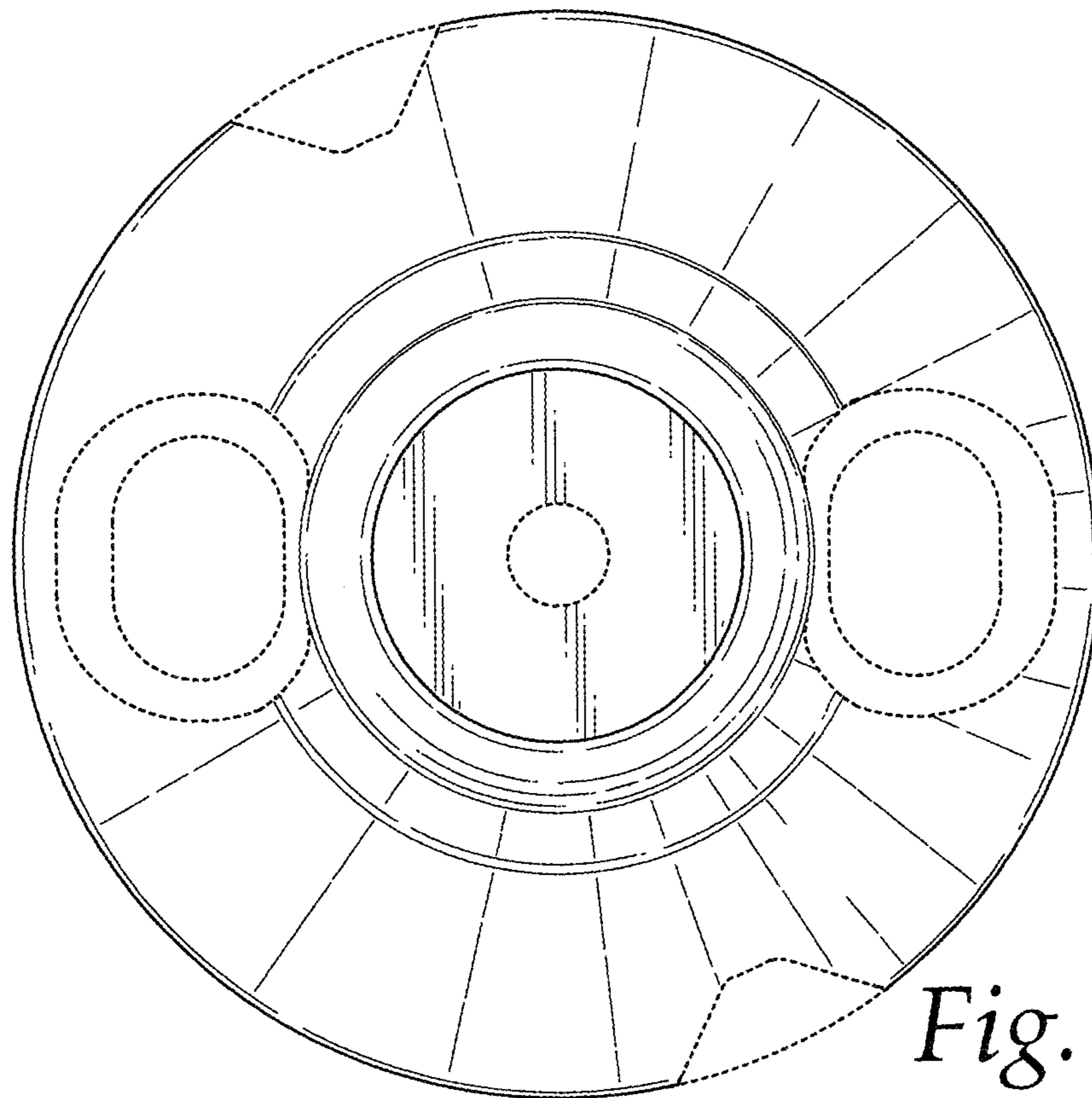


Fig. 5

UNITED STATES PATENT AND TRADEMARK OFFICE
CERTIFICATE OF CORRECTION

PATENT NO. : D907,973 S
APPLICATION NO. : 29/666030
DATED : January 19, 2021
INVENTOR(S) : Fernando Iacona

Page 1 of 1

It is certified that error appears in the above-identified patent and that said Letters Patent is hereby corrected as shown below:

On the Title Page

Item [73], insert -- KPI - Kwik Products, Inc., Phoenix, AZ (US) --

Signed and Sealed this
Twenty-fifth Day of May, 2021



Drew Hirshfeld
*Performing the Functions and Duties of the
Under Secretary of Commerce for Intellectual Property and
Director of the United States Patent and Trademark Office*