



US00D907972S

(12) **United States Design Patent** (10) **Patent No.:** **US D907,972 S**
Wang (45) **Date of Patent:** **** Jan. 19, 2021**

(54) **WINE GLASS HOLDER**

(71) Applicant: **Qing Wang**, Jinhua (CN)

(72) Inventor: **Qing Wang**, Jinhua (CN)

(**) Term: **15 Years**

(21) Appl. No.: **29/699,389**

(22) Filed: **Jul. 25, 2019**

(51) **LOC (13) Cl.** **06-04**

(52) **U.S. Cl.**
USPC **D7/701**

(58) **Field of Classification Search**

USPC D7/701, 707, 708; D6/682.2, 552.2, 525,
D6/527, 528, 534, 535
CPC A47B 73/00; A47B 73/006; A47B 73/004;
A47B 13/16; A47G 23/0641; A47G
23/06; A47G 23/02; A47G 23/0208;
A47G 23/0241; A47F 5/16; A47F 7/28;
A47F 7/283; B25H 3/04

See application file for complete search history.

(56) **References Cited**

U.S. PATENT DOCUMENTS

1,885,483 A * 11/1932 Samuelson A47G 23/0608
206/553
D100,444 S * 7/1936 Sherrick D6/682.2

D231,594 S * 5/1974 Demers D7/701
D505,841 S * 6/2005 Fiedeler D6/525
D679,117 S * 4/2013 Werner D6/682.4
9,936,856 B1 * 4/2018 Eilmus A47L 19/04
2001/0003332 A1 * 6/2001 Ventnor A47K 1/09
211/70.6

* cited by examiner

Primary Examiner — Terry A Wallace

(74) *Attorney, Agent, or Firm* — ScienBiziP, P.C.

(57) **CLAIM**

The ornamental design for a wine glass holder, as shown and described.

DESCRIPTION

FIG. 1 is a first perspective view of a wine glass holder, showing my design.

FIG. 2 is a front elevation view thereof.

FIG. 3 is a rear elevation view thereof.

FIG. 4 is a left side elevation view thereof.

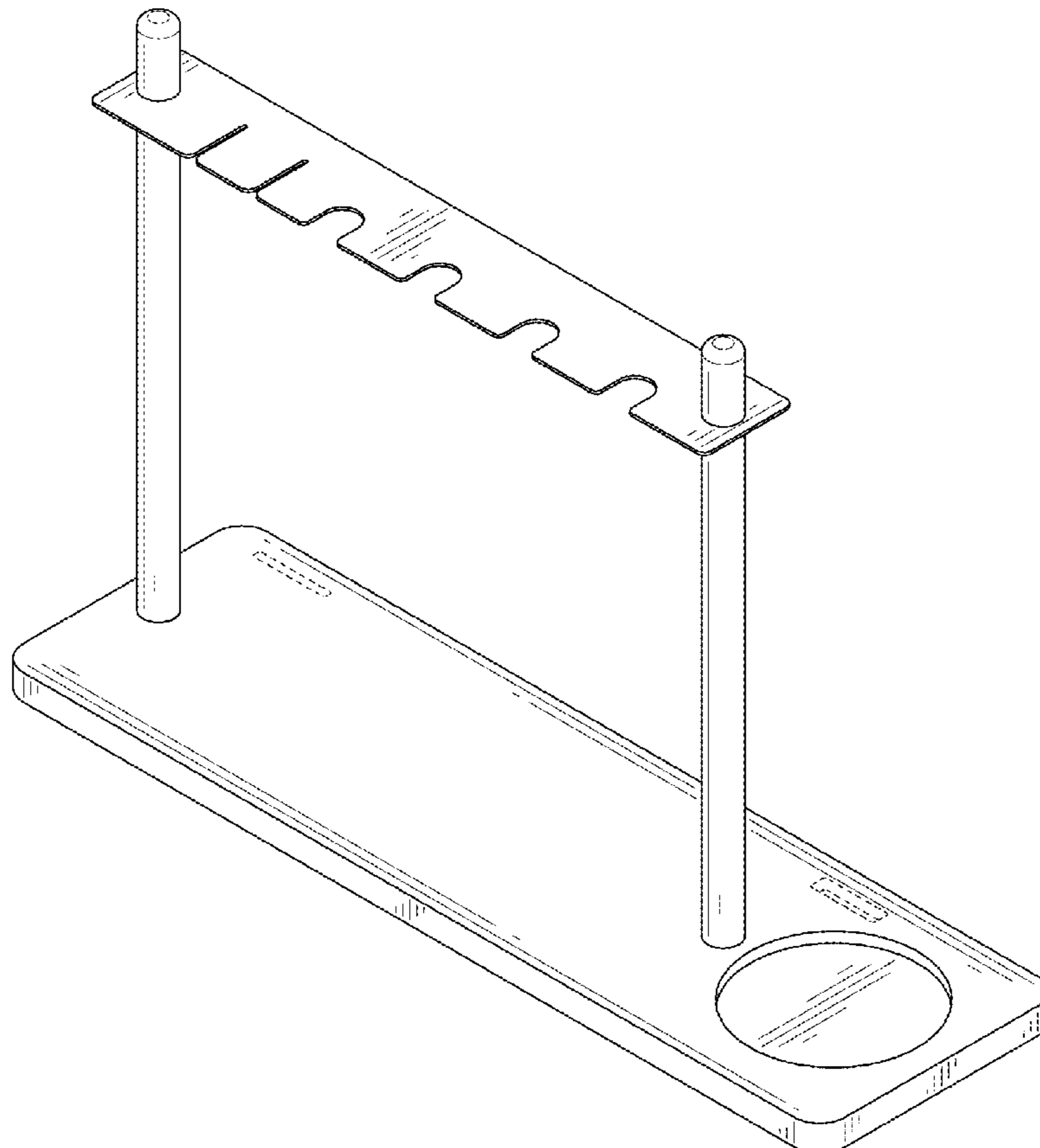
FIG. 5 is a right side elevation view thereof.

FIG. 6 is a top plan view thereof; and,

FIG. 7 is a bottom plan view thereof.

The details shown in broken lines form no part of the claimed design.

1 Claim, 7 Drawing Sheets



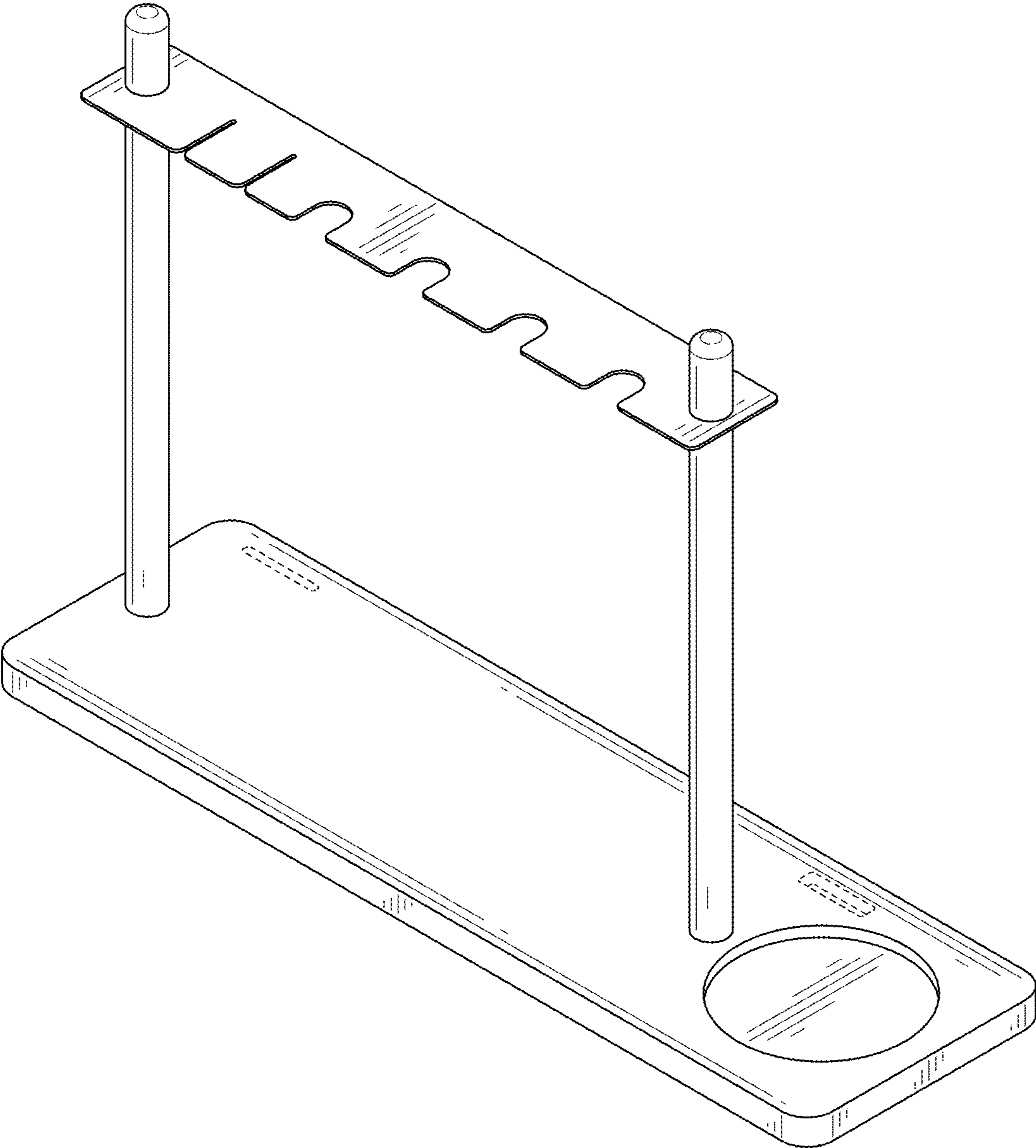


FIG. 1

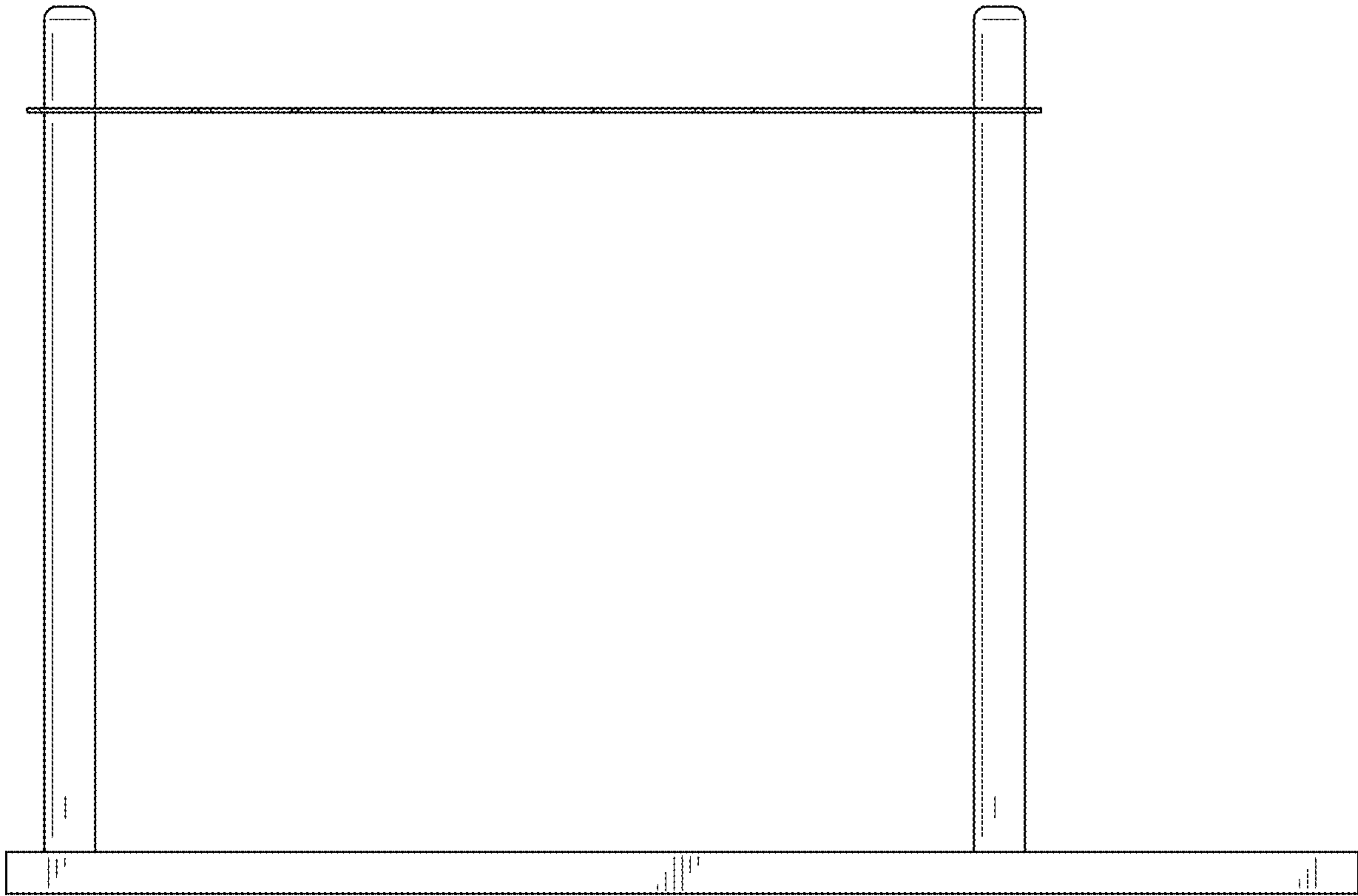


FIG. 2

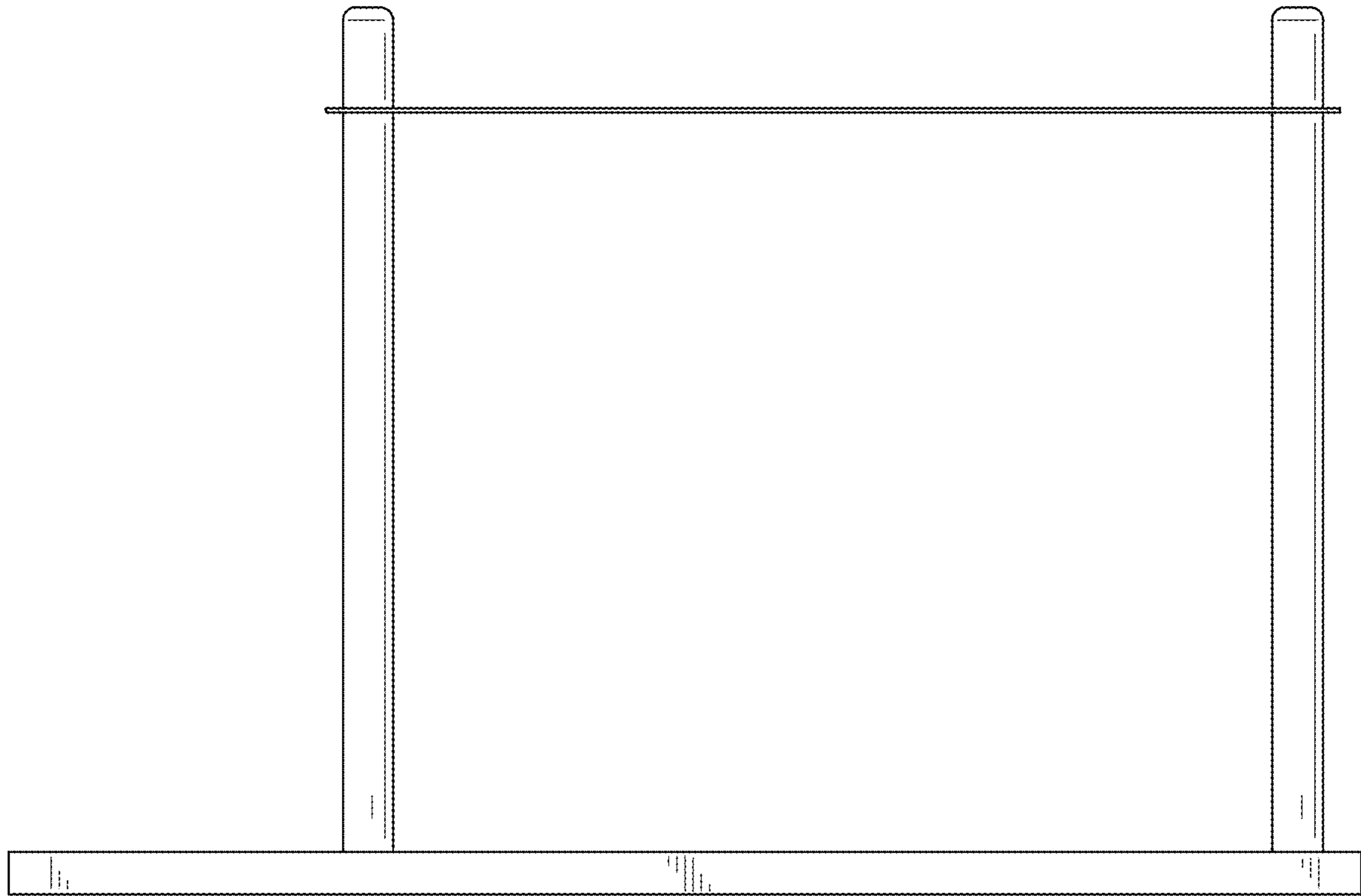


FIG. 3

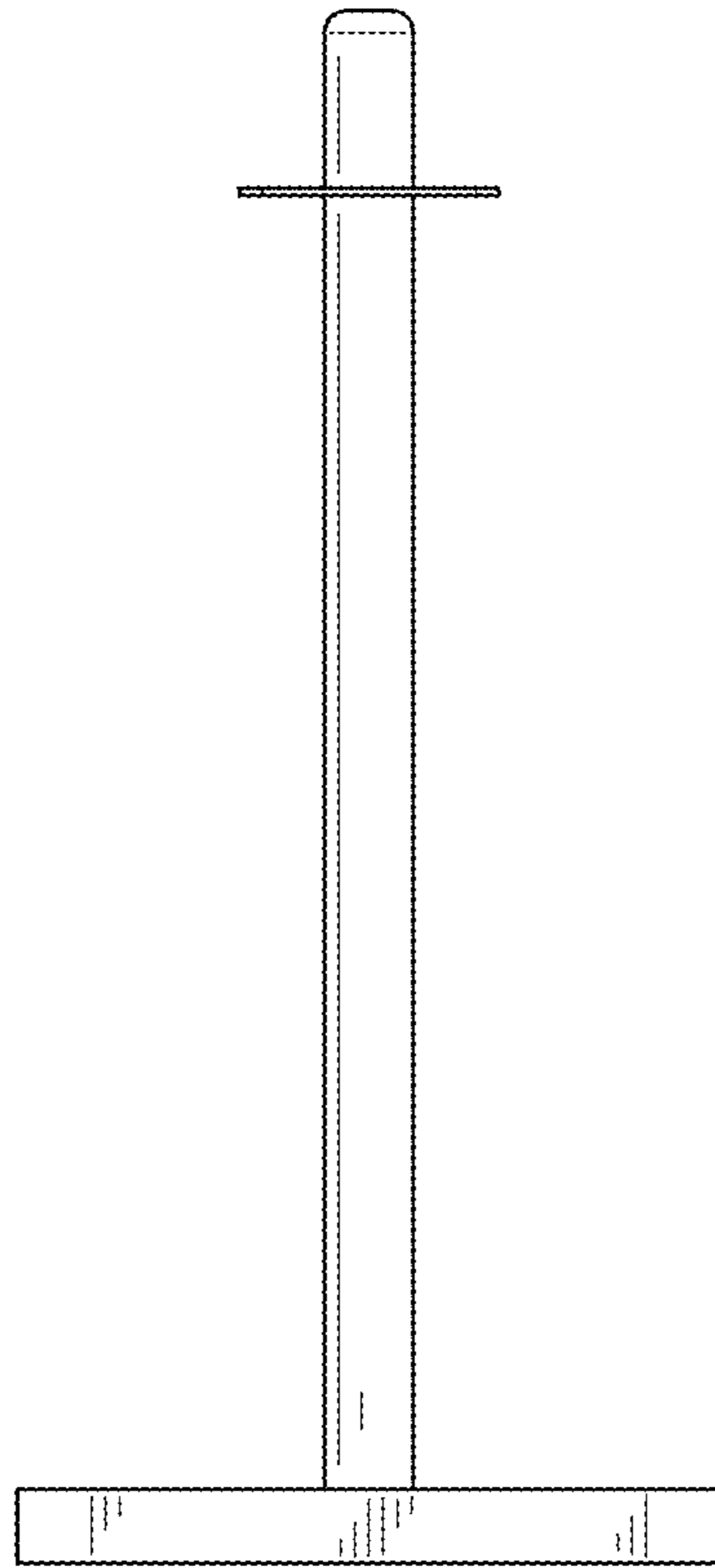


FIG. 4

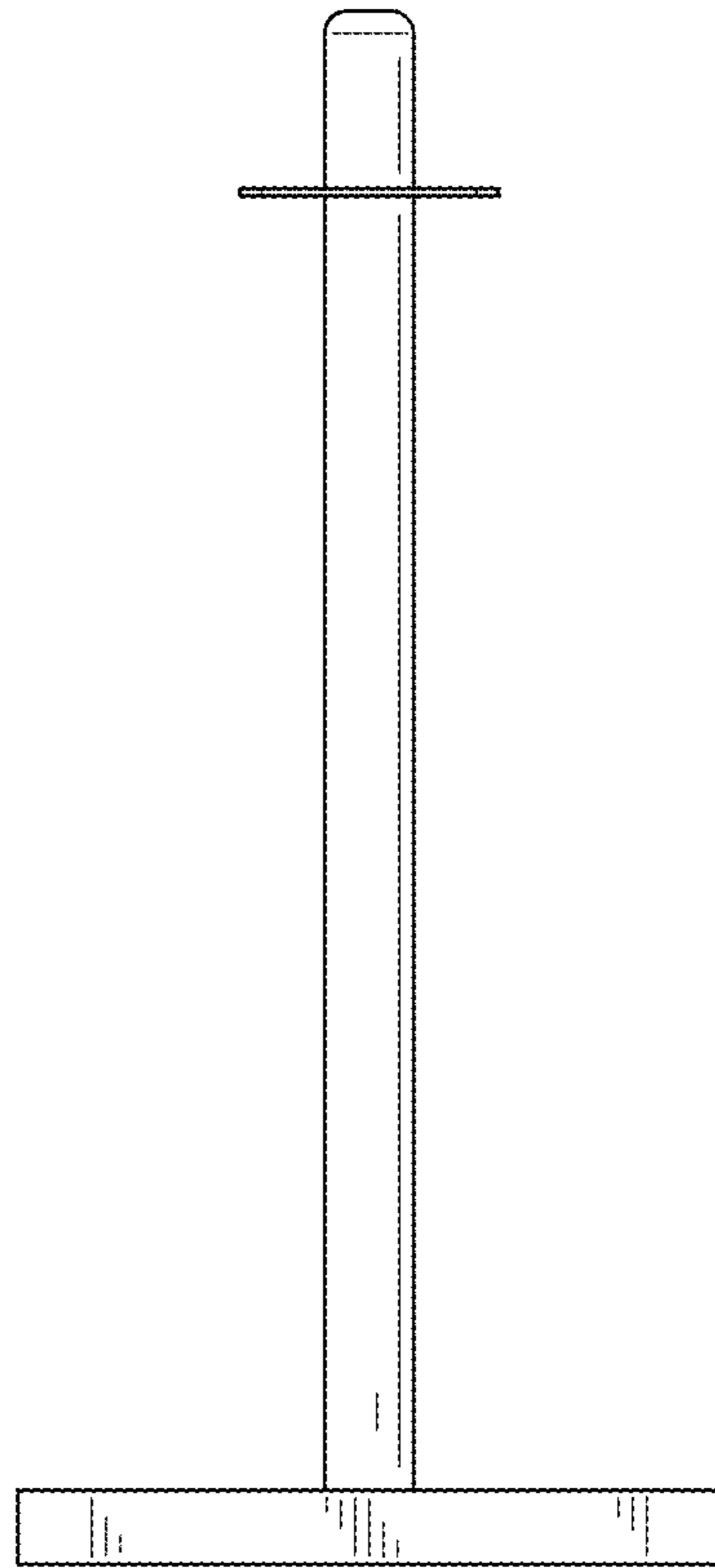


FIG. 5

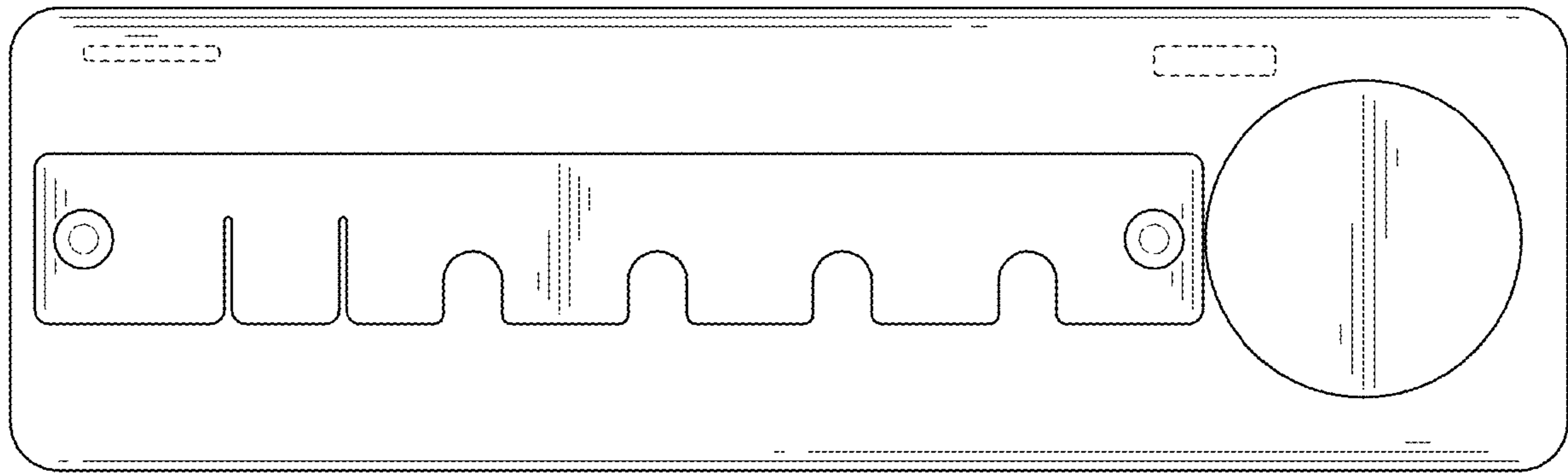


FIG. 6

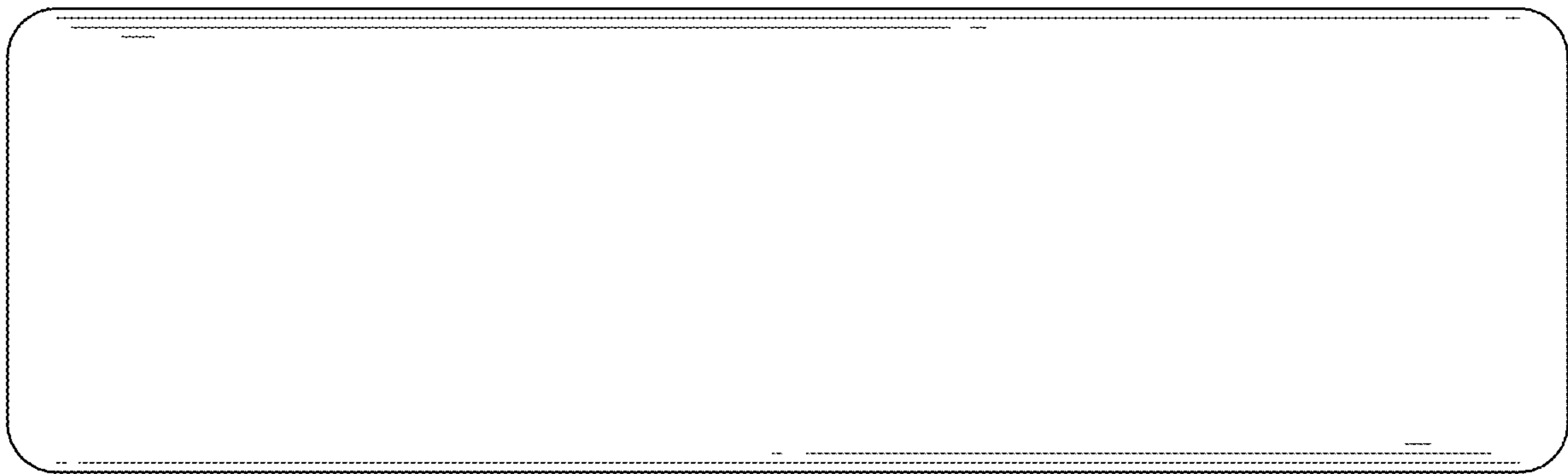


FIG. 7