



US00D907968S

(12) **United States Design Patent** (10) **Patent No.:** **US D907,968 S**
Sullivan et al. (45) **Date of Patent:** **** *Jan. 19, 2021**

(54) **INSULATED BAG**
(71) Applicant: **YETI Coolers, LLC**, Austin, TX (US)
(72) Inventors: **Derek G. Sullivan**, Austin, TX (US);
Roy Joseph Seiders, Austin, TX (US);
Andrew M. Bosway, Austin, TX (US);
Karl Fritzsche, Seattle, WA (US)

3,834,044 A 9/1974 McAusland et al.
4,143,695 A 3/1979 Hoehn
D265,948 S 8/1982 Stark
D282,602 S * 2/1986 Allen D3/287
D284,620 S 7/1986 Calton
4,805,776 A 2/1989 Namgyal et al.
4,826,060 A 5/1989 Hollingsworth
5,509,279 A 4/1996 Brown et al.
(Continued)

(73) Assignee: **YETI Coolers, LLC**, Austin, TX (US)

FOREIGN PATENT DOCUMENTS

(*) Notice: This patent is subject to a terminal disclaimer.

WO 2017197230 A1 11/2017

(**) Term: **15 Years**

OTHER PUBLICATIONS

(21) Appl. No.: **29/630,763**

Jul. 3, 2019—(CN) First Office Action—App. No. 201780042659.5—MM.

(22) Filed: **Dec. 22, 2017**

(Continued)

Related U.S. Application Data

Primary Examiner — April Rivas

(63) Continuation of application No. 29/566,696, filed on Jun. 1, 2016, now Pat. No. Des. 805,851.

(74) *Attorney, Agent, or Firm* — Banner & Witcoff, Ltd.

(51) **LOC (13) Cl.** **07-99**

(57) **CLAIM**

(52) **U.S. Cl.**
USPC **D7/607**; D3/289

The ornamental design for an insulated bag, as shown and described.

(58) **Field of Classification Search**

DESCRIPTION

USPC D7/605, 607, 608, 387; D3/273, 274, D3/277, 276, 284, 289, 287, 301, 304, D3/315, 318, 902, 314; D6/601
CPC .. A45C 5/04; A45C 5/045; A45C 5/08; A45C 7/0077; A45C 11/20; A45C 2200/20; A45C 5/14; A45C 7/0036; A45C 9/00; A45C 13/02; A45C 15/00; A45C 2003/008; A45C 3/14; A45C 7/0068; F25D 3/08; B62B 2202/52; A47G 9/1045
See application file for complete search history.

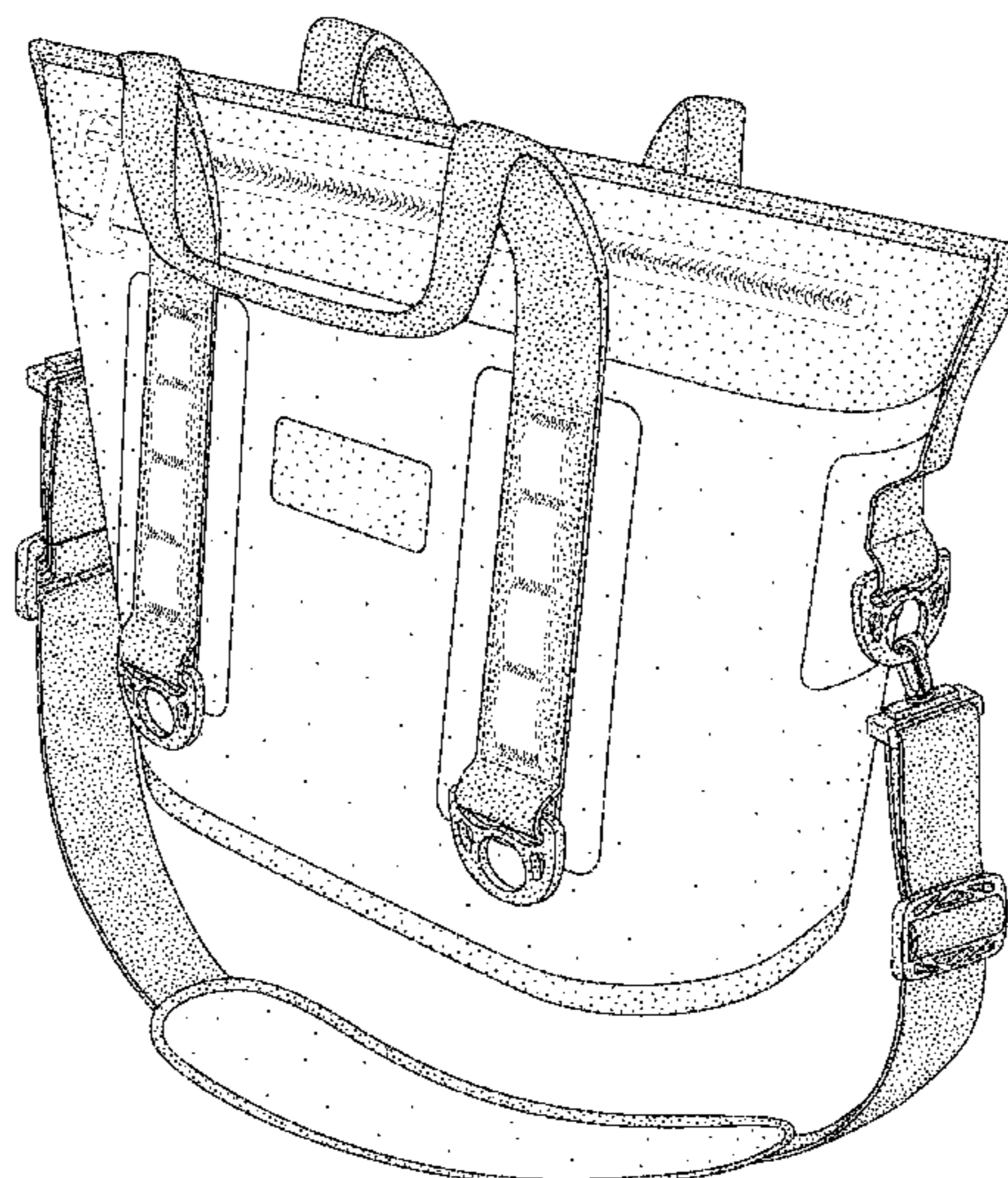
FIG. 1 is a top, front, right perspective view of an insulated bag showing our new design;
FIG. 2 is a front view thereof;
FIG. 3 is a rear view thereof;
FIG. 4 is a right side view thereof;
FIG. 5 is a left side view thereof;
FIG. 6 is a top view thereof; and,
FIG. 7 is a bottom view thereof.
The broken lines, and the shaded areas within, illustrate portions of the insulated bag and form no part of the claimed design. The contrast in shading represents a contrast in appearance only and does not represent any particular color, material, texture or finish.

(56) **References Cited**

U.S. PATENT DOCUMENTS

2,960,136 A 11/1960 Ziff
3,157,303 A 11/1964 Siegel

1 Claim, 6 Drawing Sheets



(56)

References Cited

U.S. PATENT DOCUMENTS

5,553,759 A 9/1996 McMaster et al.
D382,771 S * 8/1997 Mogil D7/607
5,732,867 A 3/1998 Perkins et al.
5,779,089 A 7/1998 West
D409,376 S 5/1999 Golenz et al.
5,954,253 A 9/1999 Swetish
6,048,099 A 4/2000 Muffett et al.
6,129,254 A 10/2000 Yu
D437,110 S 2/2001 Iverson et al.
6,209,343 B1 4/2001 Owen
D447,632 S 9/2001 Gisser
D457,307 S 5/2002 Pukall et al.
6,626,342 B1 9/2003 Gleason
D535,099 S 1/2007 Johansson et al.
D539,033 S * 3/2007 Cassegrain D3/246
D547,941 S 8/2007 Lucena
D603,606 S 11/2009 Wang
D662,316 S 6/2012 Nitkin
D717,041 S 11/2014 Pulliam
8,875,964 B1 11/2014 Vanderberg
8,893,940 B2 11/2014 Green et al.
D732,295 S 6/2015 Aafjes
9,272,475 B2 3/2016 Ranade et al.
D756,638 S * 5/2016 Frisoni D3/246
9,375,061 B2 6/2016 Mosee
D764,873 S 8/2016 Collie
9,408,445 B2 8/2016 Mogil et al.
D765,395 S 9/2016 Sanz
D768,981 S 10/2016 Kliot
D768,987 S 10/2016 Blumenfeld
D785,325 S * 5/2017 Samrelius D3/246
D786,562 S 5/2017 Seiders et al.
D789,080 S 6/2017 Caffagni
D793,089 S 8/2017 Jackson
D800,443 S 10/2017 Burton et al.
9,796,517 B2 10/2017 Seiders et al.
D805,851 S * 12/2017 Sullivan D7/607
D808,173 S 1/2018 Seiders et al.
D808,175 S 1/2018 Seiders et al.
D808,655 S 1/2018 Seiders et al.
D808,730 S * 1/2018 Sullivan D7/607
D811,082 S 2/2018 Lehan
D811,746 S 3/2018 Seiders et al.
D813,539 S 3/2018 Van Assche
D814,879 S 4/2018 Larson et al.
D817,106 S 5/2018 Larson et al.
D817,107 S 5/2018 Larson et al.
D819,966 S 6/2018 Yu
D819,967 S 6/2018 Carter et al.
D821,825 S * 7/2018 Sullivan D7/607
D822,987 S 7/2018 Seiders et al.
D822,997 S 7/2018 Seiders et al.
D823,601 S 7/2018 Seiders et al.
D823,602 S 7/2018 Seiders et al.
10,029,842 B2 7/2018 Seiders et al.
D824,660 S 8/2018 Ross
D824,666 S 8/2018 Carter et al.
D824,671 S 8/2018 Pennington
D824,731 S * 8/2018 Sullivan D7/607
D827,299 S 9/2018 Vickery
D828,112 S 9/2018 Furneaux et al.
D828,728 S 9/2018 Jacobsen
D829,244 S 9/2018 Sullivan et al.
D830,048 S 10/2018 McQueeny
D830,132 S * 10/2018 Sullivan D7/607
D830,133 S * 10/2018 Sullivan D7/607
D830,134 S 10/2018 Sullivan et al.

D832,653 S 11/2018 Waskow et al.
D834,817 S 12/2018 Hoppe et al.
D834,895 S 12/2018 Triska et al.
D835,473 S 12/2018 Jacobsen
D835,949 S 12/2018 Triska et al.
D836,996 S 1/2019 Jacobsen
D836,997 S 1/2019 Jacobsen
D836,998 S 1/2019 Jacobsen
D836,999 S 1/2019 Jacobsen
D837,000 S 1/2019 Jacobsen
D837,001 S 1/2019 Jacobsen
D839,682 S 2/2019 Jacobsen
D840,194 S 2/2019 Fumeaux et al.
D840,689 S 2/2019 Seiders et al.
D841,325 S 2/2019 Buynar
D844,975 S 4/2019 Munie et al.
D844,976 S 4/2019 Munie et al.
D844,977 S 4/2019 Munie et al.
D844,978 S 4/2019 Munie et al.
D844,979 S 4/2019 Munie et al.
D844,992 S 4/2019 Seiders et al.
D845,625 S 4/2019 Barlier
D846,275 S 4/2019 Barlier
D847,500 S 5/2019 Lagerfeld
D848,219 S 5/2019 Munie et al.
D848,220 S 5/2019 Munie et al.
D848,221 S 5/2019 Munie et al.
D848,222 S 5/2019 Munie et al.
D848,223 S 5/2019 Munie et al.
D848,798 S 5/2019 Munie et al.
D849,486 S 5/2019 Munie et al.
2003/0149461 A1 8/2003 Johnson
2005/0056669 A1 3/2005 Lavelle
2005/0072181 A1 4/2005 Mogil et al.
2005/0133399 A1 6/2005 Fidrych
2006/0021376 A1 2/2006 Scroggs
2012/0261445 A1 10/2012 Demskey
2016/0100661 A1 4/2016 Redzisz et al.
2016/0198901 A1 7/2016 De Lesseux et al.
2016/0236849 A1 8/2016 Seiders et al.
2016/0255943 A1 9/2016 Houston et al.
2016/0338908 A1 11/2016 Rice et al.
2017/0036844 A1 2/2017 Seiders et al.
2017/0099920 A1 4/2017 Bailey
2017/0210542 A1 * 7/2017 Seiders A45C 11/20
2017/0225872 A1 8/2017 Collie
2018/0016084 A1 1/2018 Xia et al.
2018/0098607 A1 4/2018 Seiders et al.
2018/0162626 A1 6/2018 Munie et al.
2018/0242701 A1 8/2018 Seiders et al.
2018/0263346 A1 9/2018 Stephens
2018/0279733 A1 10/2018 Young et al.
2018/0317620 A1 11/2018 Larson et al.
2019/0170422 A1 6/2019 Dexter

OTHER PUBLICATIONS

United States District Court Western District of Texas, Austin Division, "Complaint for Damages and Injunctive Relief," *Yeti Coolers, LLCv. Olympia Tools International, Inc. d/b/a Coho Outdoors*, Case 1:19-cv-00912, Document 1, Filed Sep. 16, 2019, 235 pages (008117.03453).

United States District Court Western District of Texas, Austin Division, "Defendant Olympia Tools International, Inc. d/b/a Coho Outdoors' Answer and Counterclaims to Plaintiff's Original Complaint," *Yeti Coolers, LLCv. Olympia Tools International, Inc. d/b/a Coho Outdoors*, Case 1:19-cv-00912, filed Dec. 18, 2019, 48 pages.(008117.03453).

* cited by examiner

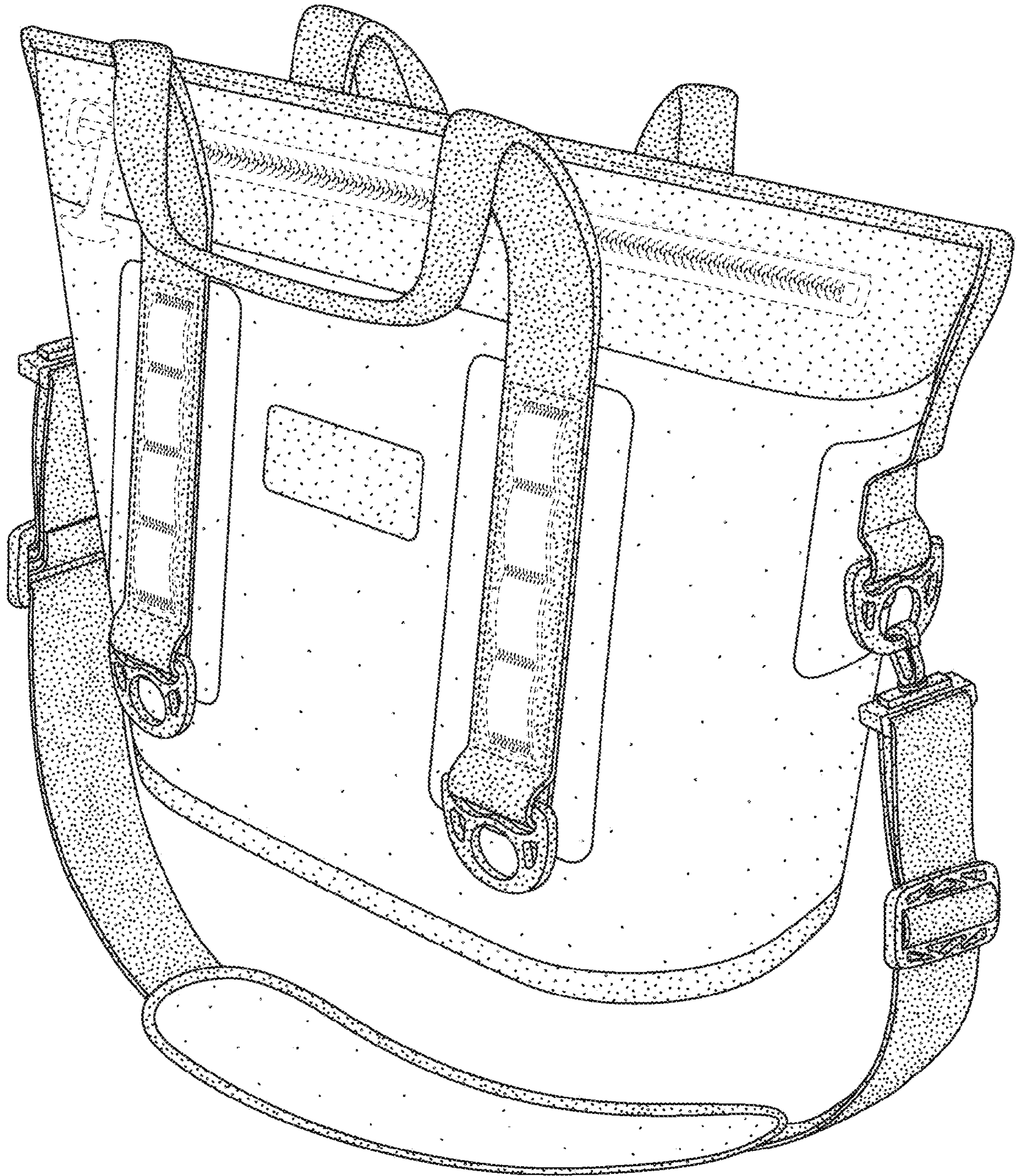


FIG. 1

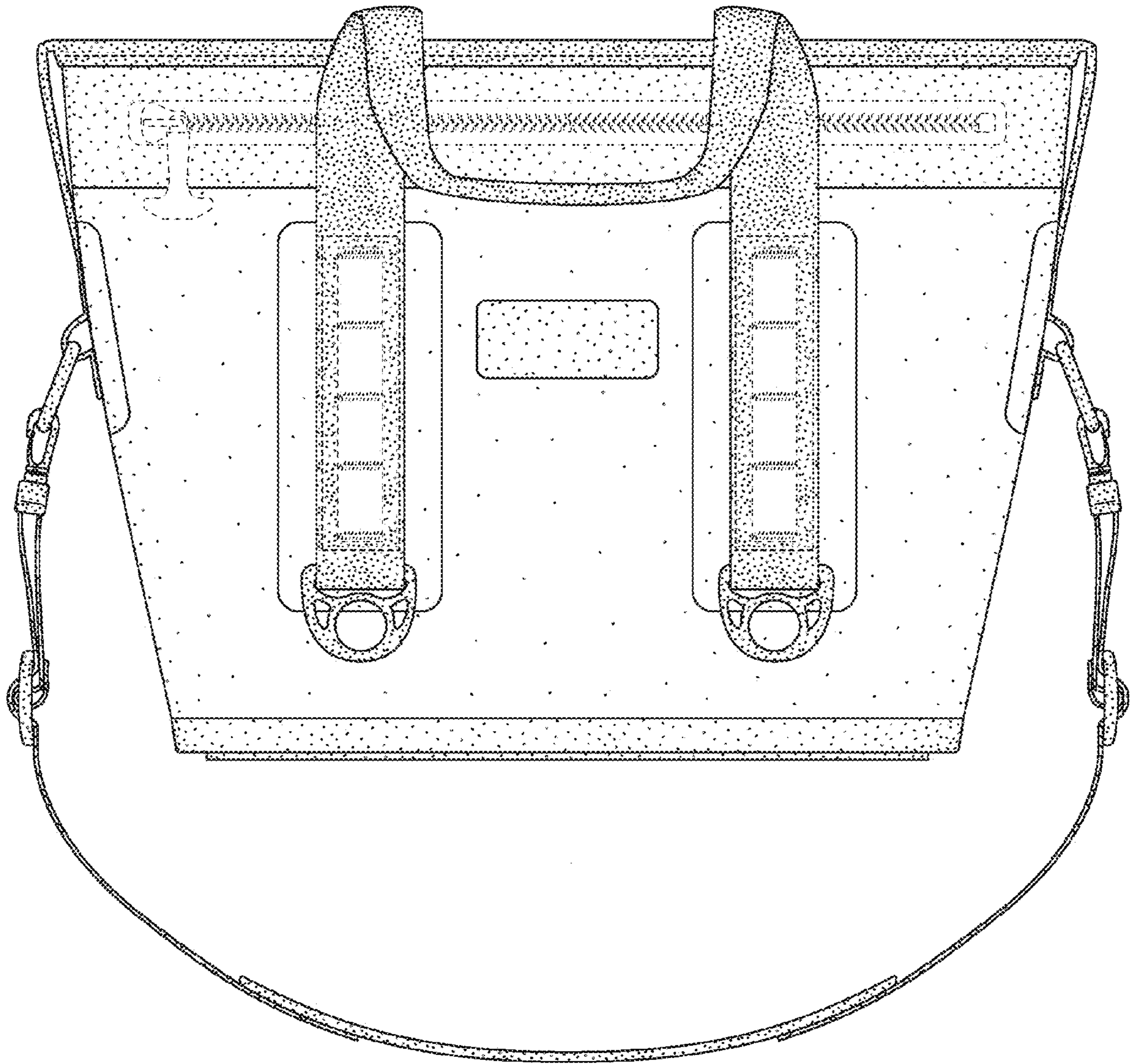


FIG. 2

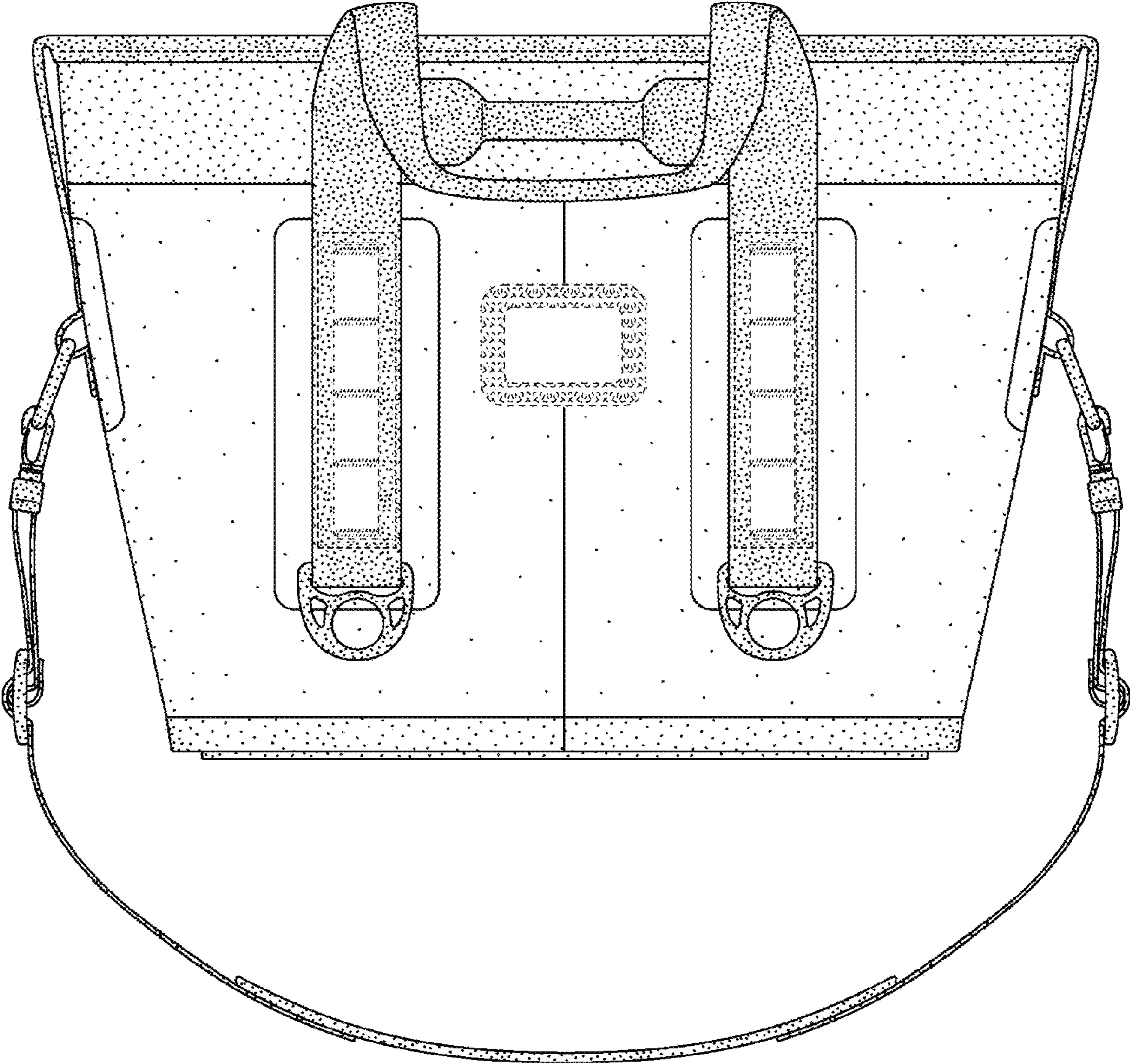


FIG. 3

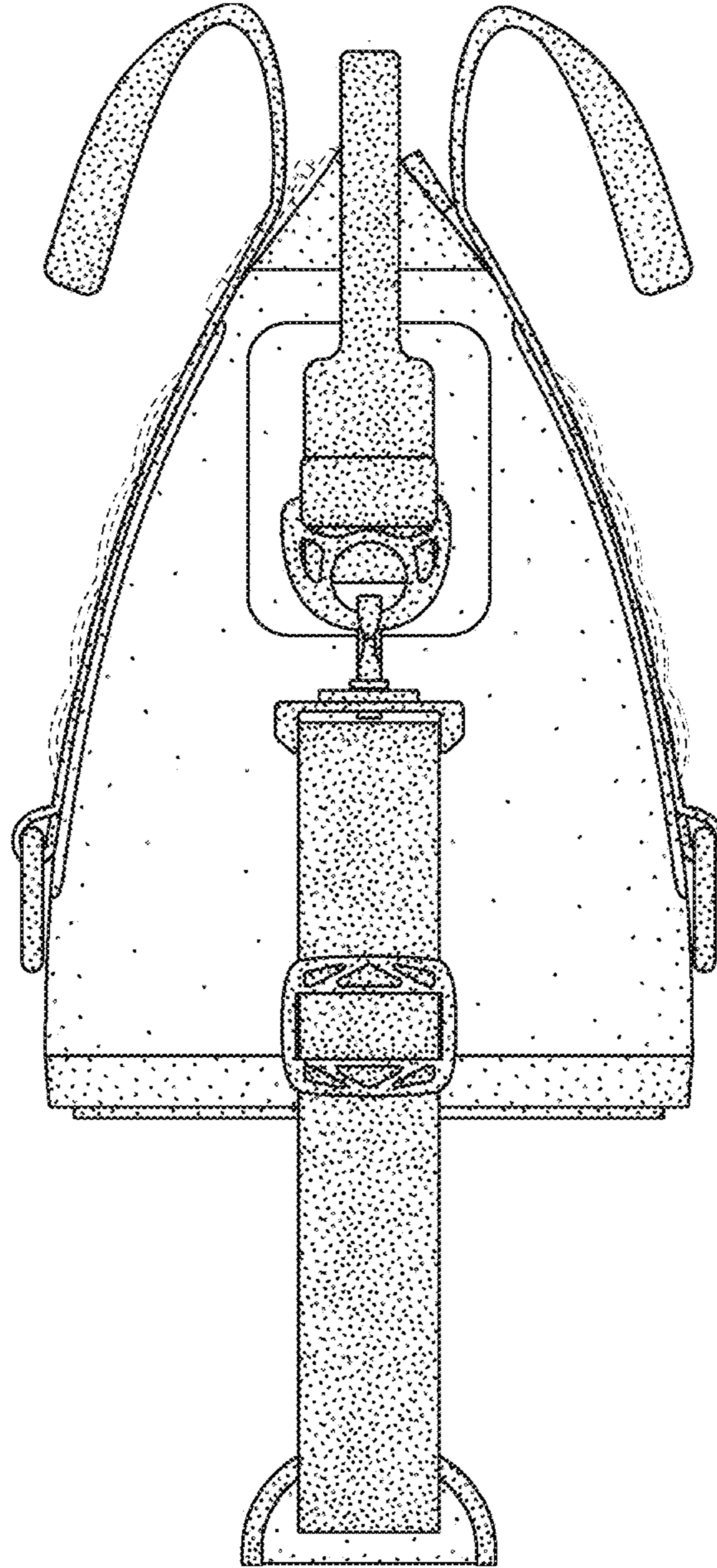


FIG. 4

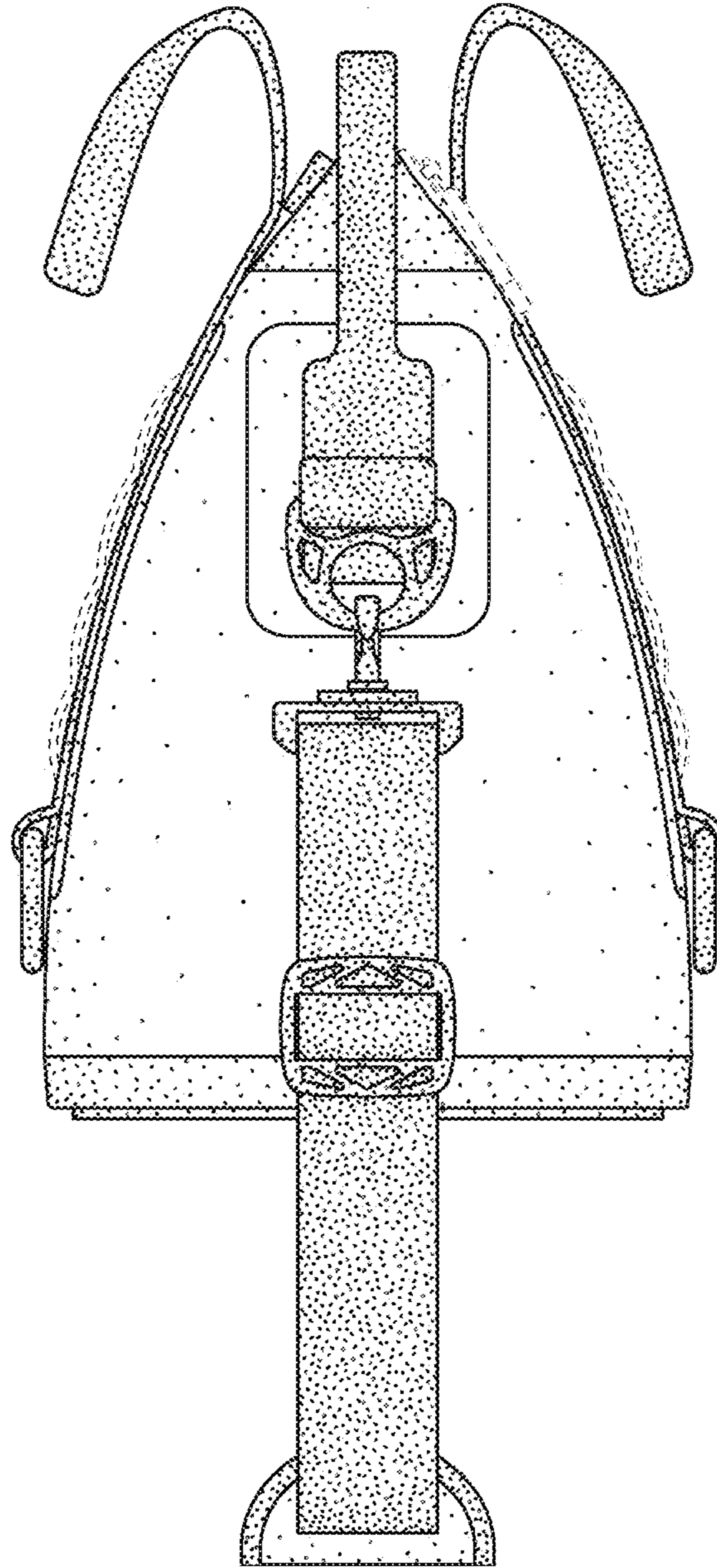


FIG. 5

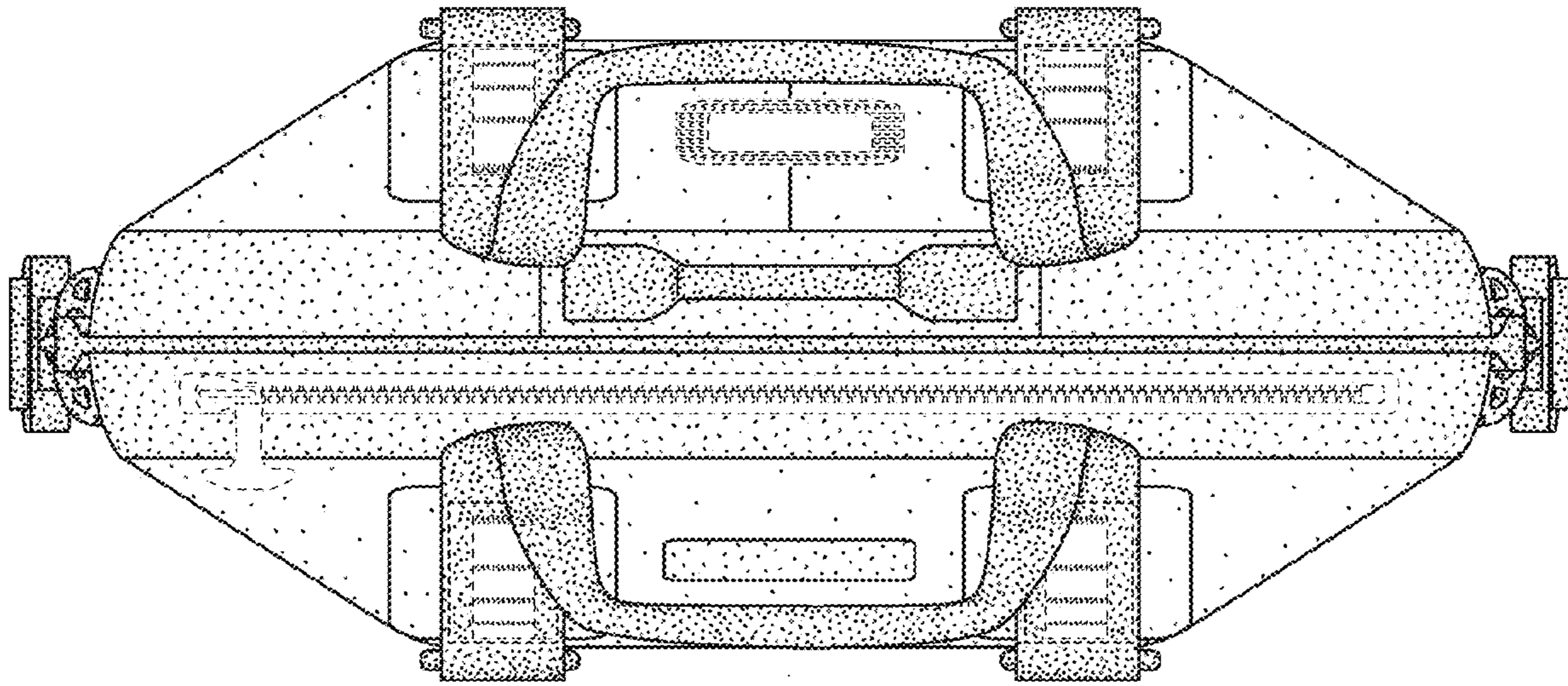


FIG. 6

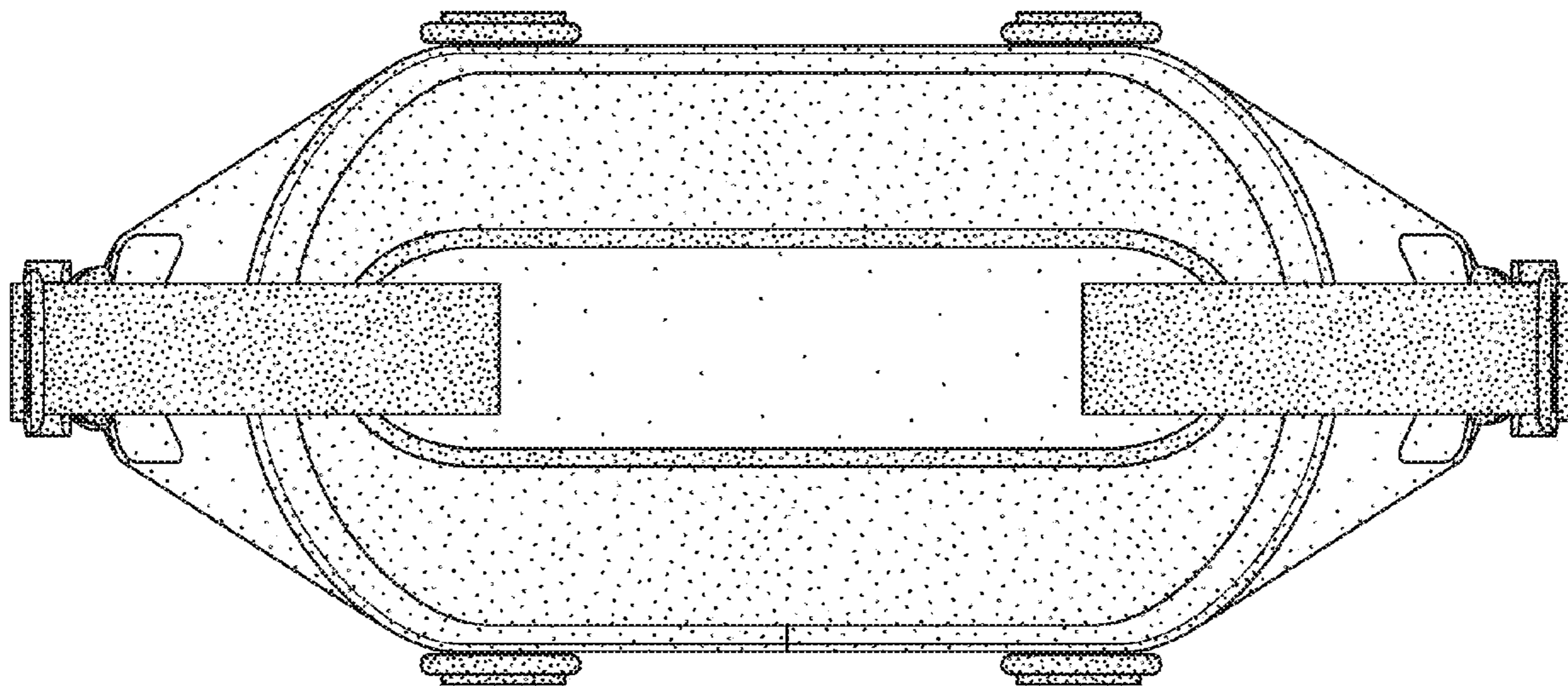


FIG. 7

UNITED STATES PATENT AND TRADEMARK OFFICE
CERTIFICATE OF CORRECTION

PATENT NO. : D907,968 S
APPLICATION NO. : 29/630763
DATED : January 19, 2021
INVENTOR(S) : Sullivan et al.

Page 1 of 1

It is certified that error appears in the above-identified patent and that said Letters Patent is hereby corrected as shown below:

On the Title Page

Column 2, item (56) Other Publications, Line 1:

Delete "Actiont" and insert --Action--

Column 2, item Description, Line 9:

Delete "shaded" and insert --unshaded--

Signed and Sealed this
Fourth Day of May, 2021



Drew Hirshfeld
*Performing the Functions and Duties of the
Under Secretary of Commerce for Intellectual Property and
Director of the United States Patent and Trademark Office*