



US00D907964S

(12) **United States Design Patent**
DeYang

(10) **Patent No.:** **US D907,964 S**

(45) **Date of Patent:** **** *Jan. 19, 2021**

(54) **FOOD TRAY ASSEMBLY**

(71) Applicant: **Luan DeYang**, Shenyang (CN)

(72) Inventor: **Luan DeYang**, Shenyang (CN)

(*) Notice: This patent is subject to a terminal disclaimer.

(**) Term: **15 Years**

(21) Appl. No.: **29/682,910**

(22) Filed: **Mar. 8, 2019**

(51) **LOC (13) Cl.** **07-01**

(52) **U.S. Cl.**

USPC **D7/552.1**

(58) **Field of Classification Search**

USPC D7/550.1, 701, 396.1, 396.2, 500, 526,
D7/553.5, 552.1, 301, 302, 306, 553.8,
D7/558, 554.3, 553.2, 553.4, 553.6,
D7/553.3, 587, 600.1, 501, 505;
D27/109; D9/544, 545, 455; D24/227;
206/370; D6/309; D3/5, 16, 6
CPC A47G 23/06; A47G 23/0641; A47G 23/08;
A47G 23/0208; A47G 23/065; A47G
23/0633; G07D 9/002; G07D 9/02; G07D
9/00

See application file for complete search history.

(56) **References Cited**

U.S. PATENT DOCUMENTS

2,047,835 A * 7/1936 Prew B21D 53/74
294/172
D226,446 S * 3/1973 Wilton D7/507
D235,300 S * 6/1975 Mountain D7/505
D235,301 S * 6/1975 Mountain A47G 19/10
D7/505
D250,439 S * 12/1978 Holstein D6/525
D267,848 S * 2/1983 Dowling D7/505
4,525,882 A * 7/1985 Stenberg A47K 3/004
108/137
D373,798 S * 9/1996 Yang D6/570

D375,658 S * 11/1996 Reichert D7/505
D383,806 S * 9/1997 Yang 446/475
D574,189 S * 8/2008 Stamper D7/505
D575,582 S * 8/2008 Geens B60N 3/002
D7/505
D601,381 S * 10/2009 Stamper A61L 2/26
D7/505

(Continued)

FOREIGN PATENT DOCUMENTS

DE 102010010667 A1 * 7/2011 A47G 23/0633
FR 002653982 A1 * 5/1991 A47G 23/0625

OTHER PUBLICATIONS

Royal Craft Wood, Luxury Bathtub Caddy Tray, Jan. 2018, Amazon.com. <https://www.amazon.com/Royal-Craft-Wood-Bathtub-Natural/dp/B01C4IS4Q2/> (Year: 2018).*

(Continued)

Primary Examiner — Shannon W Morgan
Assistant Examiner — Arva P Adams
(74) *Attorney, Agent, or Firm* — Dinsmore & Shohl LLP

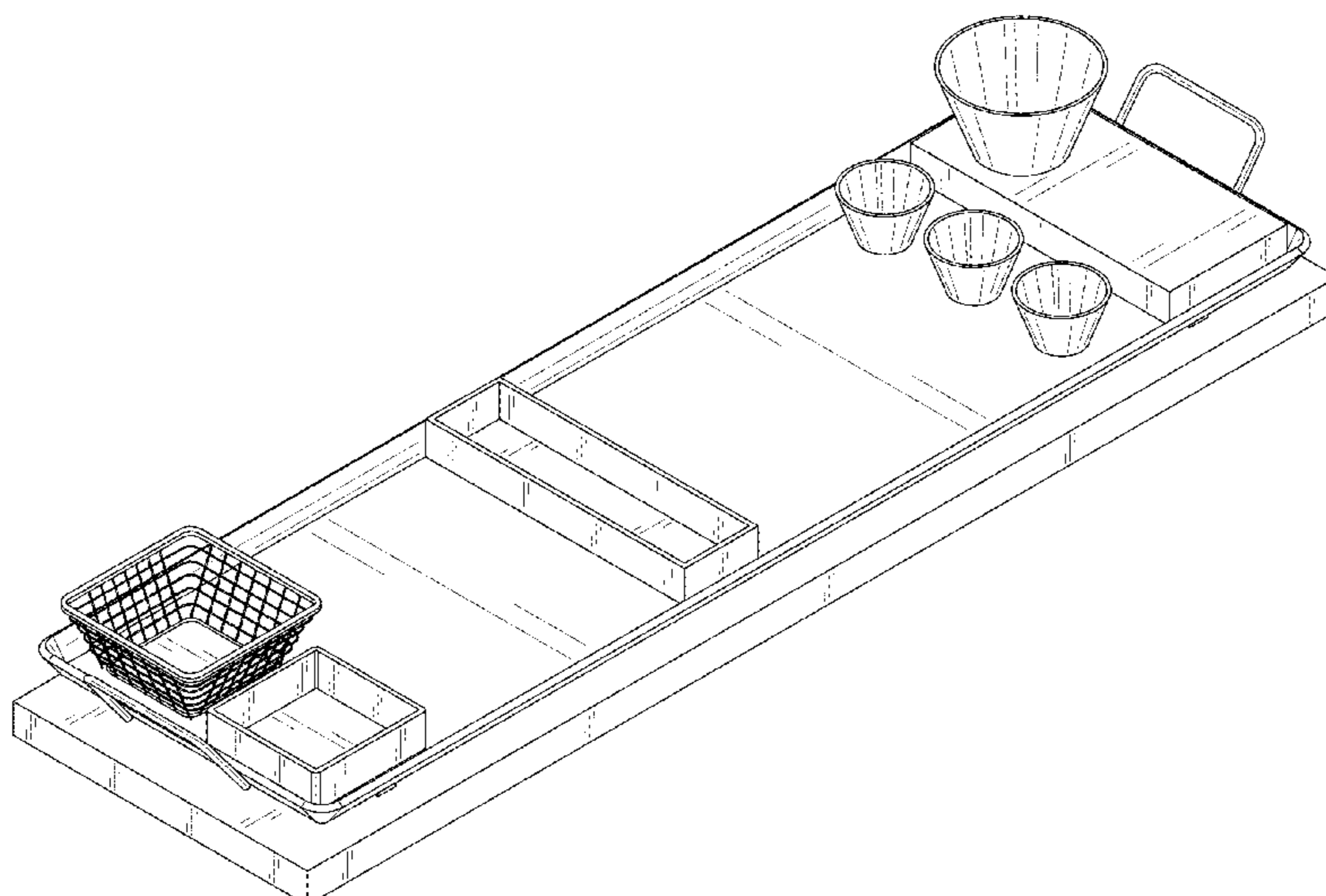
(57) **CLAIM**

The ornamental design for a food tray assembly, as shown and described.

DESCRIPTION

FIG. 1 is a top perspective view of a food tray assembly illustrating my new design;
FIG. 2 is a side view of the design of FIG. 1;
FIG. 3 is a side view of the design of FIG. 1;
FIG. 4 is an end view of the design of FIG. 1;
FIG. 5 is an end view of the design of FIG. 1;
FIG. 6 is a top view of the design of FIG. 1;
FIG. 7 is a bottom view of the design of FIG. 1; and,
FIG. 8 is a top perspective view of the design of FIG. 1.

1 Claim, 7 Drawing Sheets



(56)

References Cited

U.S. PATENT DOCUMENTS

D608,150 S * 1/2010 Lilly B65D 1/28
D7/552.1
D615,822 S * 5/2010 Klein D7/392.1
7,905,353 B2 * 3/2011 Baker B65D 1/28
206/370
7,966,949 B2 * 6/2011 Willey B60N 3/002
108/25
7,992,714 B1 * 8/2011 Devault A47G 19/10
206/564
D658,943 S * 5/2012 Galinski D7/505
8,272,508 B2 * 9/2012 Bettenhausen A61L 2/26
206/370
D735,531 S * 8/2015 Wilson D7/505

OTHER PUBLICATIONS

Belmint, Bambusi Bathtub Caddy Tray, Dec. 2018, Overstock.com.
<https://www.overstock.com/Bedding-Bath/Bambusi-Bathtub-Caddy-Tray-with-Book-and-Wine-Holder-Spa-Relaxing-Bath/23607866/product.html> (Year: 2018).*

* cited by examiner

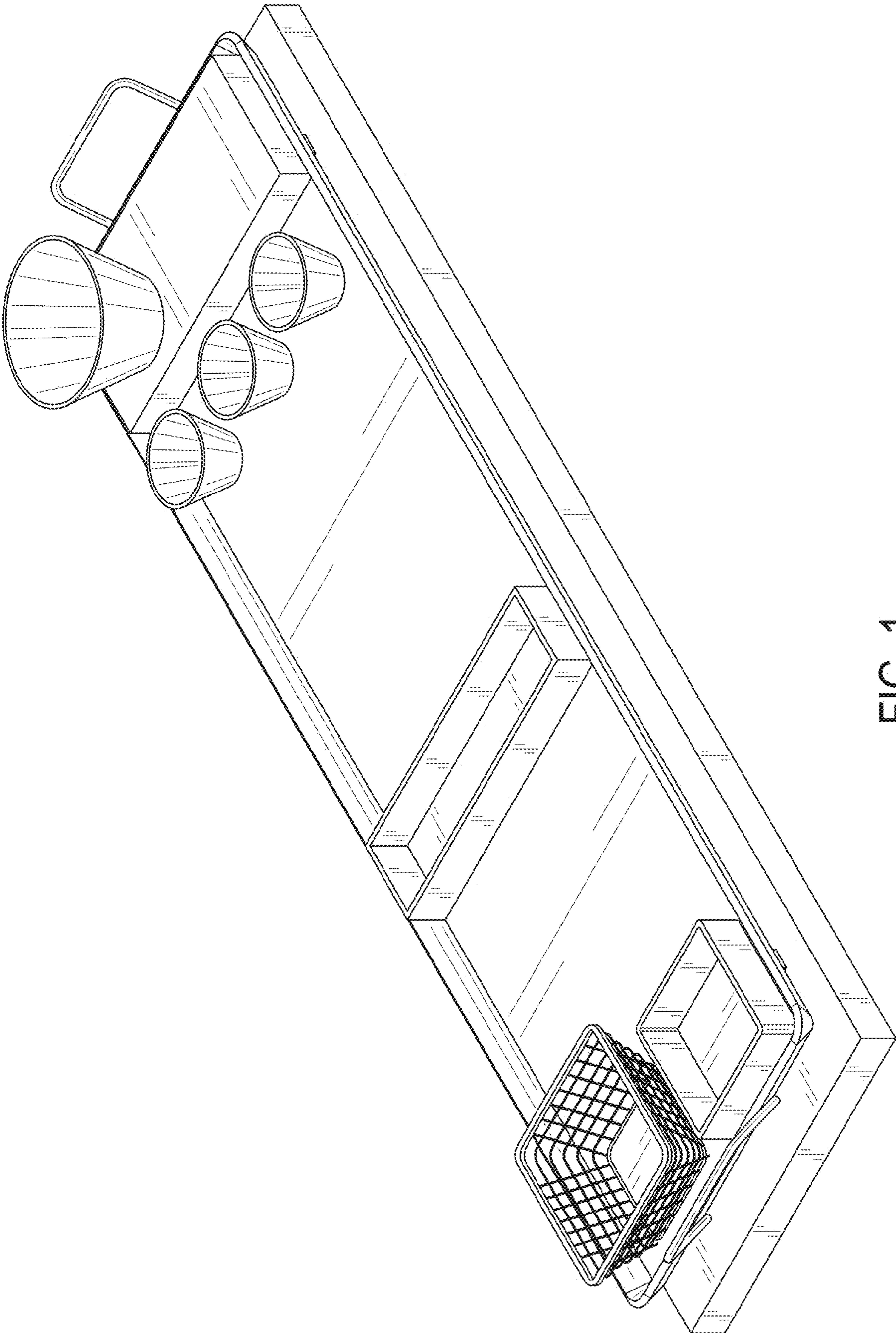


FIG. 1

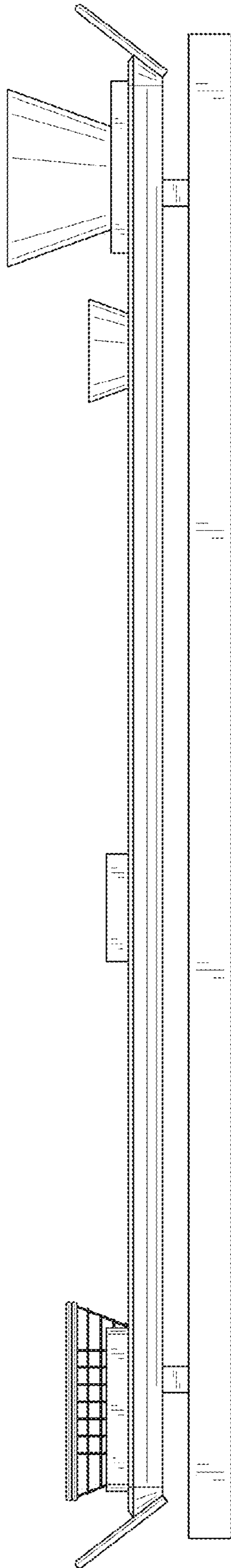


FIG. 2

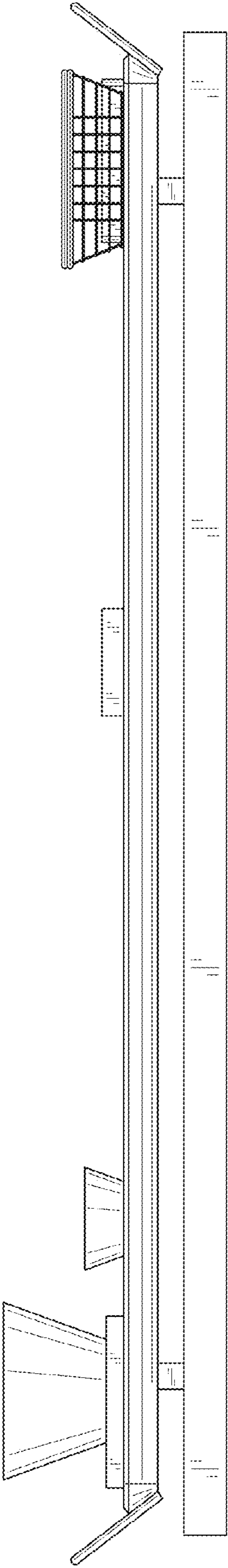


FIG. 3

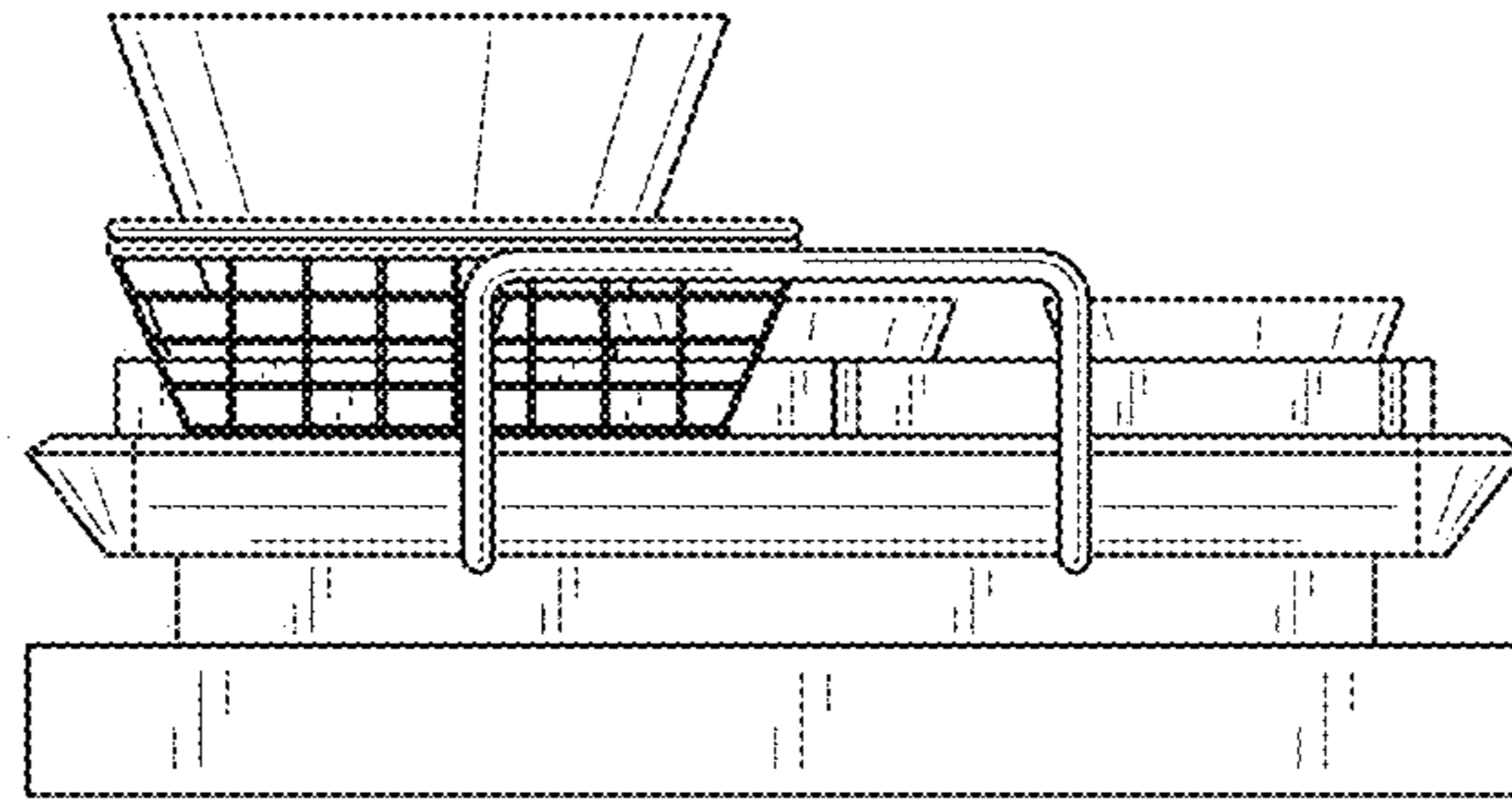


FIG. 4

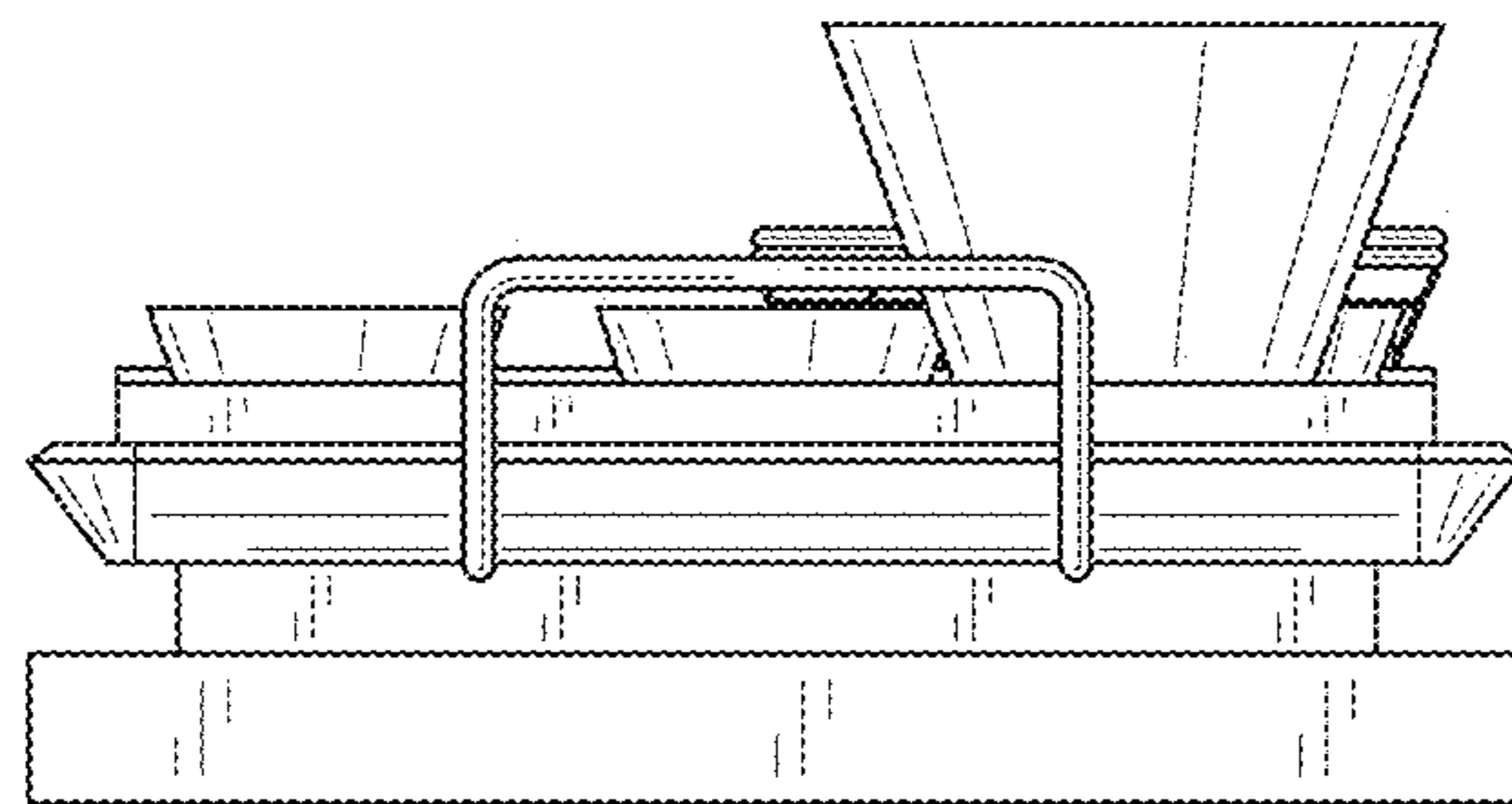


FIG. 5

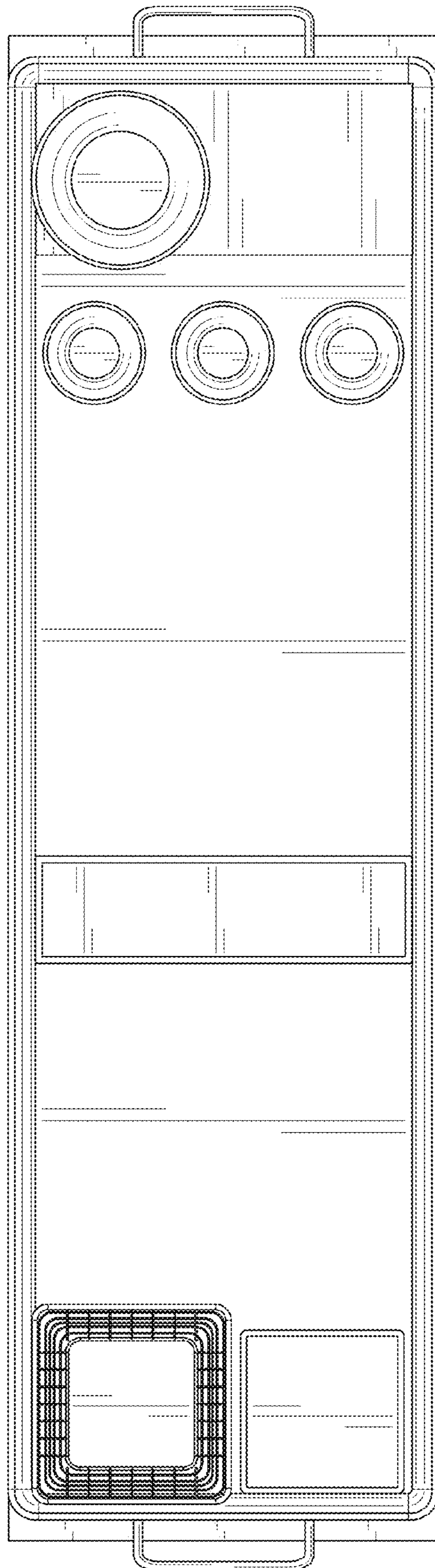


FIG. 6

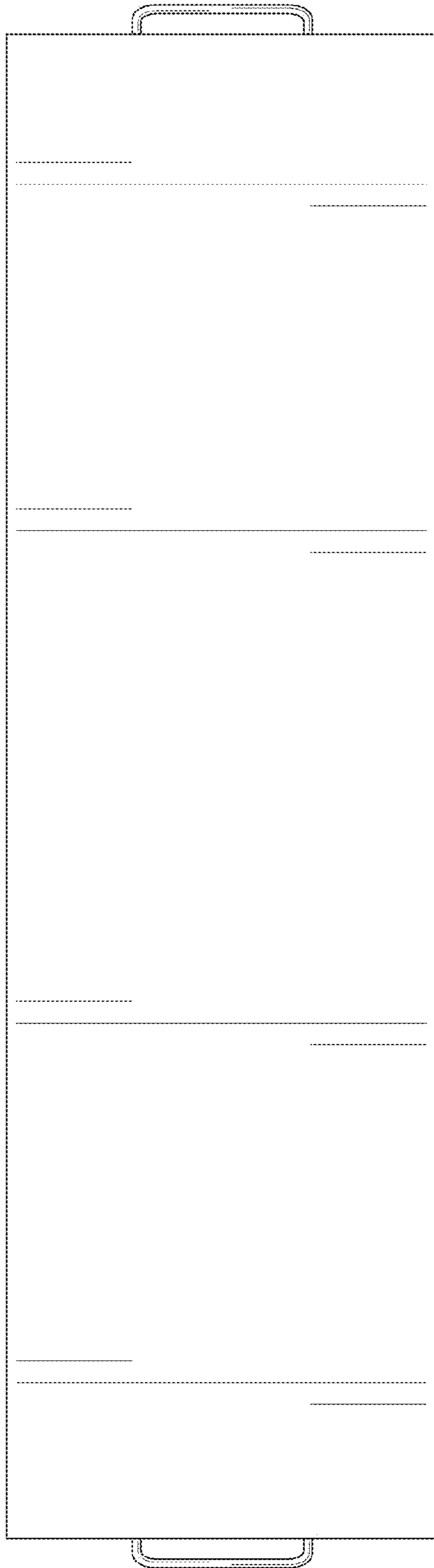


FIG. 7

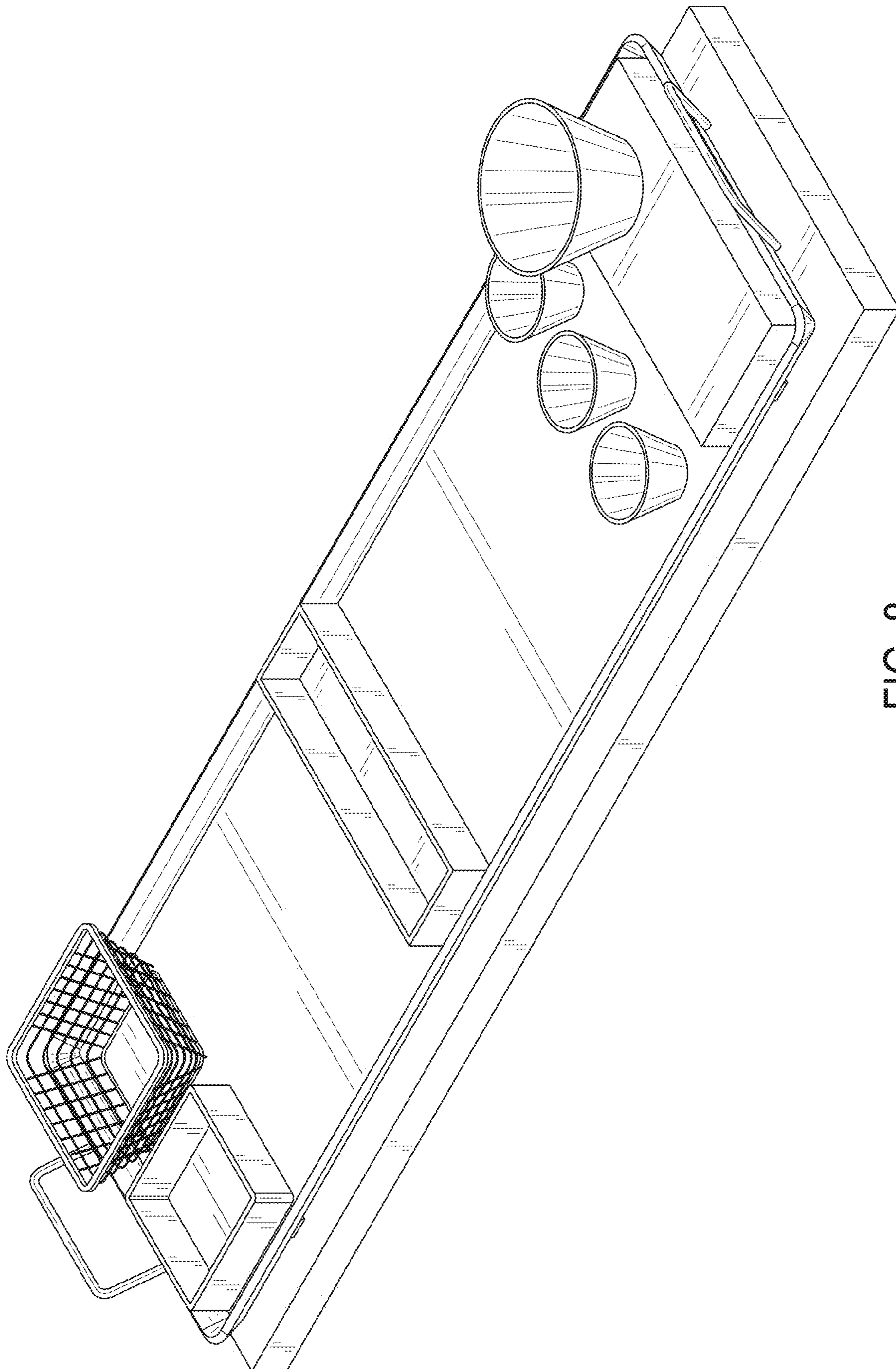


FIG. 8