



US00D907960S

(12) **United States Design Patent**
McCabe et al.

(10) **Patent No.:** **US D907,960 S**
(45) **Date of Patent:** **** Jan. 19, 2021**

(54) **BEVERAGE CONTAINER**

(71) Applicant: **Leapfrog Product Development LLC**,
Chicago, IL (US)

(72) Inventors: **Micaela K. McCabe**, Chicago, IL (US);
Glen C. Gilmore, III, Naperville, IL
(US); **Brian M. Clemens**, Burnsville,
MN (US); **Steven N. Pinelli**, Ogden
Dunes, IN (US); **Richard E. Ellison**,
Chicago, IL (US)

(73) Assignee: **Leapfrog Product Development LLC**,
Chicago, IL (US)

(**) Term: **15 Years**

(21) Appl. No.: **29/706,129**

(22) Filed: **Sep. 18, 2019**

(51) **LOC (13) Cl.** **07-01**

(52) **U.S. Cl.**
USPC **D7/510; D7/531; D7/532**

(58) **Field of Classification Search**
USPC D7/507, 509, 510, 511, 513, 529, 531,
D7/532, 523, 533, 534, 535, 536, 392.1,
D7/296.1, 396.2, 300.1, 608, 300, 320,
D7/624.1, 624.2; D3/202; D9/501, 502,
D9/503, 504, 530, 529, 522, 554, 567,
D9/571, 569, 449, 516, 523, 524, 543,
D9/565, 575, 556
CPC A47G 19/22; A47G 19/2288; A47G
19/2205; A47G 19/2211; A47J 41/0077;
A45F 3/16

See application file for complete search history.

(56) **References Cited**

U.S. PATENT DOCUMENTS

D247,840 S * 5/1978 Dixon D24/224
D364,810 S 12/1995 Meisner
D471,455 S 3/2003 Laveault et al.
D485,132 S 1/2004 Ohno et al.

D492,158 S * 6/2004 Bodum D7/510
D505,294 S 5/2005 Gauss
D508,185 S 8/2005 Gauss
D515,357 S 2/2006 Ward et al.
D516,877 S * 3/2006 Schmidt D7/608
(Continued)

OTHER PUBLICATIONS

<https://www.amazon.com/Water-Bottle-Storage-Compartment-Transparent/dp/B085WVBJ3N> (Year: 2020).*
(Continued)

Primary Examiner — Jae Liang
(74) *Attorney, Agent, or Firm* — Barnes & Thornburg
LLP

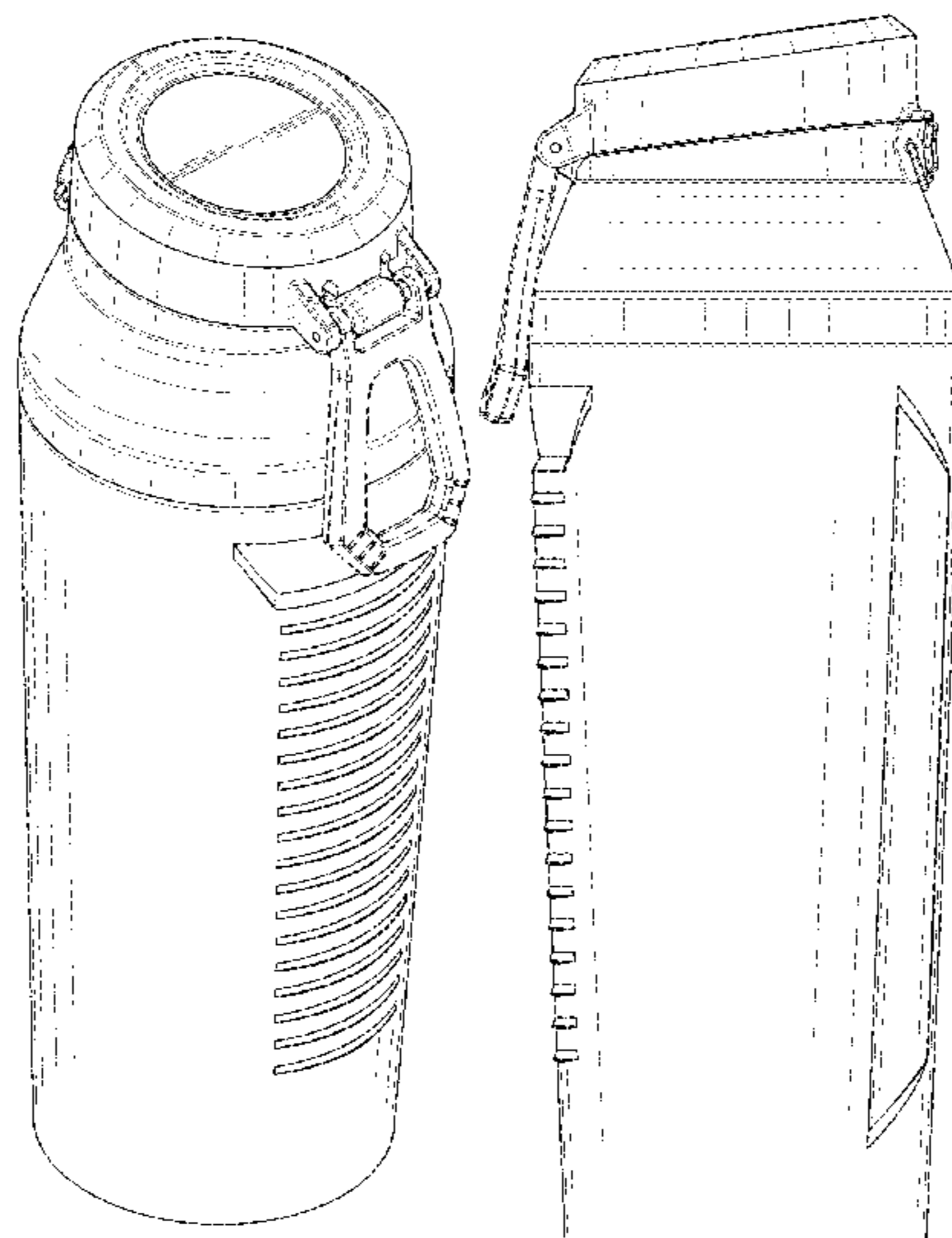
(57) **CLAIM**

We claim the ornamental design for a beverage container, as shown and described.

DESCRIPTION

FIG. 1 is a top perspective view of a beverage container according to the new design.
FIG. 2 is a bottom perspective view of the beverage container shown in FIG. 1.
FIG. 3 is a front elevation view of the beverage container shown in FIG. 1.
FIG. 4 is a rear elevation view of the beverage container shown in FIG. 1.
FIG. 5 is a left side elevation view of the beverage container shown in FIG. 1.
FIG. 6 is a right side elevation view of the beverage container shown in FIG. 1.
FIG. 7 is a top plan view of the beverage container shown in FIG. 1; and,
FIG. 8 is a bottom plan view of the beverage container shown in FIG. 1.
The broken lines in the drawings illustrate portions of the beverage container that form no part of the claimed design.

1 Claim, 8 Drawing Sheets



(56)

References Cited

U.S. PATENT DOCUMENTS

D528,862 S 9/2006 Li
 D533,061 S 12/2006 Li
 D564,841 S 3/2008 Clemens et al.
 D579,722 S 11/2008 Sakulsacha et al.
 D581,727 S 12/2008 Pinelli et al.
 D592,456 S 5/2009 Pinelli et al.
 D592,905 S 5/2009 Pinelli et al.
 D592,913 S 5/2009 Pinelli et al.
 7,546,933 B2 6/2009 Pinelli
 D609,964 S 2/2010 Lane
 D643,249 S 8/2011 Miller et al.
 7,997,442 B2 8/2011 Pinelli
 D655,580 S 3/2012 Kotani
 D656,787 S 4/2012 Phillips et al.
 D661,945 S 6/2012 Eyal
 D675,060 S 1/2013 Lane
 8,360,267 B1 1/2013 Chiou et al.
 D686,871 S 7/2013 Lane
 D693,629 S 11/2013 Miller
 D693,630 S 11/2013 Hurley et al.
 8,579,133 B2 11/2013 Marcus et al.
 8,590,731 B2 11/2013 Pinelli
 D700,012 S 2/2014 Hurley et al.
 D700,802 S 3/2014 Miller
 8,978,906 B2 3/2015 Feeley et al.
 D725,966 S 4/2015 Boroski et al.
 D739,183 S 9/2015 Lane
 9,266,643 B2 2/2016 Marcus et al.
 D758,189 S 6/2016 Roth et al.
 D758,790 S 6/2016 Boroski
 D778,677 S * 2/2017 Boroski D7/511
 D780,578 S 3/2017 Lane et al.
 D785,402 S 5/2017 Shirley et al.
 D793,804 S 8/2017 Herbst et al.
 D794,453 S 8/2017 Boroski et al.
 D795,011 S 8/2017 Pisarevsky
 D799,270 S * 10/2017 Polk, III D7/510
 D799,898 S 10/2017 Yao
 D802,993 S 11/2017 Joseph et al.
 D804,903 S 12/2017 Mason et al.
 D804,904 S 12/2017 Noveletsky et al.
 D808,220 S 1/2018 Burns et al.
 D808,714 S * 1/2018 Boroski D7/396.4
 D809,384 S 2/2018 Best et al.
 D814,398 S 4/2018 Yasunaga
 D817,713 S 5/2018 Lin
 D818,767 S 5/2018 Nezu
 D821,136 S 6/2018 Silsby et al.
 D821,137 S 6/2018 Boroski
 D821,815 S 7/2018 Chung
 D822,427 S 7/2018 Sorensen et al.
 D829,507 S * 10/2018 Breit D7/529
 D831,425 S 10/2018 Best et al.
 D831,433 S 10/2018 Fleischhut
 D835,939 S 12/2018 Yee et al.
 D839,044 S 1/2019 Potter et al.
 D848,787 S 5/2019 Tatsukawa et al.
 D853,181 S 7/2019 Stanton
 D853,784 S 7/2019 Wu
 D856,084 S * 8/2019 Valencia D7/510
 D865,457 S 11/2019 Kotani
 D869,230 S 12/2019 Hao
 D870,509 S 12/2019 Bo
 2011/0089059 A1 4/2011 Lane et al.
 2012/0312832 A1 12/2012 Lane
 2014/0339177 A1 11/2014 Lane
 2015/0282654 A1 10/2015 Kurabe et al.
 2017/0297785 A1 10/2017 Maruyama et al.

OTHER PUBLICATIONS

Zulu, "Atlas20 oz Glass Water Bottle," accessed on-line at: <https://www.zuluathletic.com/shop-all/atlas-glass-water-bottle> (available at least as early as Sep. 18, 2019).

Kor, "Vida Bottle—25oz," accessed on-line at: <https://waterbottles.com/kor-vida-bottle-25-oz> (available at least as early as Sep. 18, 2019).
 Thermos, "Hydration Bottle with Rotating Intake Meter, 24oz," accessed on-line at: <https://www.thermos.com/genuine-thermos-brand-hydration-bottle-with-rotating-intake-meter-24oz.html> (available at least as early as Sep. 18, 2019).
 Thermos, "Shaker Bottle with Integrated Mixer, 24oz," accessed on-line at: <https://www.thermos.com/genuine-thermos-brand-shaker-bottle-with-integrated-mixer-24oz-clear-green-accent.html> (available at least as early as Sep. 18, 2019).
 Tervis, "Custom Water Bottle," accessed on-line at: <https://www.tervis.com/turtle-sunset-stainless-steel-24oz-stainless-water-bottle-1362572.html> (available at least as early as Sep. 18, 2019).
 Swell, "Bottles," accessed on-line at: <https://www.swell.com/shop/swell/bottles/> (available at least as early as Sep. 18, 2019).
 Tritan, "32 oz Soft Straw Plastic Water Bottle," accessed on-line at: <http://www.pogogear.com/32oz-tritan-straw> (available at least as early as Sep. 18, 2019).
 Tritan, "32oz Chug Plastic Water Bottle," accessed on-line at: <http://www.pogogear.com/32oz-tritan-chug> (available at least as early as Sep. 18, 2019).
 Tritan, "18oz Chug Plastic Water Bottle," accessed on-line at: <http://www.pogogear.com/18oz-tritan-chug> (available at least as early as Sep. 18, 2019).
 Ello, "chi 24oz BPA-Free Tritan Plastic Water Bottle," accessed on-line at: <https://www.elloproducts.com/water-bottles/chi-24oz-plastic-water-bottle> (available at least as early as Sep. 18, 2019).
 Ello, "Dash 16oz 2pk Tritan Plastic Water Bottles," accessed on-line at: <https://www.elloproducts.com/kids/dash-16oz-tritan-plastic-water-bottle> (available at least as early as Sep. 18, 2019).
 Ello, "Cru Stemless Wine glass Set with Silicone Protection," accessed on-line at: <https://www.elloproducts.com/tumblers/cru-stemless-wine-glass-set-with-silicone-protection> (available at least as early as Sep. 18, 2019).
 Aladdin, "Water Bottle," (1 page) (available at least as early as Sep. 18, 2019).
 Ello, "Elsie 22oz Glass Water Bottle," accessed on-line at: <https://www.elloproducts.com/water-bottles/elsie-22oz-glass-water-bottle> (available at least as early as Sep. 18, 2019).
 Ello, "Beacon 24oz Vacuum Insulated Stainless Tumbler," accessed on-line at: <https://www.elloproducts.com/tumblers/beacon-24oz-vacuum-insulated-stainless-tumbler> (available at least as early as Sep. 18, 2019).
 Ello, "Rise 12oz Vacuum Insulated Stainless Steel Tumbler with Optional Straw," accessed on-line at: <https://www.elloproducts.com/kids/rise-12oz-vacuum-insulated-stainless-steel-tumbler> (available at least as early as Sep. 18, 2019).
 Ello, "Hammertime 18oz Stainless Steel Travel Mug," accessed on-line at: <https://www.elloproducts.com/travel-mugs/hammertime-18oz-vacuum-insulated-stainless-steel-travel-mug> (available at least as early as Sep. 18, 2019).
 Ello, "Pure 20oz Glass Water Bottle," accessed on-line at: <https://www.elloproducts.com/water-bottles/pure-20oz-glass-water-bottle> (available at least as early as Sep. 18, 2019).
 Ello, "Max 12oz Vacuum-Insulated Stainless Steel Kids Water Bottle," accessed on-line at: <https://www.elloproducts.com/kids/max-12oz-vacuum-insulated-stainless-steel-kids-water-bottle> (available at least as early as Sep. 18, 2019).
 Ello, "Syndicate 20oz Glass Water Bottle," accessed on-line at: <https://www.elloproducts.com/water-bottles/syndicate-20oz-glass-water-bottle> (available at least as early as Sep. 18, 2019).
 Mason, "Glass Jar," (1 page) (available at least as early as Sep. 18, 2019).
 Camelbak, "Eddy+ 1L Bottle," accessed on-line at: https://www.camelbak.com/en/bottles/R02056--Eddy_75L_2019?color=6bbd0584f3a64b0eb30d406f7e03797e (available at least as early as Sep. 18, 2019).
 Contigo, "Autoseal West Loop 2.0 Stainless," accessed on-line at: <https://www.gocontigo.com/20-oz-autoseal-west-loop-stainless-travel-mug-with-easy-clean-lid.html> (available at least as early as Sep. 18, 2019).

(56)

References Cited

OTHER PUBLICATIONS

Contigo, "Autospout Straw Striker Chill," accessed on-line at: <https://www.gocontigo.com/14-oz-autospout-striker-kids-water-bottle.html> (available at least as early as Sep. 18, 2019).

Zojirushi, "Travel Mug SM-YAE48," accessed on-line at: <https://www.zojirushi.com/app/product/smyae> (available at least as early as Sep. 18, 2019).

Zojirushi, "Stainless Mug SM-KC3648," accessed on-line at: <https://www.zojirushi.com/app/product/smkc> (available at least as early as Sep. 18, 2019).

Zojirushi, "Stainless Bottle SJ-JS10," accessed on-line at: <https://www.zojirushi.com/app/product/sjjs> (available at least as early as Sep. 18, 2019).

Zojirushi, "Flip-and-Go Stainless Mug SM-QHE48/60," accessed on-line at: <https://www.zojirushi.com/app/product/smqhe> (available at least as early as Sep. 18, 2019).

Zojirushi, "Stainless Mug SM-TAE48SA, Ichimatsu Collection," accessed on-line at: <https://www.zojirushi.com/app/product/smtae> (available at least as early as Sep. 18, 2019).

Zojirushi, "Stainless Mug SM-TA36/48/60," accessed on-line at: <https://www.zojirushi.com/app/product/smta> (available at least as early as Sep. 18, 2019).

Zojirushi, "Stainless Mug SM-SE36/48/60," accessed on-line at: <https://www.zojirushi.com/app/product/smse> (available at least as early as Sep. 18, 2019).

Zojirushi, "Stainless Mug SM-SD36/48/60," accessed on-line at: <https://www.zojirushi.com/app/product/smsd> (available at least as early as Sep. 18, 2019).

Zojirushi, "Stainless Mug SM-SHE48/60," accessed on-line at: <https://www.zojirushi.com/app/product/smshe> (available at least as early as Sep. 18, 2019).

Zojirushi, "Stainless Mug SM-KHE36/48," accessed on-line at: <https://www.zojirushi.com/app/product/smkhe> (available at least as early as Sep. 18, 2019).

Zojirushi, "Stainless Mug SM-SC36/48/60" accessed on-line at: <https://www.zojirushi.com/app/product/smsc> (available at least as early as Sep. 18, 2019).

Zojirushi, "Stainless Mug SM-PC20/30," accessed on-line at: <https://www.zojirushi.com/app/product/smpc> (available at least as early as Sep. 18, 2019).

Zojirushi, "Stainless Mug SM-PB30/34," accessed on-line at: <https://www.zojirushi.com/app/product/smpb> (available at least as early as Sep. 18, 2019).

Migo, "Enjoy Sport Water Bottle," accessed on-line at: <https://www.pinterest.ru/pin/12666442685646757/> (available at least as early as Sep. 18, 2019).

Coleman, "Switch SS," accessed on-line at: https://www.coleman.com/all-camp-kitchen/drinkware/switch-ss/col_2038485_pr/COL_2038485 (available at least as early as Sep. 18, 2019).

Corkcicle, "Classic Arctican," accessed on-line at: <https://corkcicle.com/products/classic-arctican?variant=475182759951> (available at least as early as Sep. 18, 2019).

Ello, "Reflex Beverage Container," (1 page) (available at least as early as Sep. 18, 2019).
<https://www.zuluathletic.com/shop-all/atlas-glass-water-bottle>.
<https://waterbottles.com/kor-vida-bottle-25-oz>.

<https://www.thermos.com/genuine-thermos-brand-hydration-bottle-with-rotating-intake-meter-24oz.html>.

<https://www.thermos.com/genuine-thermos-brand-shaker-bottle-with-integrated-mixer-24oz-clear-green-accent.html>.

<https://www.tervis.com/turtle-sunset-stainless-steel-24oz-stainless-water-bottle-1362572.html>.

<https://www.swell.com/shop/swell/bottles/>.

<http://www.pogogear.com/32oz-tritan-straw>.

<http://www.pogogear.com/32oz-tritan-chug>.

<http://www.pogogear.com/18oz-tritan-chug>.

<https://www.elloproducts.com/water-bottles/chi-24oz-plastic-water-bottle>.

<https://www.elloproducts.com/kids/dash-16oz-tritan-plastic-water-bottle>.

<https://www.elloproducts.com/tumblers/cru-stemless-wine-glass-set-with-silicone-protection>.

Aladdin Water Bottle (1 page).

<https://www.elloproducts.com/water-bottles/elsie-22oz-glass-water-bottle>.

<https://www.elloproducts.com/tumblers/beacon-24oz-vacuum-insulated-stainless-tumbler>.

<https://www.elloproducts.com/kids/rise-12oz-vacuum-insulated-stainless-steel-tumbler>.

<https://www.elloproducts.com/travel-mugs/hammertime-18oz-vacuum-insulated-stainless-steel-travel-mug>.

<https://www.elloproducts.com/water-bottles/pure-20oz-glass-water-bottle>.

<https://www.elloproducts.com/kids/max-12oz-vacuum-insulated-stainless-steel-kids-water-bottle>.

<https://www.elloproducts.com/water-bottles/syndicate-20oz-glass-water-bottle>.

Mason Glass Jar (1 page).

https://www.camelbak.com/en/bottles/R02056-Eddy_75L_2019?color=6bbd0584f3a64b0eb30d406f7e03797e.

<https://www.gocontigo.com/20-oz-autoseal-west-loop-stainless-travel-mug-with-easy-clean-lid.html>.

<https://www.gocontigo.com/14-oz-autospout-striker-kids-water-bottle.html>.

<https://www.zojirushi.com/app/product/smyae>.

<https://www.zojirushi.com/app/product/smkc>.

<https://www.zojirushi.com/app/product/sjjs>.

<https://www.zojirushi.com/app/product/smqhe>.

<https://www.zojirushi.com/app/product/smtae>.

<https://www.zojirushi.com/app/product/smta>.

<https://www.zojirushi.com/app/product/smse>.

<https://www.zojirushi.com/app/product/smsd>.

<https://www.zojirushi.com/app/product/smshe>.

<https://www.zojirushi.com/app/product/smkhe>.

<https://www.zojirushi.com/app/product/smsc>.

<https://www.zojirushi.com/app/product/smpc>.

<https://www.zojirushi.com/app/product/smpb>.

<https://www.pinterest.ru/pin/12666442685646757/>.

https://www.coleman.com/all-camp-kitchen/drinkware/switch-ss/col_2038485pr/COL_2038485.

<https://corkcicle.com/products/classic-arctican?variant=475182759951>.

Ello Reflex Beverage Container (1 page).

* cited by examiner

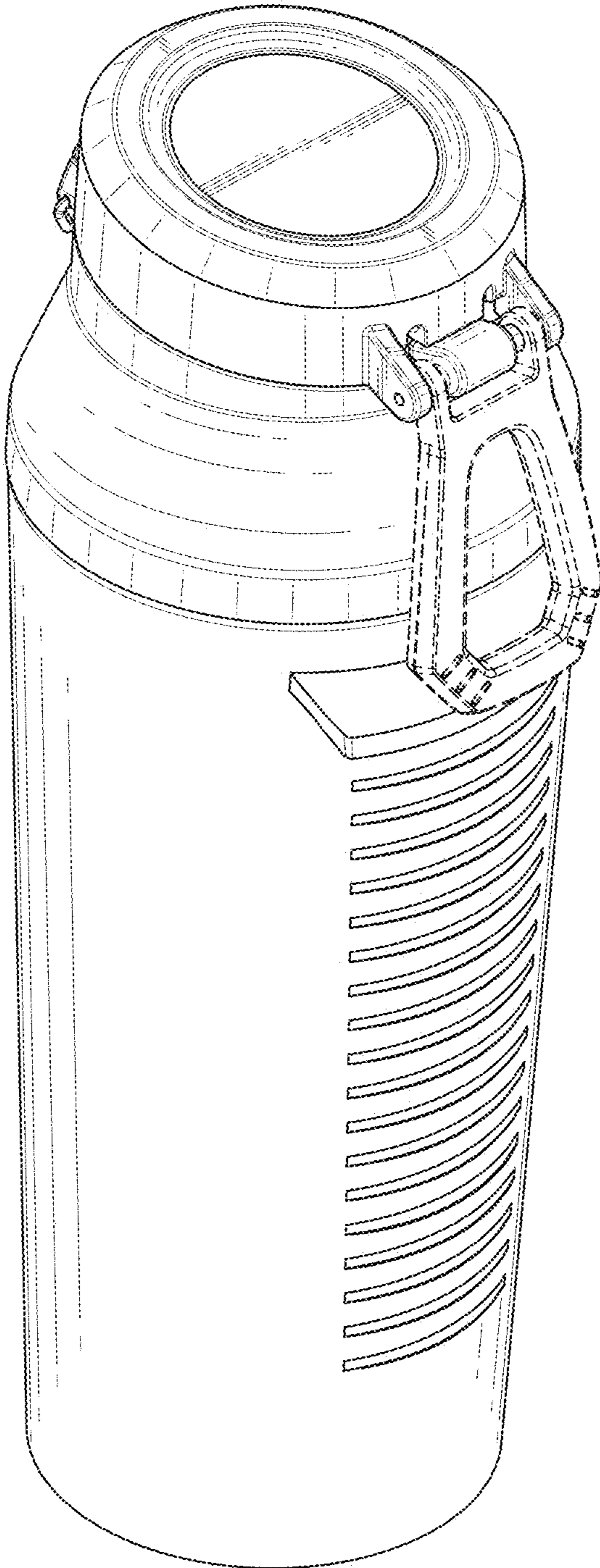


FIG. 1

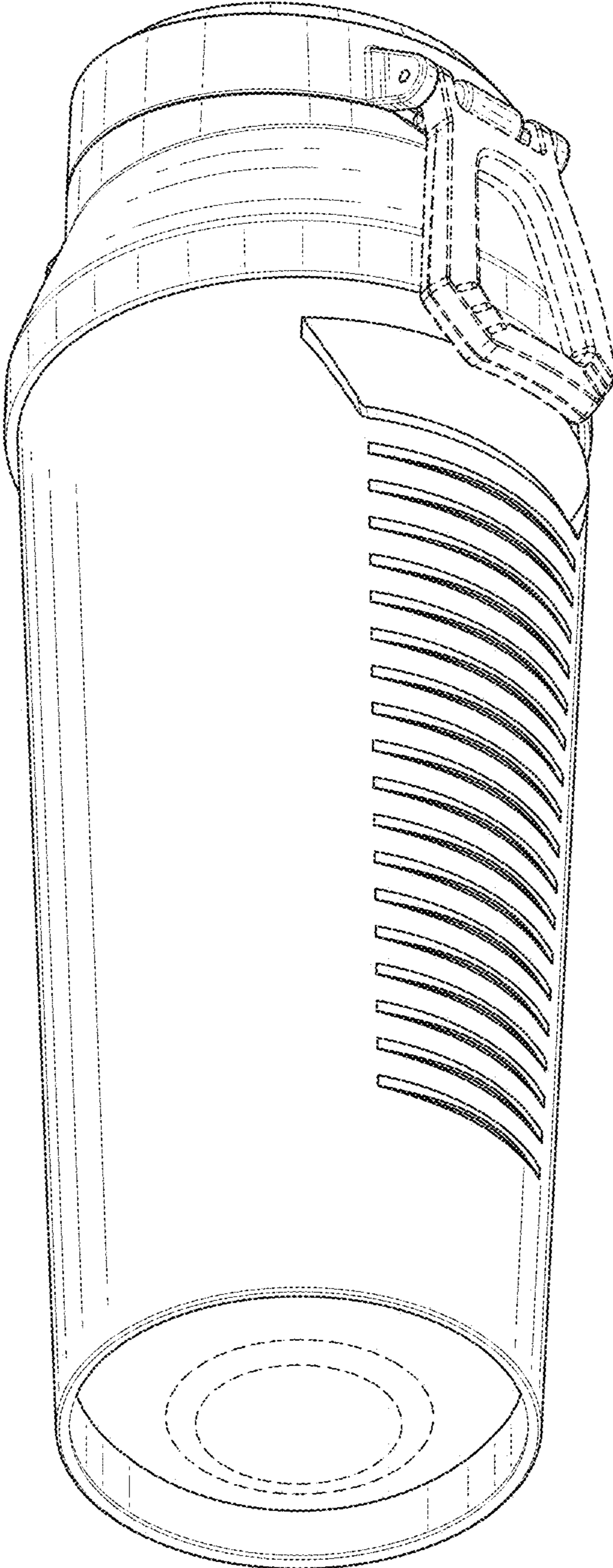


FIG. 2

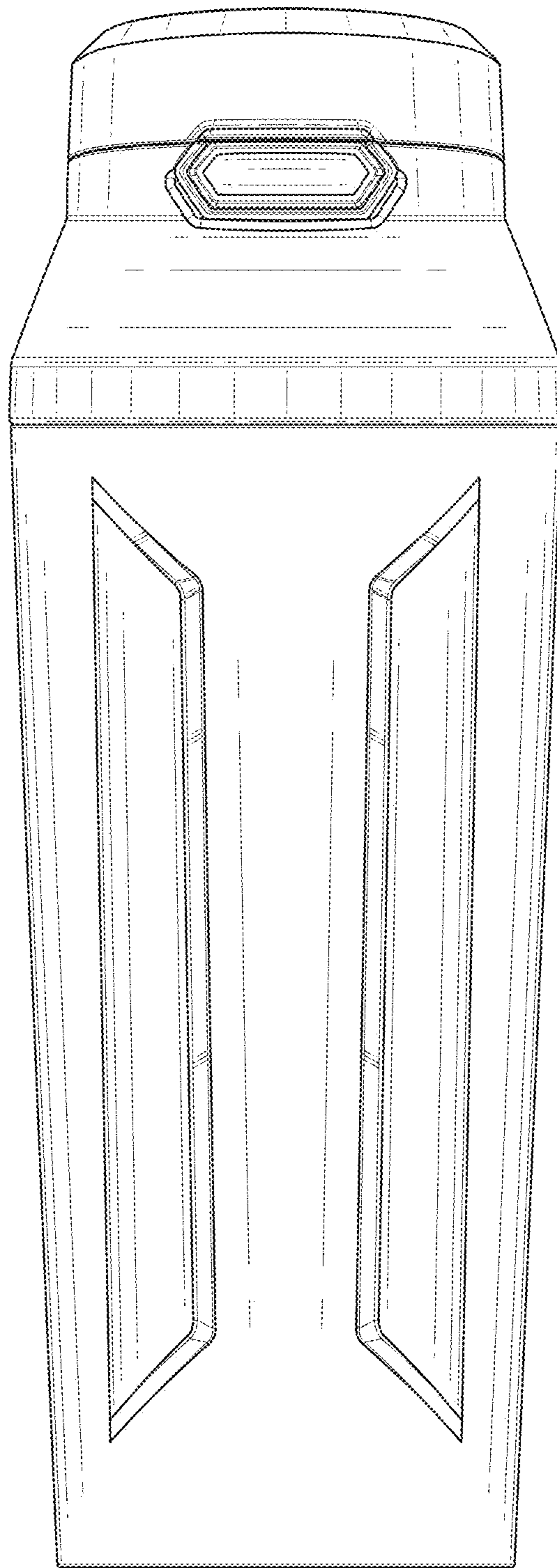


FIG. 3

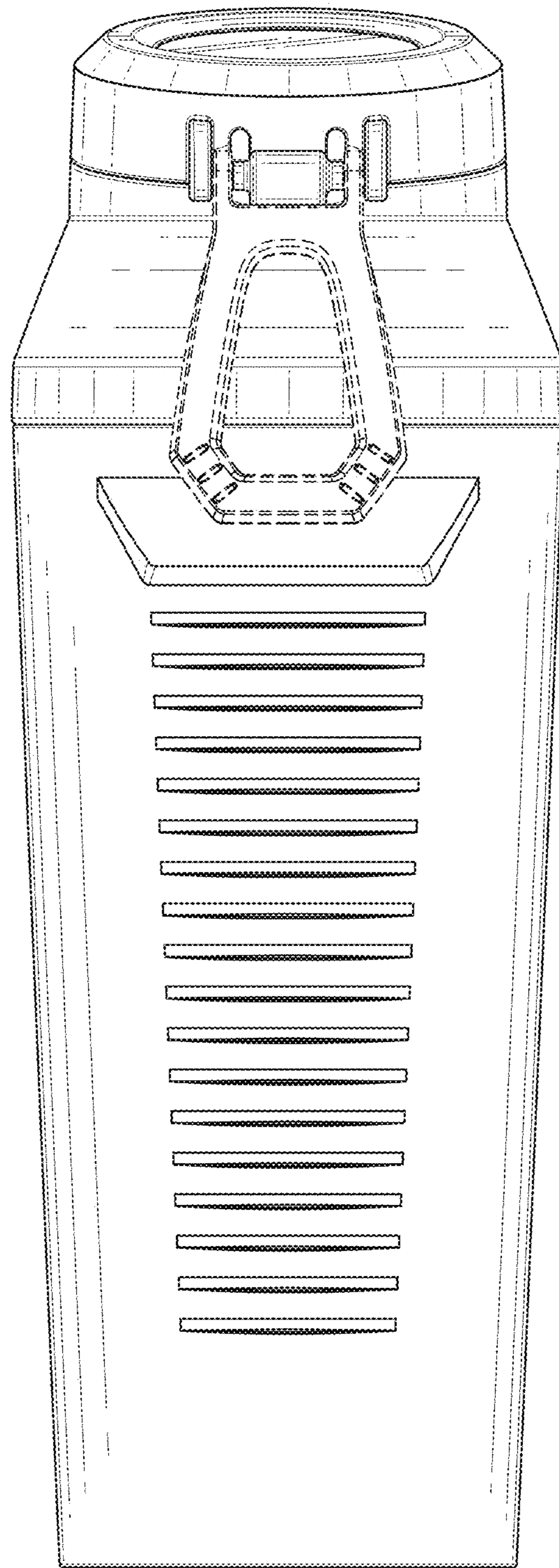


FIG. 4

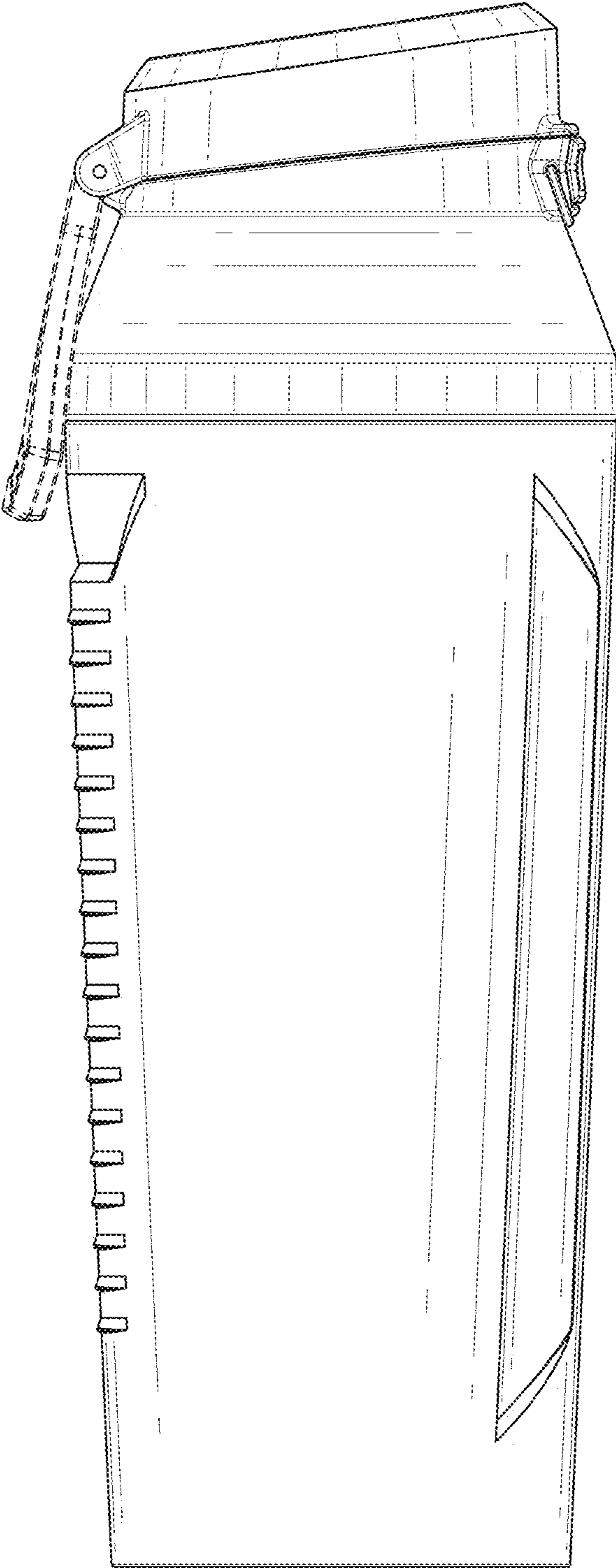


FIG. 5

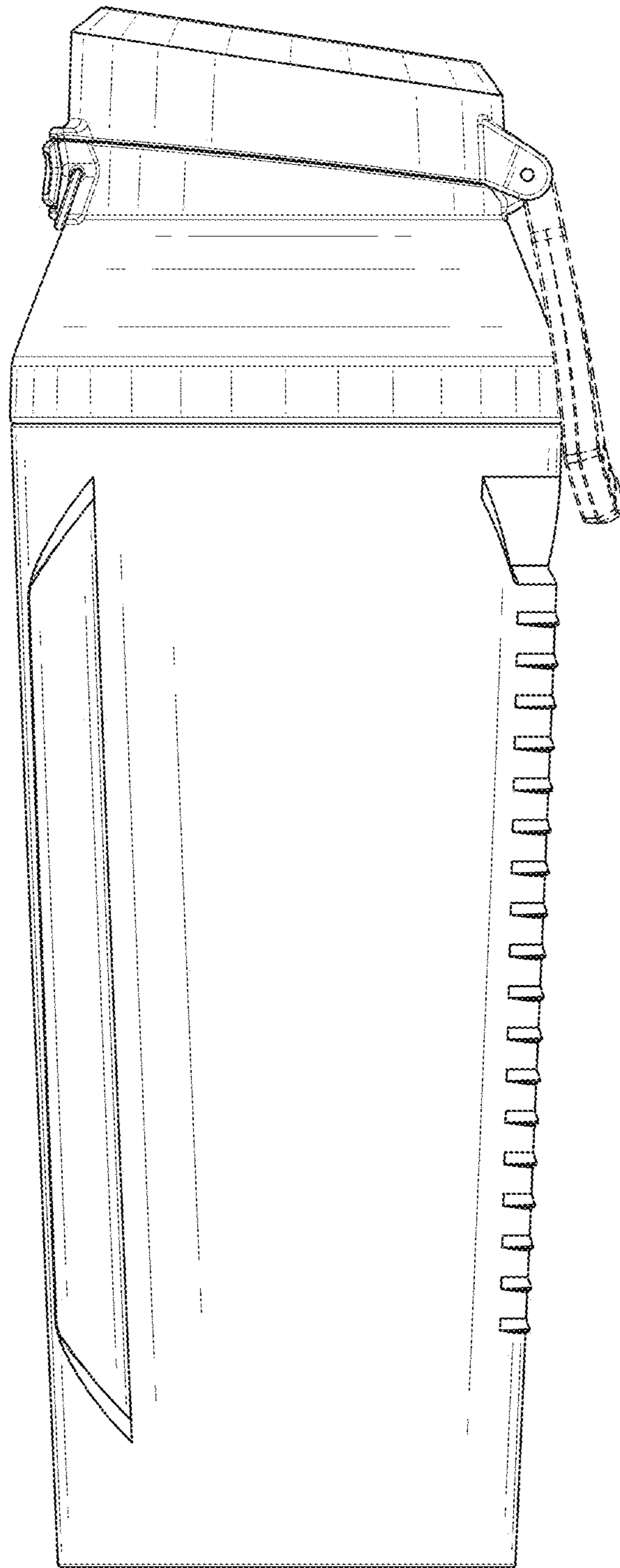


FIG. 6

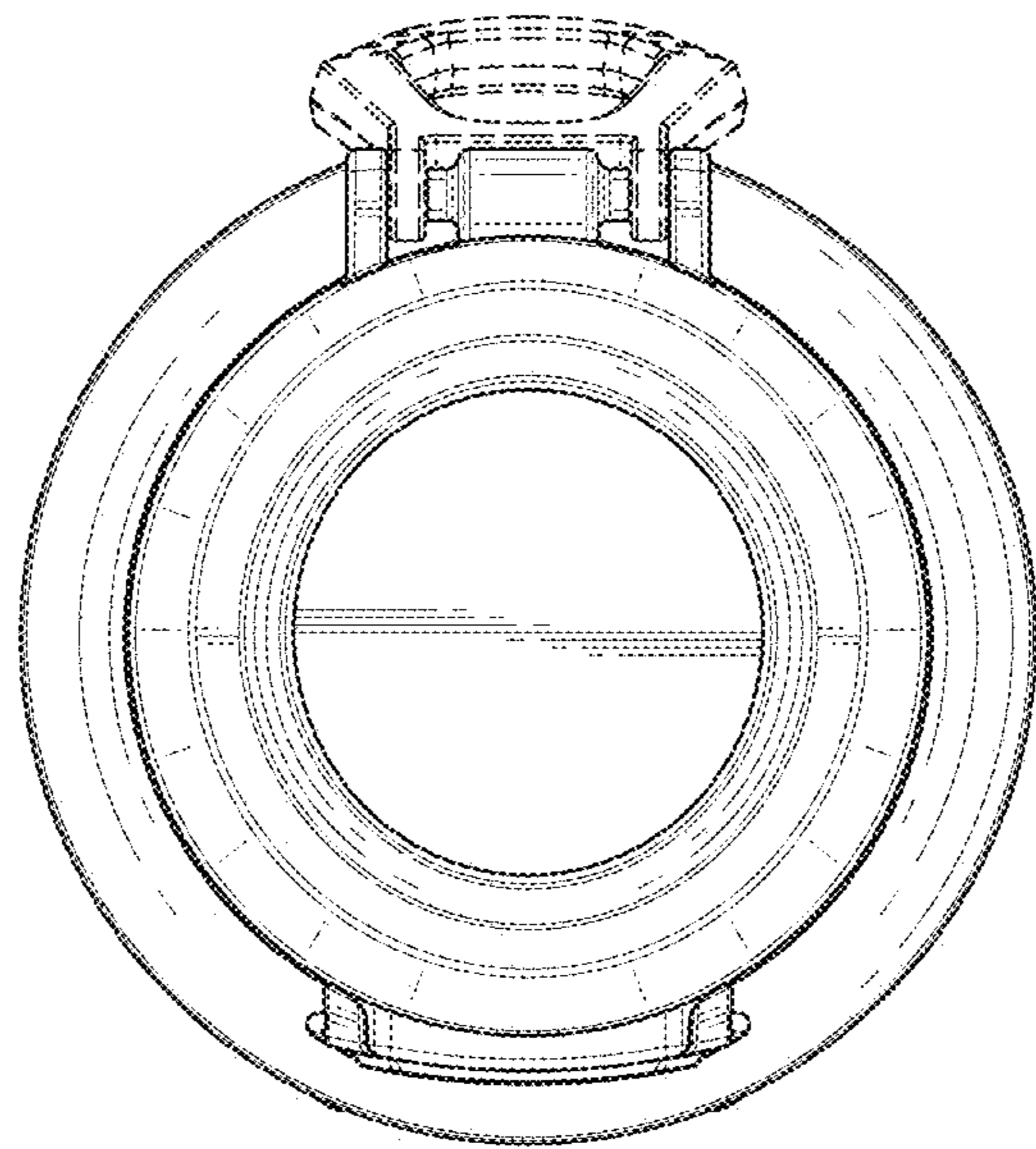


FIG. 7

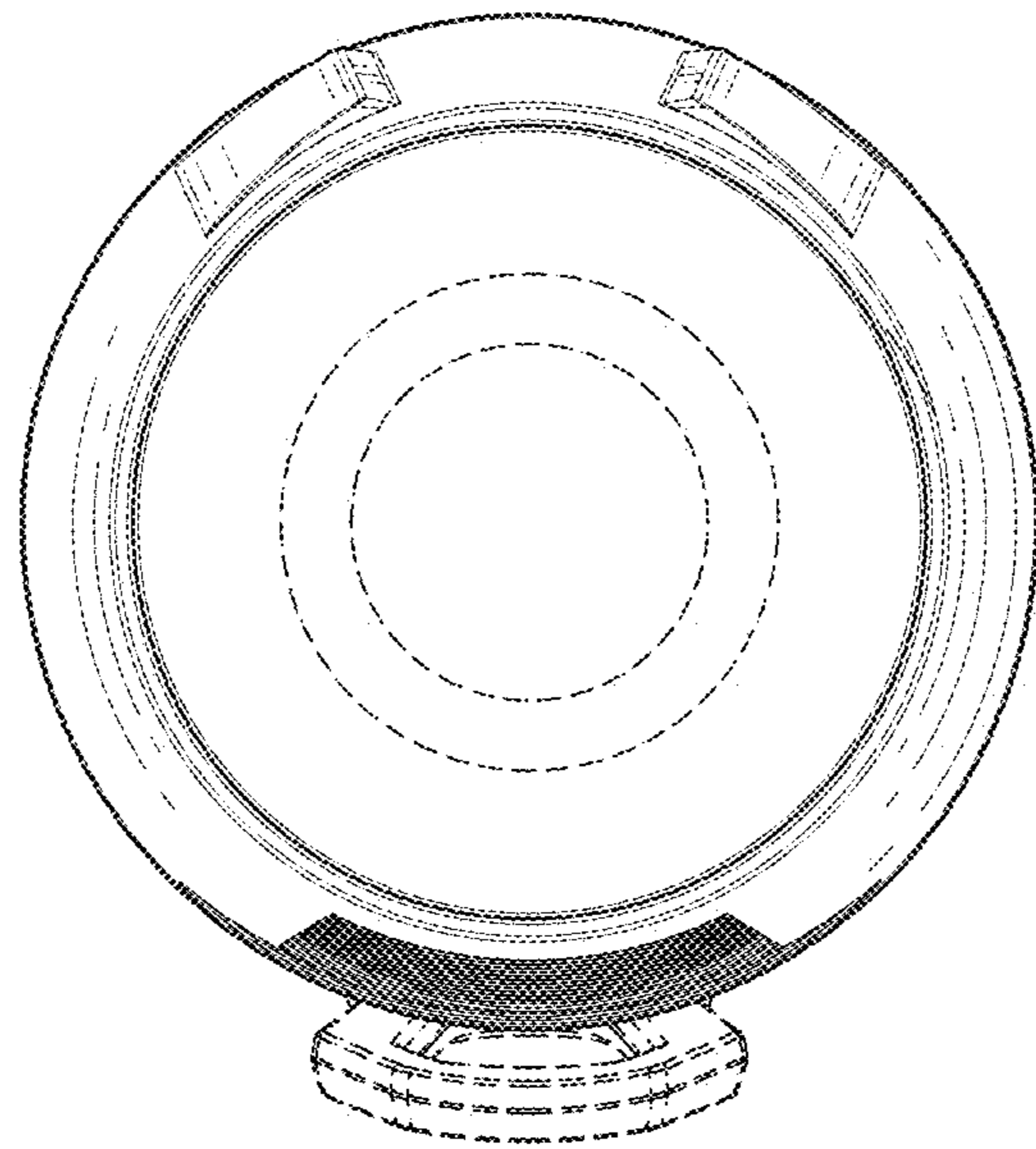


FIG. 8