



US00D907959S

(12) **United States Design Patent**
Hao

(10) **Patent No.:** **US D907,959 S**

(45) **Date of Patent:** **** Jan. 19, 2021**

(54) **WATER BOTTLE**

(71) Applicant: **Junjie Hao**, Guangdong (CN)

(72) Inventor: **Junjie Hao**, Guangdong (CN)

(73) Assignee: **Shenzhen Mlife Household Products Co., Ltd.**, Guangdong (CN)

(**) Term: **15 Years**

(21) Appl. No.: **29/695,677**

(22) Filed: **Jun. 20, 2019**

(51) **LOC (13) Cl.** **07-01**

(52) **U.S. Cl.**
USPC **D7/510; D7/511**

(58) **Field of Classification Search**
USPC D7/507, 509, 510, 511, 513, 529, 531, D7/532, 523, 533, 534, 535, 536, 392.1, D7/296.1, 396.2, 300.1, 608, 300, 320, D7/624.1, 624.2; D3/202; D9/501, 503, D9/504, 530, 529, 522, 554, 567, 571, D9/569, 449, 516
CPC A47G 19/22; A47G 19/2288; A47G 19/2205; A47G 19/2211; A47J 41/0077; A45F 3/16

See application file for complete search history.

(56) **References Cited**

U.S. PATENT DOCUMENTS

D700,014 S * 2/2014 Zeanah D7/510
D780,516 S * 3/2017 Cornelius D7/510
D808,711 S * 1/2018 Joseph D7/392.1
D814,855 S * 4/2018 Hammer D7/392.1
D820,637 S * 6/2018 Davis D7/392.1
D830,771 S * 10/2018 Lin D7/510

D838,549 S * 1/2019 Gu D7/510
D866,250 S * 11/2019 Barber D7/392.1
D870,508 S * 12/2019 Palkon D7/392.1
D872,522 S * 1/2020 Diener D7/392.1
D878,866 S * 3/2020 Cheng D7/510
2016/0207672 A1* 7/2016 Wong B65D 43/0225

OTHER PUBLICATIONS

https://www.amazon.com/dp/B07N1XLFXV/ref=sspa_dk_detail_6?psc=1&spLa=ZW5jenIwdGVkUXVhbGlmaWVyPUEzUIYySEFEWVZIMDA4JmVuY3J5cHRIZEIkPUEwNzI4ODM5MVAyWE5VR1RINUVPU CZIbmNyeXB0ZWRBZEIkPUEwNTIwMjc4M0NRMIBXODhNNFduTyZ3aWRnZXROYW11PjNwX2RidGFpbDImYWN0aW9uPWNsaWNrUmVkaXJlY3QmZG9Ob3RMb2dDbGlja z10cnVI (Year: 2019).*
https://www.amazon.com/s?k=water+bottle+with+handle+lid&ref=nb_sb_noss_2 (Year: 2020).*

* cited by examiner

Primary Examiner — Jae Liang

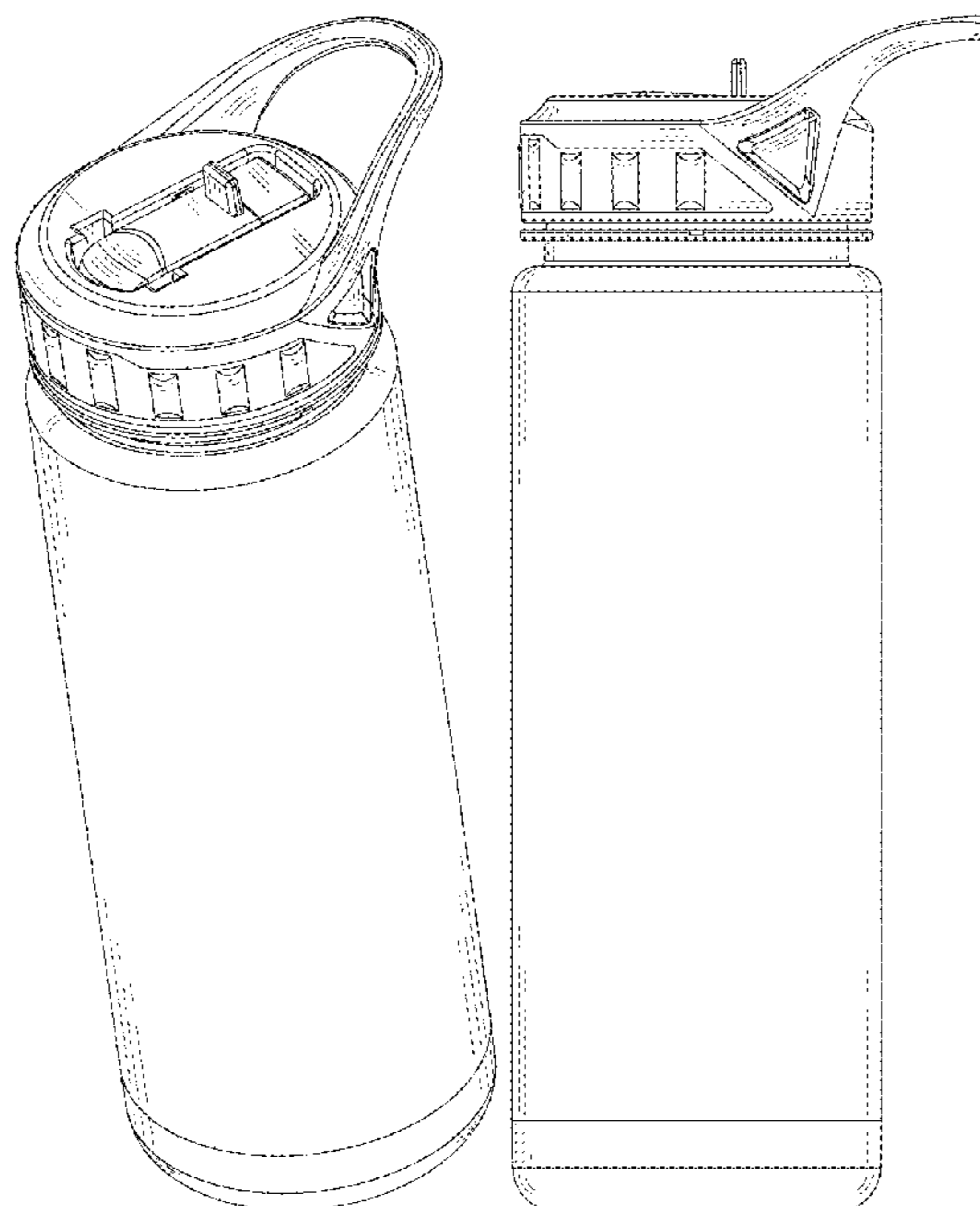
(57) **CLAIM**

The ornamental design for a water bottle, as shown and described.

DESCRIPTION

FIG. 1 is a perspective view of a water bottle showing my new design;
FIG. 2 is a front elevation view thereof;
FIG. 3 is a rear elevation view thereof;
FIG. 4 is a left side elevation view thereof;
FIG. 5 is a right side elevation view thereof;
FIG. 6 is a top plan view thereof; and,
FIG. 7 is a bottom plan view thereof.
The broken lines in the drawings depict portions of the water bottle that form no part of the claimed design.

1 Claim, 7 Drawing Sheets



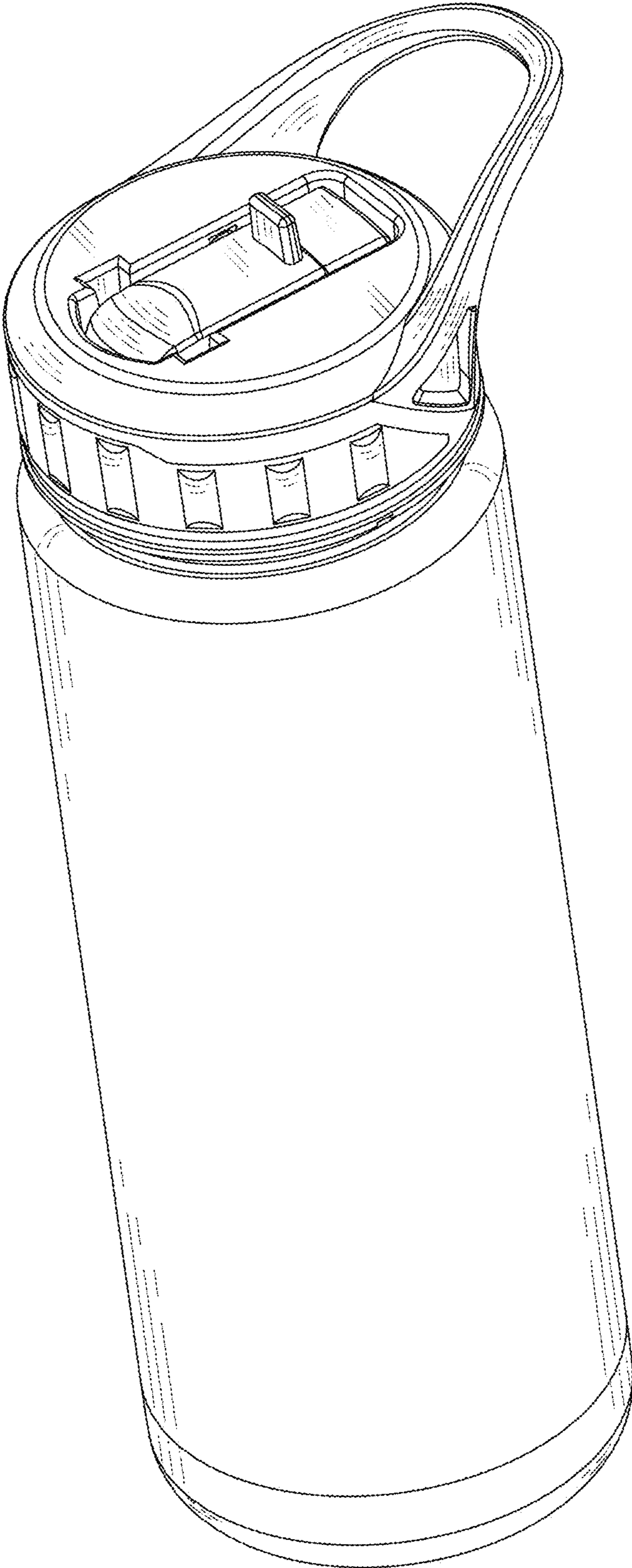


FIG.1

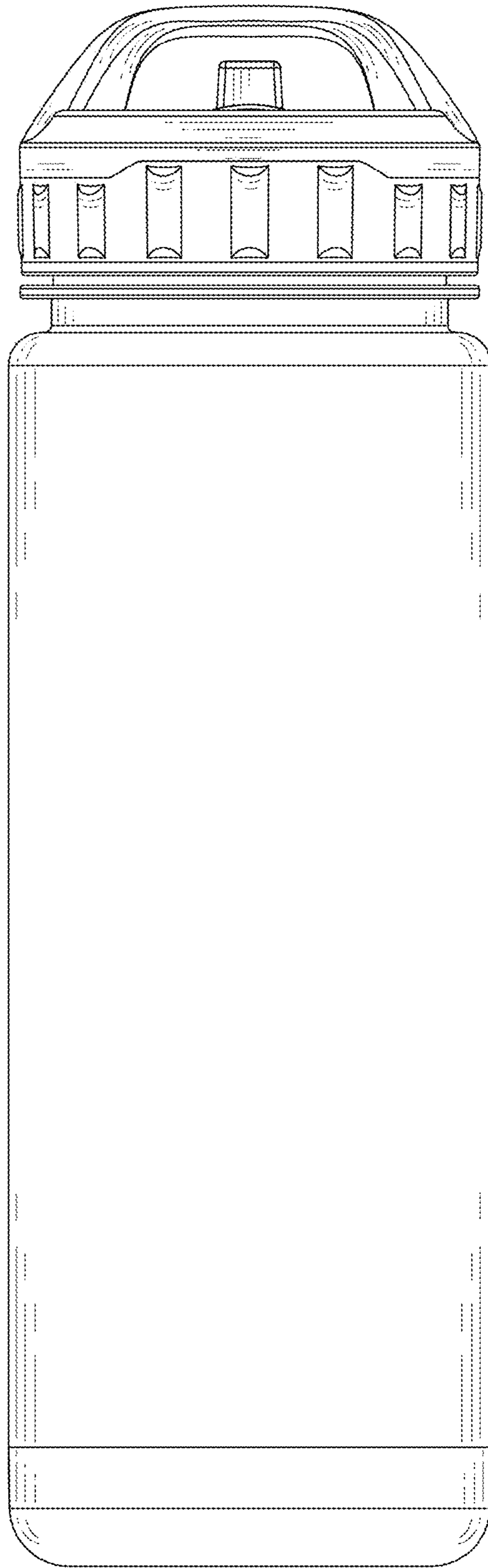


FIG. 2

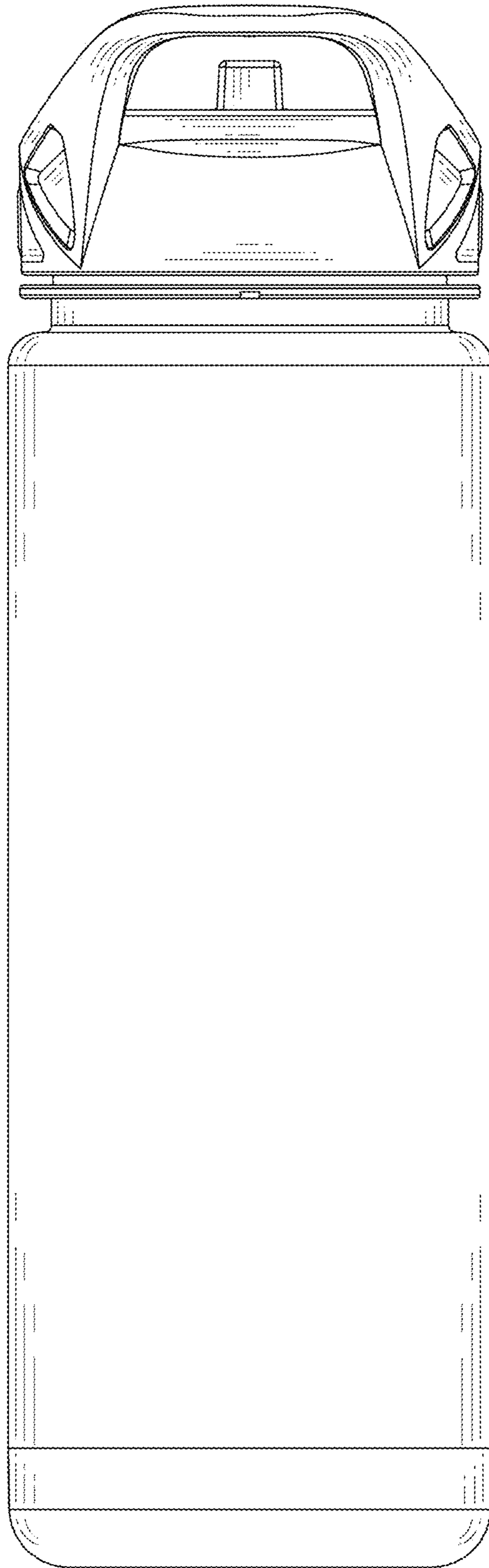


FIG.3

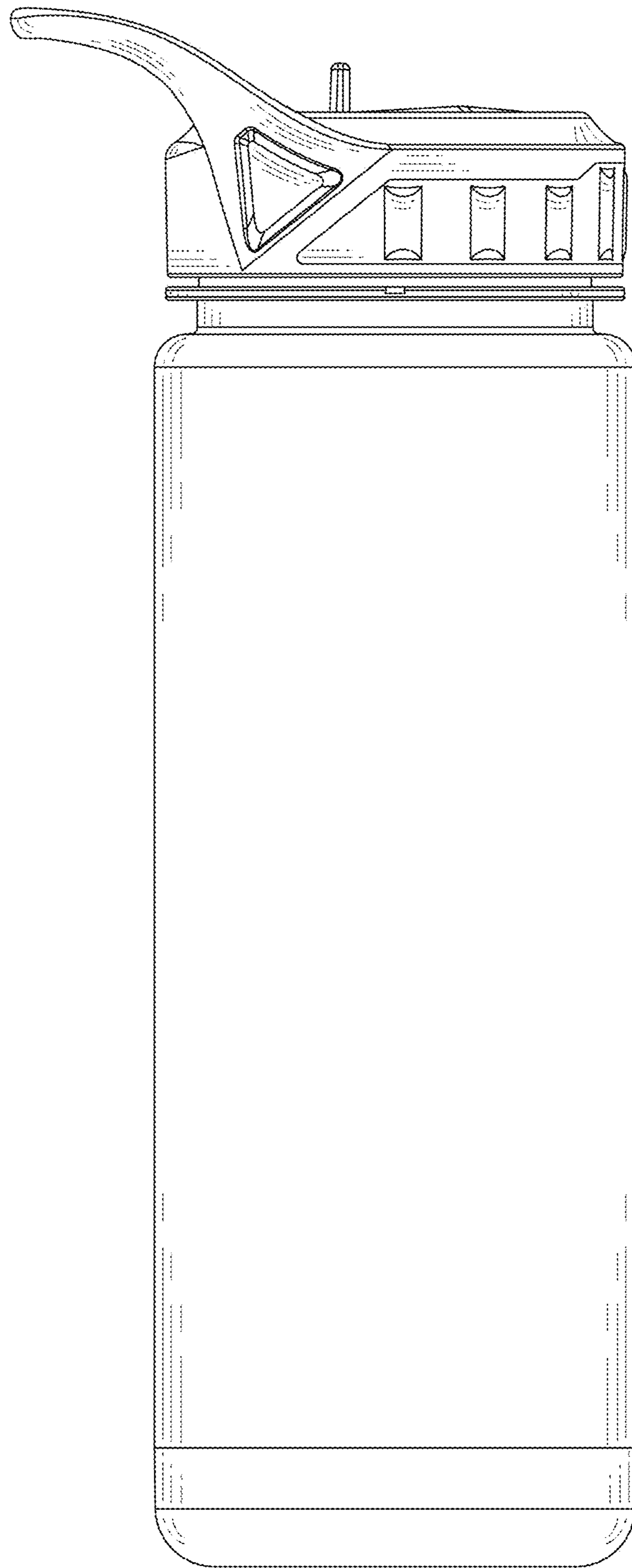


FIG.4

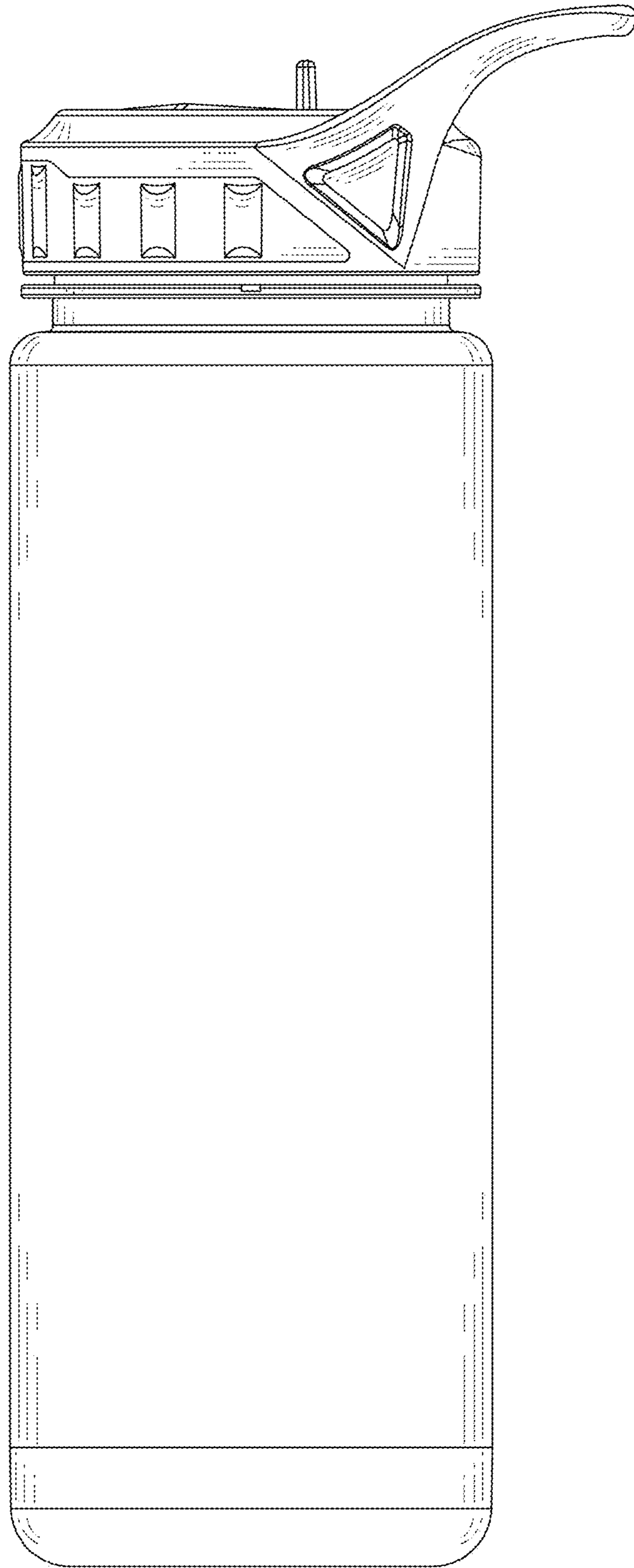


FIG. 5

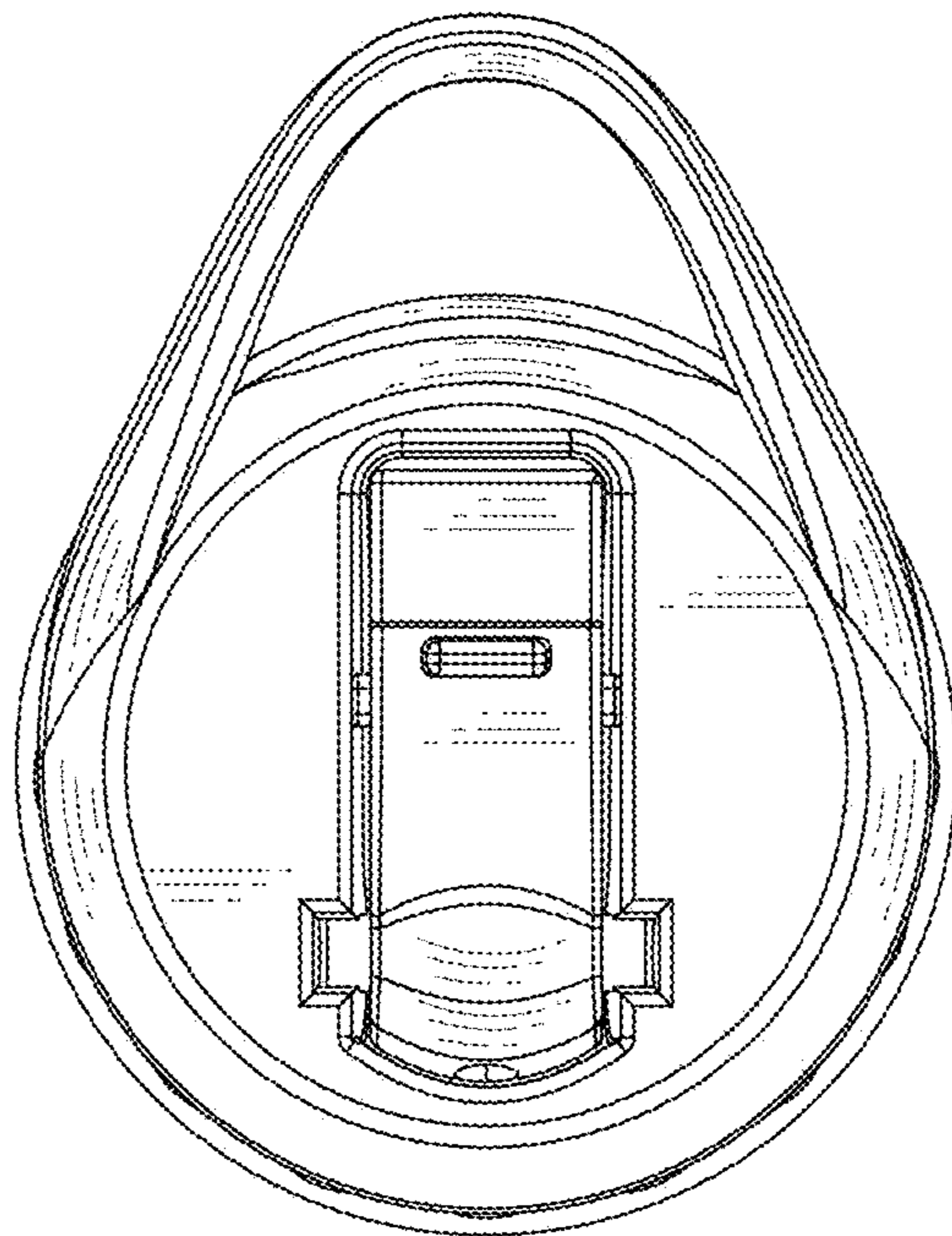


FIG. 6

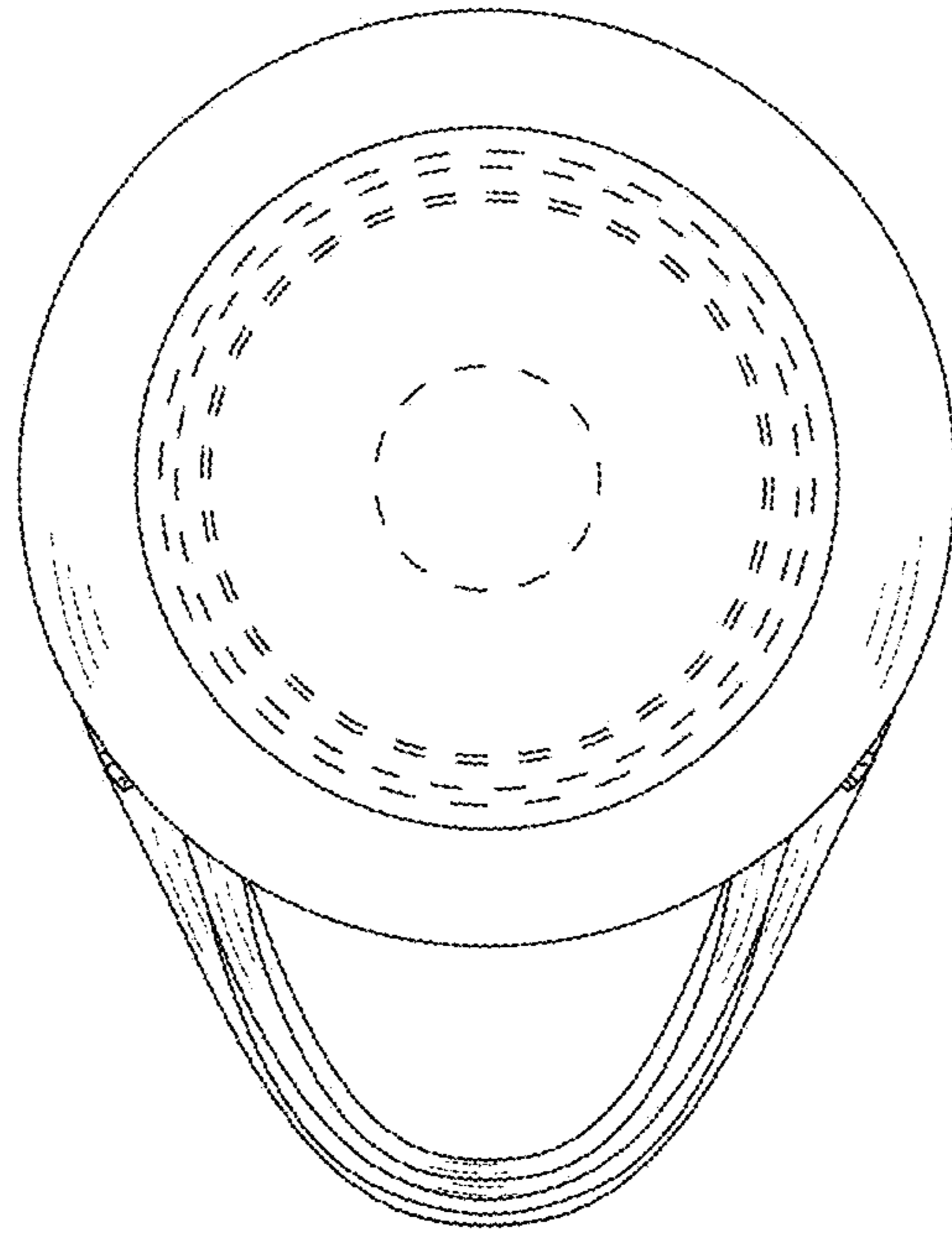


FIG. 7