



US00D907958S

(12) **United States Design Patent** (10) **Patent No.:** **US D907,958 S**  
**Fastabend et al.** (45) **Date of Patent:** **\*\* Jan. 19, 2021**

(54) **BLADE SET**

(71) Applicant: **Prince Castle LLC**, Carol Stream, IL (US)

(72) Inventors: **Mark Fastabend**, Chicago, IL (US); **Kyle Kestner**, Schaumburg, IL (US); **Anthony Caringella**, Norridge, IL (US); **Michael Graef**, Naperville, IL (US); **Julia Padvoiskis**, Chicago, IL (US); **Eric Larson**, Pecatonica, IL (US); **Scott Hammac**, Joliet, IL (US)

(73) Assignee: **Prince Castle LLC**, Carol Stream, IL (US)

(\*\*) Term: **15 Years**

(21) Appl. No.: **29/726,806**

(22) Filed: **Mar. 5, 2020**

**Related U.S. Application Data**

(63) Continuation of application No. 29/644,249, filed on Apr. 16, 2018, now Pat. No. Des. 880,235, which is a continuation of application No. 29/589,214, filed on Dec. 29, 2016, now Pat. No. Des. 817,712, which is a continuation of application No. 29/517,820, filed on Feb. 17, 2015, now Pat. No. Des. 778,673.

(51) **LOC (13) Cl.** ..... **31-00**

(52) **U.S. Cl.**  
USPC ..... **D7/412**

(58) **Field of Classification Search**  
USPC ..... D7/376-386, 412, 673, 695; D23/387  
CPC ..... B26B 29/063; B26D 1/14; B26D 1/143; B26D 1/15; B26D 1/153; B26D 1/157; B26D 1/18; B26D 1/28; B26D 3/26; B26D 3/283; B26D 5/00; B26D 5/06; B26D 5/08; B26D 5/10; B26D 5/12; B26D 5/22; B26D 5/26; B26D 5/38; B26D 5/42; B26D 7/00; B26D 7/01; B26D 7/08; B26D 7/12; B26D 7/18;

B26D 7/1818; B26D 7/22; B26D 7/225; B26D 7/24; B26D 7/26; B26D 7/2614; B26D 7/2621; B26D 7/2628; B26D 7/2635; B26D 7/30; B26D 7/32; B26D 7/325; B27G 13/00; B27G 13/005; B27G 13/10

See application file for complete search history.

(56) **References Cited**

**U.S. PATENT DOCUMENTS**

1,685,245 A 9/1928 Calogero  
2,058,765 A 10/1936 Blumenkranz et al.  
2,563,237 A 6/1947 Grocoff  
(Continued)

**OTHER PUBLICATIONS**

Edlund, Manual Fruit & Vegetable Slicer, 2014.  
(Continued)

*Primary Examiner* — Ricky Pham

(74) *Attorney, Agent, or Firm* — Andrus Intellectual Property Law, LLP

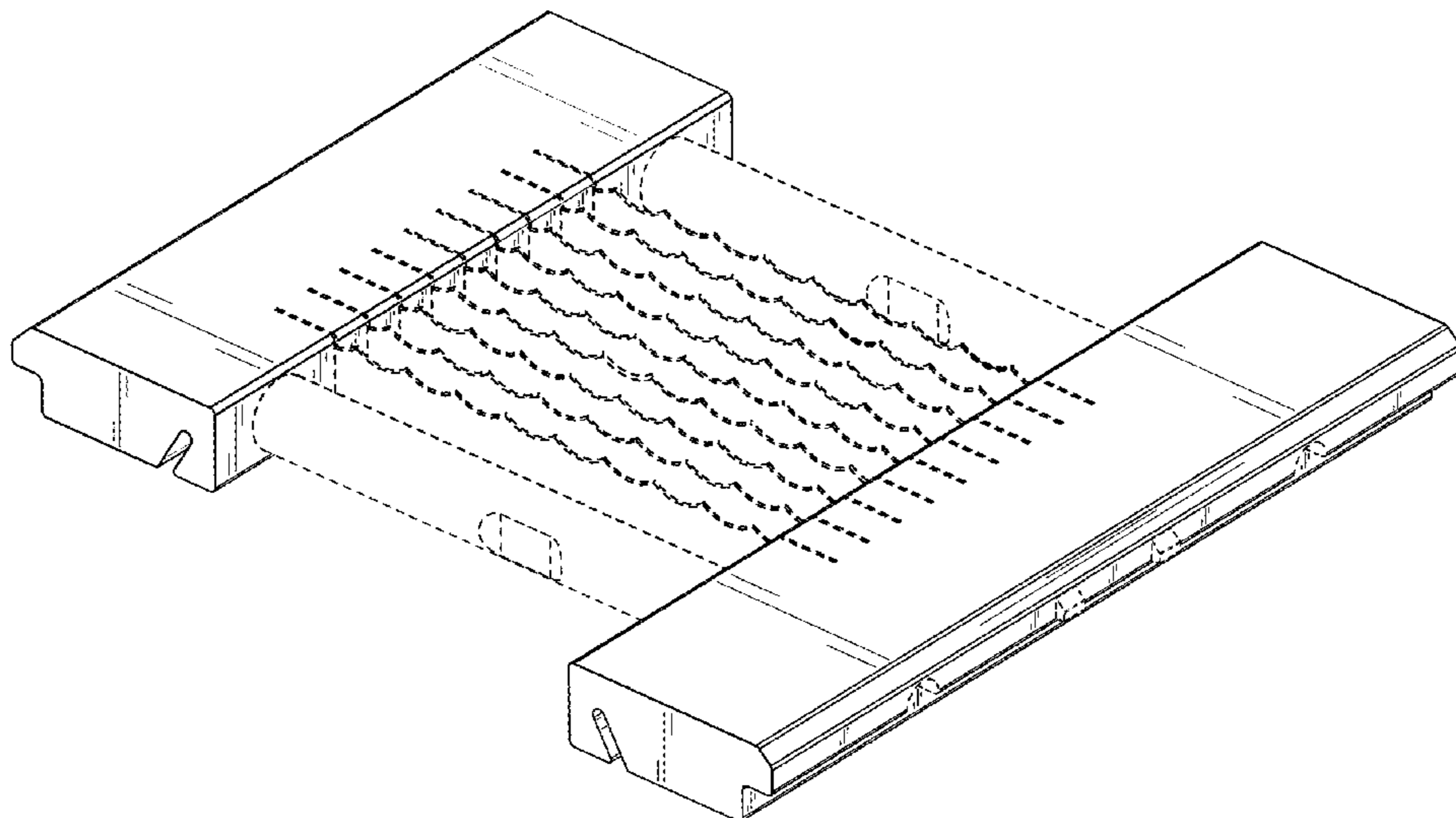
(57) **CLAIM**

The ornamental design for a blade set, as shown and described.

**DESCRIPTION**

FIG. 1 is a perspective view of a blade set; FIG. 2 is a left view thereof; FIG. 3 is a right view thereof; FIG. 4 is a back side view thereof; FIG. 5 is a front side view thereof; FIG. 6 is a top view thereof; and, FIG. 7 is a bottom view thereof. The broken lines showing of various portions and other elements in the Figures are for the purpose of illustrating unclaimed portions and form no part of the claimed design.

**1 Claim, 7 Drawing Sheets**



(56)

References Cited

U.S. PATENT DOCUMENTS

2,472,699 A 6/1949 Gangemi  
 D158,999 S 6/1950 Paul  
 D164,693 S 10/1951 Kooas  
 2,836,212 A 5/1958 Albert  
 3,163,192 A 12/1964 Lupoli  
 3,277,574 A 10/1966 Giasi  
 3,369,582 A 2/1968 Giangiulio  
 3,463,211 A 8/1969 Holz  
 3,605,839 A 9/1971 Gerson  
 3,605,840 A 9/1971 Morrett  
 3,807,266 A 4/1974 Camp  
 3,924,501 A 12/1975 Cohen et al.  
 4,040,319 A 8/1977 Taniyama  
 4,059,037 A 11/1977 Gerson et al.  
 D264,542 S \* 5/1982 Doyel ..... D7/695  
 4,383,365 A 5/1983 Metzgian  
 4,570,519 A 2/1986 Motosko, II  
 D297,798 S 9/1988 Leung  
 D304,139 S 10/1989 Miles  
 5,245,902 A 9/1993 Pereira  
 5,343,623 A 9/1994 Cole et al.  
 5,749,145 A 5/1998 Bauklah  
 D400,065 S 10/1998 Fohrman  
 D406,990 S 3/1999 Ocampo  
 6,033,304 A 3/2000 Haynes  
 6,041,682 A 3/2000 Jensen et al.  
 6,082,645 A \* 7/2000 Himmighofen ..... B26D 3/283  
 241/168  
 D475,584 S \* 6/2003 Bachman ..... D7/673  
 D505,302 S 5/2005 Veltrop et al.

D579,538 S \* 10/2008 Brown, Jr. .... D23/387  
 9,333,661 B1 \* 5/2016 Nguyen ..... B26B 29/063  
 D778,673 S 2/2017 Fastabend et al.  
 D810,520 S \* 2/2018 Winn ..... D7/673  
 D817,712 S 5/2018 Fastabend et al.  
 D869,904 S \* 12/2019 Fastabend ..... D7/412  
 D880,235 S \* 4/2020 Fastabend ..... D7/412  
 D892,551 S \* 8/2020 Fastabend ..... D7/412  
 2004/0025651 A1 2/2004 Bachman et al.  
 2005/0199115 A1 9/2005 Veltrop et al.  
 2006/0185488 A1 8/2006 Short et al.  
 2010/0031830 A1 \* 2/2010 Engdahl ..... B26D 3/26  
 99/538  
 2010/0116153 A1 5/2010 Chen et al.  
 2014/0208917 A1 \* 7/2014 Whitney ..... B26D 5/10  
 83/858  
 2016/0052156 A1 2/2016 Wright

OTHER PUBLICATIONS

Nemco, Operating and Maintenance Instruction for Lettuce Kutter, 2012.  
 Nemco, Easy Cartride Onion Slicer, 2008.  
 Prince Castle LLC, Dice Witch, 2009.  
 Prince Castle LLC, Lettuce Kutlett, 2009.  
 Prince Castle LLC, Tomato Saber Operating Instructions, 1999.  
 Vollrath, Onion King Operator's Manual, 2014.  
 Notice of Allowance issued for U.S. Appl. No. 29/589,214 dated Mar. 1, 2018.  
 Fastabend et al., "Blade Set", Unpublished Design U.S. Appl. No. 29/644,249, filed Apr. 16, 2018.

\* cited by examiner

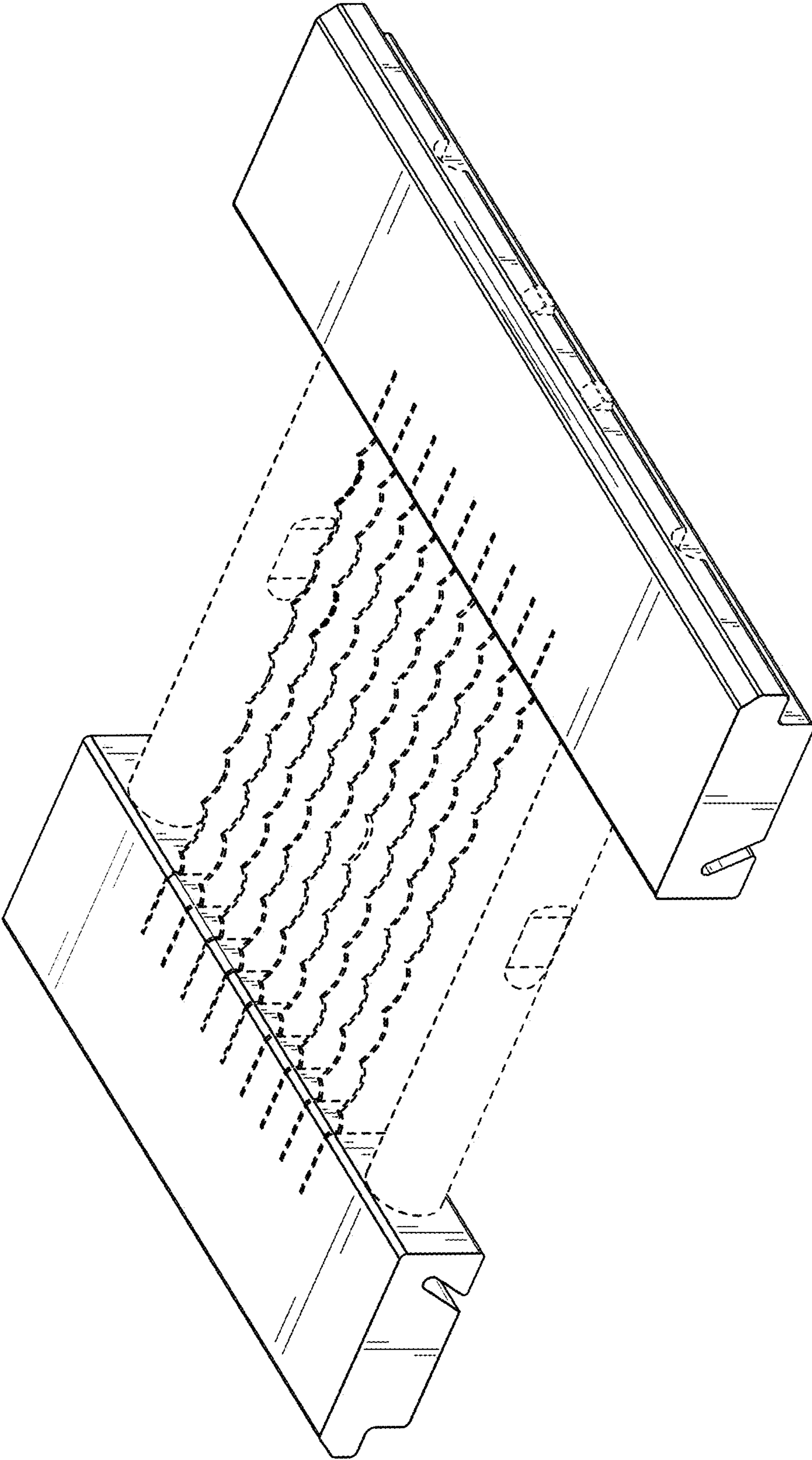


FIG. 1



FIG. 2



FIG. 3

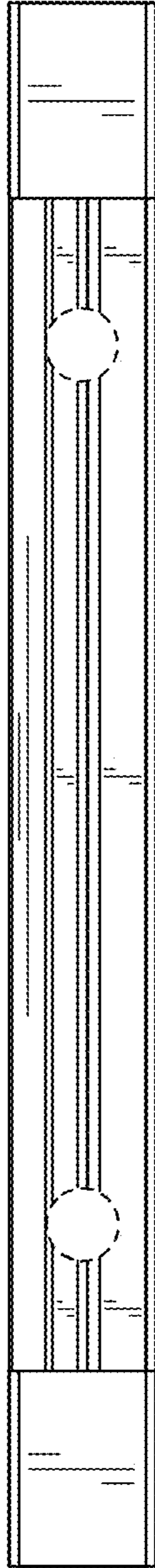


FIG. 4

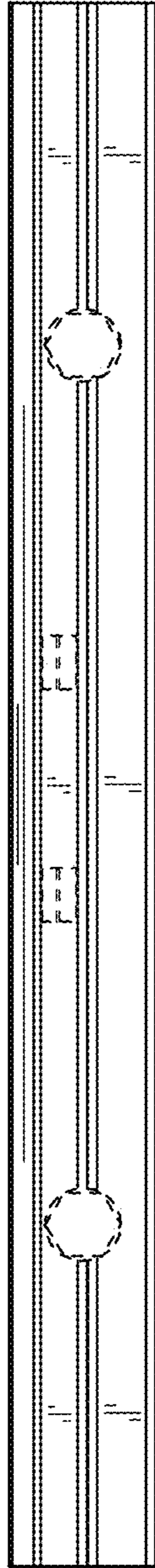


FIG. 5

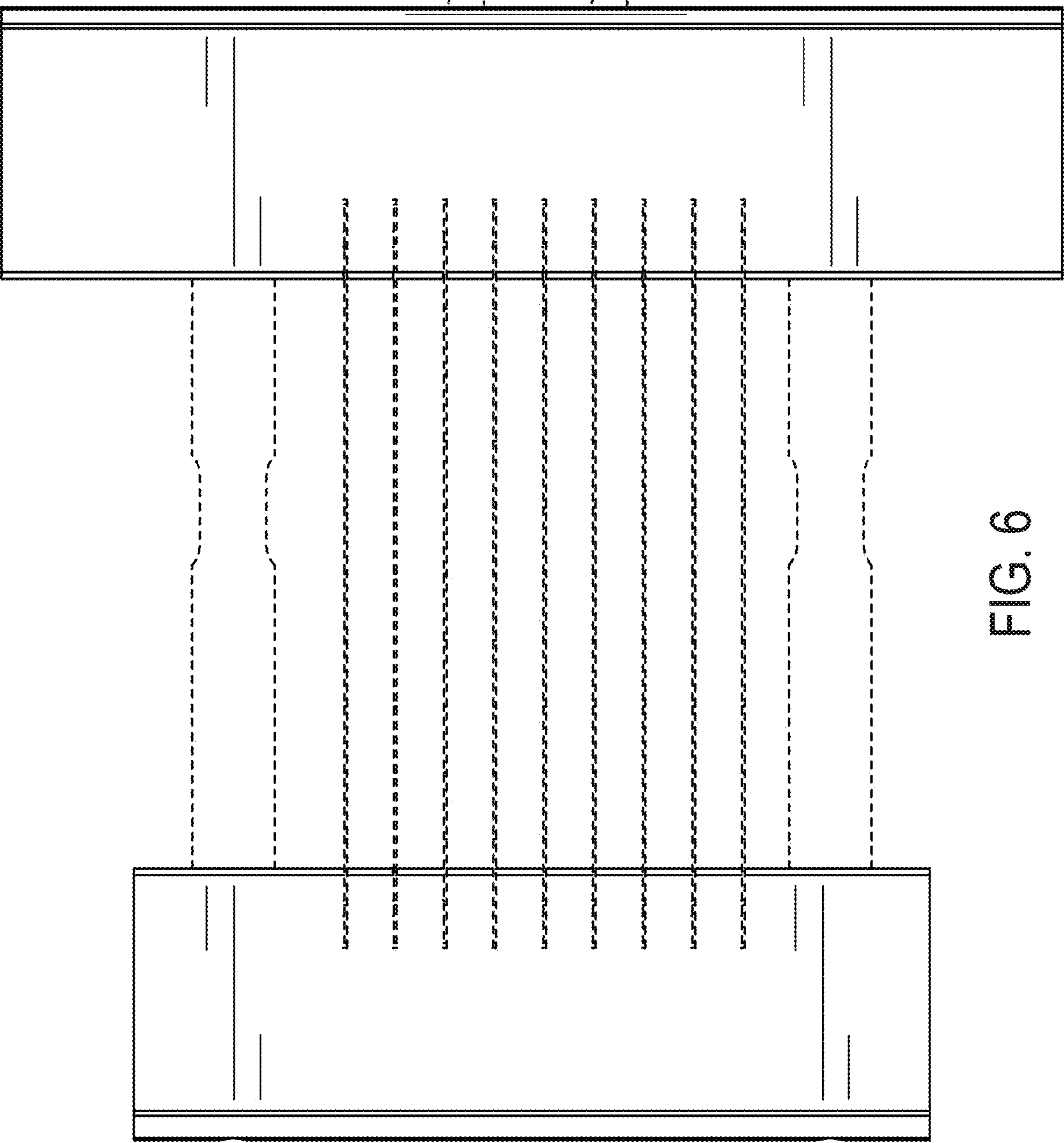


FIG. 6



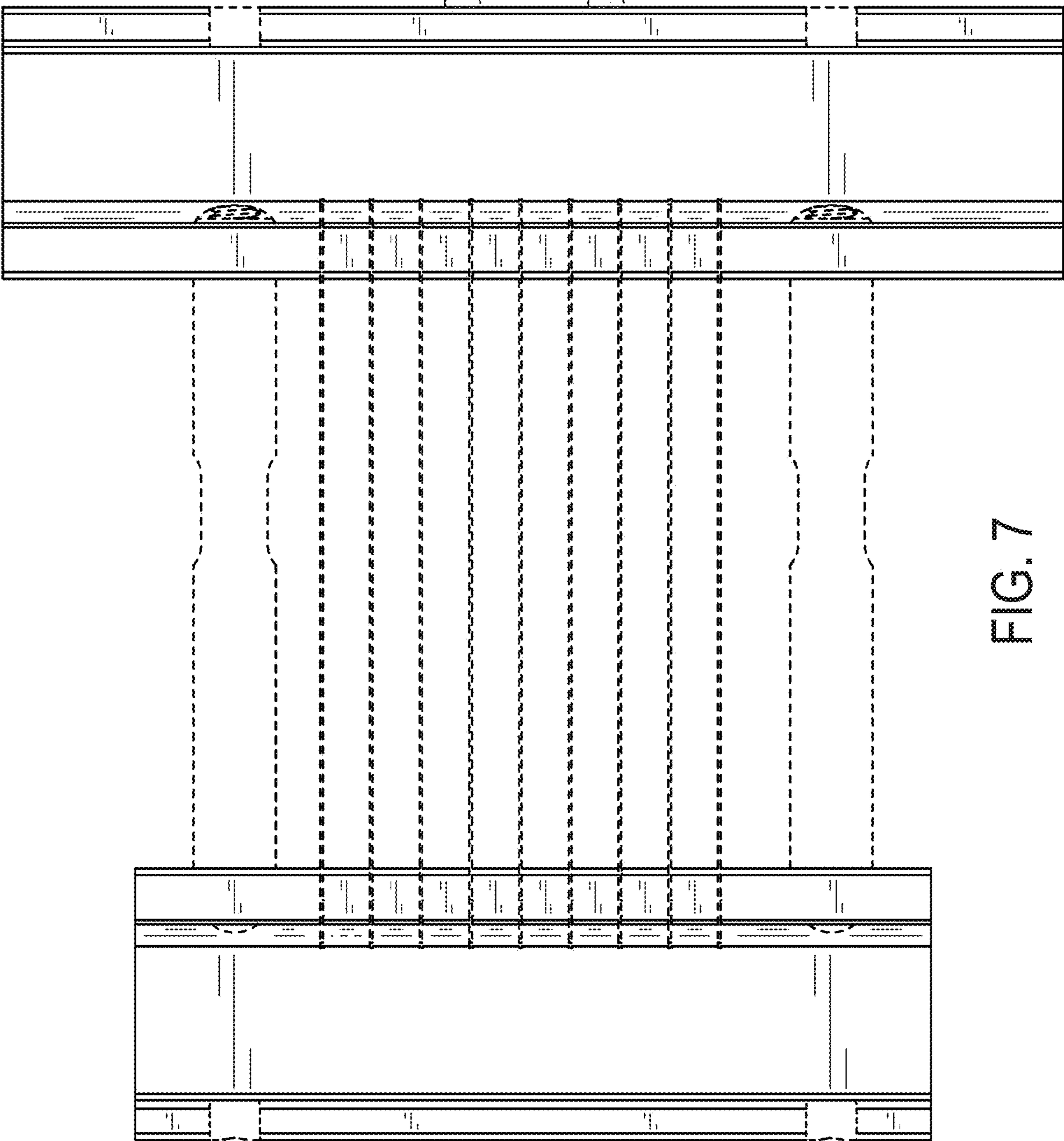


FIG. 7