



US00D907957S

(12) **United States Design Patent**
Reiser et al.

(10) **Patent No.:** **US D907,957 S**
(45) **Date of Patent:** **** Jan. 19, 2021**

(54) **DISPENSING FITMENT**

FOREIGN PATENT DOCUMENTS

(71) Applicant: **Rich Products Corporation**, Buffalo, NY (US)

CN 201714470 U 1/2011
CN 203131292 U 8/2013

(Continued)

(72) Inventors: **Ralf Reiser**, Orchard Park, NY (US);
Seung-Yeol Hong, Amherst, NY (US);
Kory Muise, Tonawanda, NY (US);
Shawn Campbell, Burlington (CA)

OTHER PUBLICATIONS

Watts, "ANKA A Series Pipe Fittings," <<https://www.watts.com/dfsmedia/0533dbba17714b1ab581ab07a4cbb521/21403-source/options/download>> webpage accessed Feb. 18, 2019.

Primary Examiner — Brett Miller

(73) Assignee: **Rich Products Corporation**, Buffalo, NY (US)

(74) *Attorney, Agent, or Firm* — Michael Best & Friedrich LLP

(**) Term: **15 Years**

(21) Appl. No.: **29/666,442**

(57) **CLAIM**

We claim the ornamental design for a dispensing fitment, as shown and described.

(22) Filed: **Oct. 12, 2018**

(51) **LOC (13) Cl.** **07-99**

DESCRIPTION

(52) **U.S. Cl.**

USPC **D7/398**; D23/238

(58) **Field of Classification Search**

USPC D7/397-401, 311, 306, 309, 605, 392.1,
D7/396.2, 316-319, 312, 313, 300;
D23/255-257, 238-253, 213, 233;
137/801; D9/440, 447, 449, 450
CPC E03C 1/0404; E03C 1/0405; E03C 1/0407;
B65D 77/065; B65D 77/068; B65D
47/068; B65D 47/26; B65D 47/305;
B65D 77/067; B65D 75/5866; B65D
75/5872; B65D 75/5877; B67D 1/0021;
B67D 1/0044

See application file for complete search history.

FIG. 1 is a front perspective view of a dispensing fitment according to a first embodiment of the present invention. FIG. 2 is a rear perspective view of the dispensing fitment of FIG. 1. FIG. 3 is a left-side view of the dispensing fitment of FIG. 1. FIG. 4 is a right-side view of the dispensing fitment of FIG. 1. FIG. 5 is a front view of the dispensing fitment of FIG. 1. FIG. 6 is a rear view of the dispensing fitment of FIG. 1. FIG. 7 is a top view of the dispensing fitment of FIG. 1; and, FIG. 8 is a bottom view of the dispensing fitment of FIG. 1. The portions of the dispensing fitment shown in broken lines are included for the purpose of illustrating environment and form no part of the claimed design. The portions of the dispensing fitment shown in broken lines having unequal length segments illustrate the boundary of the claimed design and form no part of the claimed design.

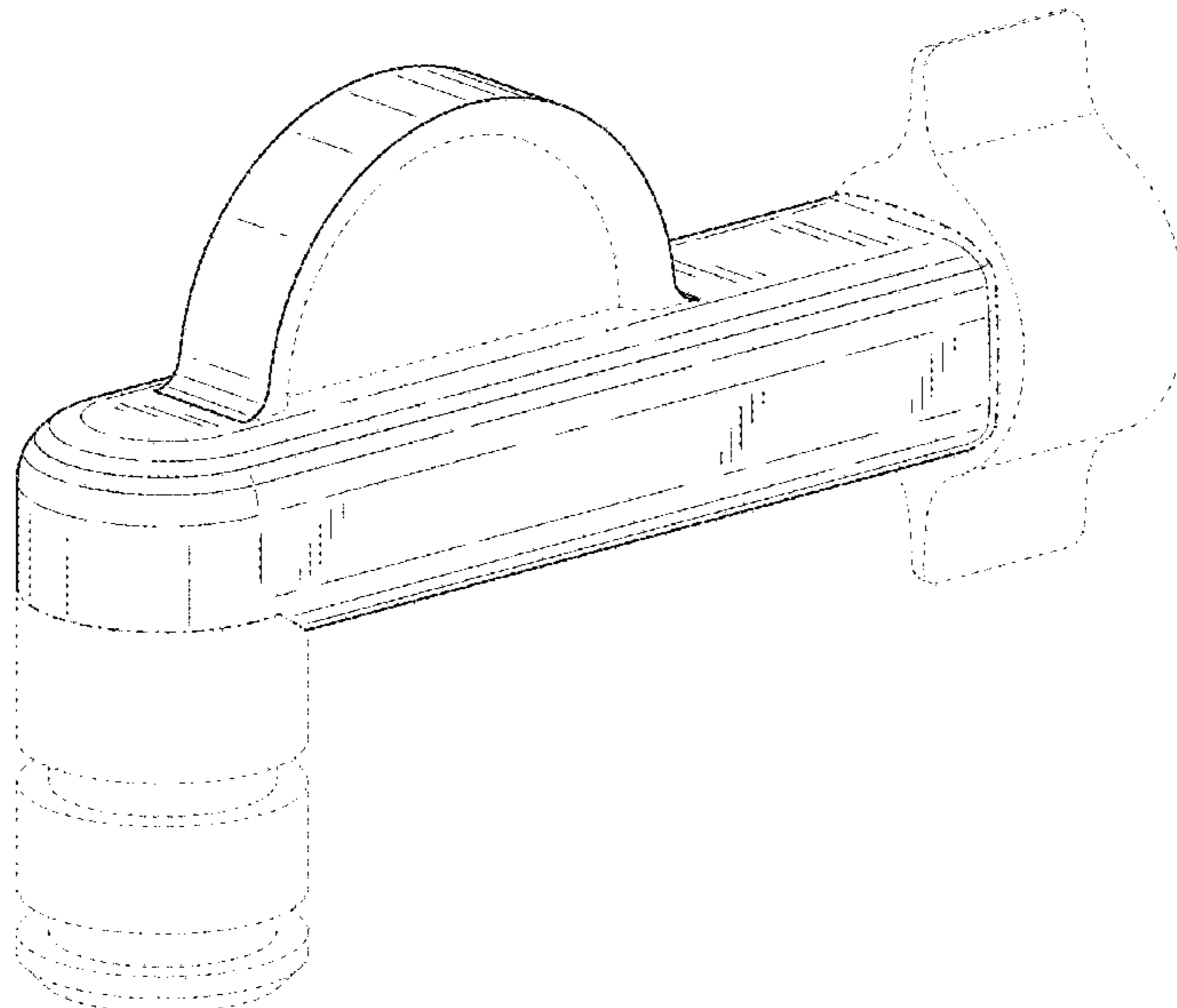
(56) **References Cited**

U.S. PATENT DOCUMENTS

D7,452 S * 5/1874 Boettcher D23/238
D22,570 S * 6/1893 Winfield D23/238

(Continued)

1 Claim, 6 Drawing Sheets



(56)

References Cited

U.S. PATENT DOCUMENTS

D30,893 S * 5/1899 Levy D23/238
 D112,115 S * 11/1938 Hoeter D9/440
 D189,335 S * 11/1960 Whetstone D7/398
 D226,763 S * 4/1973 Raub D23/238
 D241,841 S * 10/1976 Frahm D7/398
 D302,582 S * 8/1989 Paul D23/252
 D316,138 S * 4/1991 Paul D23/257
 D328,200 S * 7/1992 Ipsen D7/300.1
 D407,260 S * 3/1999 Martindale D7/306
 5,989,006 A 11/1999 Godeau et al.
 D455,597 S * 4/2002 Lefroy-Brooks D7/313
 D515,668 S * 2/2006 Ng D23/238
 D516,175 S * 2/2006 Ng D23/238
 D560,965 S * 2/2008 Sommerfield D7/398
 D580,519 S * 11/2008 Citterio D23/238
 7,785,514 B2 8/2010 McCarthy
 D665,624 S * 8/2012 Ben-David D7/398
 D673,422 S * 1/2013 Lane D7/398
 D692,103 S * 10/2013 Yeh D23/238
 D698,420 S * 1/2014 Hahn D23/238
 D717,591 S * 11/2014 Bond D7/398
 8,967,674 B2 3/2015 Douglass, III et al.

D769,064 S * 10/2016 Crowell D7/398
 D823,114 S * 7/2018 Johnson D9/447
 D834,683 S * 11/2018 Schoenherr D23/238
 D837,345 S * 1/2019 Garland D23/257
 10,165,843 B2 1/2019 Hedges
 D871,551 S * 12/2019 Shinozaki D23/245
 2011/0042415 A1* 2/2011 Santy B67D 1/0021
 222/144.5
 2014/0251452 A1* 9/2014 Schurle E03C 1/0404
 137/315.12
 2016/0334032 A1 11/2016 Foster et al.
 2019/0359467 A1* 11/2019 Ferro B67D 1/0021
 2020/0102121 A1* 4/2020 Speck B65D 47/305

FOREIGN PATENT DOCUMENTS

CN 104712872 A 6/2015
 CN 105172050 A 12/2015
 CN 205877558 U 1/2017
 CN 207229995 U 4/2018
 KR 20140043011 A 4/2014
 WO 2018008056 A1 12/2018
 WO 2018218398 A1 12/2018

* cited by examiner

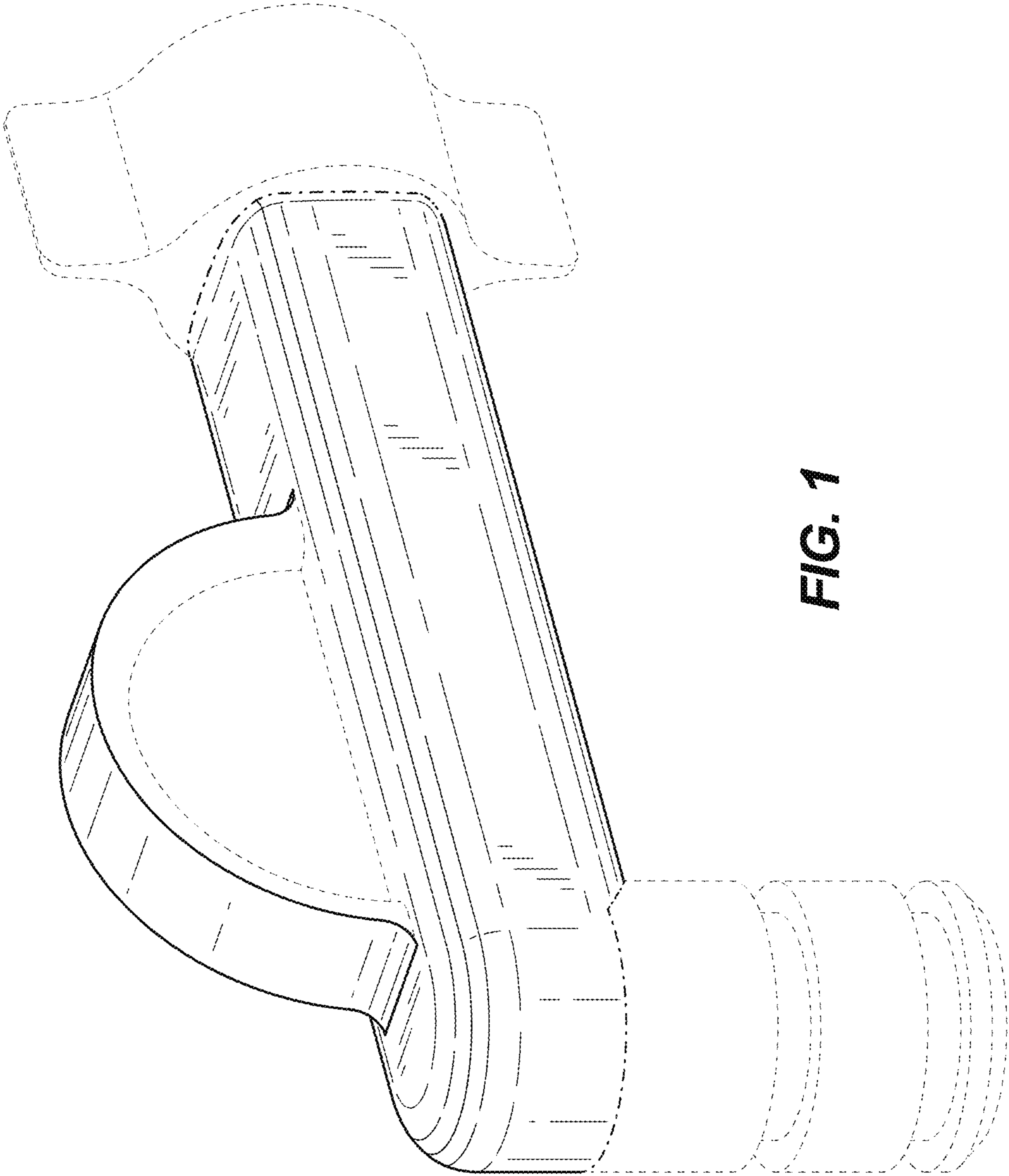


FIG. 1

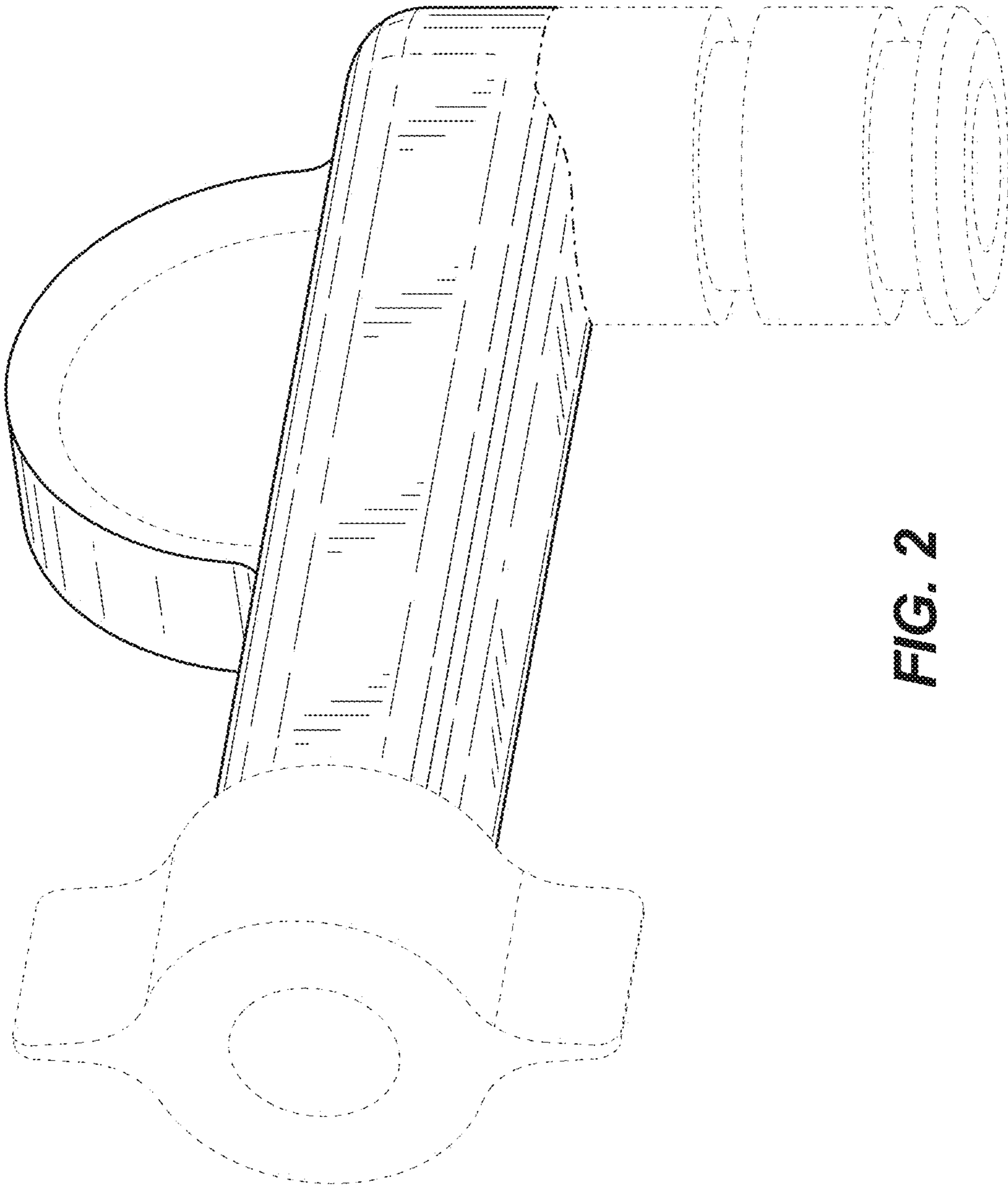


FIG. 2

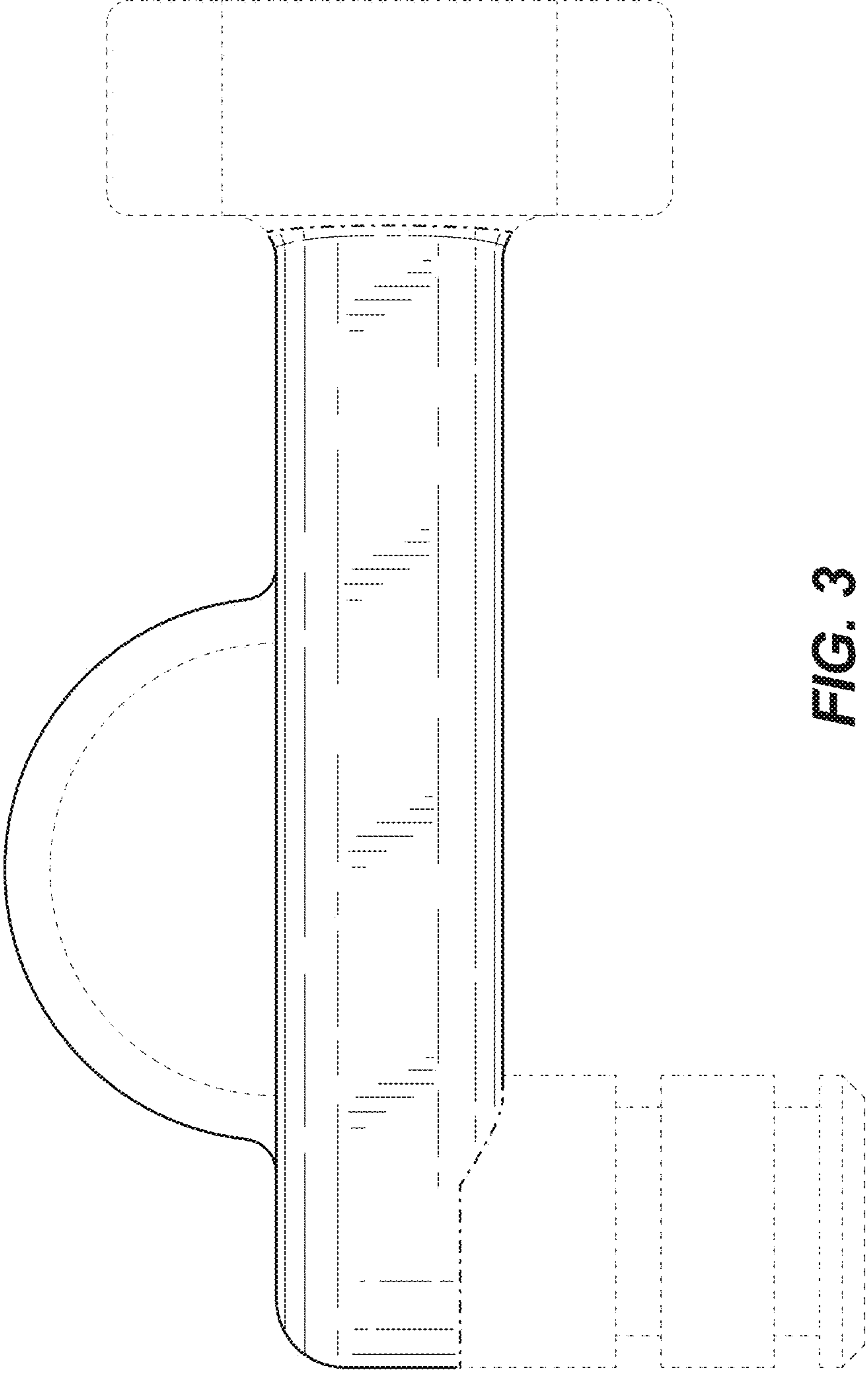


FIG. 3

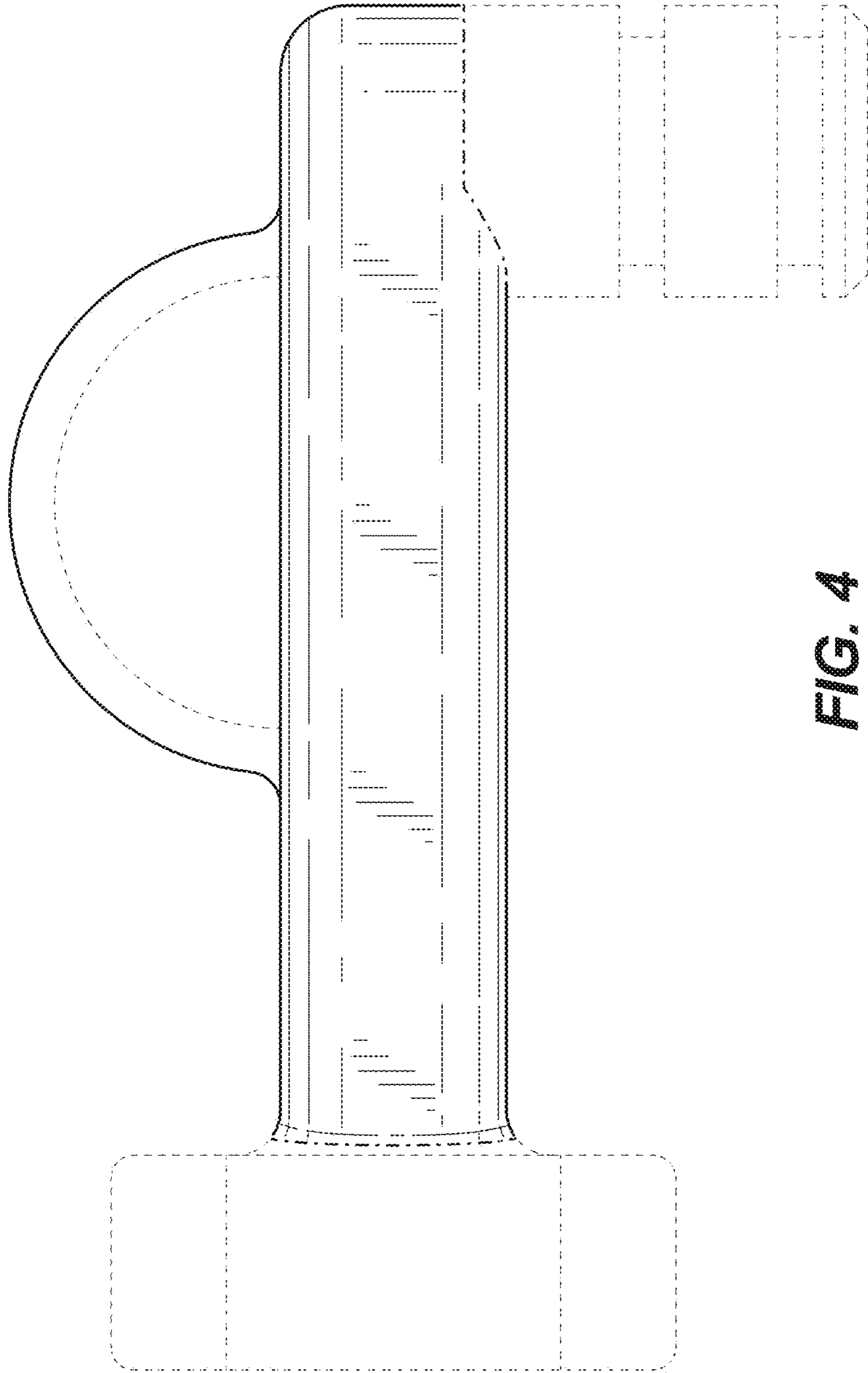


FIG. 4

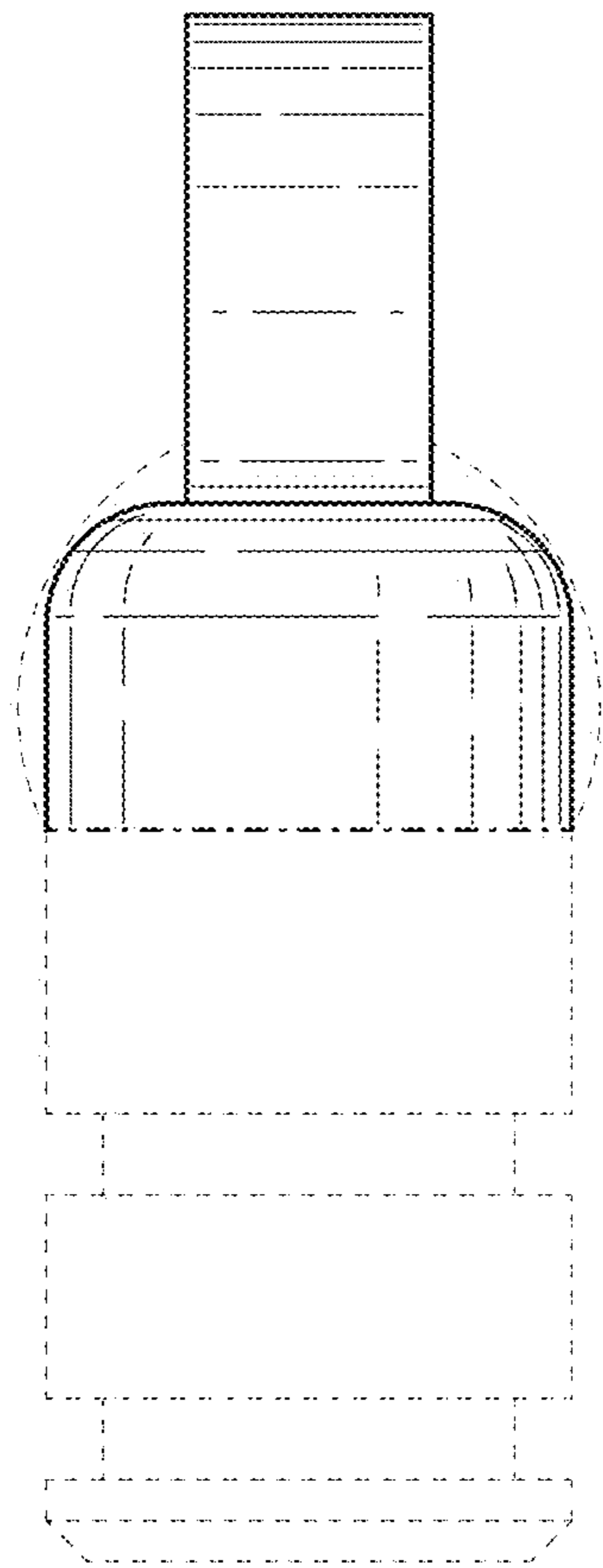


FIG. 5

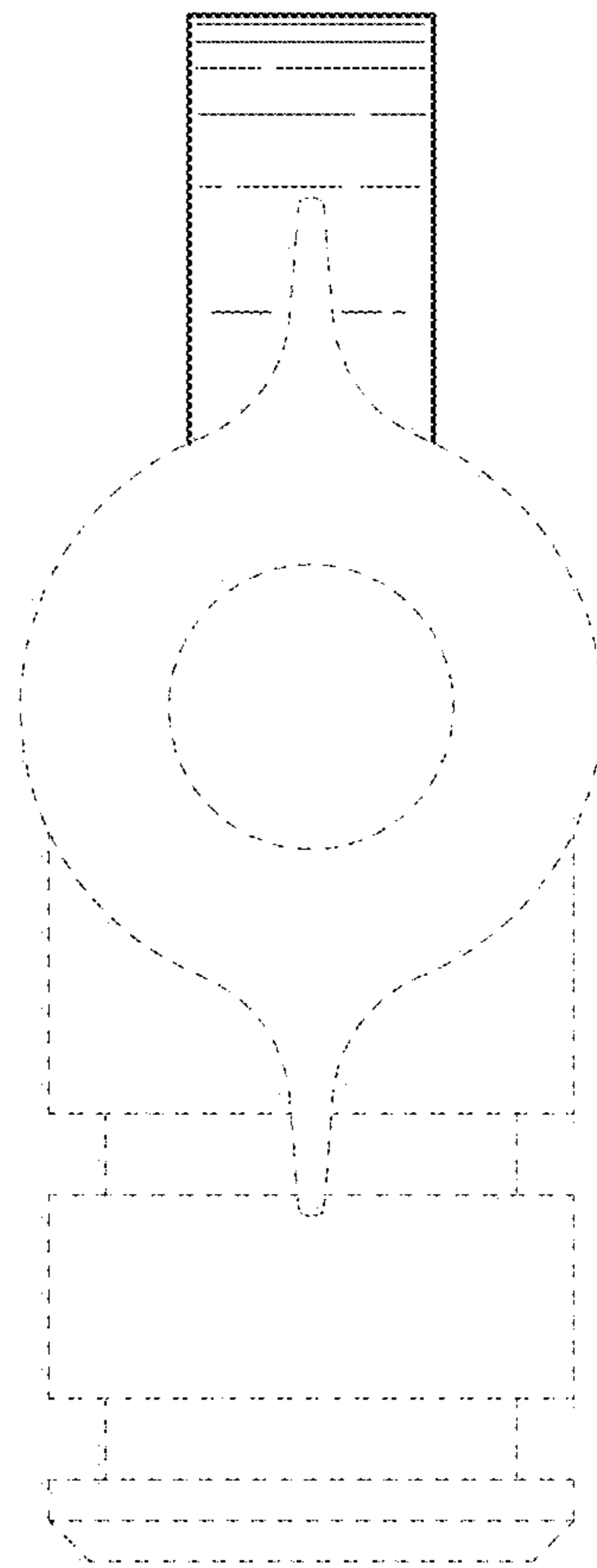


FIG. 6

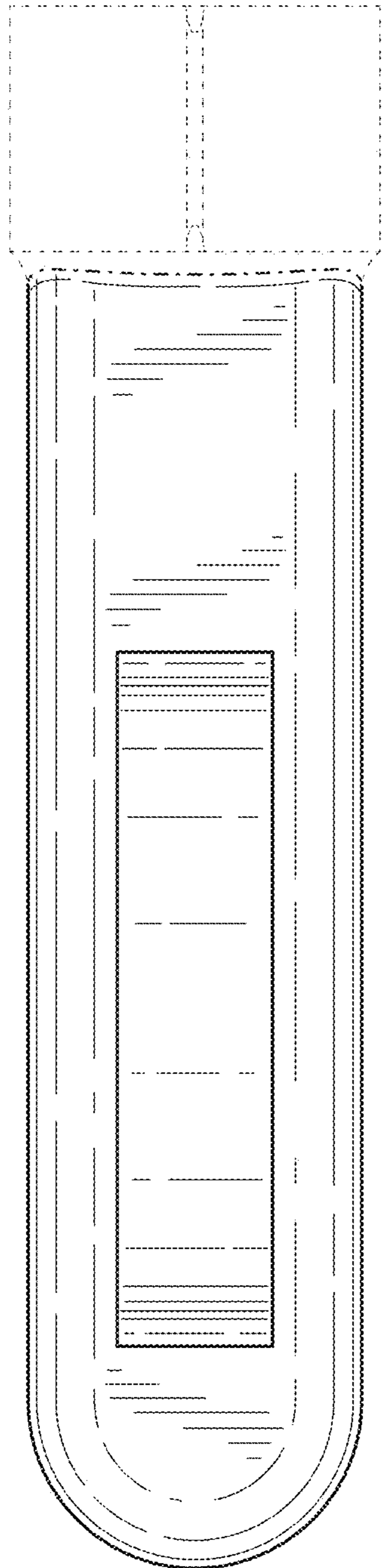


FIG. 7

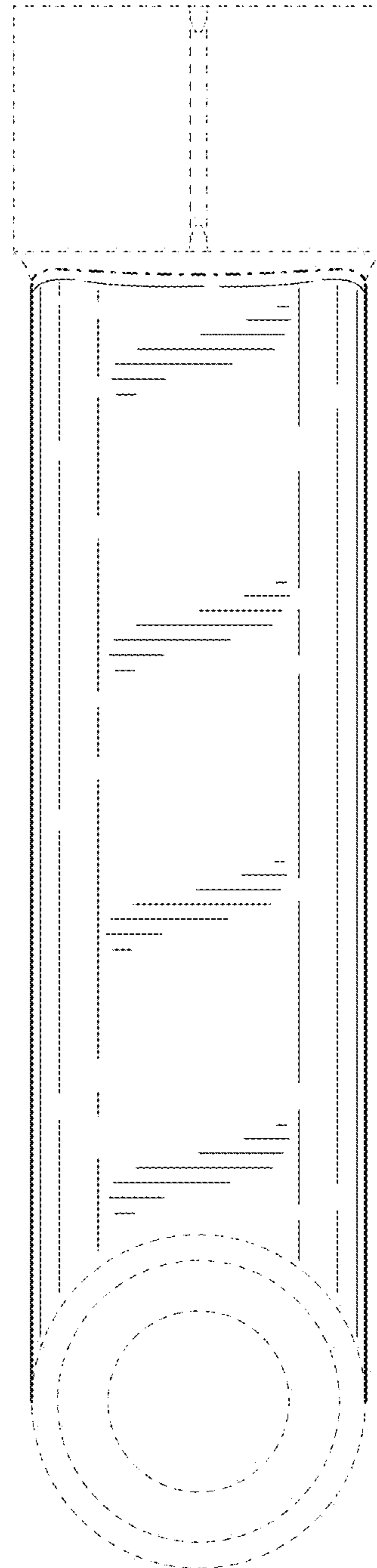


FIG. 8