



US00D907956S

(12) **United States Design Patent**
Silsby

(10) **Patent No.:** **US D907,956 S**

(45) **Date of Patent:** **** Jan. 19, 2021**

(54) **BEVERAGE CONTAINER**

(71) Applicant: **Pacific Market International, LLC**,
Seattle, WA (US)

(72) Inventor: **Jacob D. Silsby**, Seattle, WA (US)

(73) Assignee: **Pacific Market International, LLC**,
Seattle, WA (US)

(**) Term: **15 Years**

(21) Appl. No.: **29/671,539**

(22) Filed: **Nov. 28, 2018**

Related U.S. Application Data

(62) Division of application No. 29/611,373, filed on Jul.
20, 2017, now Pat. No. Des. 837,601.

(51) **LOC (13) Cl.** **07-01**

(52) **U.S. Cl.**
USPC **D7/394; D7/396.2**

(58) **Field of Classification Search**
USPC D7/505, 507, 509, 510, 511, 523, 532,
D7/533, 536, 608, 601, 602, 392.1, 396.2,
D7/512, 708.1, 619.1, 622, 633, 393, 394;
D9/503, 504, 443, 534, 526; D24/197,
D24/199; D3/202; D23/366; D8/107,
D8/300

CPC A47G 19/22; A47G 19/2288; A47G
19/2205; A47G 2019/2277; A45F 3/20;
A47J 41/02

See application file for complete search history.

(56) **References Cited**

U.S. PATENT DOCUMENTS

2,509,851 A 5/1950 White
D171,848 S * 3/1954 Felver D7/394
D195,092 S * 4/1963 Munson D7/394
3,715,895 A 2/1973 Devlin

D226,962 S 5/1973 Krock
D232,010 S 7/1974 Steinmann
D243,911 S 4/1977 Thorud
4,357,809 A 11/1982 Held et al.
D285,637 S * 9/1986 Zieff D7/536
4,618,066 A 10/1986 Vail
D290,568 S 6/1987 Feltman et al.
4,984,707 A 1/1991 Fierthaler
D314,308 S 2/1991 Cogswell
5,573,141 A * 11/1996 Chen A47G 19/2288
220/592.17
D426,134 S * 6/2000 Pytlewski D8/107
(Continued)

OTHER PUBLICATIONS

<https://www.amazon.com/Bubba-Vacuum-Insulated-Stainless-Steel-Travel/dp/B079KHYSHC> (Year: 2018).*

(Continued)

Primary Examiner — Jae Liang

(74) *Attorney, Agent, or Firm* — Davis Wright Tremaine
LLP; George C. Rondeau, Jr.

(57) **CLAIM**

The ornamental design for a beverage container, as shown
and described.

DESCRIPTION

FIG. 1 is a top perspective view of a beverage container
showing my new design.

FIG. 2 is a bottom perspective view thereof.

FIG. 3 is a front elevational view thereof.

FIG. 4 is a right side elevational view thereof.

FIG. 5 is a rear side elevational view thereof.

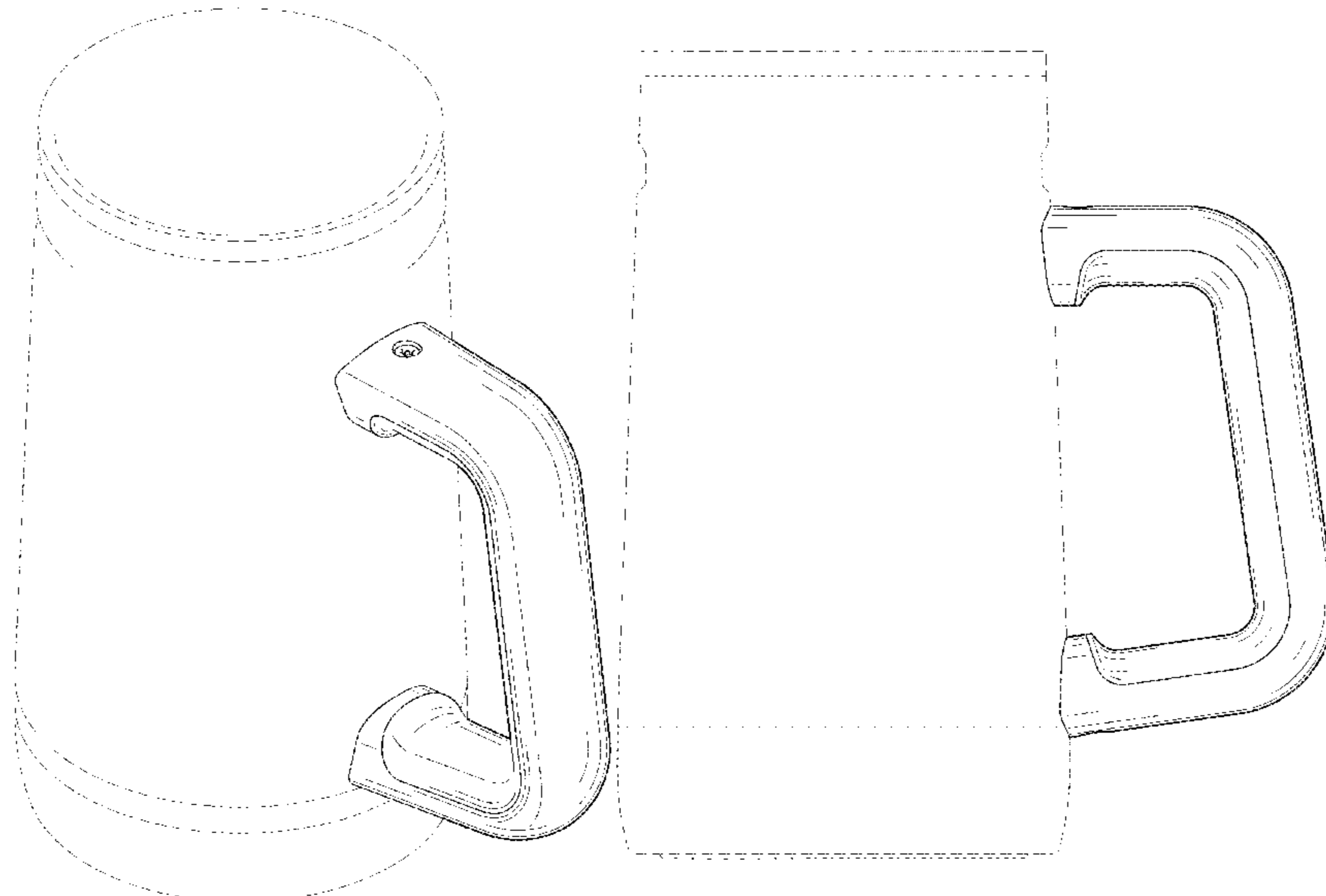
FIG. 6 is a left elevational view thereof.

FIG. 7 is a top plan view thereof; and,

FIG. 8 is a bottom plan view thereof.

The broken lines in the drawings depict portions of the
beverage container that form no part of the claimed design.

1 Claim, 7 Drawing Sheets



(56)

References Cited

U.S. PATENT DOCUMENTS

D434,275 S 11/2000 Ginuntoli et al.
 D438,429 S * 3/2001 Otake D7/510
 D457,036 S 5/2002 Manuel
 6,747,918 B2 * 6/2004 Hight A47G 19/2227
 206/217
 D509,420 S * 9/2005 Hauber D8/300
 D524,107 S * 7/2006 El-Saden D7/523
 D564,300 S * 3/2008 Liu D7/510
 D569,191 S * 5/2008 Germany D7/509
 D586,606 S * 2/2009 Ma D7/317
 D601,852 S * 10/2009 Newman D7/523
 D620,314 S * 7/2010 Dorsey D7/507
 D650,236 S * 12/2011 Schmidt D7/536
 8,439,221 B2 * 5/2013 Davis F25D 3/08
 220/592.01
 D684,819 S * 6/2013 Smith D7/514
 D697,412 S * 1/2014 Jenkins D9/529
 D705,638 S * 5/2014 Aruga B25G 1/04
 D8/300
 D730,696 S * 6/2015 Nemeth D7/523
 D733,499 S * 7/2015 Perman D7/536
 D734,096 S * 7/2015 George D7/523

D761,060 S * 7/2016 Thonis D7/536
 D761,625 S * 7/2016 Engler D7/536
 D797,511 S * 9/2017 Specht D7/523
 D813,606 S * 3/2018 O’Nan D7/532
 D817,093 S * 5/2018 Silsby D7/510
 D817,094 S * 5/2018 Silsby D7/510
 D837,597 S * 1/2019 Silsby D7/511
 D837,598 S * 1/2019 Silsby D7/511
 D837,601 S * 1/2019 Silsby D7/536
 2011/0114648 A1 * 5/2011 Proskey F25D 3/08
 220/592.17
 2018/0014675 A1 * 1/2018 Awala A47G 19/2288

OTHER PUBLICATIONS

<https://www.amazon.com/Fine-Occasion-Monogram-Initial-Engraved/dp/B01ECLNP40> (Year: 2016).
<https://www.amazon.com/Adventure-Grip-Beer-Stein-24oz/dp/B07NPKXDB2> (Year: 2018).
 Stanley ADV Stein, 1 page, Stanley product publicly disclosed prior to Jul. 20, 2017.
 Stanly Classic Stein, 1 page, Stanley product publicly disclosed prior to Jul. 20, 2017.

* cited by examiner

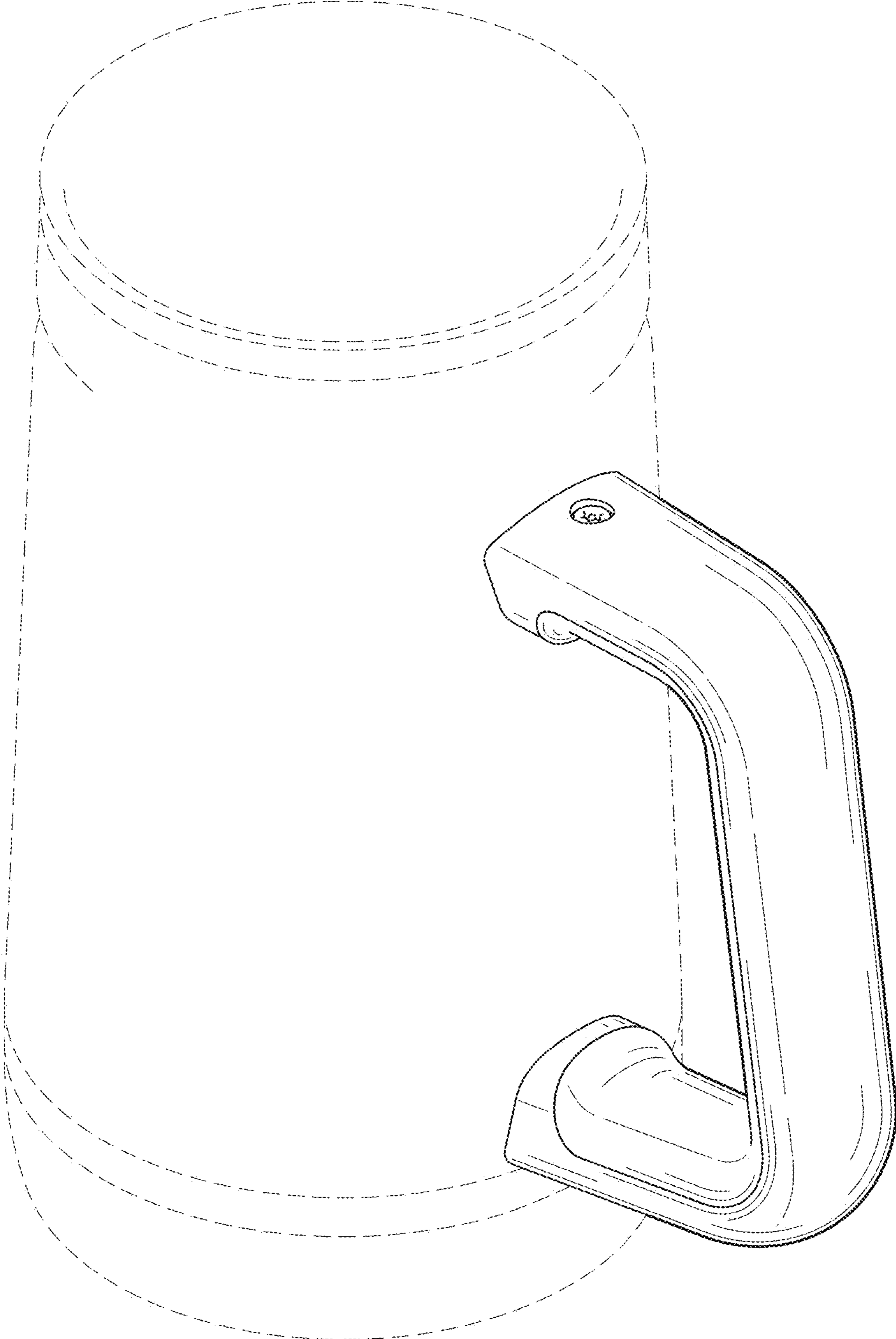


FIG. 1

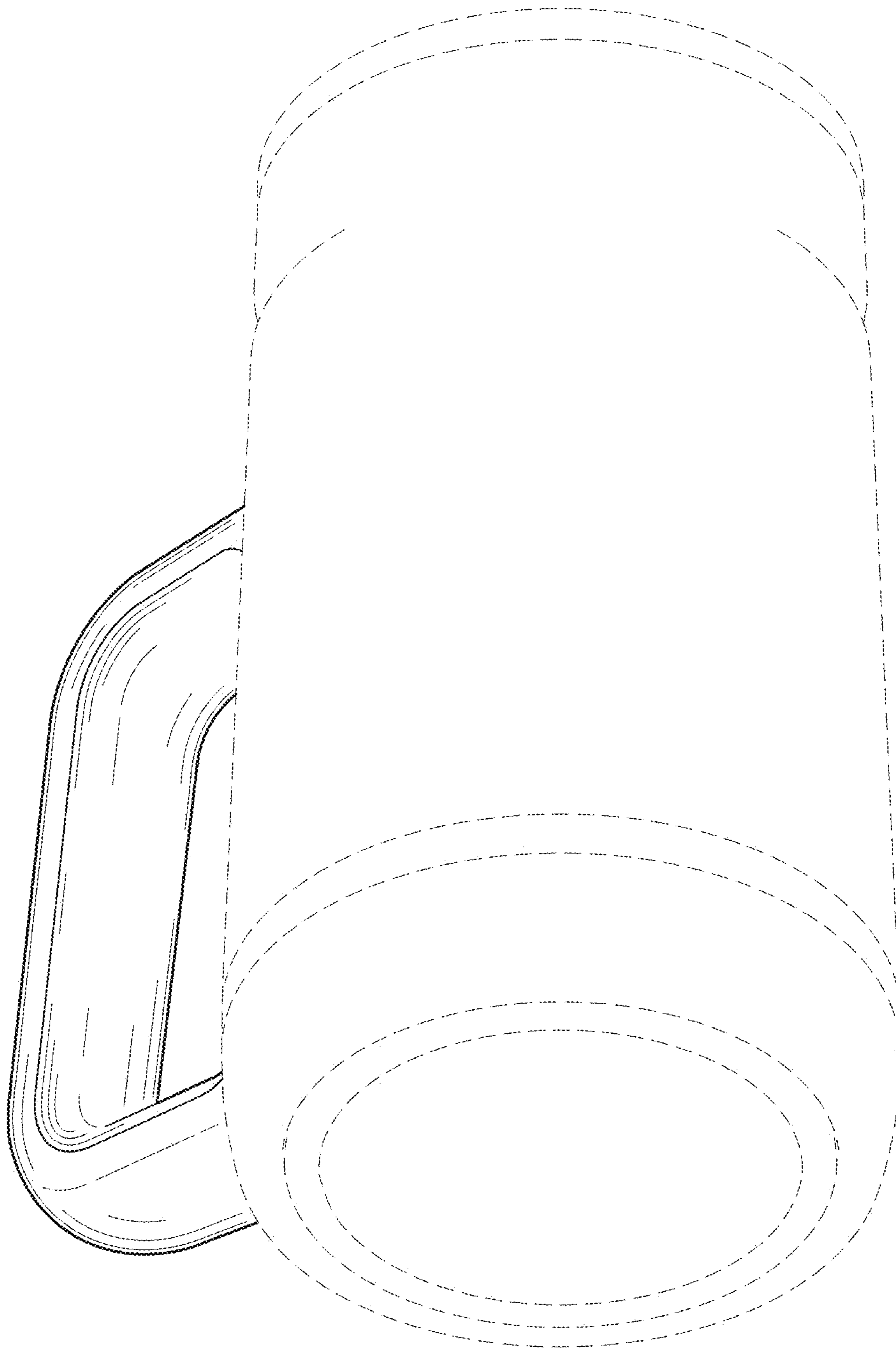


FIG. 2

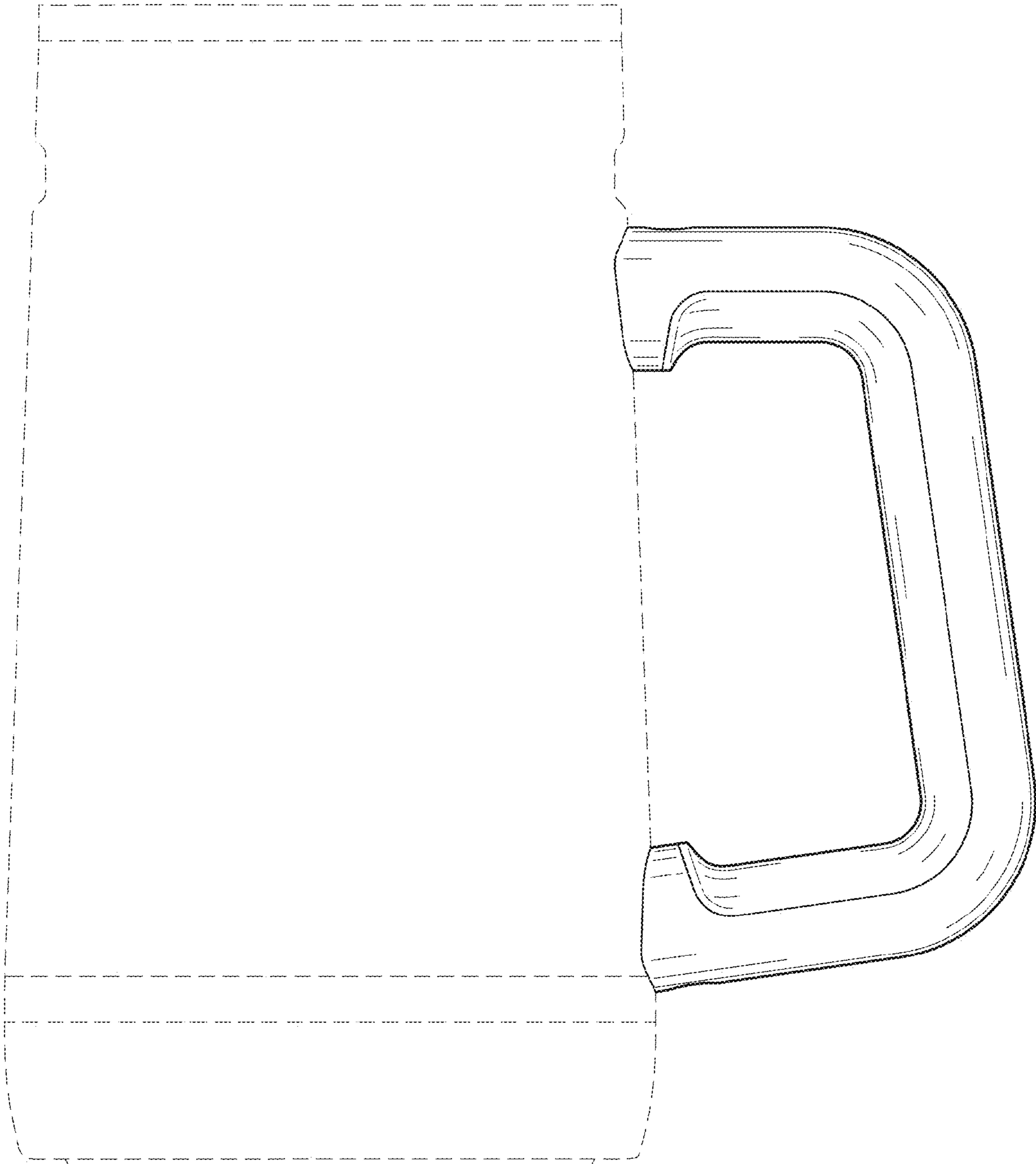


FIG. 3

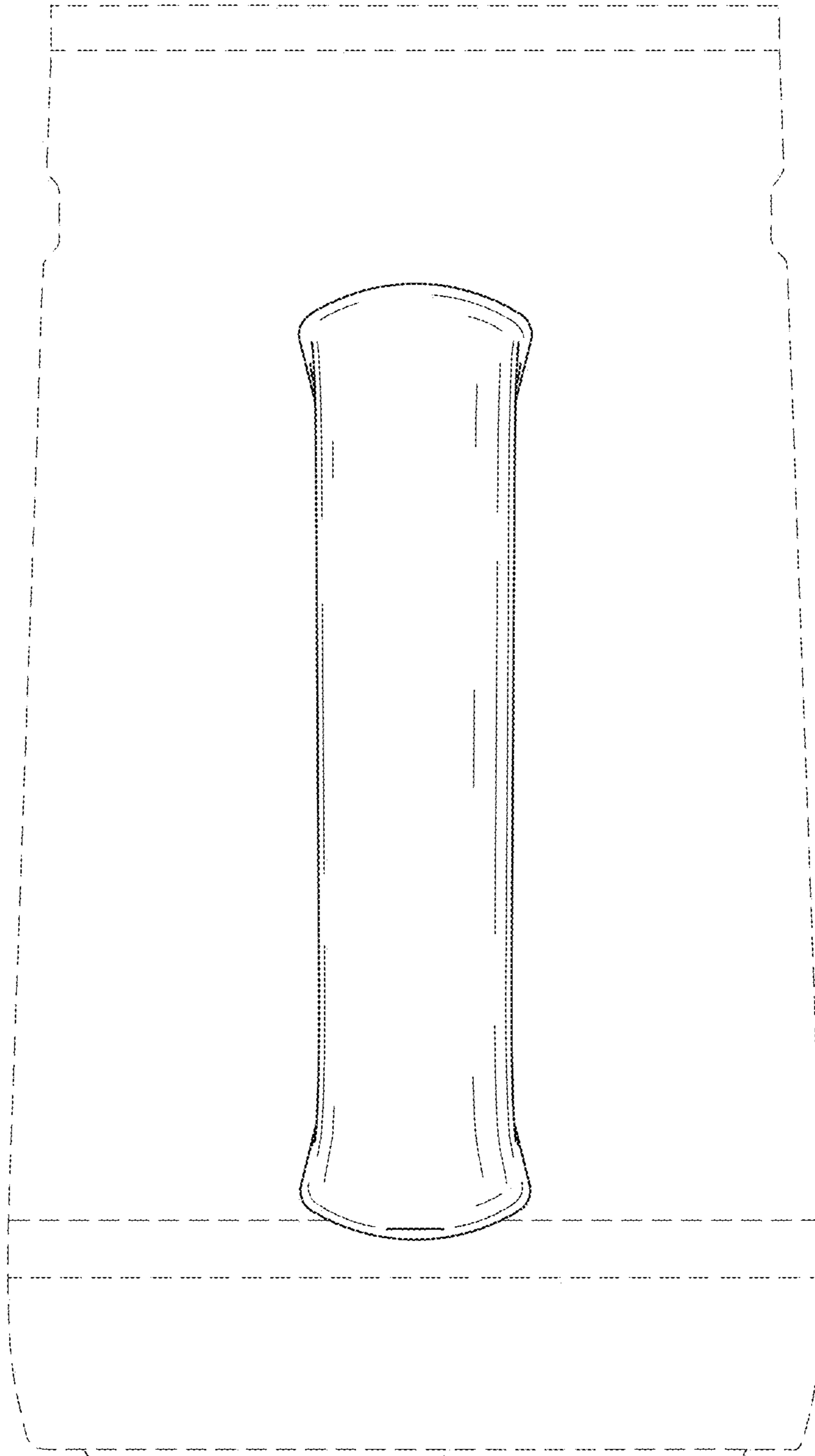


FIG. 4

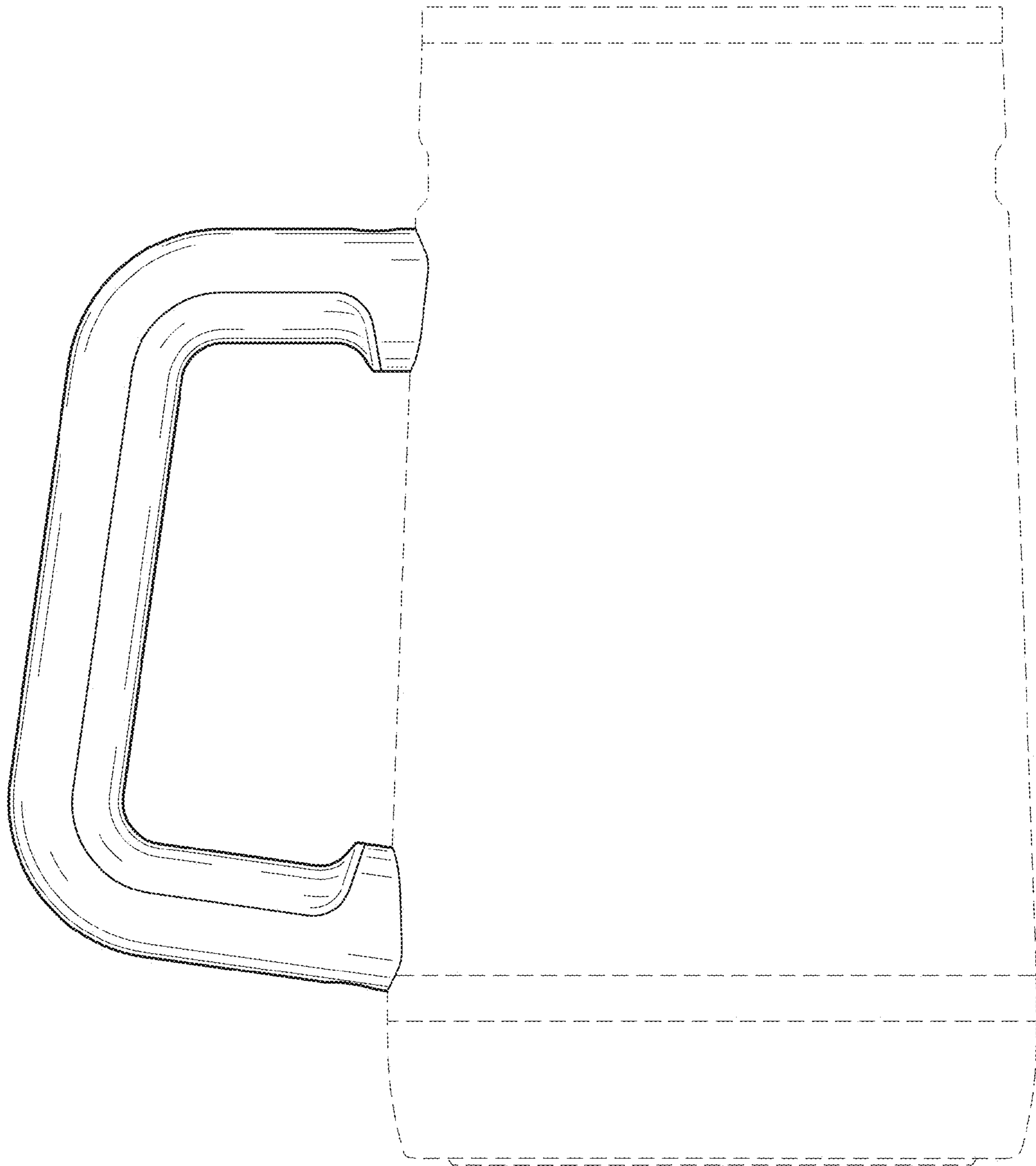


FIG. 5

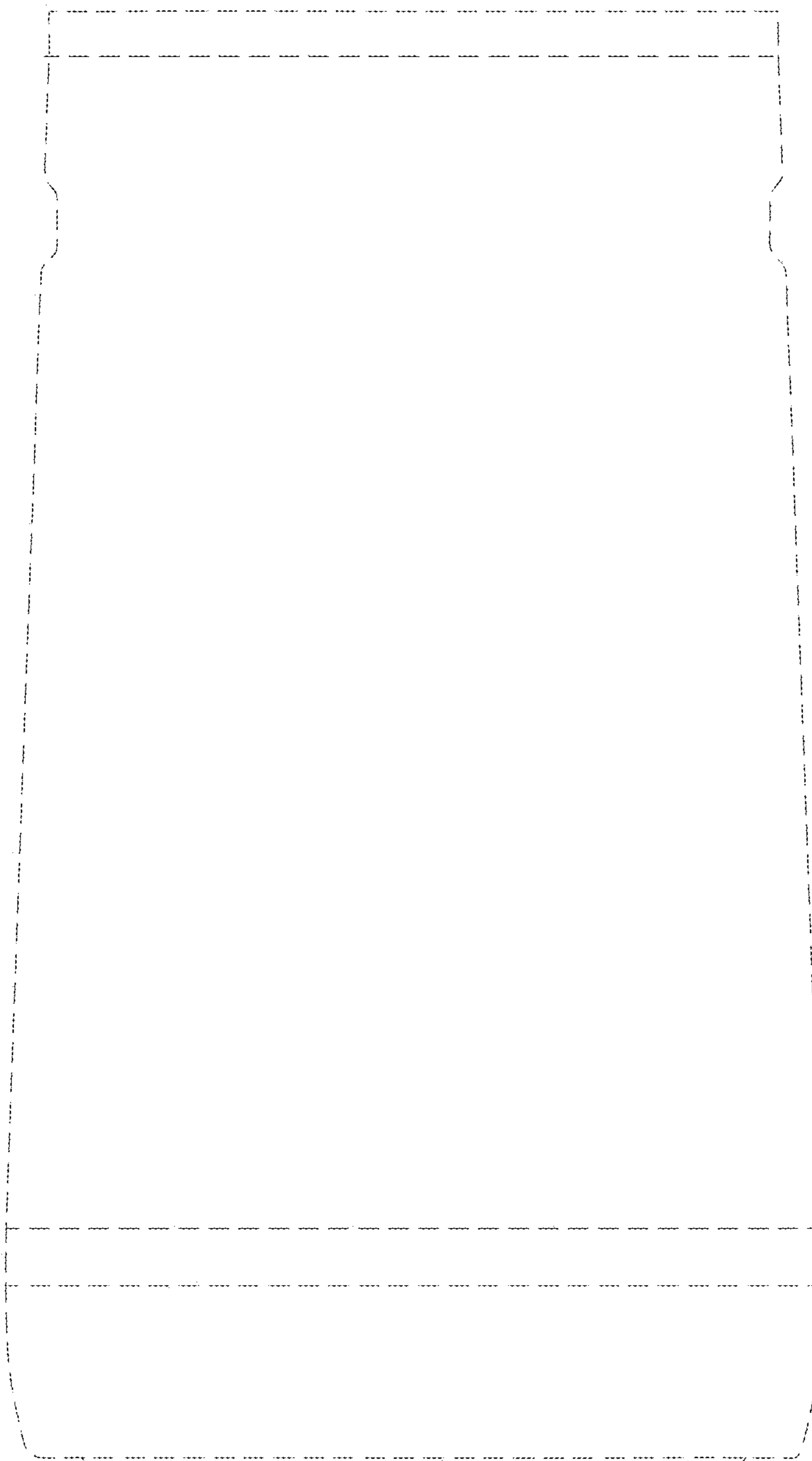


FIG. 6

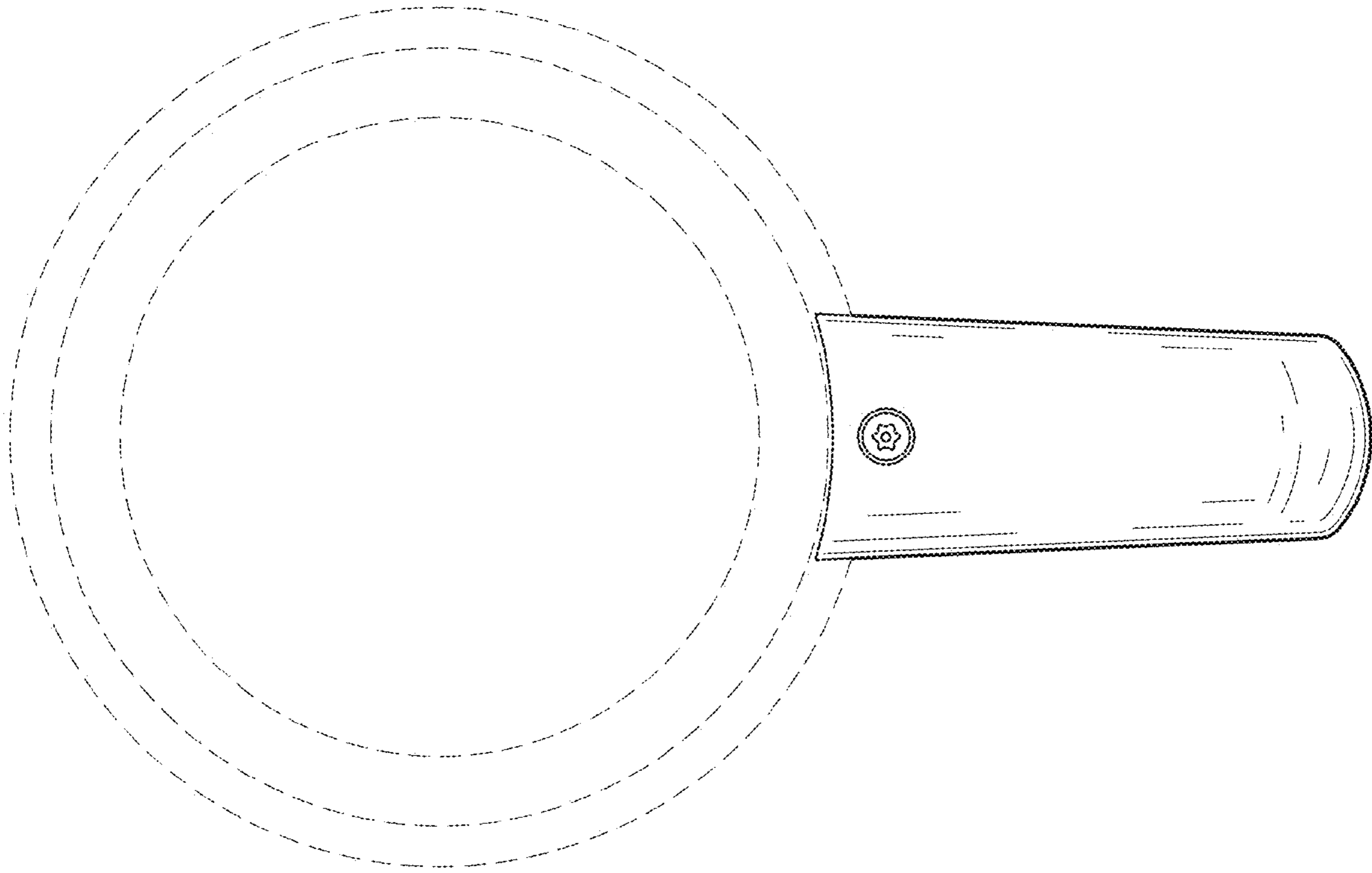


FIG. 7

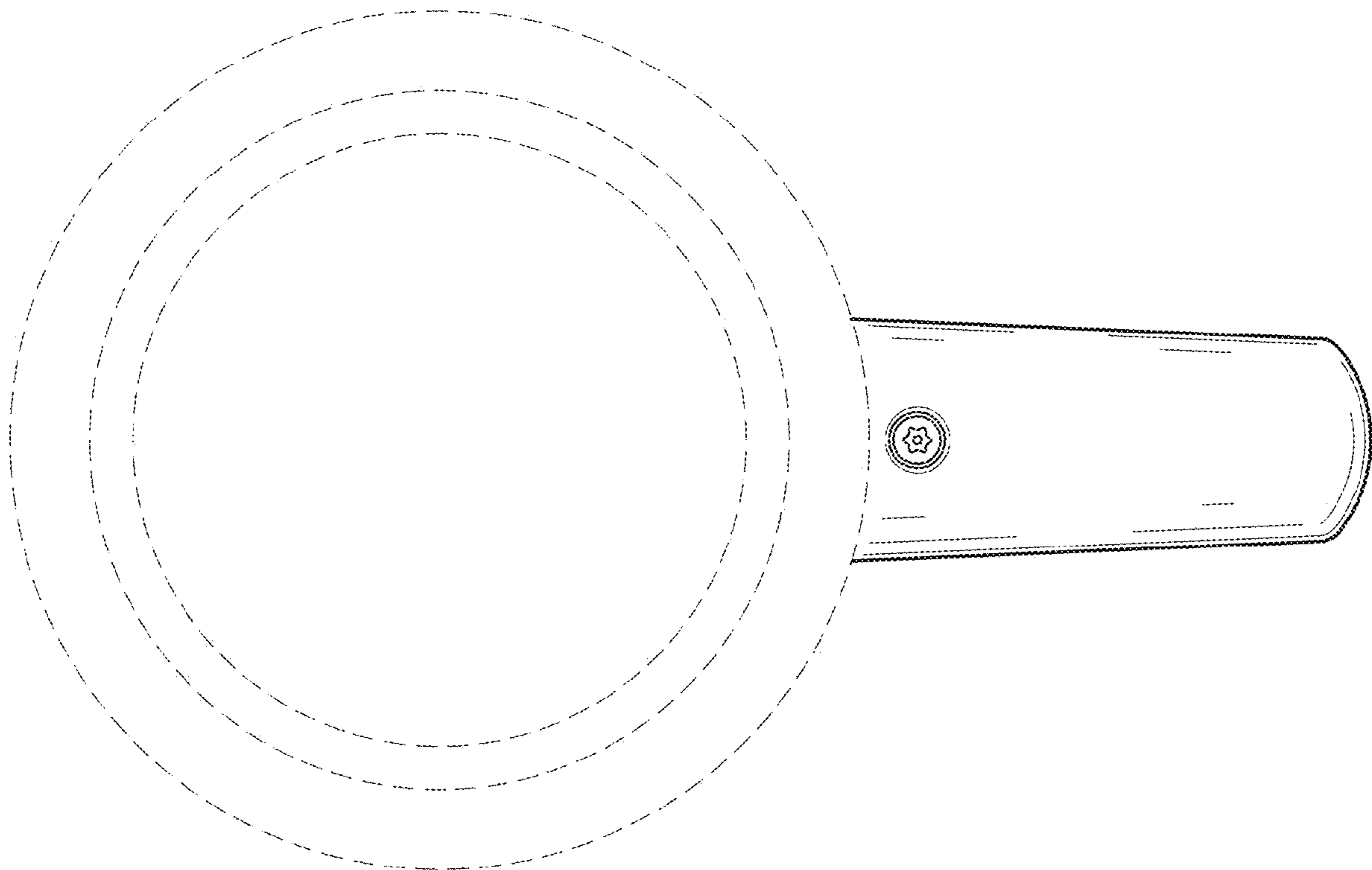


FIG. 8