



US00D907955S

(12) **United States Design Patent** (10) **Patent No.:** **US D907,955 S**
Massucco et al. (45) **Date of Patent:** **** Jan. 19, 2021**

(54) **BOTTLE CAP**
(71) Applicant: **HYDRAPAK LLC**, Oakland, CA (US)
(72) Inventors: **Michael Massucco**, Oakland, CA (US); **Matt Lyon**, Moraga, CA (US); **Samuel Lopez**, San Francisco, CA (US)
(73) Assignee: **HYDRAPAK LLC**, Oakland, CA (US)
(**) Term: **15 Years**
(21) Appl. No.: **29/706,182**
(22) Filed: **Sep. 18, 2019**
(51) **LOC (13) Cl.** **07-99**
(52) **U.S. Cl.**
USPC **D7/392.1**; D7/396.2; D9/447; D9/453
(58) **Field of Classification Search**
USPC D9/414, 424, 425, 428, 432, 434, 435, D9/436, 439, 440, 443-450, 452-457, D9/499, 503, 682, 685, 686; D7/387, D7/391, 392, 392.1, 396.2, 510, 511, 538, D7/900; D3/202, 203.2; D28/91, 91.1
CPC .. A61J 1/00; A61J 1/1412; B65D 1/00; B65D 1/02; B65D 1/10; B65D 1/46; B65D 5/46; B65D 41/00; B65D 41/38; B65D 41/56; B65D 41/62; B65D 47/00; B65D 47/06; B65D 47/08; B65D 2251/00; B65D 2543/00046; B65D 2543/00092; B65D 2543/00296
See application file for complete search history.

5,545,315 A * 8/1996 Lonneman C02F 1/003 D7/510
D373,928 S * 9/1996 Green D7/392.1
5,573,525 A * 11/1996 Watson A61J 1/2096 215/306
D391,448 S * 3/1998 Winer D7/510
D408,622 S * 4/1999 Fletcher D7/510
D482,620 S * 11/2003 Kleckauskas D9/530
D508,202 S * 8/2005 Dobson D9/447
D531,505 S 11/2006 Lohrman
D566,468 S 4/2008 Sandy
D591,152 S * 4/2009 Hatalla D9/447
7,753,234 B1 * 7/2010 Heiberger B65D 47/243 222/153.09
D628,483 S * 12/2010 McKinney D9/453
D637,490 S * 5/2011 McKinney D9/447
8,051,674 B2 11/2011 Roth et al.
D690,162 S 9/2013 Staton
D691,479 S * 10/2013 Bea D9/453
D708,946 S * 7/2014 Hutchison D9/447
(Continued)

OTHER PUBLICATIONS

U.S. Appl. No. 29/706,111, filed Sep. 18, 2019, Massucco et al.
(Continued)

Primary Examiner — Wendy L Arminio
(74) *Attorney, Agent, or Firm* — Sheridan Ross P.C.

(57) **CLAIM**

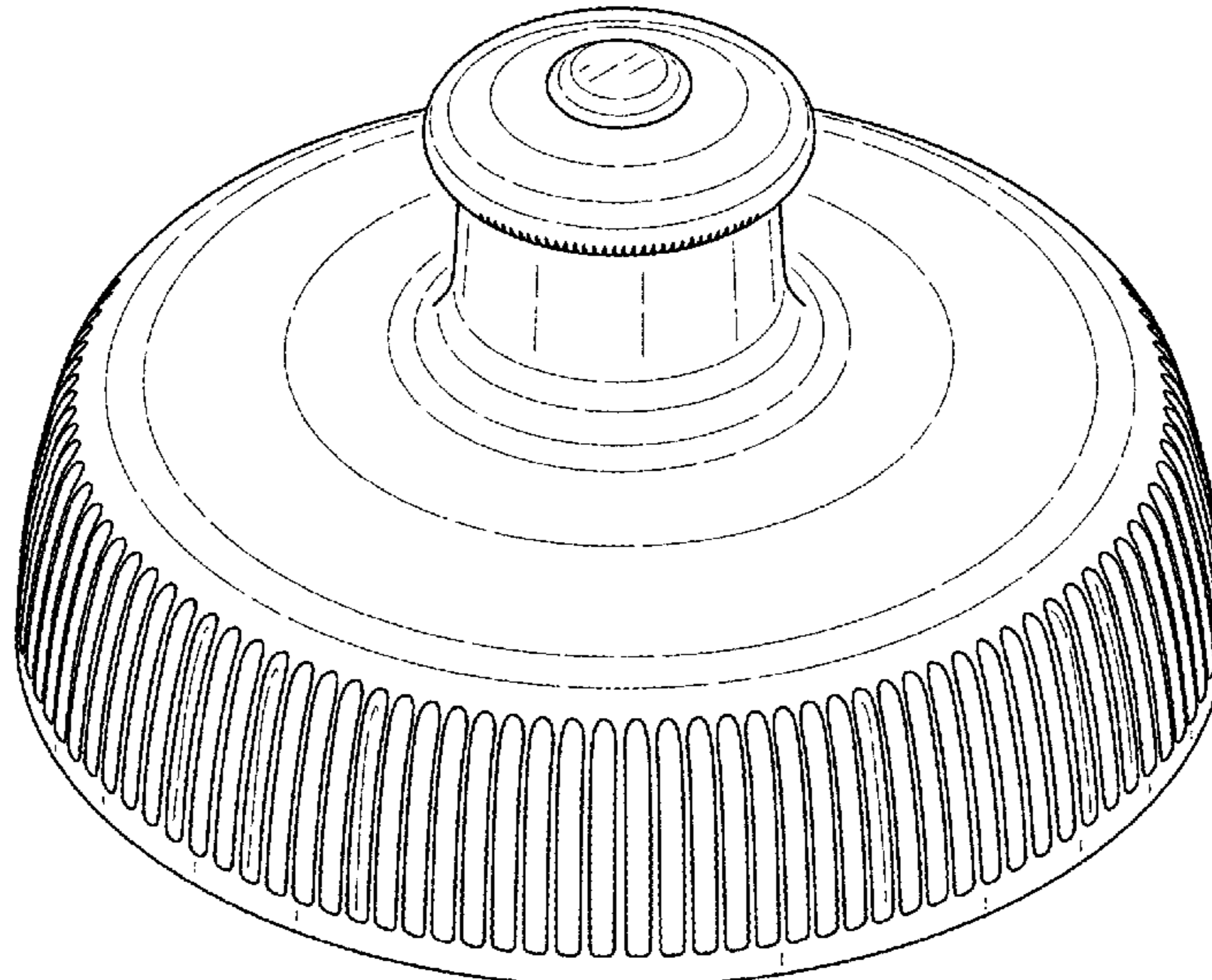
The ornamental design for a bottle cap, as shown and described.

DESCRIPTION

FIG. 1 is a perspective view of a bottle cap;
FIG. 2 is a front view thereof;
FIG. 3 is a back view thereof;
FIG. 4 is a right side view thereof;
FIG. 5 is a left side view thereof; and,
FIG. 6 is a top plan view thereof.

1 Claim, 6 Drawing Sheets

(56) **References Cited**
U.S. PATENT DOCUMENTS
D202,227 S * 9/1965 Amburgey D9/449
D204,711 S 5/1966 Plummer
D337,274 S * 7/1993 Thatcher D7/510
D350,672 S 9/1994 Egger et al.
5,465,876 A * 11/1995 Crisci B65D 47/243 222/153.1



(56)

References Cited

U.S. PATENT DOCUMENTS

D714,154 S 9/2014 Keeler
 D736,562 S 8/2015 Green et al.
 D752,434 S 3/2016 Willows et al.
 D758,132 S 6/2016 Breit
 D760,027 S 6/2016 Meyers et al.
 D761,648 S * 7/2016 Karl, IV D9/447
 D762,473 S * 8/2016 Willows D9/447
 D768,490 S * 10/2016 Robinson D9/449
 D771,490 S 11/2016 Junkel
 D774,351 S 12/2016 Breit et al.
 D777,518 S 1/2017 Frazier et al.
 D784,084 S * 4/2017 Bartlett D7/511
 D789,150 S 6/2017 Heiberger
 D793,810 S 8/2017 Frazier
 D795,647 S 8/2017 Heiberger et al.
 D802,360 S * 11/2017 Rummel D7/392.1
 D808,219 S 1/2018 Heiberger et al.
 D808,721 S * 1/2018 Soni D7/510
 D834,368 S * 11/2018 Oas D7/392.1
 10,414,549 B2 * 9/2019 Hirst A47G 19/2266
 D864,658 S * 10/2019 McCready D7/392
 D877,884 S * 3/2020 Davis D9/434
 2003/0088232 A1 * 5/2003 Duell A61J 1/1487
 604/411
 2005/0023237 A1 2/2005 Inestroza
 2005/0092785 A1 * 5/2005 Hearld B65D 47/243
 222/525
 2006/0157490 A1 7/2006 Lipson
 2009/0236341 A1 * 9/2009 McKinney A47G 19/2266
 220/375

2010/0288758 A1 11/2010 Blain
 2012/0193316 A1 8/2012 Starks
 2014/0144870 A1 * 5/2014 Brosius B65D 47/247
 215/387
 2016/0159635 A1 * 6/2016 Davis B67D 3/0041
 141/366
 2016/0200486 A1 * 7/2016 Meyers B65D 47/283
 215/229
 2016/0316896 A1 11/2016 Breit et al.
 2017/0166346 A1 * 6/2017 Cornell A45C 15/00
 2018/0086517 A1 * 3/2018 Heiberger B65D 41/023
 2019/0119014 A1 * 4/2019 Heiberger B65D 23/104

OTHER PUBLICATIONS

U.S. Appl. No. 29/706,166, filed Sep. 18, 2019, Massucco et al.
 U.S. Appl. No. 29/706,173, filed Sep. 18, 2019, Massucco et al.
 “Polar bottle—Insulated Sport Bottle” Brochure, Product Architects, Inc., 2011, 1 page.
 “Polar Bottle—Spring 2012” Brochure, Product Architects, Inc., 2012, 5 pages.
 Notice of Allowance (with English translation) for Chinese Patent Application No. 201730159894.3, dated Aug. 7, 2017, 5 pages.
 Notice of Allowance for U.S. Appl. No. 29/583,577, dated Sep. 26, 2017, 9 pages.
 U.S. Appl. No. 29/583,577, filed Nov. 7, 2016, now issued as U.S. Pat. No. D. 808,219.
 U.S. Appl. No. 29/706,111, filed Sep. 18, 2019.
 U.S. Appl. No. 29/706,166, filed Sep. 18, 2019.
 U.S. Appl. No. 29/706,173, filed Sep. 18, 2019.

* cited by examiner

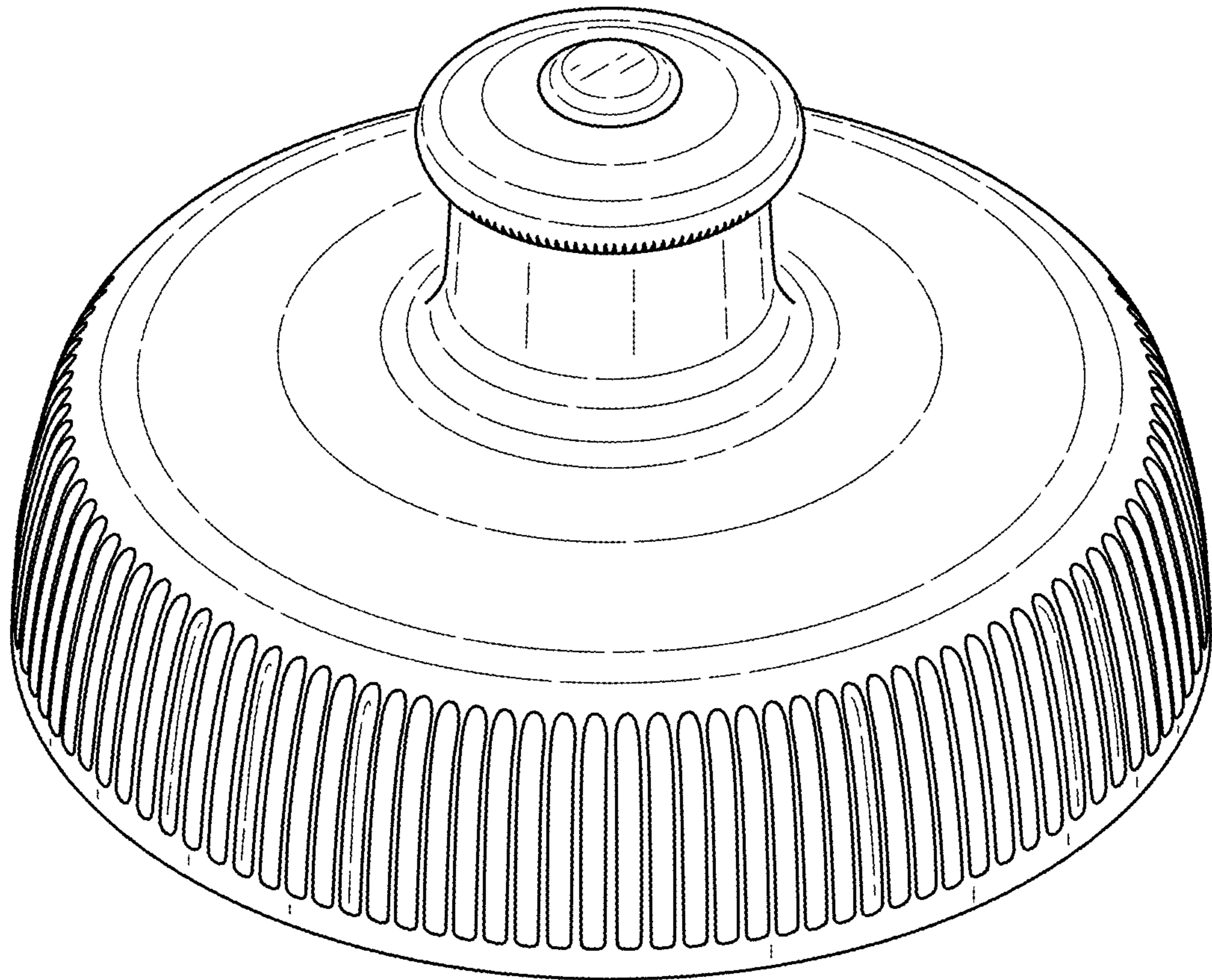


FIG. 1

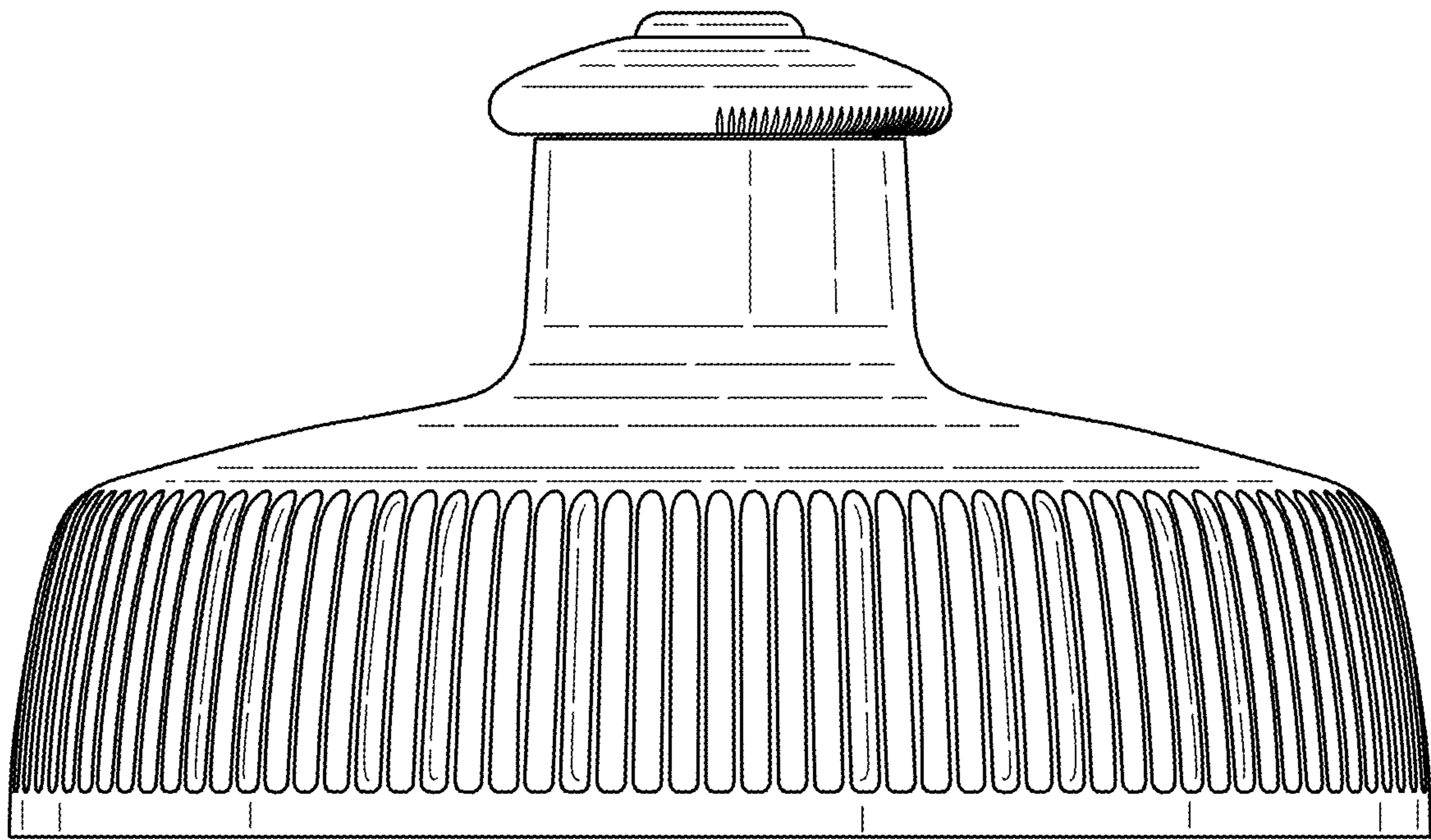


FIG.2

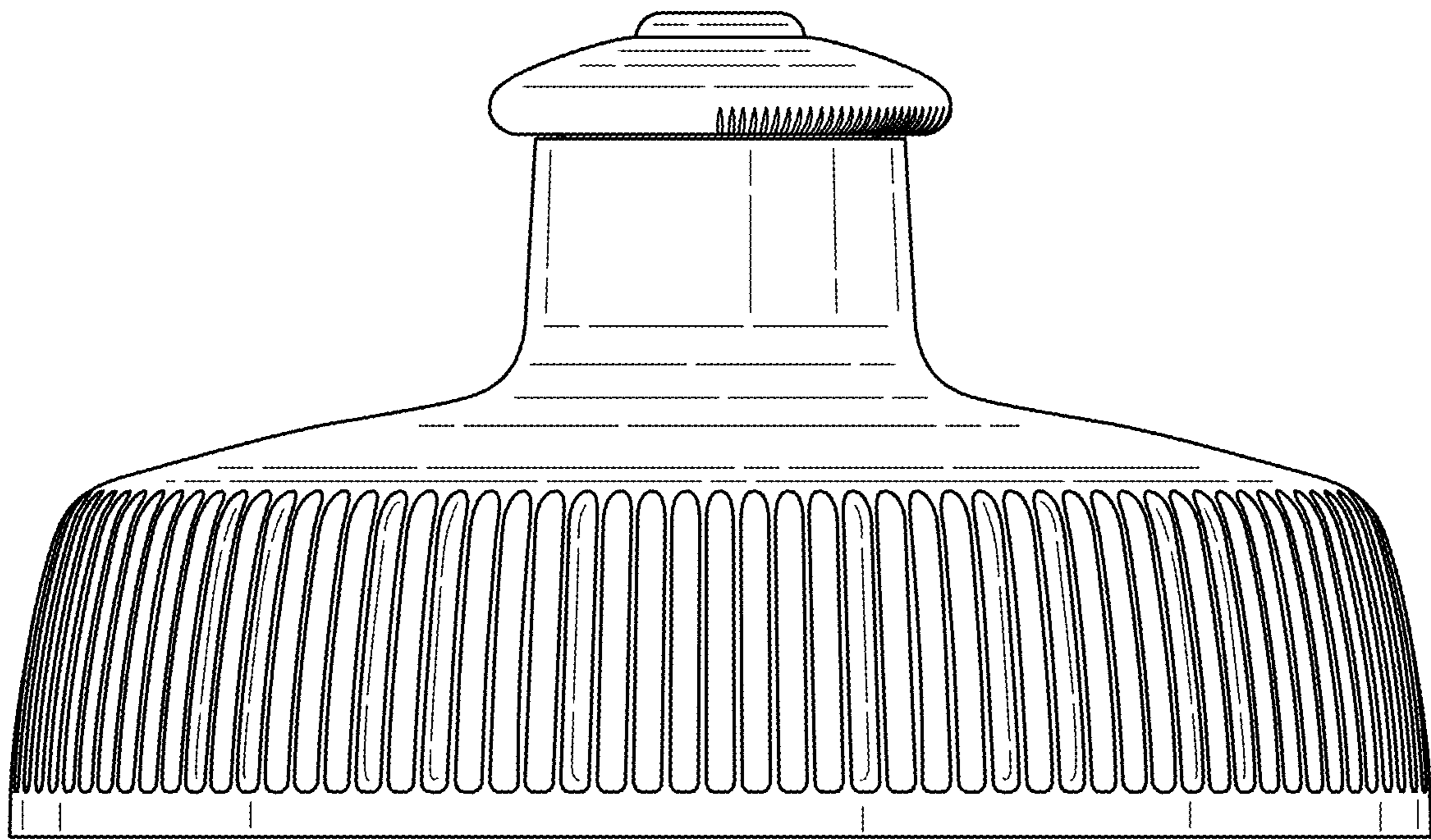


FIG.3

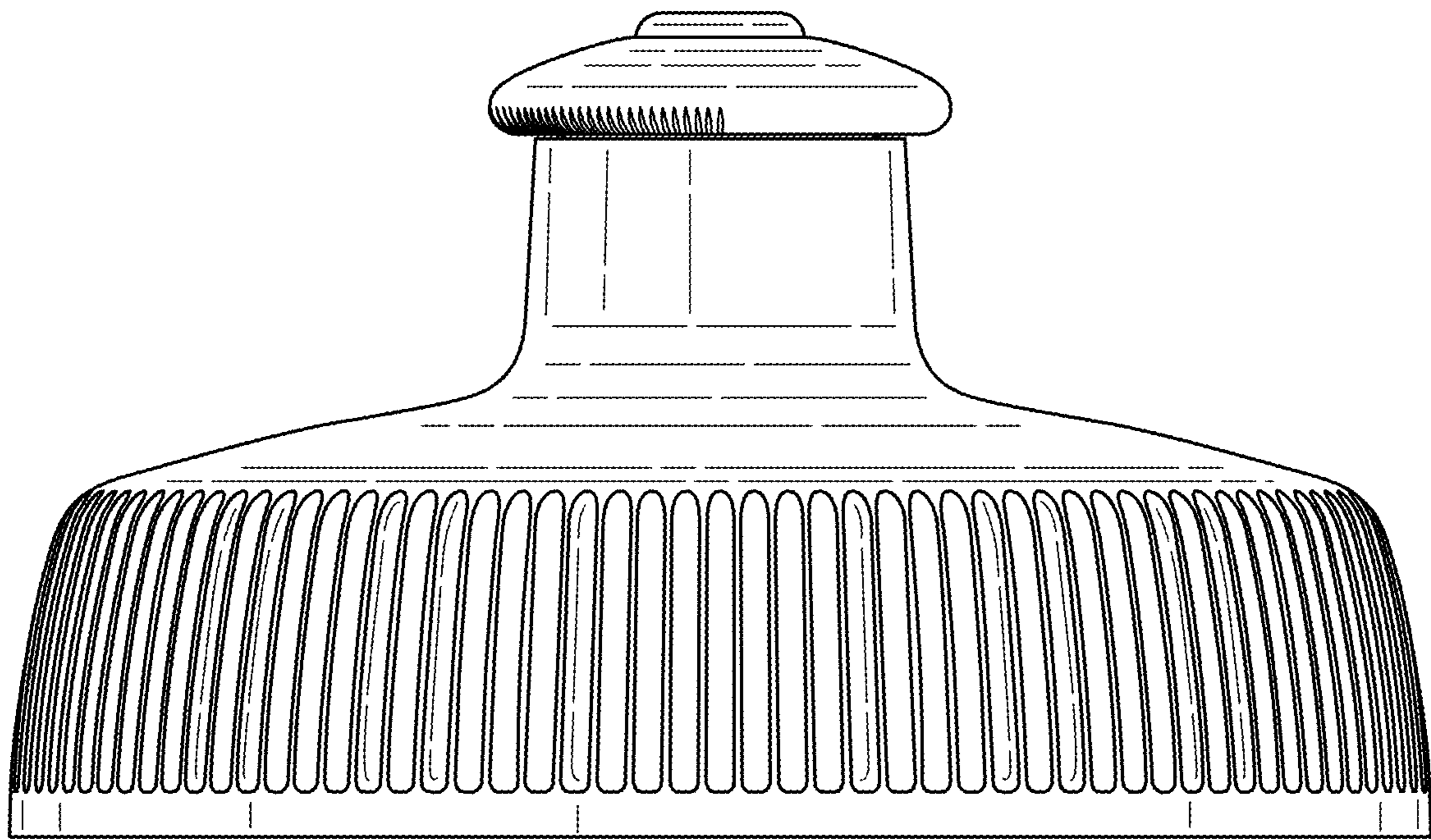


FIG.4

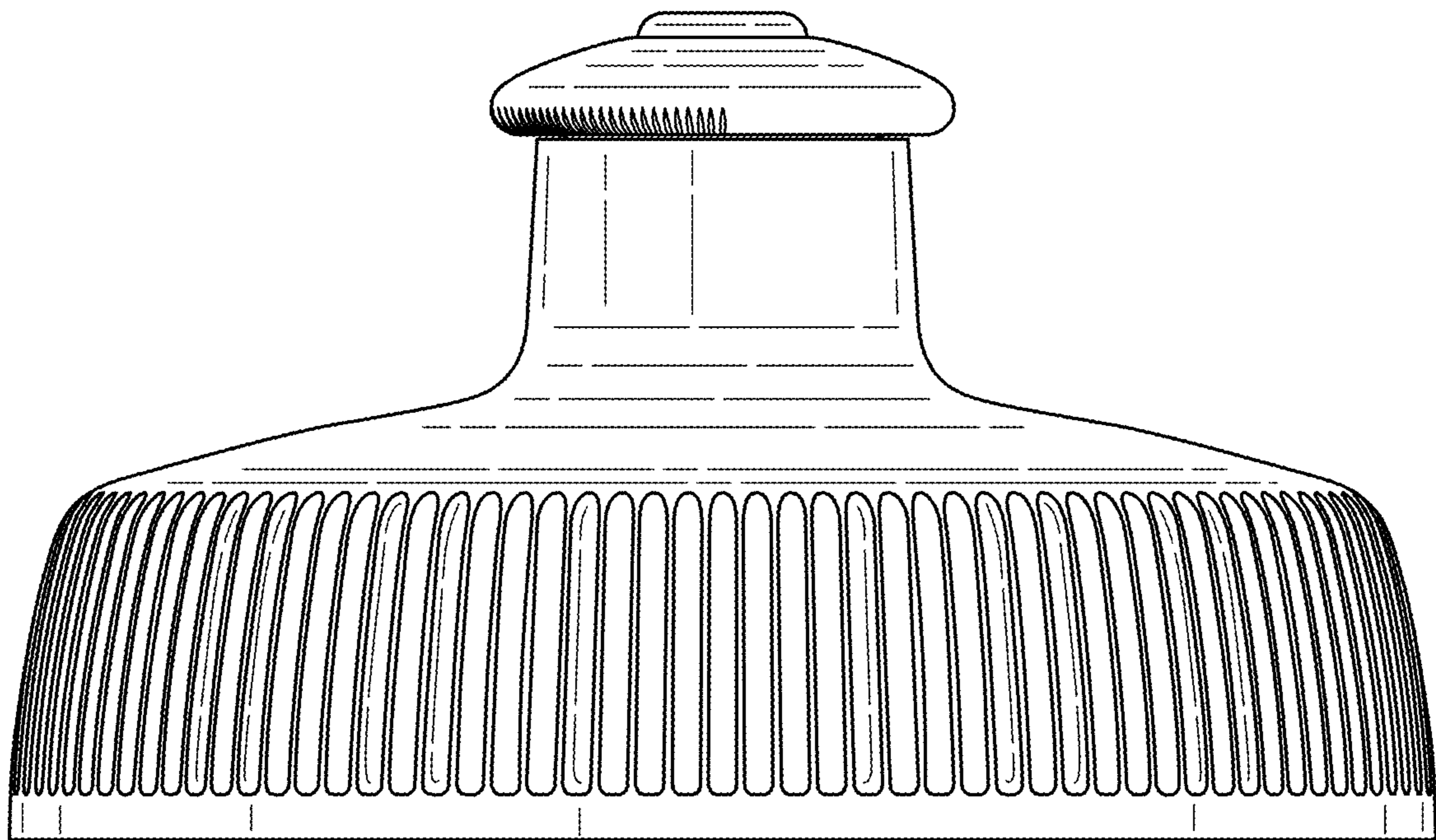


FIG.5

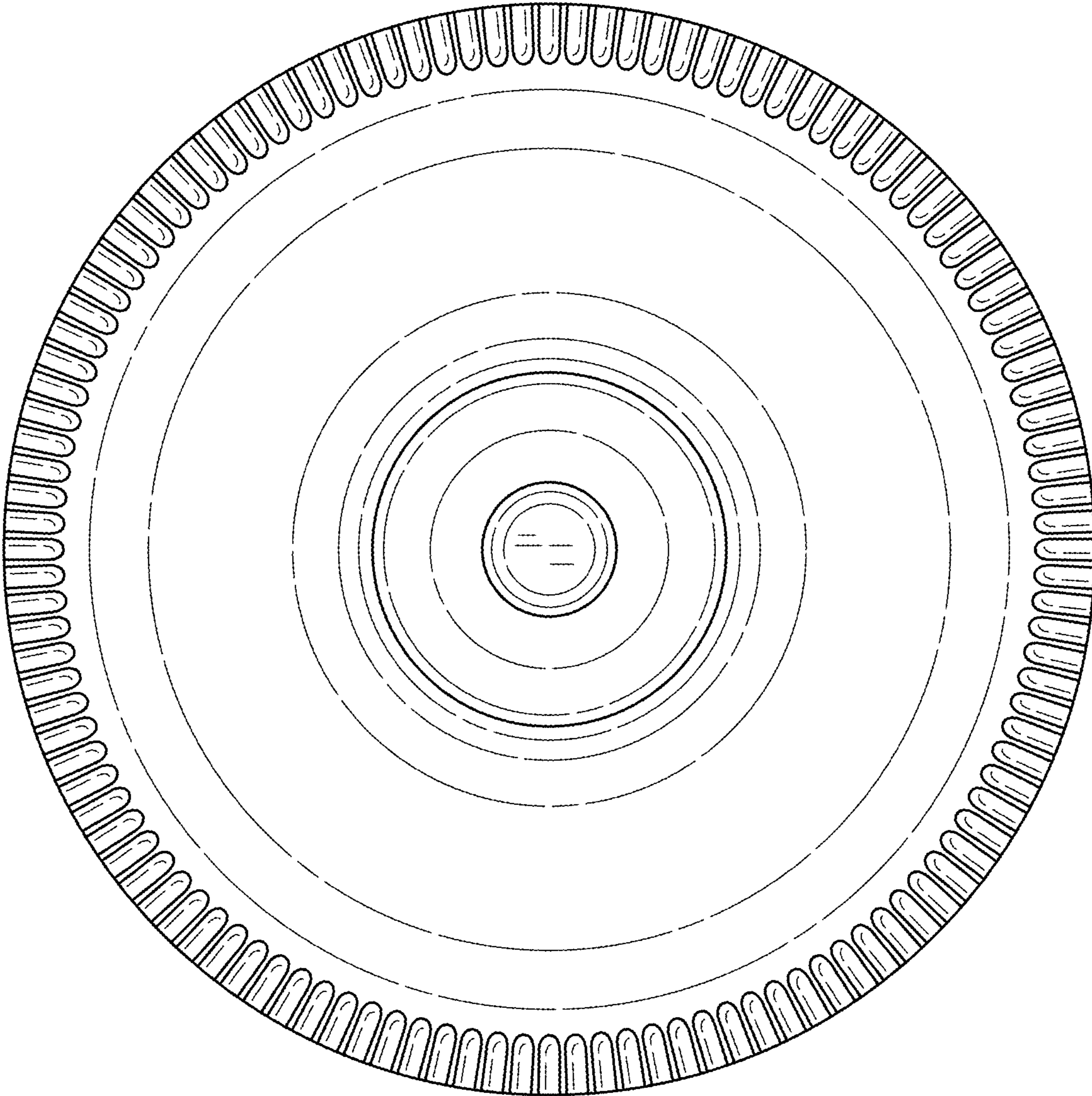


FIG.6