



US00D907949S

(12) **United States Design Patent**
Carbone et al.

(10) **Patent No.:** **US D907,949 S**
(45) **Date of Patent:** **** Jan. 19, 2021**

- (54) **COOKING APPLIANCE**
- (71) Applicant: **Revolution Cooking, LLC**, Potomac, MD (US)
- (72) Inventors: **Philip C. Carbone**, North Reading, MA (US); **Shannon Galvin**, Chevy Chase, MD (US); **Benjamin Hines**, Cranston, RI (US); **Steffen Koury**, Nahant, MA (US); **Paul K. Metaxatos**, Swampscott, MA (US); **Richard Simmers**, Boxford, MA (US)
- (73) Assignee: **Revolution Cooking, LLC**, Potomac, MD (US)
- (**) Term: **15 Years**
- (21) Appl. No.: **29/680,502**
- (22) Filed: **Feb. 15, 2019**
- (51) **LOC (13) Cl.** **07-02**
- (52) **U.S. Cl.**
USPC **D7/330**
- (58) **Field of Classification Search**
USPC D7/323, 328-330, 350.1, 350.4, 390
CPC ... A21B 2/00; A47J 37/00; A47J 37/06; A47J 37/0611; A47J 37/08; A47J 37/0807; A47J 37/0814; A47J 37/0835; A47J 37/0842; A47J 37/085; A47J 37/0864; A47J 37/0885; A47J 37/0892; F24C 15/10; F24C 15/102
See application file for complete search history.

- D461,089 S * 8/2002 Cheah D7/330
- D489,220 S * 5/2004 Brady D7/330
- D489,565 S * 5/2004 Averty D7/330
- D524,088 S * 7/2006 Boyle D7/330
- D528,348 S * 9/2006 Averty D7/330
- D661,940 S * 6/2012 Averty D7/330
- D721,532 S * 1/2015 Burrows D7/330
- D825,251 S * 8/2018 Schrepfer D7/350.1

* cited by examiner

Primary Examiner — Ricky Pham

(74) *Attorney, Agent, or Firm* — Wolf, Greenfield & Sacks, P.C.

(57) **CLAIM**

The ornamental design for the cooking appliance, as shown and described.

DESCRIPTION

FIG. 1 is an isometric view of the cooking appliance; FIG. 2 is another isometric view thereof; FIG. 3 is a left side view thereof; FIG. 4 is a right side view thereof; FIG. 5 is a front view thereof; FIG. 6 is a rear view thereof; FIG. 7 is a top view thereof; and, FIG. 8 is a bottom view thereof.

The cooking appliance can alternatively be referred to as an appliance, a heating appliance, or a toaster. The cooking appliance can be operated to cook a food product such as bread. Cooking includes, but is not limited to, heating, drying, and/or toasting.

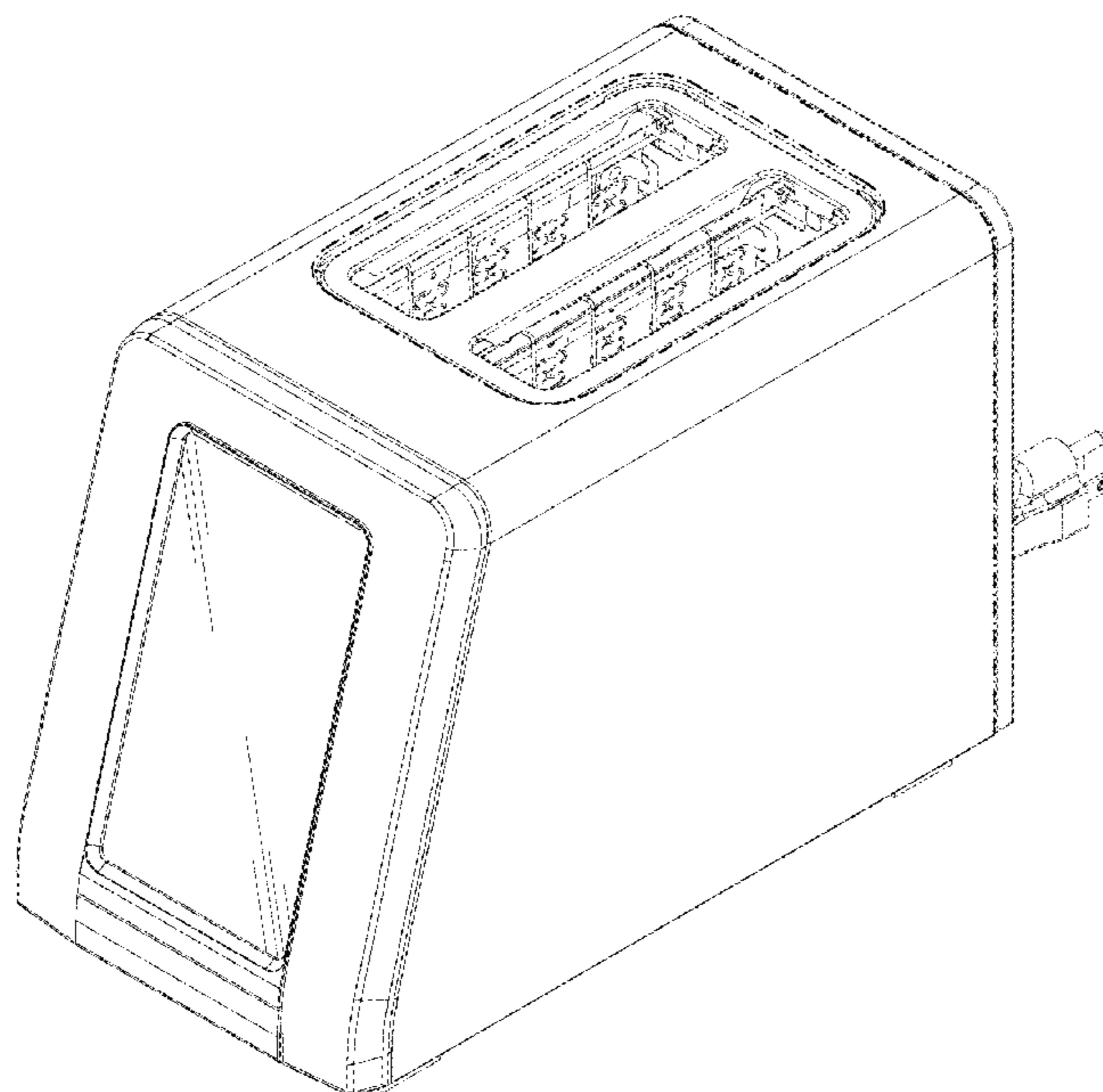
The dashed lines in the drawings represent portions of the cooking appliance that form no part of the claimed design. The dot dash lines in the drawings represent boundaries of the claimed design and form no part thereof. The surface shading represents a display screen.

(56) **References Cited**

U.S. PATENT DOCUMENTS

- D304,147 S * 10/1989 Takada D7/350.4
- D413,040 S * 8/1999 Lawrence D7/350.4

1 Claim, 7 Drawing Sheets



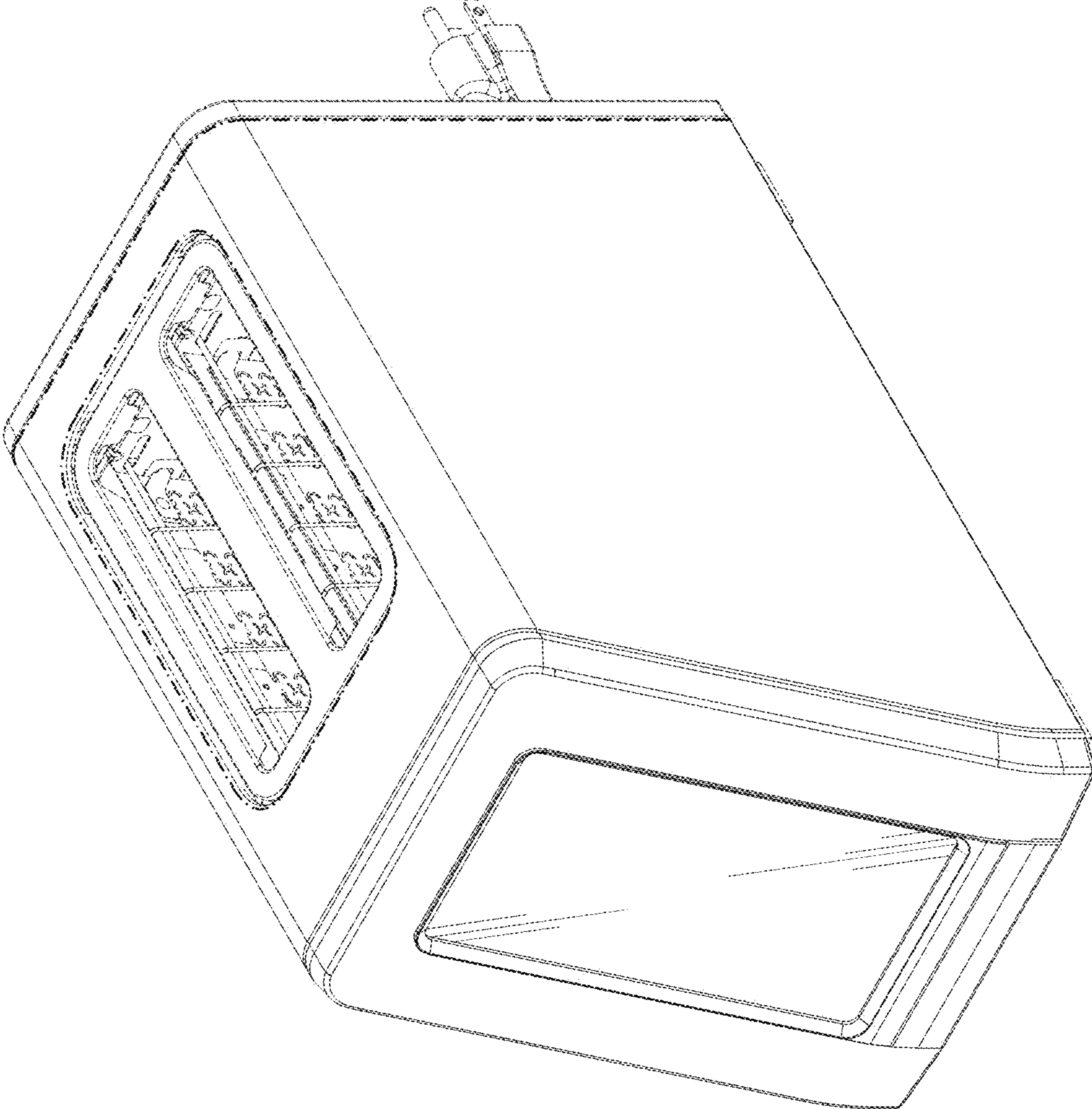


FIG. 1

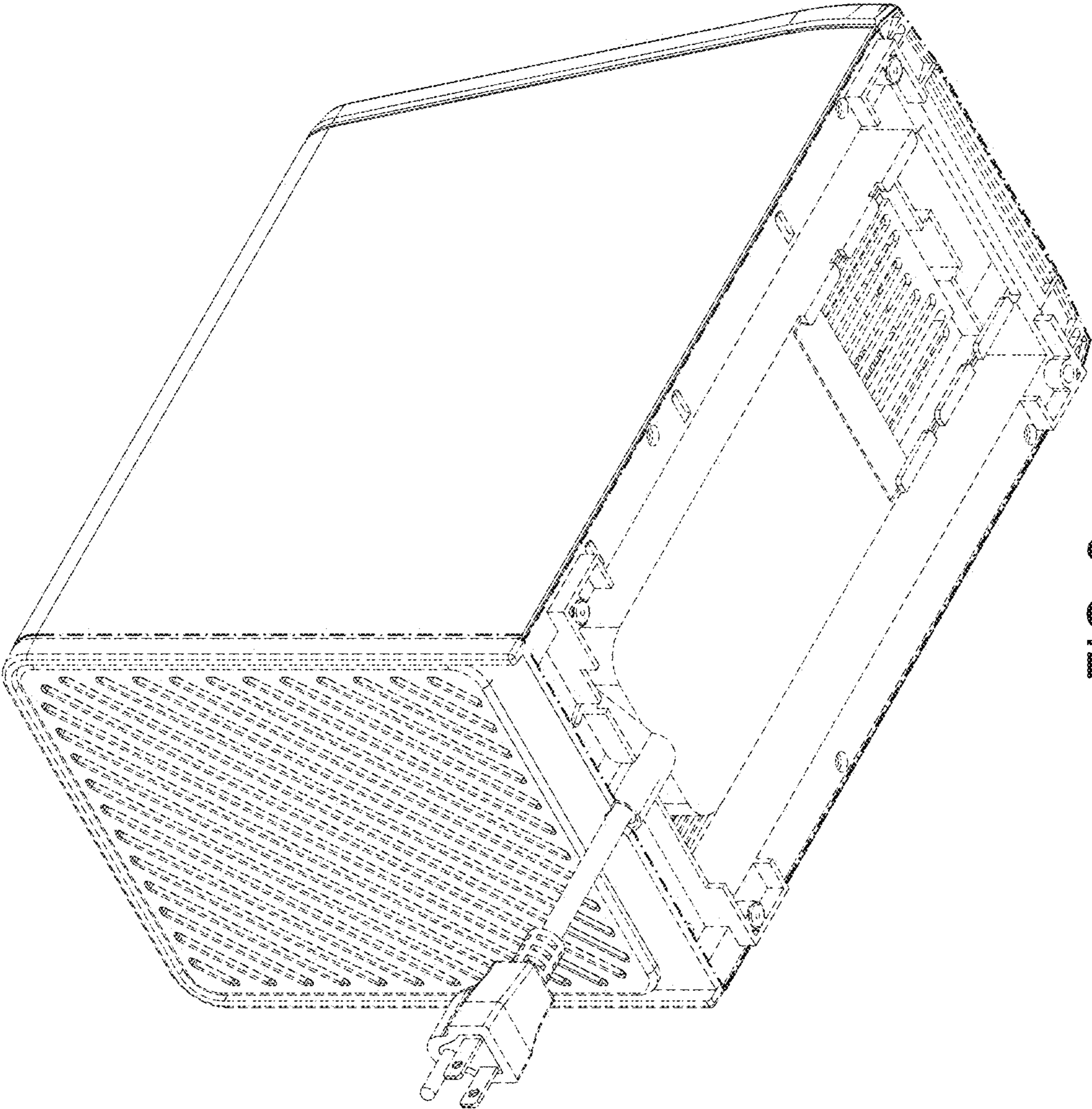


FIG. 2

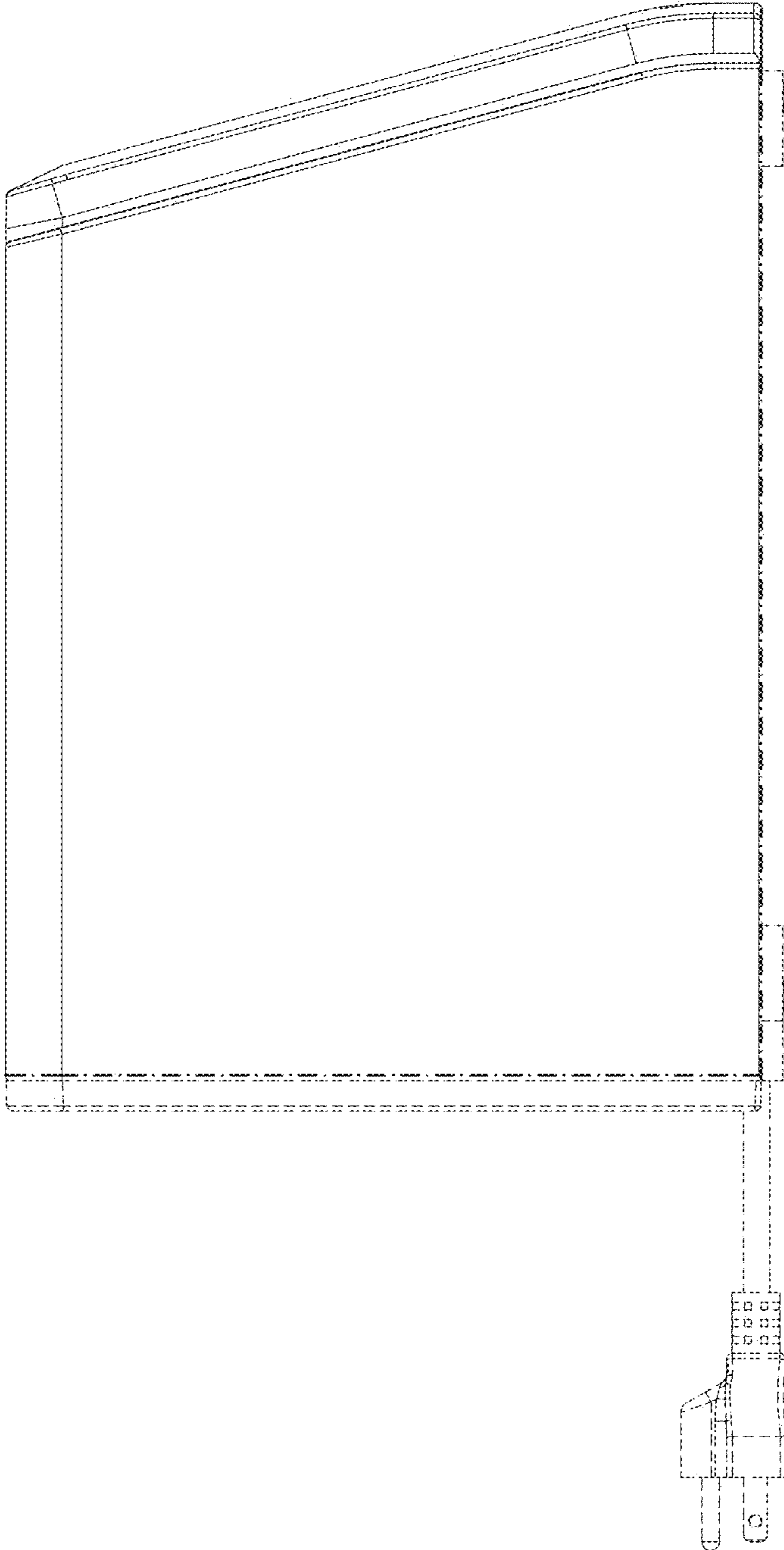


FIG. 3

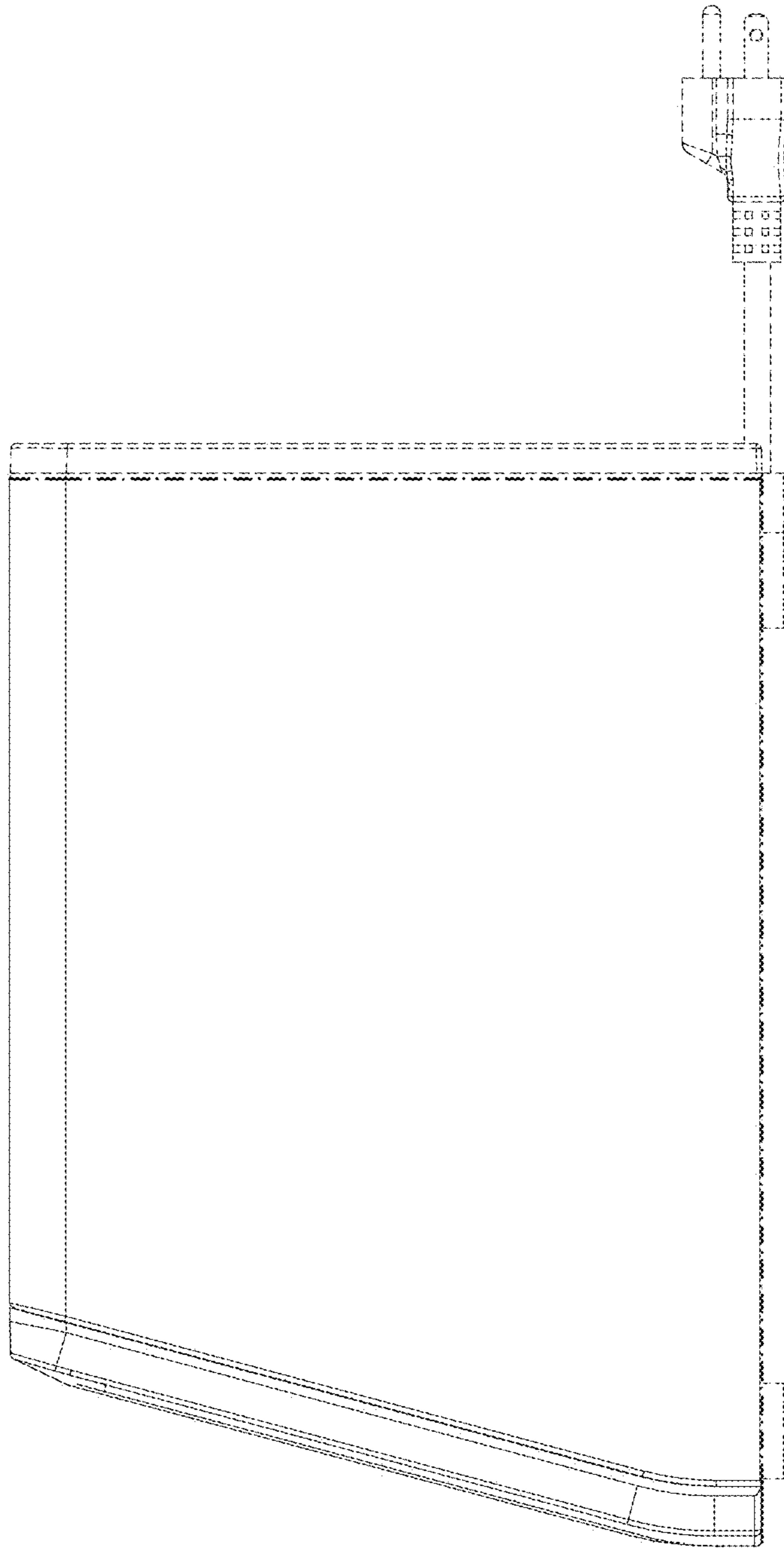


FIG. 4

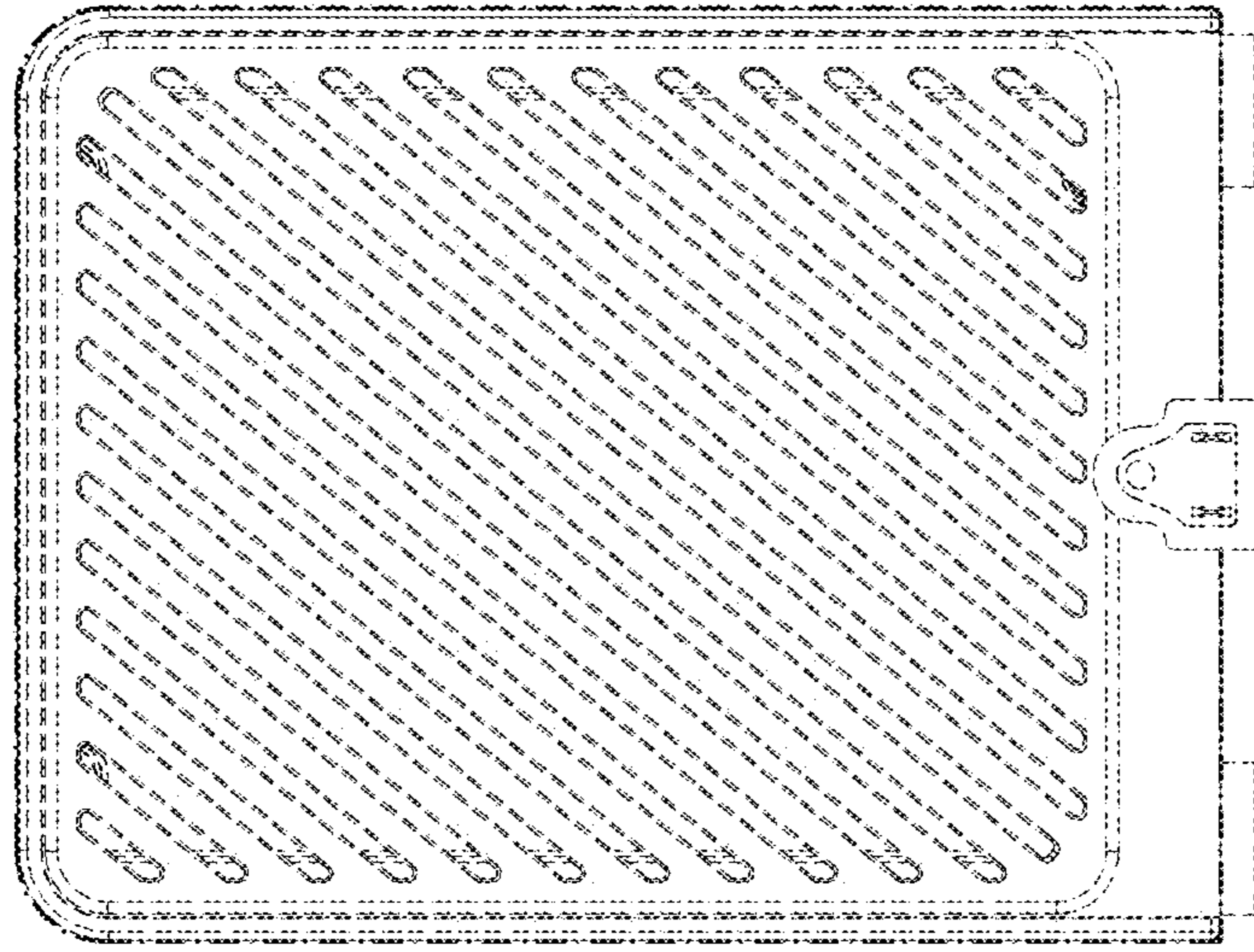


FIG. 6

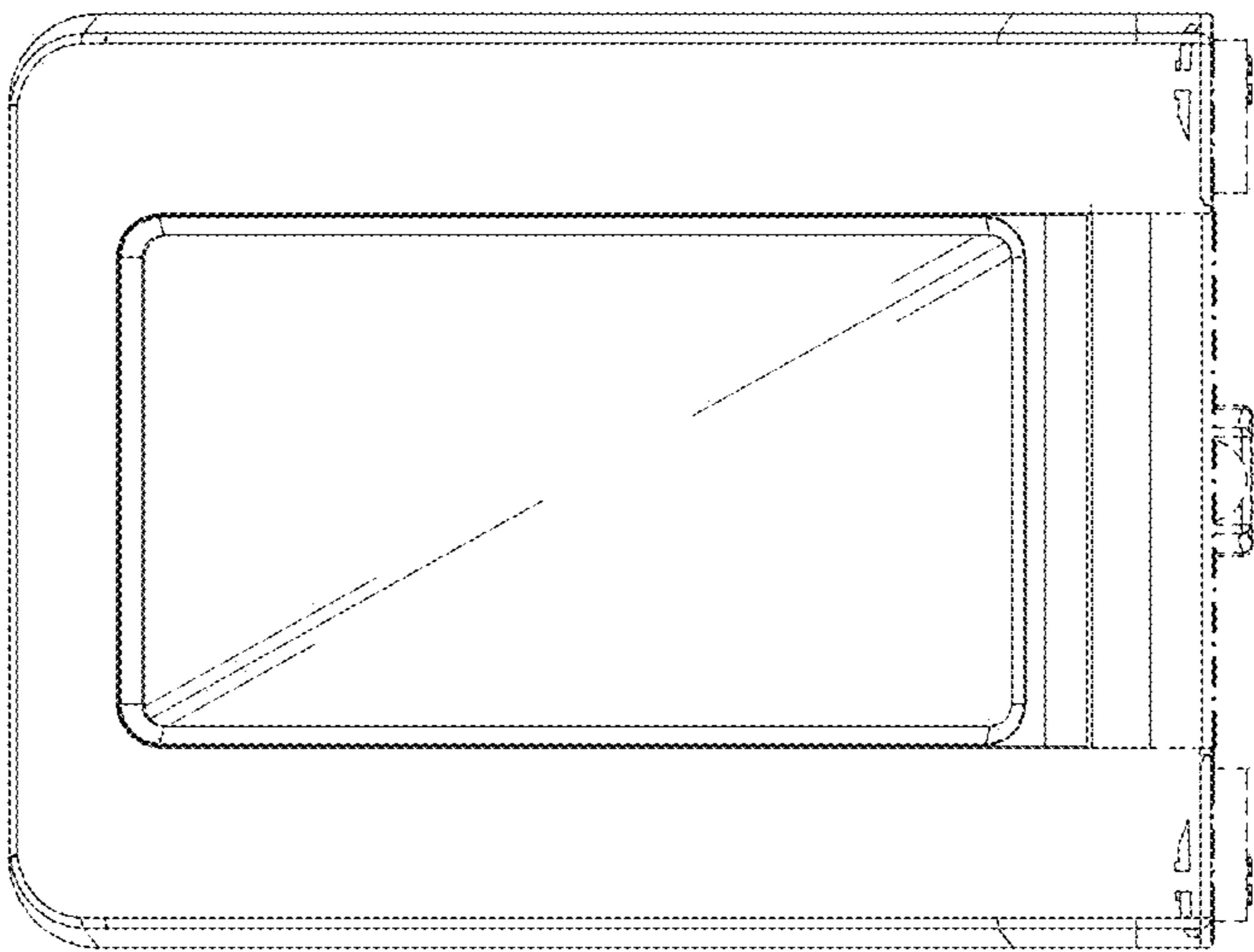


FIG. 5

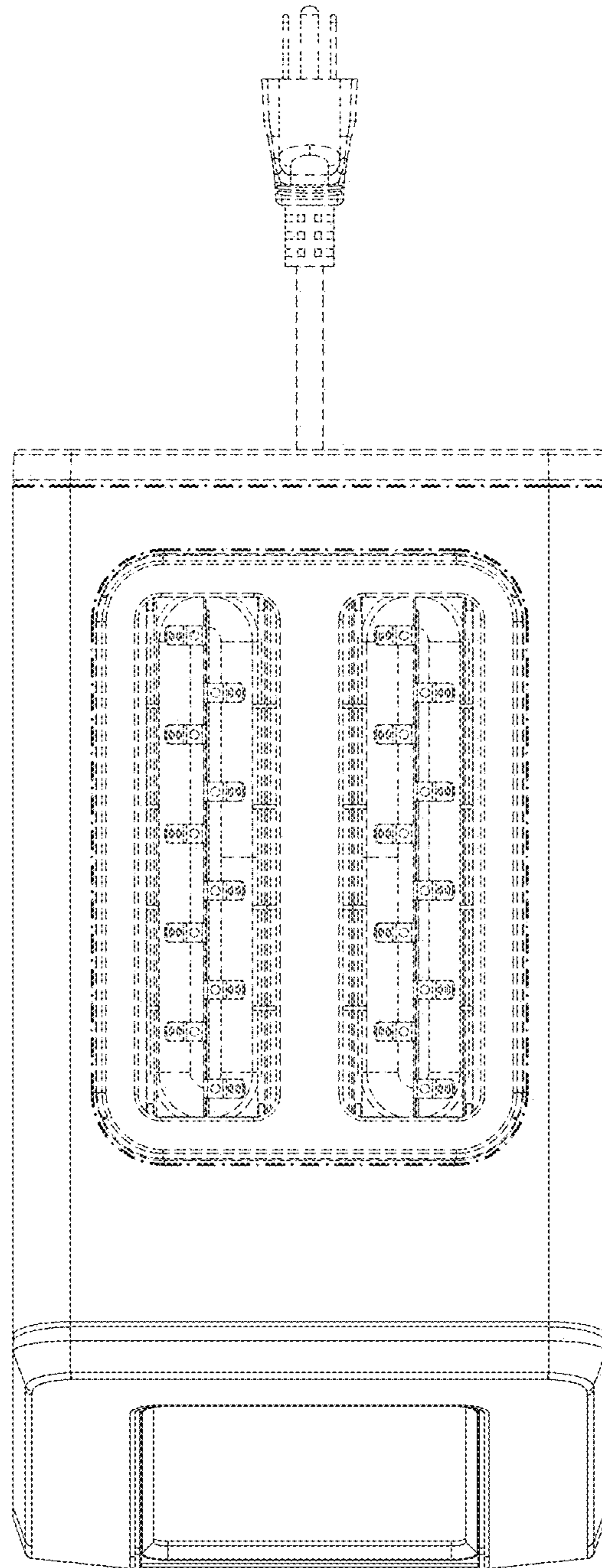


FIG. 7

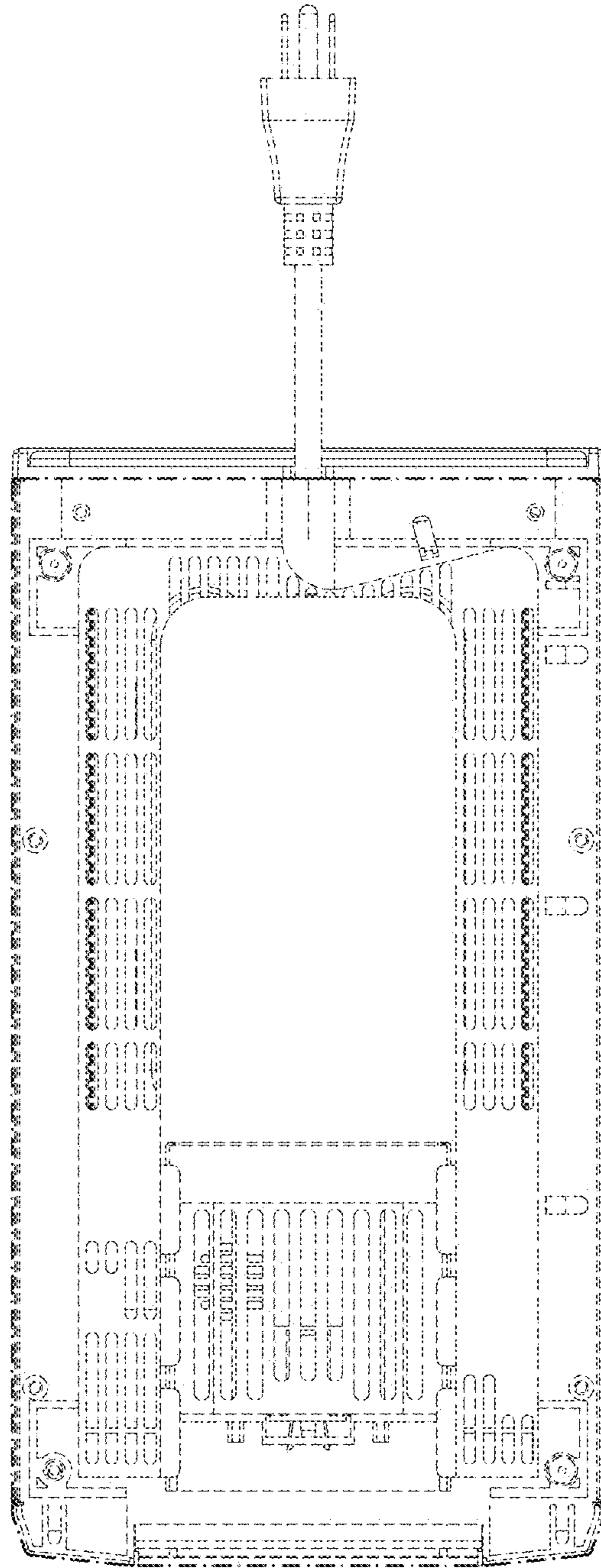


FIG. 8