



US00D907948S

(12) **United States Design Patent** (10) **Patent No.:** **US D907,948 S**  
**Deng et al.** (45) **Date of Patent:** **\*\* Jan. 19, 2021**

(54) **COFFEE MAKER AND COMPONENTS THEREOF**

4,590,975 A 5/1986 Credle  
D296,408 S 6/1988 Gaunt et al.  
D314,881 S \* 2/1991 Wondergem ..... D7/309  
(Continued)

(71) Applicant: **SharkNinja Operating LLC**,  
Needham, MA (US)

**FOREIGN PATENT DOCUMENTS**

(72) Inventors: **Da Deng**, Newton, MA (US); **Dan Kestenbaum**, Brookline, MA (US)

JP 817686 9/1991  
JP 1578234 5/2017  
(Continued)

(73) Assignee: **SHARKNINJA OPERATING LLC**,  
Needham, MA (US)

**OTHER PUBLICATIONS**

(\*\*) Term: **15 Years**

Amazon.com, Inc., "SharkNinja CF092 PowerDoF CM6626T 12-Cup Glass Carafe Programmable Coffee Maker, Small, Black/Stainless Steel," retrieved from Internet Jan. 24, 2020, (JPO Publicly Known Design No. HJ28047009), 8 pages.  
(Continued)

(21) Appl. No.: **29/649,476**

(22) Filed: **May 30, 2018**

(51) **LOC (13) Cl.** ..... **07-01**

(52) **U.S. Cl.**

USPC ..... **D7/309**; D7/311

(58) **Field of Classification Search**

USPC ..... D7/300, 306-308, 305, 397, 355, 362, D7/365, 367, 399, 309-311; 222/146.6, 222/185.1, 135; 99/295, 273, 304, 288, 99/279, 307, 283

CPC ..... A47J 31/02; A47J 31/407; A47J 31/50; A47J 31/18; A47J 31/061; A47J 27/04; A47J 31/0573; A47J 31/52; B67D 1/0036; B67D 1/0054

See application file for complete search history.

*Primary Examiner* — Marianne N Pandozzi

(74) *Attorney, Agent, or Firm* — Cantor Colburn LLP

(57) **CLAIM**

The ornamental design for coffee maker and components thereof, as shown and described.

**DESCRIPTION**

FIG. 1 is a perspective view of a coffee maker and components thereof, showing our new design; FIG. 2 is a front view of the embodiment shown in FIG. 1; FIG. 3 is a rear view of the embodiment shown in FIG. 1; FIG. 4 is side view of the embodiment shown in FIG. 1; FIG. 5 is another side view of the embodiment shown in FIG. 1; FIG. 6 is a top view of the embodiment shown in FIG. 1; FIG. 7 is a bottom view of the embodiment shown in FIG. 1; and, FIG. 8 is another perspective view of the embodiment shown in FIG. 1.

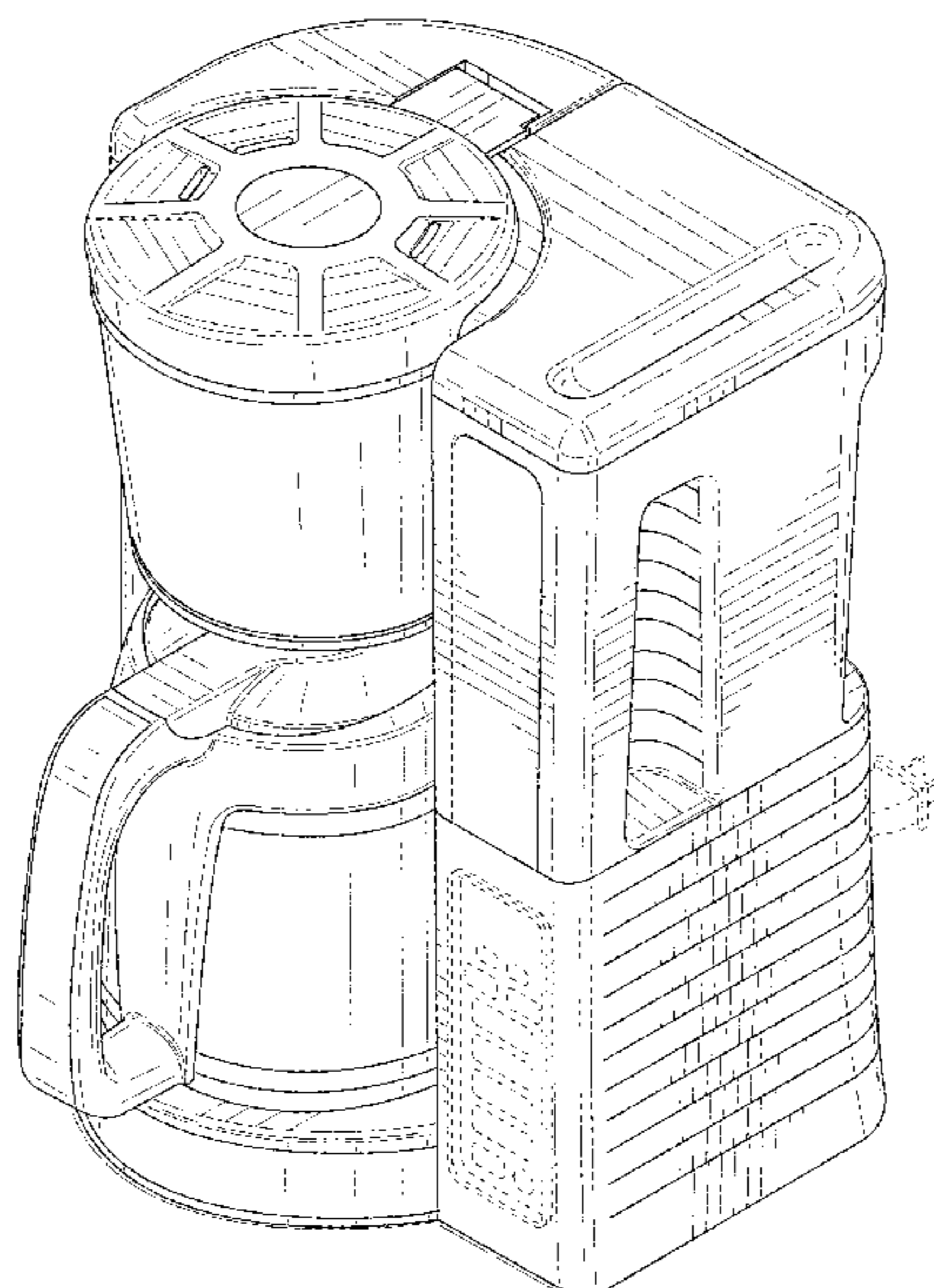
The broken lines in the figures are for environmental purposes only and form no part of the claimed design.

(56) **References Cited**

**U.S. PATENT DOCUMENTS**

D213,577 S 3/1969 Douglas  
D225,365 S 12/1972 Beckman  
D245,058 S 7/1977 Hauenstein  
4,058,338 A 11/1977 Brown  
D253,572 S \* 12/1979 Rinaldi ..... D7/309  
4,503,757 A 3/1985 Daugherty

**1 Claim, 8 Drawing Sheets**



(56)

References Cited

OTHER PUBLICATIONS

U.S. PATENT DOCUMENTS

D317,996 S 7/1991 Jack  
 D318,973 S 8/1991 Hasslacher  
 D321,806 S 11/1991 Chaney  
 D324,319 S 3/1992 Faerber et al.  
 D327,601 S \* 7/1992 Beeren ..... D7/309  
 D337,915 S 8/1993 Kahlcke  
 D348,585 S \* 7/1994 Sham ..... D7/309  
 D379,049 S \* 5/1997 Amiel ..... D7/305  
 D381,237 S \* 7/1997 De'Longhi ..... D7/309  
 D381,437 S 7/1997 Browning  
 D409,875 S \* 5/1999 Alonge ..... D7/309  
 5,931,082 A \* 8/1999 Kim ..... A47J 31/053  
 422/26  
 D452,106 S \* 12/2001 Seiffert ..... D7/305  
 D490,639 S 6/2004 Kling  
 D558,507 S 1/2008 Picozza et al.  
 D562,052 S 2/2008 De Pra'  
 D577,244 S 9/2008 Cahen  
 D581,717 S 12/2008 Parker et al.  
 D584,912 S 1/2009 Green et al.  
 D585,691 S 2/2009 Borin  
 D594,688 S \* 6/2009 Hammad ..... D7/306  
 D598,693 S 8/2009 Kindler et al.  
 D598,695 S 8/2009 Currie  
 D634,962 S \* 3/2011 Butler ..... D7/306  
 D634,963 S \* 3/2011 Romandy ..... D7/306  
 D648,973 S 11/2011 De' Longhi  
 8,210,095 B2 7/2012 Brezovnik et al.  
 D696,890 S 1/2014 Poniedzialek  
 D713,668 S 9/2014 Metaxatos et al.  
 D727,084 S 4/2015 Dorr et al.  
 D730,675 S 6/2015 Williams et al.  
 D733,481 S 7/2015 Rousselin  
 D742,159 S 11/2015 Doria et al.  
 D752,377 S 3/2016 Maitland et al.  
 D753,948 S 4/2016 Kestenbaum  
 D756,696 S 5/2016 Murphy et al.  
 D765,454 S 9/2016 Romandy  
 D769,662 S 10/2016 Palermo et al.  
 D770,831 S 11/2016 Affatato et al.  
 D770,832 S 11/2016 Affatato et al.  
 D771,992 S 11/2016 Yang  
 D778,098 S 2/2017 Horimoto  
 D782,242 S 3/2017 Lee  
 D787,251 S 5/2017 Kestenbaum  
 D789,725 S 6/2017 Kestenbaum  
 D792,731 S 7/2017 Palermo et al.  
 D801,506 S 10/2017 Sevy  
 D802,978 S 11/2017 Kestenbaum  
 D803,611 S 11/2017 Hanneson et al.  
 D814,222 S 4/2018 Bronwasser  
 D815,904 S 4/2018 Lane  
 D823,035 S 7/2018 Ricica  
 D823,036 S 7/2018 Kestenbaum  
 D823,628 S \* 7/2018 Steiner ..... D7/309  
 D833,792 S \* 11/2018 Garman ..... D7/309  
 D834,870 S 12/2018 Steiner  
 D853,770 S \* 7/2019 Koury ..... D7/306  
 D854,363 S \* 7/2019 Behrmann ..... D7/306  
 D878,846 S 3/2020 Kestenbaum  
 D879,535 S 3/2020 Ricica  
 2004/0112224 A1 6/2004 Drobeck  
 2009/0255408 A1 10/2009 Lassota et al.  
 2015/0190011 A1 7/2015 Minard  
 2019/0045968 A1 2/2019 Hartmann et al.  
 2019/0387920 A1 12/2019 Anthony et al.

FOREIGN PATENT DOCUMENTS

JP 1578238 5/2017  
 WO 2013098777 A1 7/2013  
 WO 2014028844 A1 2/2014  
 WO 2016164796 A1 10/2016  
 WO 2019067595 A1 4/2019

Hammacher Schlemmer, "The Four Specific Brew Barista Machine," 89861, retrieved from Internet Jan. 24, 2020, (JPO Publicly Known Design No. HJ28041235), 3 pages.  
 International Search Report for International Application No. PCT/US2019/038269; dated Nov. 25, 2019; International Filing Date: Jun. 20, 2019; 7 pages.  
 Invitation to Pay Additional Fees for International Application No. PCT/US2019/038269; International Filing Date: Jun. 20, 2019; dated Sep. 27, 2019; 197 pages.  
 Japanese Design Application No. 201826036 filed Nov. 30, 2018; Notice of Allowance dated Nov. 8, 2019; 6 pages.  
 Japanese Design Application No. 201826037 filed Nov. 30, 2018; Notice of Allowance dated Nov. 8, 2019; 6 pages.  
 Korean Design and Trademark Gazette, vol. 795, (Aug. 23, 1989), p. 40, 93797, (JPO Publicly Known Design No. HH02008182), 4 pages.  
 Philips, "1/91Elektro-Hausgera TE-Programm," HD5860, p. 23, dated Nov. 28, 1991, (JPO Publicly Known Design No. HD04000894), 5 pages.  
 U.S. Appl. No. 29/649,477, filed May 30, 2018; Restriction Requirement dated Dec. 19, 2019; 7 pages.  
 Written Opinion for International Application No. PCT/US2019/038269; dated Nov. 25, 2019; International Filing Date: Jun. 20, 2019; 11 pages.  
 Amazon.com; "SharkNinja PowerDoF CM6626T 12-Cup Glass Carafe Programmable Coffee Maker, Small, Black/Stainless Steel"; Nov. 11, 2016; pp. 1-11; [https://www.amazon.com/gp/product/b01ka7vwpy/ref=zg\\_bsnr\\_289745\\_1?e=utf8&psc=1&refrid=nry9kbp5b5nrh7e6dp8n](https://www.amazon.com/gp/product/b01ka7vwpy/ref=zg_bsnr_289745_1?e=utf8&psc=1&refrid=nry9kbp5b5nrh7e6dp8n).  
 Application for Registration of an Industrial Design Examiner's Report; Canadian Application No. 171623; dated Nov. 14, 2017; 2 Pages.  
 Application for Registration of an Industrial Design Examiner's Report; Canadian Application No. 171623; dated Feb. 17, 2017; 1 Page.  
 Application for Registration of an Industrial Design Examiner's Report; Canadian Application No. 171623; dated Jul. 25, 2017; 1 Page.  
 Decision to Dismiss the Amendment; Korean Application No. 30-2016-0053885; dated Jul. 6, 2017; 5 Pages.  
 Japanese Patent Application No. 2019018140 filed Aug. 16, 2019; Office Action dated May 11, 2020; 6 pages.  
 Non-Final Office Action; U.S. Appl. No. 29/564,778; filed May 16, 2016; Carafe; Notification Date: Mar. 10, 2017; 9 Pages.  
 Non-Final Office Action; U.S. Appl. No. 29/622,046; filed Oct. 13, 2017; Carafe; Notification dated Jun. 5, 2018; 20 Pages; Available in Image File Wrapper.  
 Notice of Allowance; Japanese Design Application No. 2016-024849; dated Mar. 31, 2017; 2 Pages.  
 Notice of Allowance; Japanese Design Application No. 2016-024850; dated Mar. 31, 2017; 2 Pages.  
 Notice of Allowance; Japanese Design Application No. 2016-024851; dated Mar. 31, 2017; 2 Pages.  
 Notice of Allowance; Japanese Design Application No. 2016-024852; dated Mar. 31, 2017; 2 Pages.  
 Notice of Allowance; Japanese Design Application No. 2016-024853; dated Mar. 31, 2017; 2 Pages.  
 Notice of Allowance; Japanese Design Application No. 2016-024854; dated Mar. 31, 2017; 2 Pages.  
 Notice of Allowance; Japanese Design Application No. 2016-024855; dated Mar. 31, 2017; 2 Pages.  
 Notice of Allowance; U.S. Appl. No. 29/564,776; filed May 16, 2016; Coffee Maker; Notification dated Mar. 21, 2018; 11 Pages.  
 Notice of Allowance; U.S. Appl. No. 29/564,778; filed May 16, 2016; Carafe; Notification Dated Jul. 13, 2017; 10 Pages.  
 Notice of Allowance; U.S. Appl. No. 29/564,780; filed May 16, 2016; Coffee Maker; Notification dated Mar. 21, 2018; 11 Pages.  
 Notice of Completion of Formalities for Patent Register and Notice of Grant of Design Patent Right; Chinese Application No. 2016305567649; dated Jan. 19, 2017; 5 Pages.

(56)

**References Cited**

OTHER PUBLICATIONS

Notice of Completion of Formalities for Patent Register and Notice of Grant of Design Patent Right; Chinese Application No. 2016305570459; dated Jan. 19, 2017; 5 Pages.

Notice of Completion of Formalities for Patent Register and Notice of Grant of Design Patent Right; Chinese Application No. 201630557068X; dated Jan. 19, 2017; 5 Pages.

Notice of Completion of Formalities for Patent Register and Notice of Grant of Design Patent Right; Chinese Application No. 2016305573207; dated Jan. 17, 2017; 5 Pages.

Notice of References; Japanese Design Application No. 2016-024849; dated Mar. 31, 2017; 2 Pages.

Notice of References; Japanese Design Application No. 2016-024850; dated Mar. 31, 2017; 2 Pages.

Preliminary Rejection; Korean Application No. 30-2016-0053875; dated Jul. 4, 2017; 3 Pages.

Preliminary Rejection; Korean Application No. 30-2016-0053876; dated Oct. 14, 2017; 7 Pages.

Preliminary Rejection; Korean Application No. 30-2016-0053877; dated Jul. 4, 2017; 4 Pages.

Preliminary Rejection; Korean Application No. 30-2016-0053878; dated Jul. 4, 2017; 2 Pages.

Preliminary Rejection; Korean Application No. 30-2016-0053879; dated Jul. 4, 2017; 5 Pages.

Preliminary Rejection; Korean Application No. 30-2016-0053882; dated Jul. 4, 2017; 5 Pages.

Preliminary Rejection; Korean Application No. 30-2016-0053885; dated Jul. 4, 2017; 5 Pages.

Requirement for Restriction/Election; U.S. Appl. No. 29/564,776; dated May 16, 2016; Coffee Maker and Components Thereof; Notification dated Dec. 7, 2017; 18 Pages.

Requirement for Restriction/Election; U.S. Appl. No. 29/564,780; dated May 16, 2016; Coffee Maker and Components Thereof; Notification dated Dec. 7, 2017; 18 Pages.

U.S. Appl. No. 29/622,046 filed Oct. 13, 2017; Notice of Allowance dated Oct. 25, 2018; 6 pages.

U.S. Appl. No. 29/653,369 filed Jun. 14, 2018; Restriction Requirement dated Jul. 18, 2019; 19 pages.

U.S. Appl. No. 29/653,379 filed Jun. 14, 2018; Restriction Requirement dated Jul. 18, 2019; 19 pages.

U.S. Appl. No. 29/724,419 filed Feb. 14, 2020; Restriction Requirement dated Apr. 27, 2020; 9 pages.

U.S. Appl. No. 29/680,943 filed Feb. 21, 2019; Restriction Requirement dated May 1, 2020; 16 pages.

\* cited by examiner

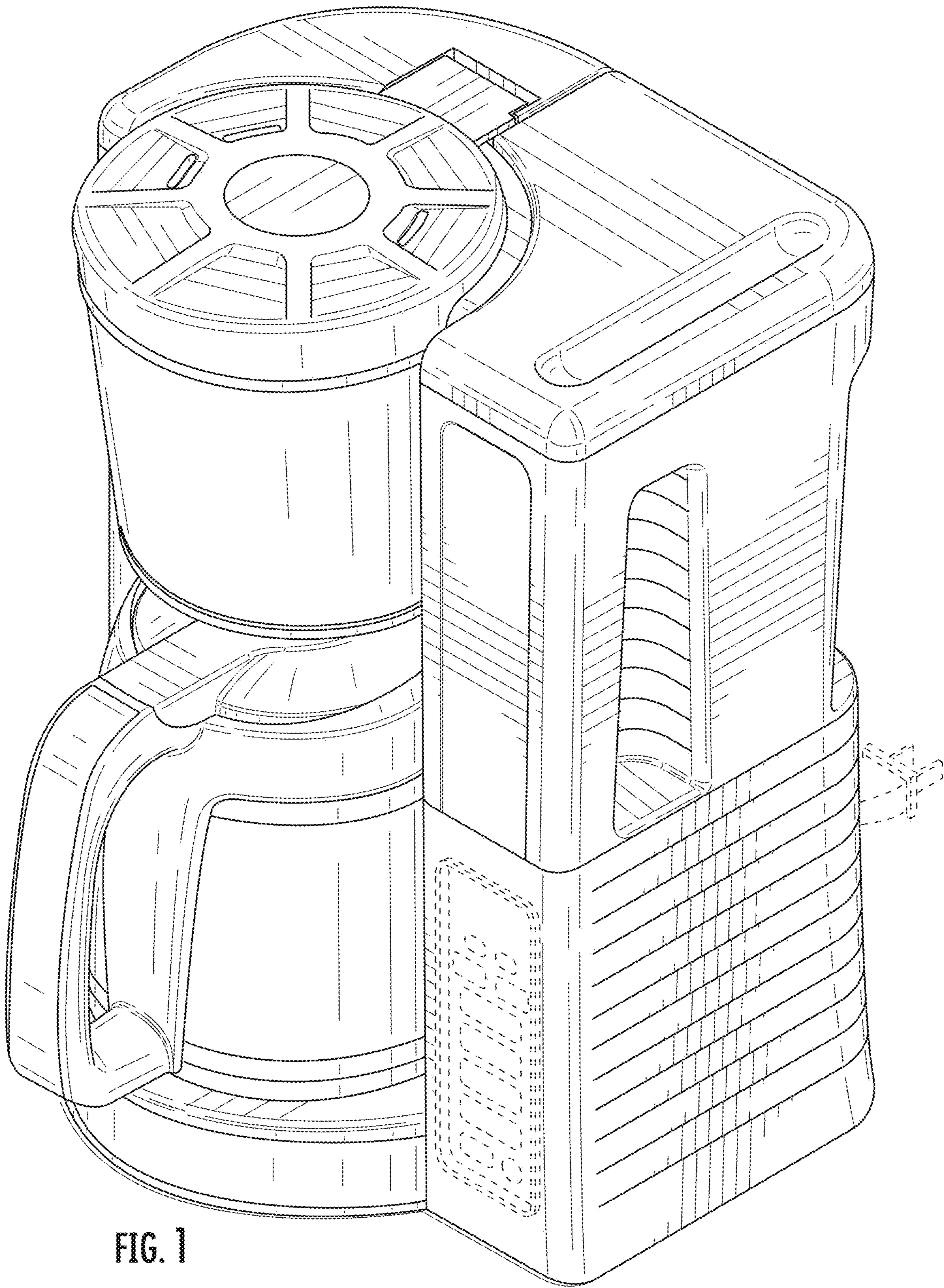


FIG. 1

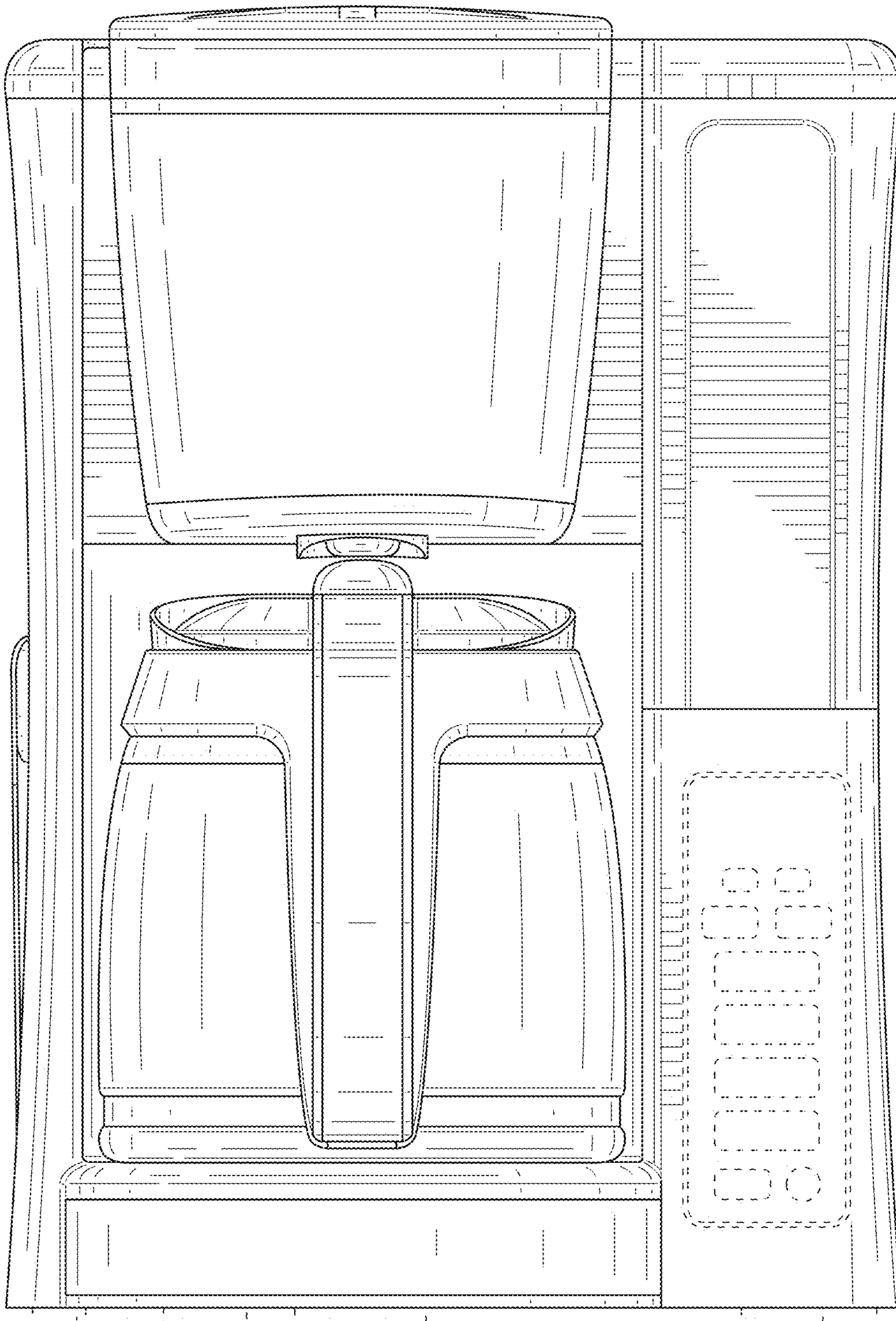


FIG. 2

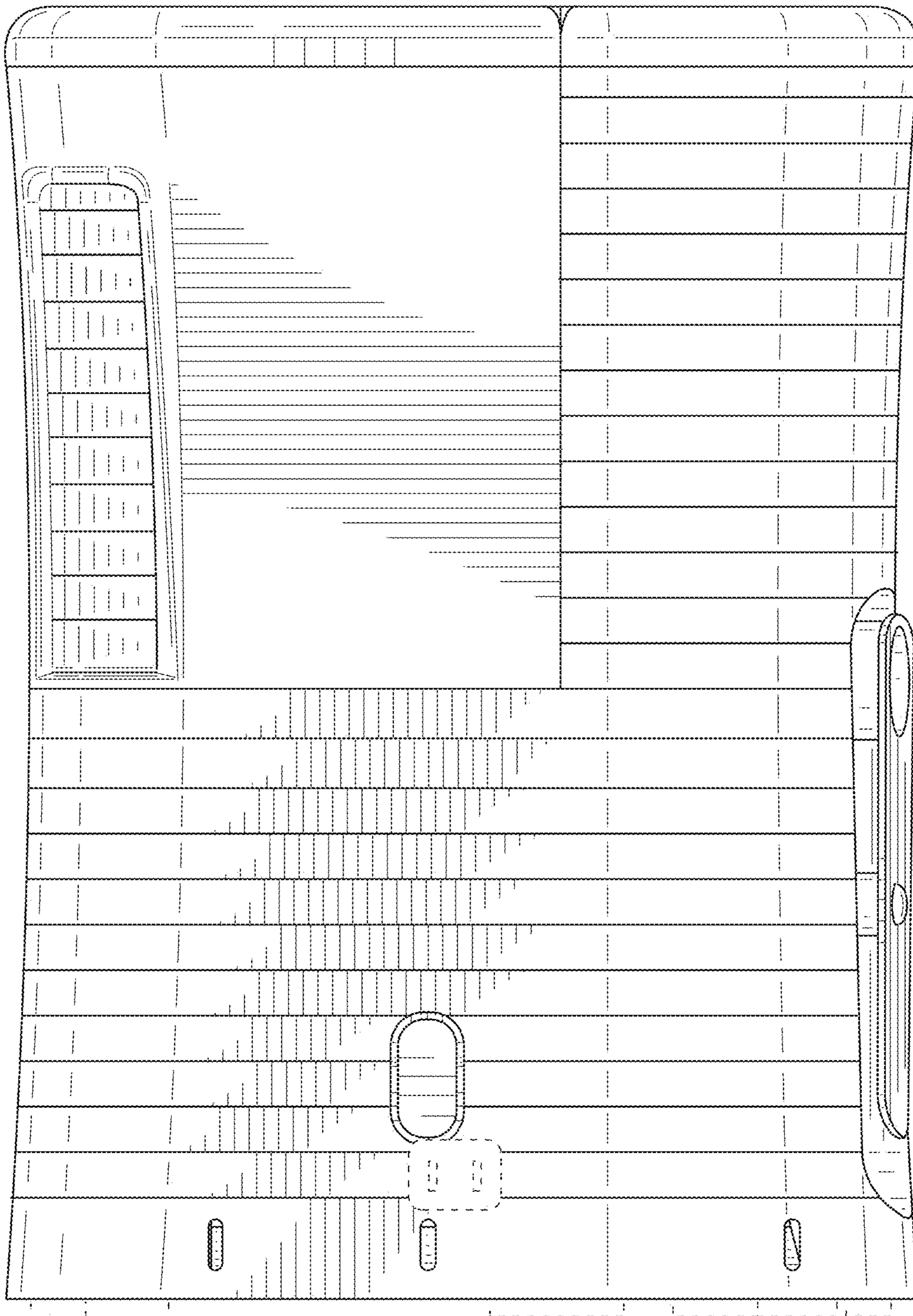


FIG. 3

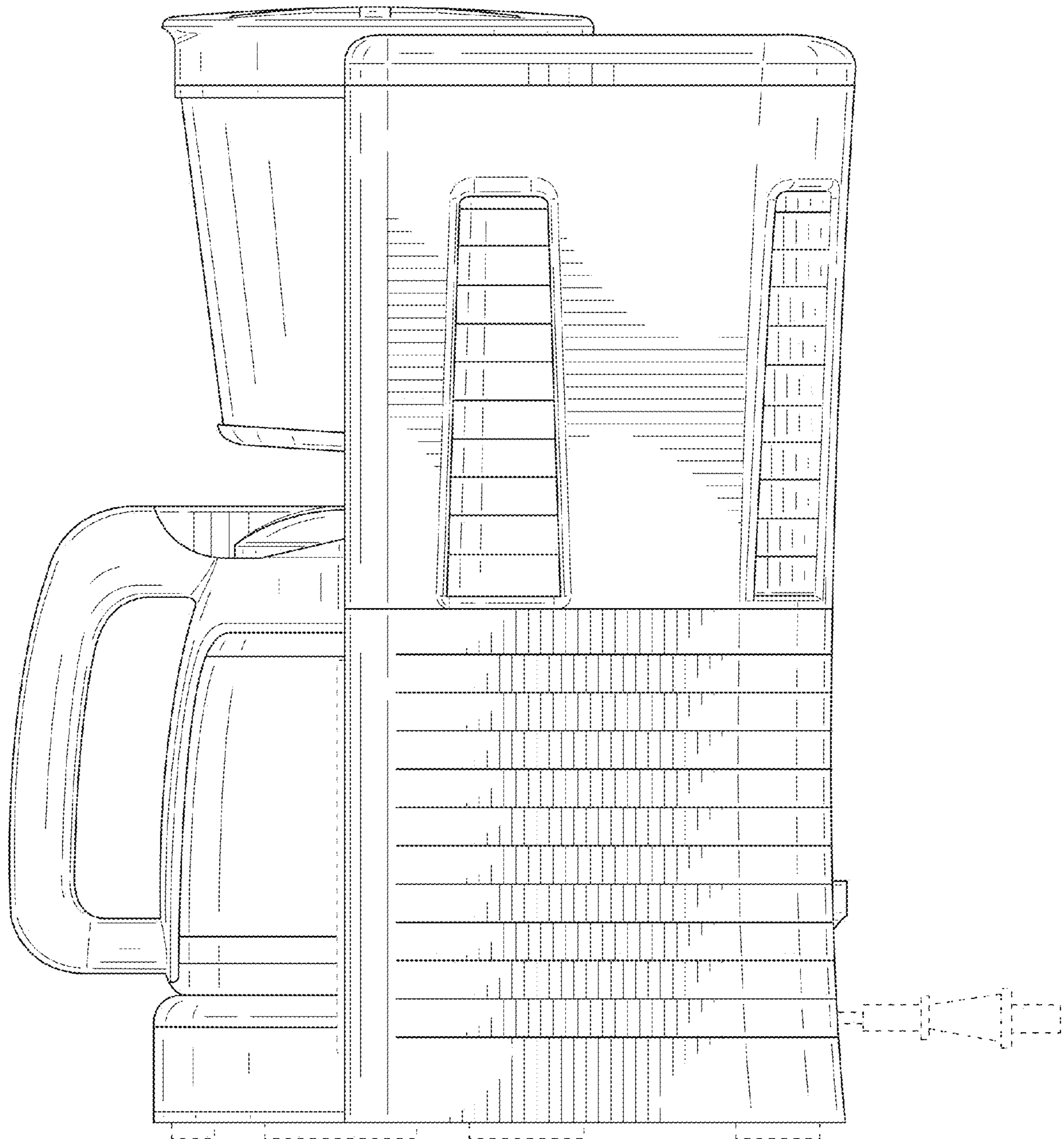


FIG. 4

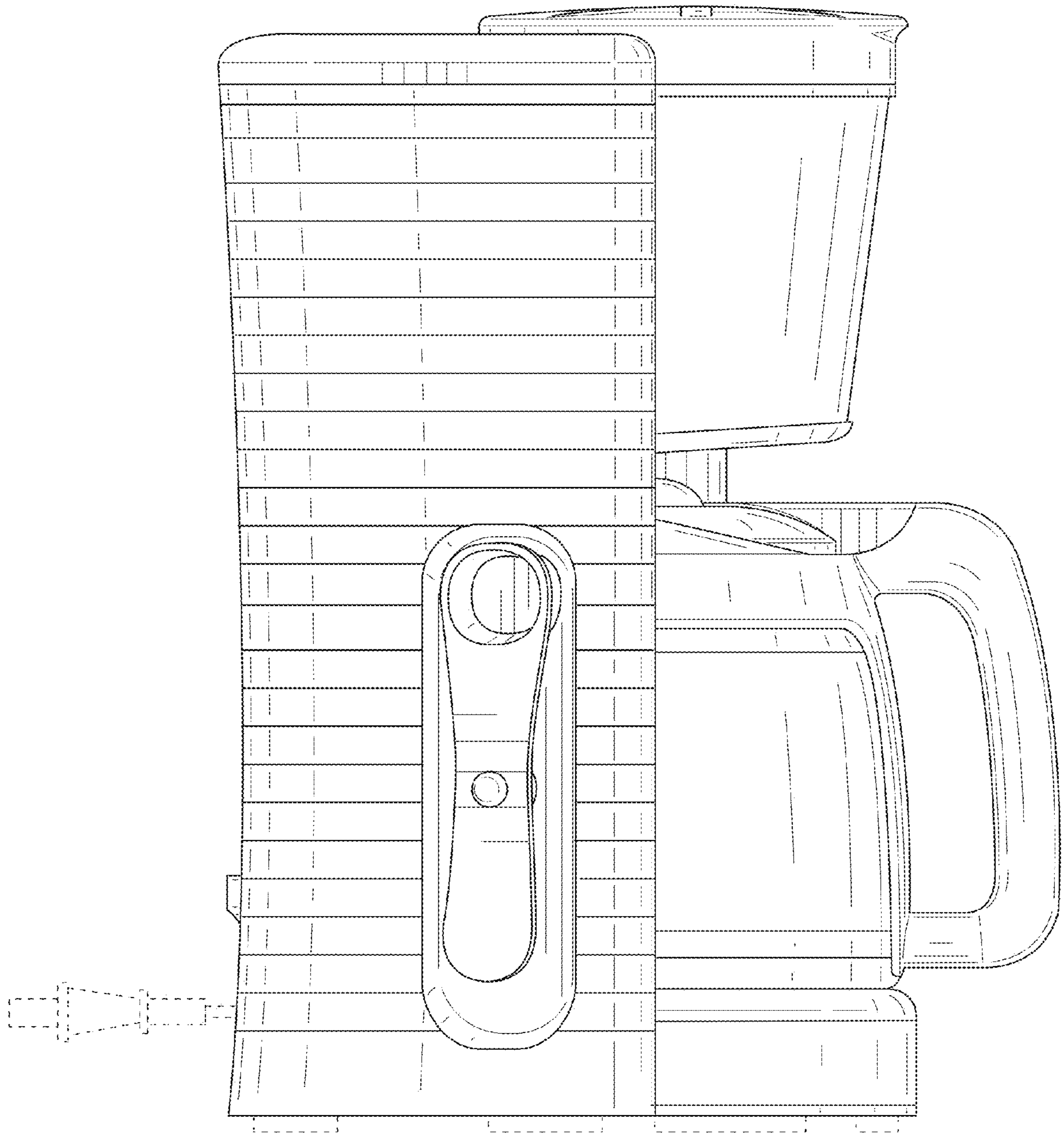


FIG. 5



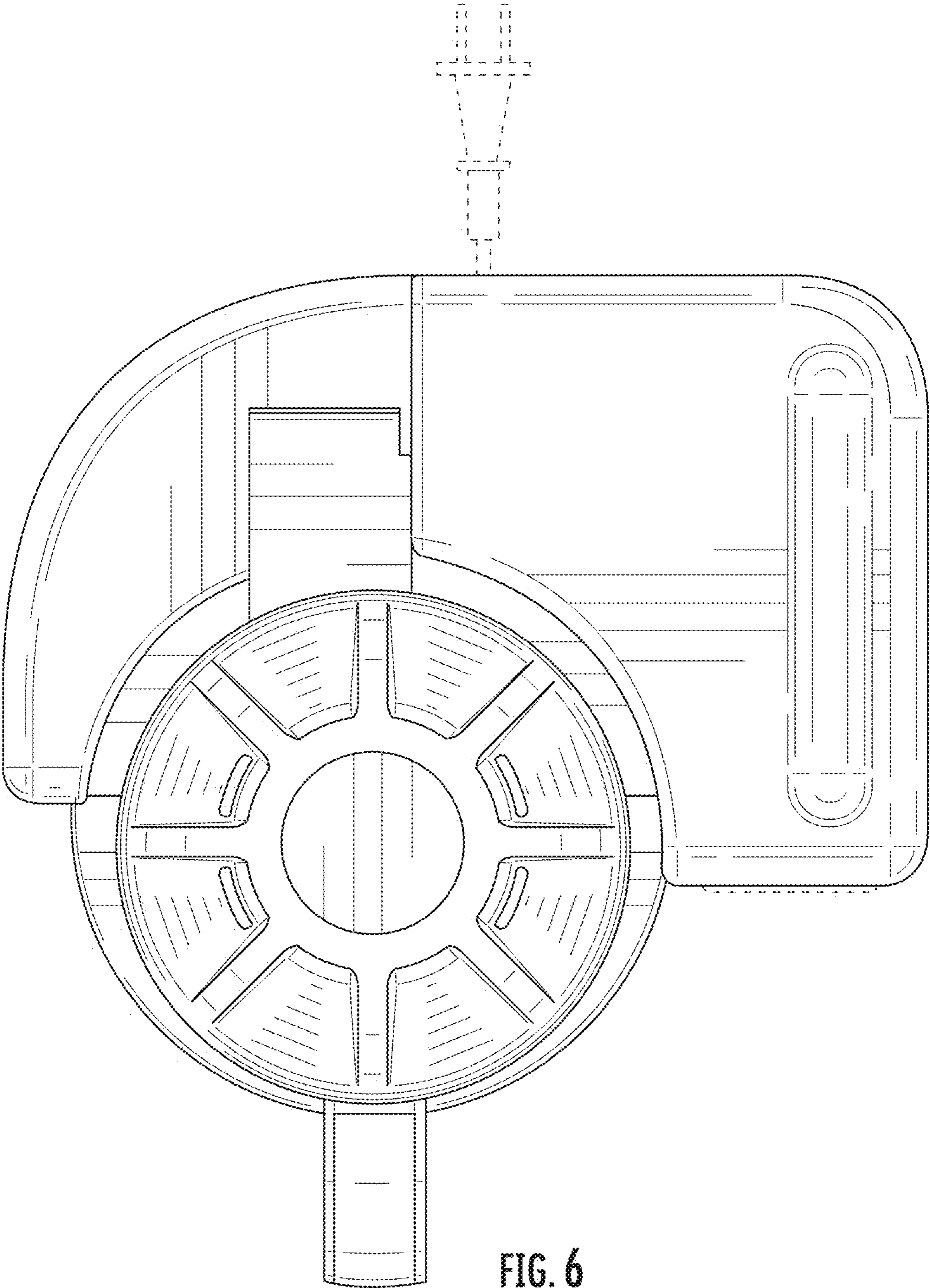


FIG. 6

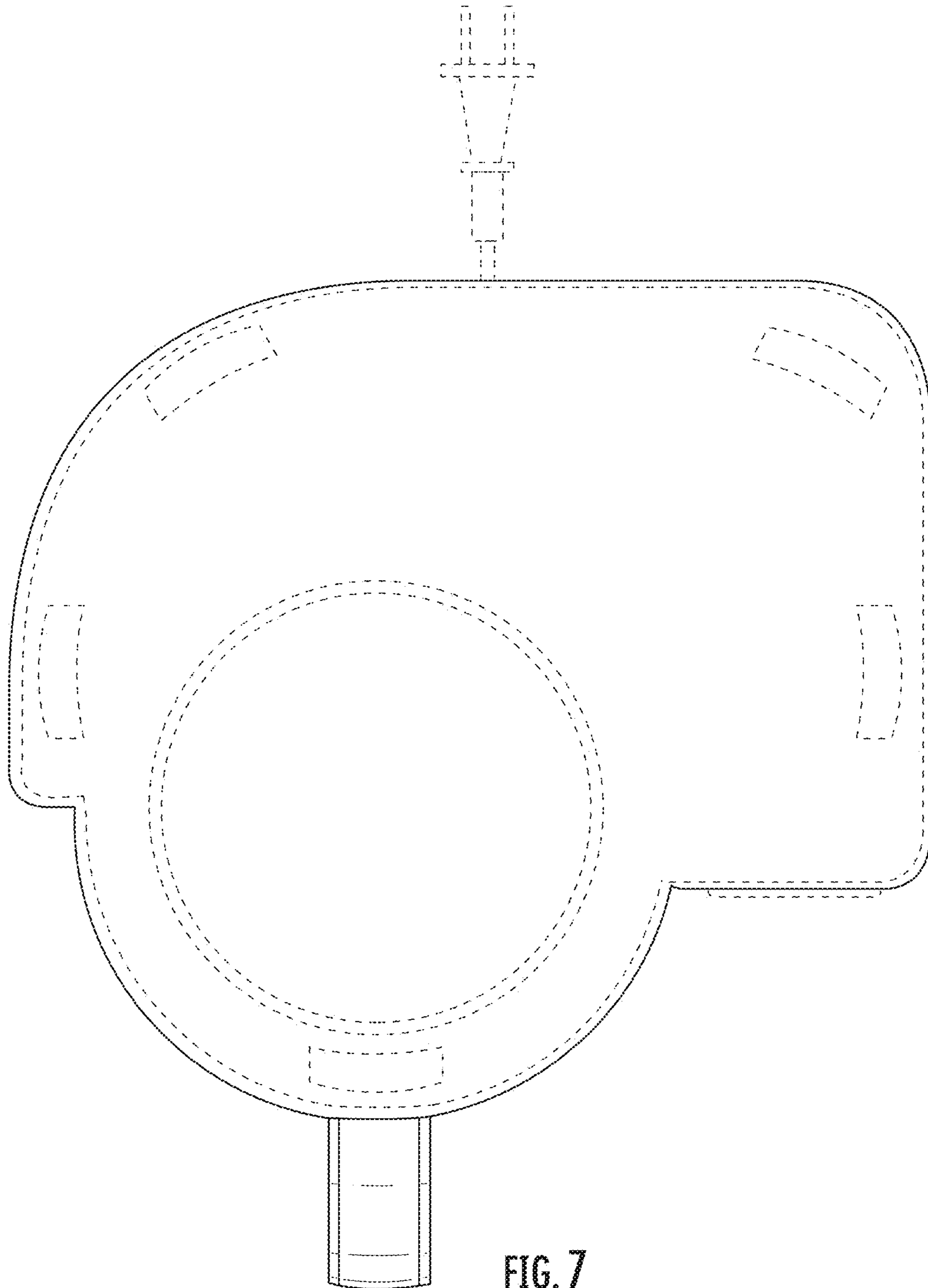


FIG. 7

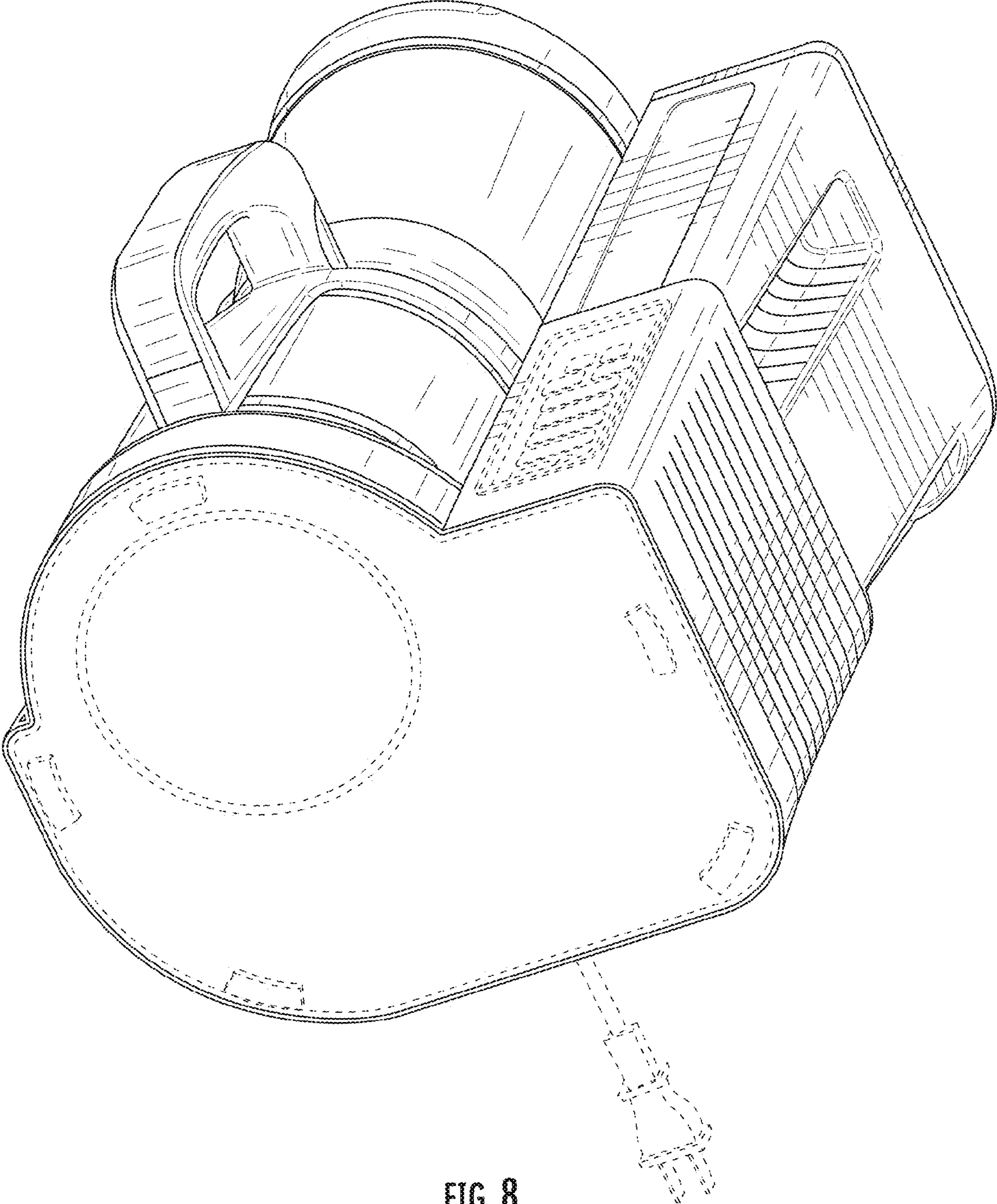


FIG. 8