



US00D907946S

(12) **United States Design Patent**  
**Parab et al.**

(10) **Patent No.:** **US D907,946 S**

(45) **Date of Patent:** **\*\* Jan. 19, 2021**

(54) **SHELF SUPPORT BEAM**

(71) Applicant: **Edsal Manufacturing Company, Inc.**,  
Chicago, IL (US)

(72) Inventors: **Rohan Parab**, Chicago, IL (US); **Jeff Lamber**, Minooka, IL (US); **Anthony J. Troyner**, Shorewood, IL (US); **Mitchell Liss**, Northbrook, IL (US); **Mitchell E. Bianchin**, Villa Park, IL (US)

(73) Assignee: **Edsal Manufacturing Company, Inc.**,  
Chicago, IL (US)

(\*\*) Term: **15 Years**

(21) Appl. No.: **29/682,257**

(22) Filed: **Mar. 4, 2019**

(51) **LOC (13) Cl.** ..... **20-02**

(52) **U.S. Cl.**  
USPC ..... **D6/675.5**

(58) **Field of Classification Search**  
USPC ..... D6/300, 310, 320, 329, 512, 513, 514,  
D6/515, 545, 567, 574, 641, 642, 661,  
(Continued)

(56) **References Cited**

U.S. PATENT DOCUMENTS

3,278,043 A \* 10/1966 Kimpton ..... A47B 57/402  
211/191  
3,999,875 A \* 12/1976 Simon ..... A47B 57/30  
403/186

(Continued)

OTHER PUBLICATIONS

Storage Rack Beam, www.globalindustrial.com [online]. Published on or before Aug. 1, 2020, [retrieved on Aug. 1, 2020]. Retrieved

from the Internet: <URL:https://www.globalindustrial.com/p/storage/bulk-rack/extra-heavy-duty/interlake-bulk-storage-rack-beam-zs-48-inch-1-for-metal-shelves> (Year: 2020).\*

Dahlstrom\_u-channel, www.dahlstromrollform.com [online]. Published on or before Sep. 24, 2020, [retrieved on Sep. 24, 2020]. Retrieved from the Internet: <URL:https://www.dahlstromrollform.com/wp-content/uploads/2019/05/u-channel.pdf> (Year: 2020).\*

*Primary Examiner* — Michael A. Pratt

*Assistant Examiner* — Adam C Mager

(74) *Attorney, Agent, or Firm* — Wood Herron & Evans LLP

(57) **CLAIM**

The ornamental design for a shelf support beam, as shown and described.

**DESCRIPTION**

FIG. 1 is an isometric view of the shelf support beam of the present invention;

FIG. 2 is a front isometric view thereof;

FIG. 3 is another front isometric view thereof;

FIG. 4 is a rear isometric view thereof;

FIG. 5 is a front elevation view thereof;

FIG. 6 is a rear elevation view thereof;

FIG. 7 is a top plan view thereof;

FIG. 8 is a bottom plan view thereof;

FIG. 9 is a left side elevation view thereof;

FIG. 10 is a right side elevation view thereof;

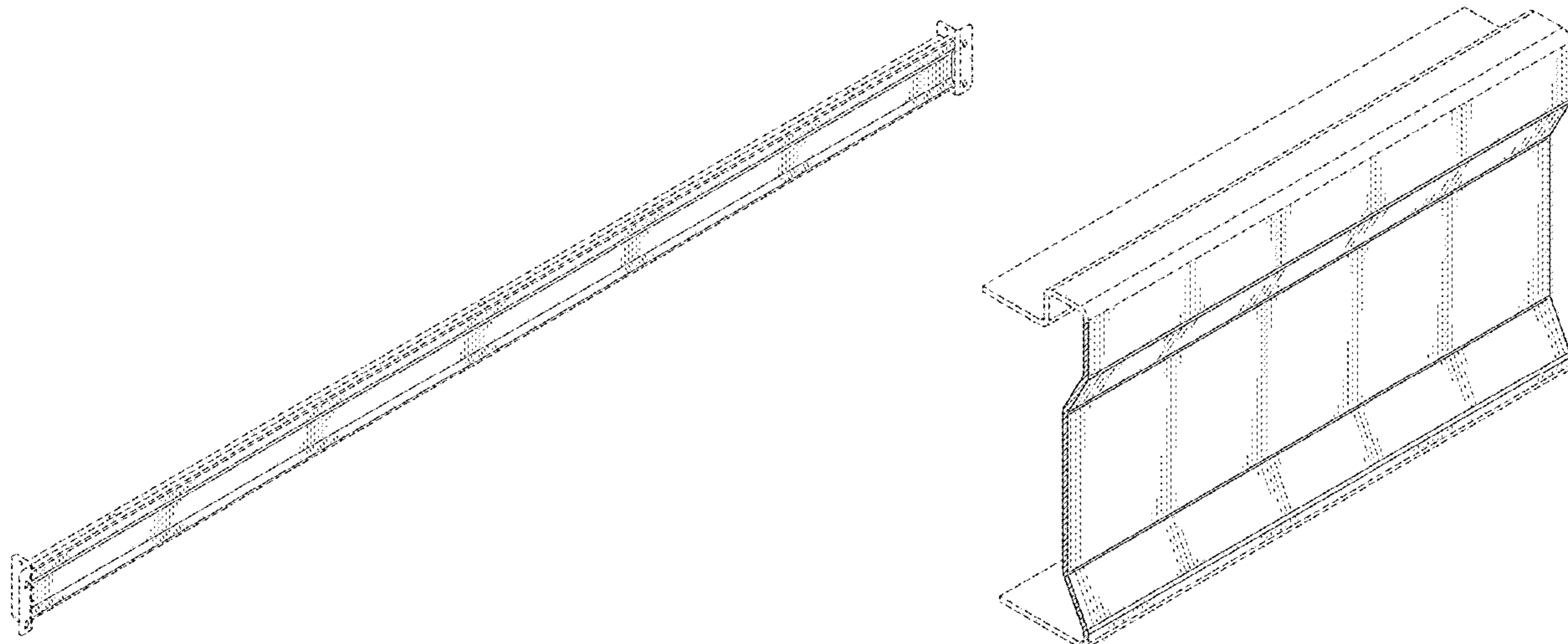
FIG. 11 is a cross-section view of a portion of the view of FIG. 3; and,

FIG. 12 is a rear isometric view of the view of FIG. 11.

The broken dash lines in the figures are for illustrative purposes only and represent non-claimed environmental subject matter. Neither the portions of the invention shown in broken dash line nor the broken dash lines themselves form any part of the claimed invention.

The diagonal lines illustrated on the end of the enlarged portion of the shelf support beam in FIG. 11 represent a cross-section and do not form any part of the claimed design.

**1 Claim, 8 Drawing Sheets**



(58) **Field of Classification Search**

USPC ... D6/662.1, 663-691, 694, 702, 705, 705.2,  
 D6/705.4, 705.5, 705.6, 705.7, 706,  
 D6/708.16, 712, 719; D7/300, 301, 302,  
 D7/303, 304, 305, 306, 307, 308, 309,  
 D7/310, 311, 312, 313, 314, 315, 316,  
 D7/317, 318, 319, 320, 321, 322, 396.1,  
 D7/552.2, 600, 600.1, 600.4, 701; D8/71,  
 D8/354, 363, 373, 374, 377, 381, 394;  
 D3/201, 297, 304, 306; D34/12, 21;  
 D12/223, 412; D20/44; D21/686;  
 D25/102-136  
 CPC ..... A47B 11/00; A47B 9/00; A47B 51/00;  
 A47B 57/00; A47B 57/08; A47B 57/10;  
 A47B 57/16; A47B 57/30; A47B 45/00;  
 A47B 47/00; A47B 47/021; A47B  
 47/025; A47B 47/027; A47B 87/00; A47B  
 87/008; A47B 87/02; A47B 87/0207;  
 A47B 43/00; A47B 43/03; A47B 43/04;  
 A47B 88/00; A47B 88/40; A47B 88/423;  
 A47B 88/427; A47B 19/00; A47B 31/00;  
 A47B 2031/002; A47B 2031/003; A47B  
 2031/008; A47B 63/00; A47B 61/02;

A47F 1/00; A47F 1/04; A47F 1/12; A47F  
 3/00; A47F 3/02; A47F 3/0439; A47F  
 5/00; A47F 5/00; A47F 5/0018; A47F  
 5/0043; A47F 10/02; F16B 2/065

See application file for complete search history.

(56)

**References Cited**

U.S. PATENT DOCUMENTS

4,233,912	A *	11/1980	Ferdinand .....	A47B 57/10 108/109
D438,448	S *	3/2001	Batting .....	D8/354
D570,208	S *	6/2008	Senn .....	D8/400
D600,362	S *	9/2009	Geffe .....	D25/126
7,591,385	B2 *	9/2009	Brooks .....	A47F 5/0846 211/70.6
D668,945	S *	10/2012	Fernandez .....	D8/377
D733,473	S *	7/2015	Troyner .....	D6/705
D769,037	S *	10/2016	Anderson .....	D6/705
D877,603	S *	3/2020	Barker .....	D8/394
2005/0103734	A1 *	5/2005	Saltzberg .....	A47B 96/1441 211/187
2006/0175274	A1 *	8/2006	Yang .....	A47B 57/00 211/94.01

\* cited by examiner

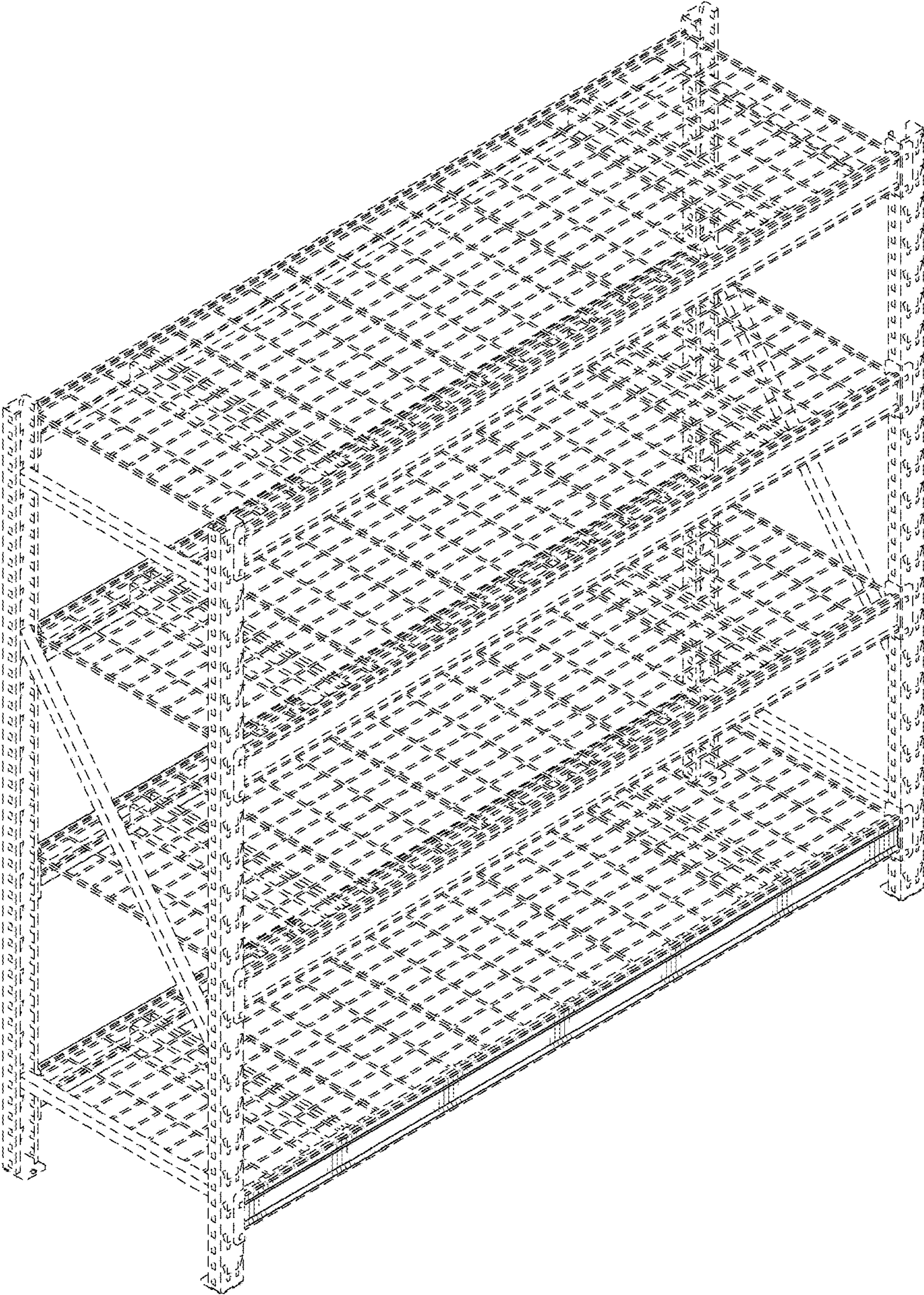


FIG. 1

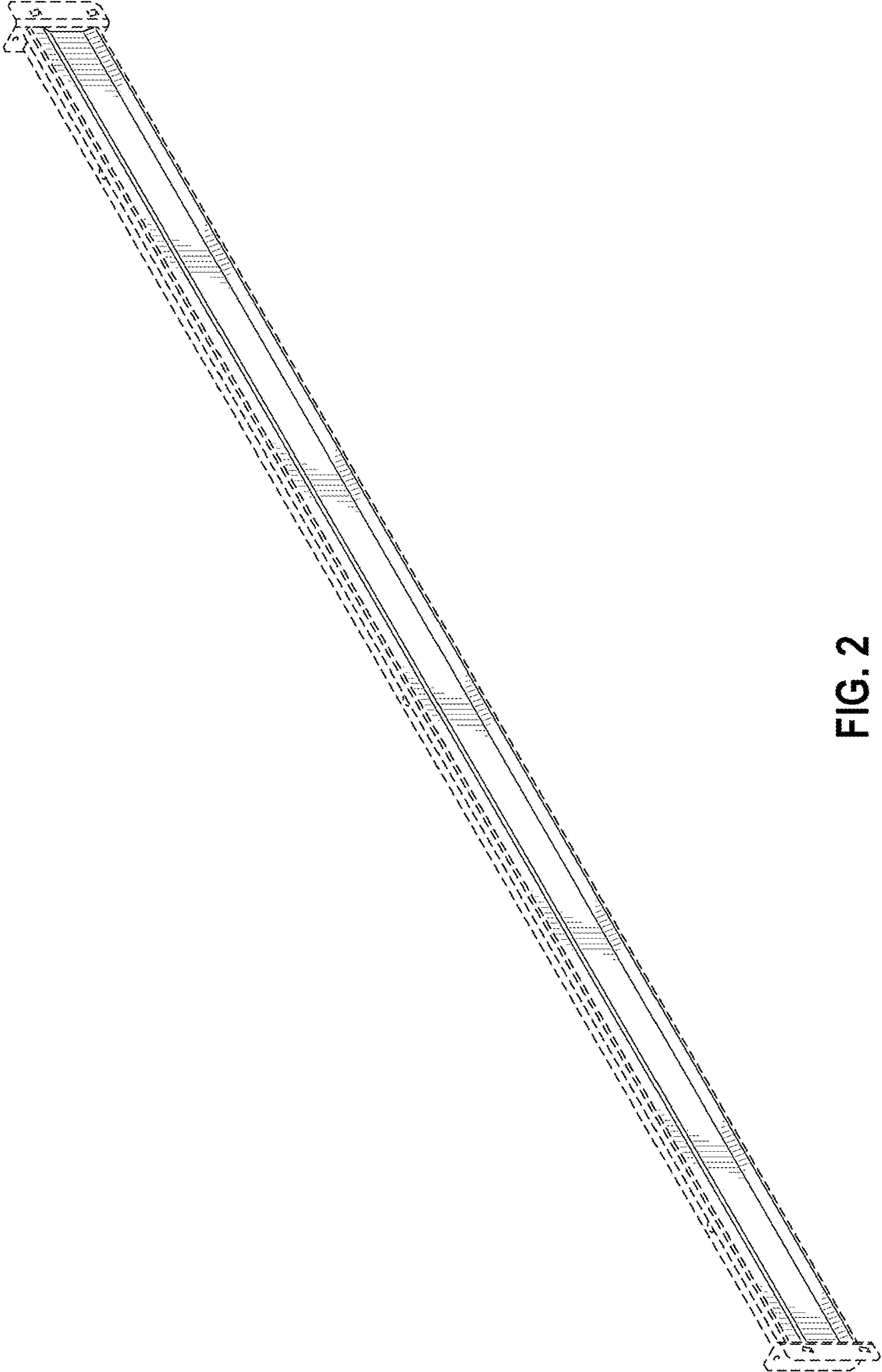


FIG. 2

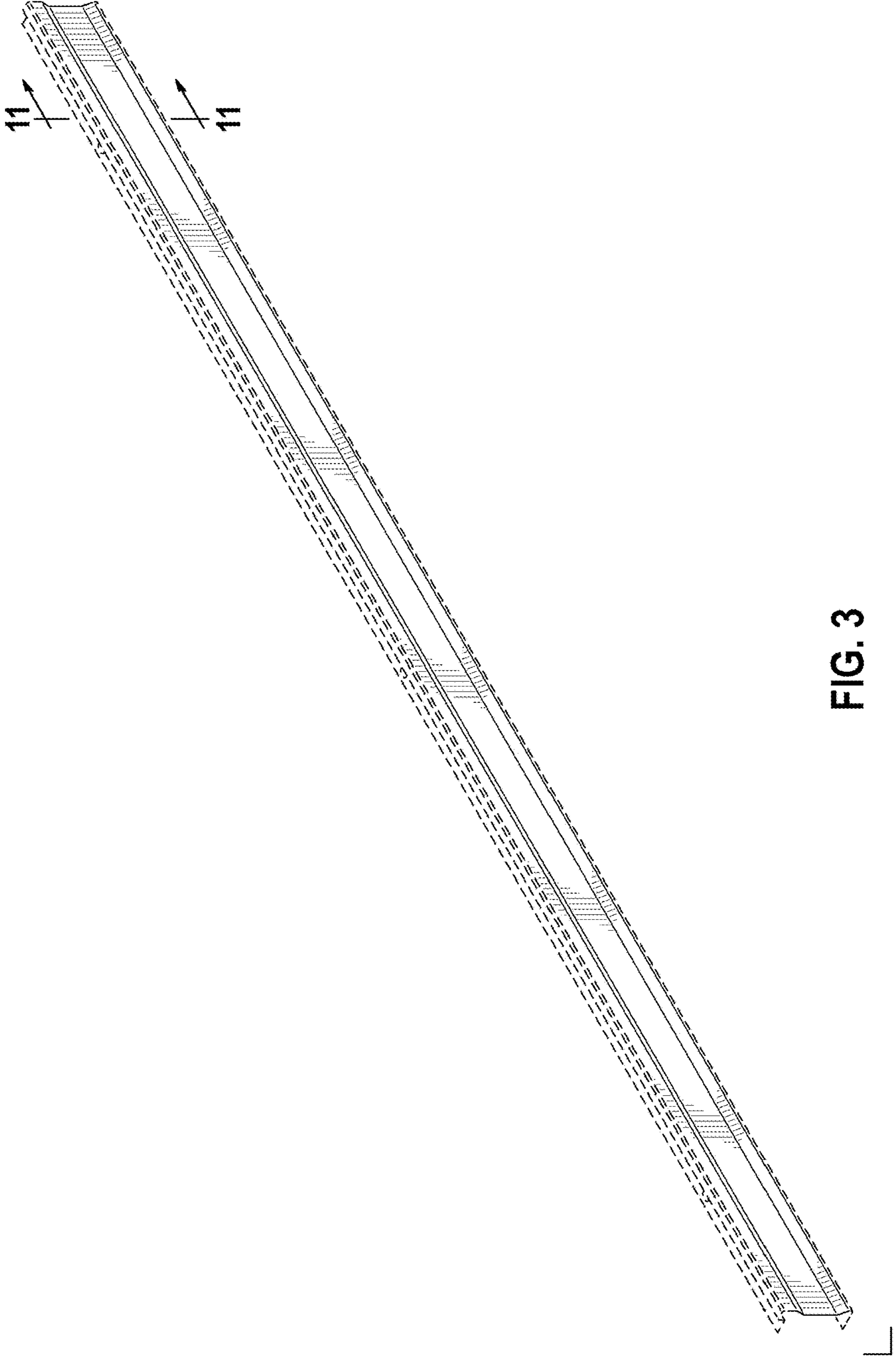


FIG. 3



FIG. 4

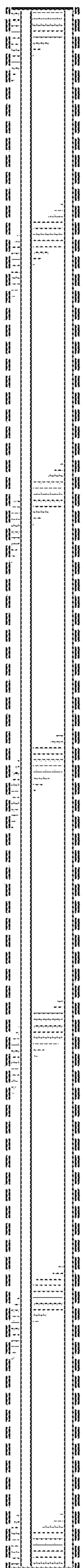


FIG. 5

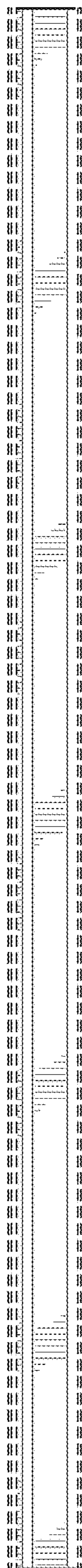


FIG. 6

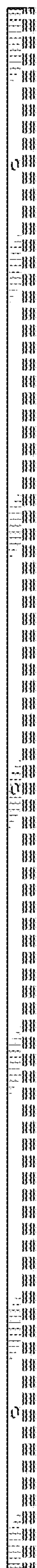


FIG. 7

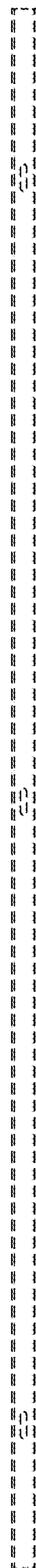


FIG. 8

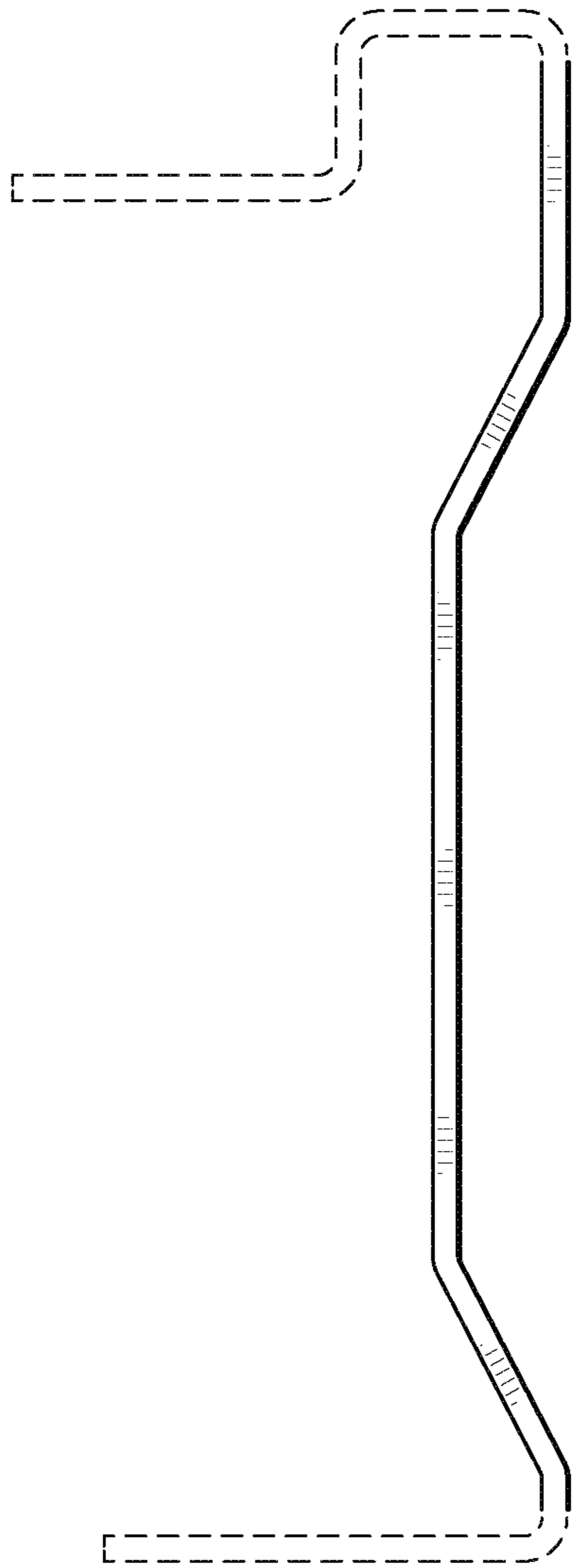


FIG. 9

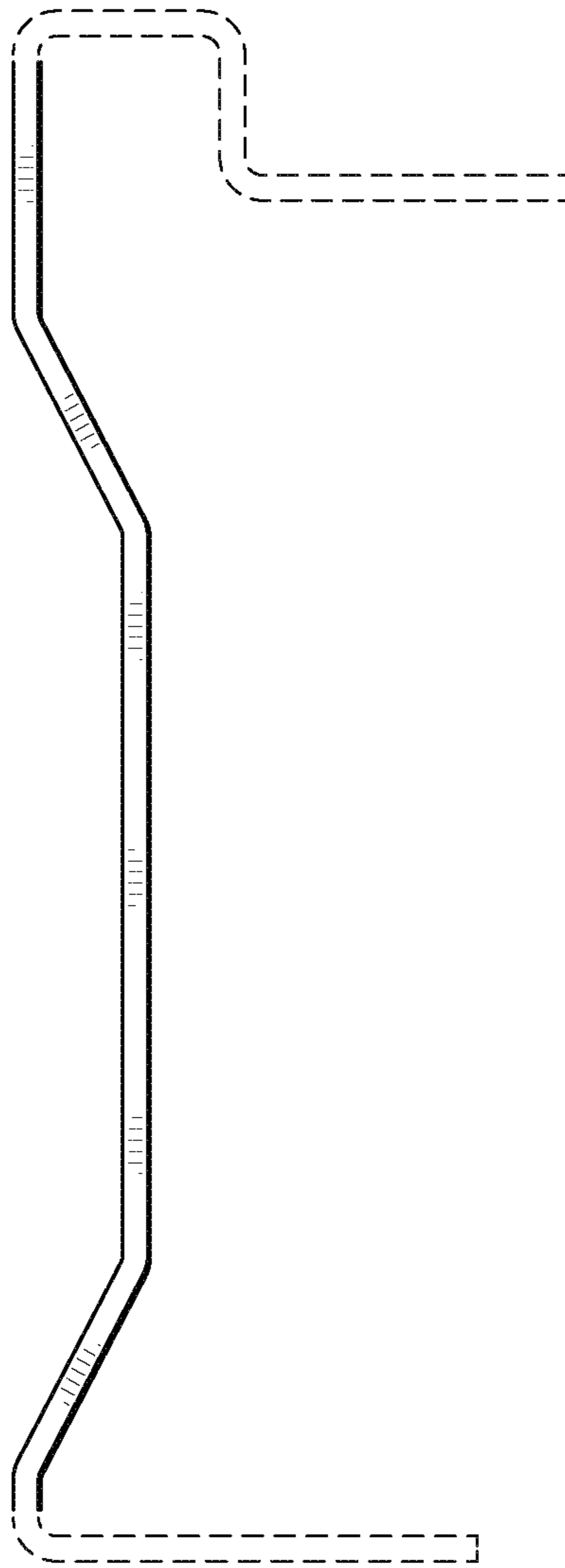


FIG. 10



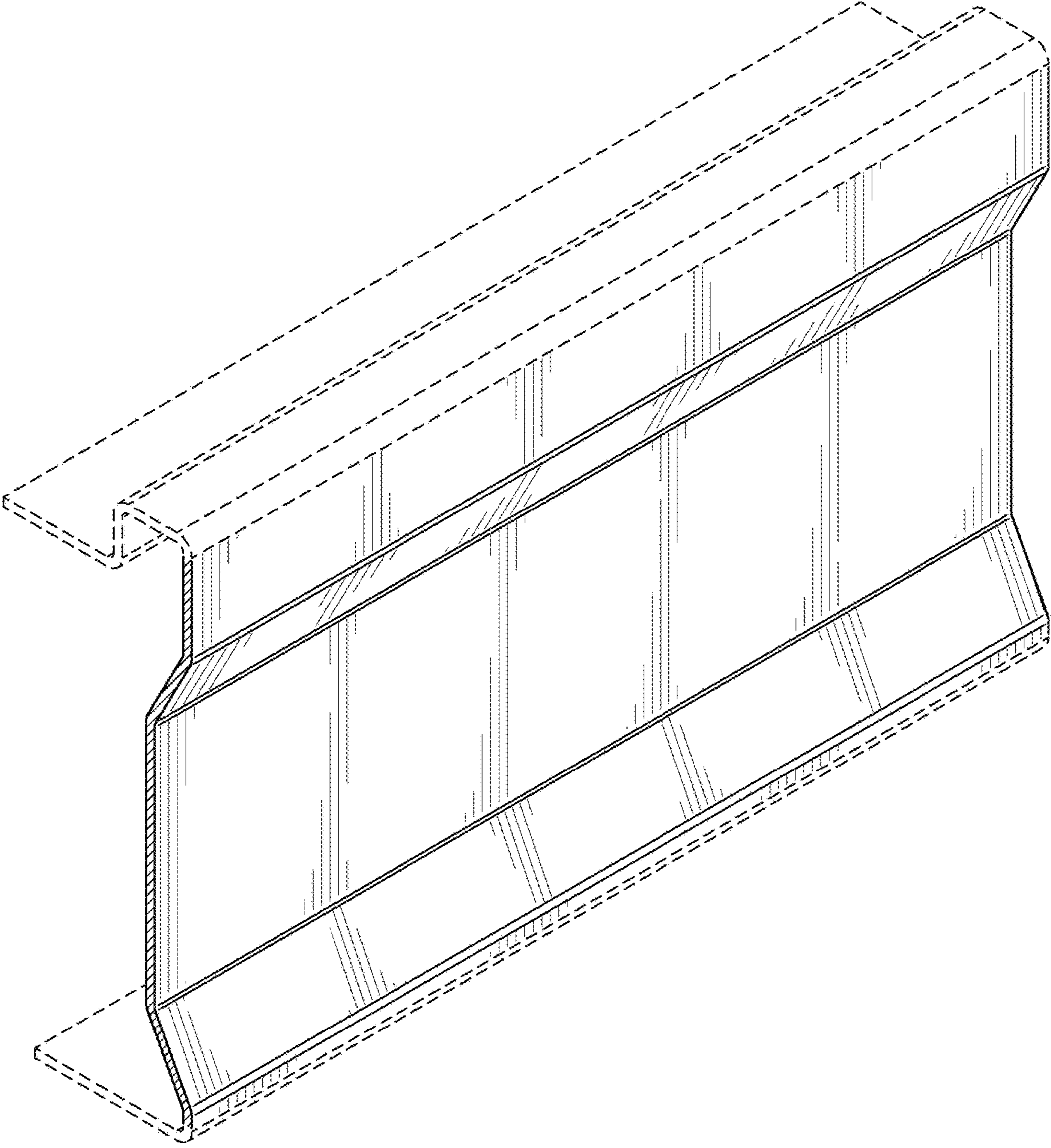


FIG. 11

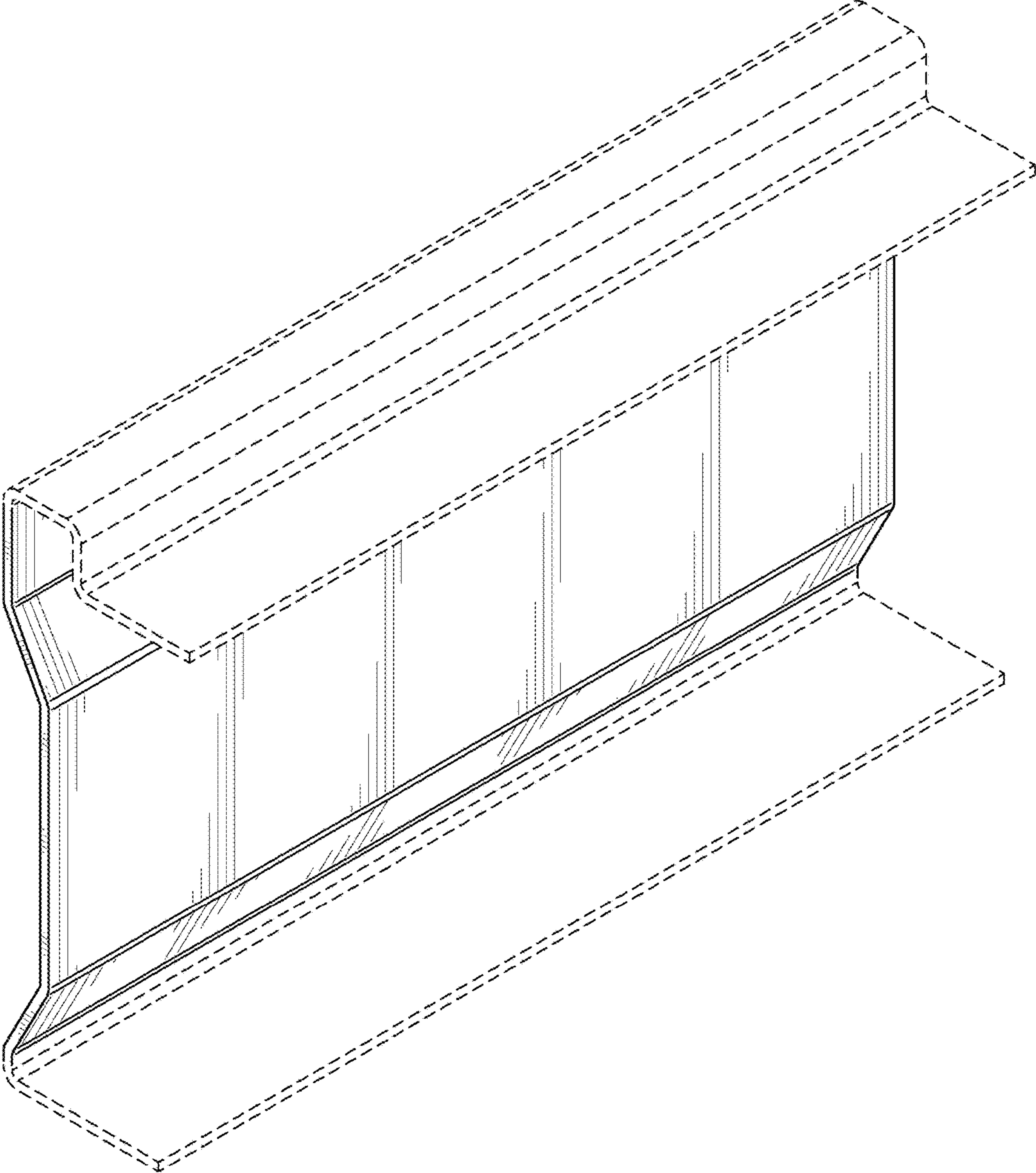


FIG. 12