



US00D907940S

(12) **United States Design Patent**
Kassin et al.

(10) **Patent No.:** **US D907,940 S**
(45) **Date of Patent:** **** Jan. 19, 2021**

- (54) **COMFORT MAT**
- (71) Applicants: **Albert Kassin**, Levittown, NY (US);
Lan Chen, New York, NY (US); **Zi Zhang**, Flushing, NY (US)
- (72) Inventors: **Albert Kassin**, Levittown, NY (US);
Lan Chen, New York, NY (US); **Zi Zhang**, Flushing, NY (US)
- (73) Assignee: **Best Brands Consumer Products, Inc.**,
Merrick, NY (US)
- (**) Term: **15 Years**
- (21) Appl. No.: **29/610,611**
- (22) Filed: **Jul. 13, 2017**
- (51) **LOC (13) Cl.** **06-11**
- (52) **U.S. Cl.**
USPC **D6/596**
- (58) **Field of Classification Search**
USPC D6/582-583, 585-589, 592, 595, 597,
D6/601-603, 608-609, 613-616;
D7/388; D12/202, 203; D19/10;
D23/261; D24/213; D25/138, 157, 158;
D30/161; D32/55, 57
CPC A47G 9/062; A47G 27/0468; A47G
27/0293; A47G 27/025; A47G 27/0237;
A47G 27/0231; A47G 27/0225; A47G
27/0218; A47G 27/0212; A47G 27/0206;
A47G 27/02; A47K 3/002; A47L 23/266;
A47L 3/26; A63B 6/00; A63B 21/4037;
E04F 2201/095
See application file for complete search history.

- 2,124,123 A * 7/1938 Rosengarten A63B 69/3661
15/208
- 3,793,128 A * 2/1974 Chancellor, Jr. B29C 70/00
427/202
- 4,107,811 A * 8/1978 Imsande A47L 23/266
15/104.002

(Continued)

OTHER PUBLICATIONS

NewLife by GelPro Professional Grade Anti-Fatigue Kitchen Floor Mat. Amazon.com. Nov. 26, 2013. <<http://www.amazon.com/NewLife-GelPro-104-00-2032-8-Professional-Anti-Fatigue/dp/B0057GV3WQ>>. (Year: 2013).*

(Continued)

Primary Examiner — Kevin K Rudzinski

Assistant Examiner — Clare Ann Gannon

(74) *Attorney, Agent, or Firm* — Goldberg Cohen LLP

(57) **CLAIM**

We claim the ornamental design for a comfort mat, as shown and described.

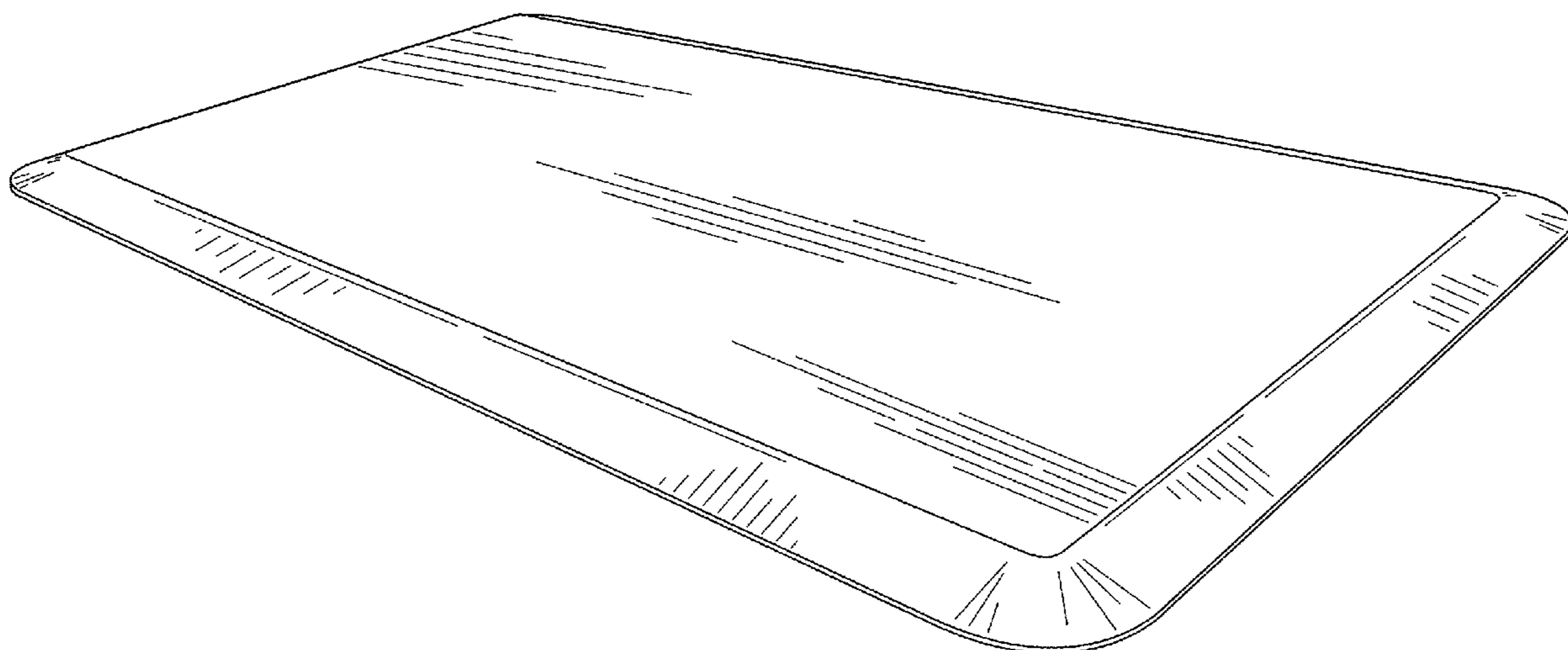
DESCRIPTION

FIG. 1 is a perspective view of the comfort mat of the present invention;
 FIG. 2 is a top view thereof;
 FIG. 3 is a front view thereof, the rear view being a mirror image thereof;
 FIG. 4 is a right side view thereof, the left side view being a mirror image thereof;
 FIG. 5 is a cross-sectional view thereof taken along the line 5-5 of FIG. 2, showing a central portion of the design broken away for ease of illustration;
 FIG. 6 is a bottom view thereof;
 FIG. 7 is an enlarged detailed view thereof, the detail being taken in view 7 of FIG. 5; and,
 FIG. 8 is an enlarged detailed view thereof, the detail being taken in view 8 of FIG. 6.

1 Claim, 6 Drawing Sheets

(56) **References Cited**
U.S. PATENT DOCUMENTS

- 1,628,090 A * 5/1927 Weiss E04B 1/86
217/53
- 1,756,380 A * 4/1930 Osborn A47G 27/0225
15/244.4



(56)

References Cited

U.S. PATENT DOCUMENTS

D355,226 S * 2/1995 Wadley D21/686
 5,645,914 A * 7/1997 Horowitz A47G 27/0231
 428/172
 D403,193 S * 12/1998 Felter, Jr. D6/596
 D403,547 S * 1/1999 Adkins D6/582
 D513,774 S * 1/2006 Nudo D21/698
 D520,797 S * 5/2006 Bosworth D6/582
 D574,962 S * 8/2008 Atkins A47G 27/0206
 D24/189
 D642,844 S * 8/2011 Cheris A47G 27/0231
 D6/582
 D674,640 S * 1/2013 Knoll A47G 27/0206
 D6/582
 D713,654 S * 9/2014 Robbins, III B29C 70/00
 D6/582
 D715,274 S * 10/2014 Callas A61B 17/54
 D14/230
 D749,062 S * 2/2016 Callas D14/230
 D758,096 S * 6/2016 Calkins A63B 21/4037
 D6/582
 D827,333 S * 9/2018 Patton A63B 69/3661
 D6/582
 D849,635 S * 5/2019 Vargo D12/203
 D876,123 S * 2/2020 Scorgie D6/583
 D882,985 S * 5/2020 Yu D6/601
 D889,142 S * 7/2020 Schneider D6/332
 2006/0177626 A1 * 8/2006 Johnson A47G 27/0231
 428/99

2011/0296801 A1 * 12/2011 Cheris A47G 27/0206
 53/473
 2012/0177867 A1 * 7/2012 Kuo A47L 23/266
 428/71
 2014/0335319 A1 * 11/2014 Tsai A63B 21/4037
 428/172
 2014/0342126 A1 * 11/2014 Oh B32B 37/14
 428/160
 2016/0030799 A1 * 2/2016 Sutherland A63B 21/4037
 5/420
 2016/0037949 A1 * 2/2016 Dawson A47G 27/0206
 428/95
 2016/0374491 A1 * 12/2016 Chiang A47G 27/0212
 428/76
 2017/0136730 A1 * 5/2017 Dawson B32B 5/022
 2017/0318997 A1 * 11/2017 Amrine A47G 27/0206
 2018/0042420 A1 * 2/2018 Johnson A47G 27/0231
 2018/0185063 A1 * 7/2018 DiMitri A61B 17/54
 2018/0213959 A1 * 8/2018 Foley A47G 27/0231
 2019/0000233 A1 * 1/2019 Holland G09F 1/00

OTHER PUBLICATIONS

Anti Fatigue Comfort Floor Mat by Sky Mats. Amazon.com. Jul. 29, 2014. Accessed on Jan. 16, 2020. (Year: 2014).*
 Gorilla Grip Original Premium Anti-Fatigue Runner Comfort Mat. Amazon.com. May 1, 2017. Accessed on Jan. 16, 2020. (Year: 2017).*

* cited by examiner



FIG. 1

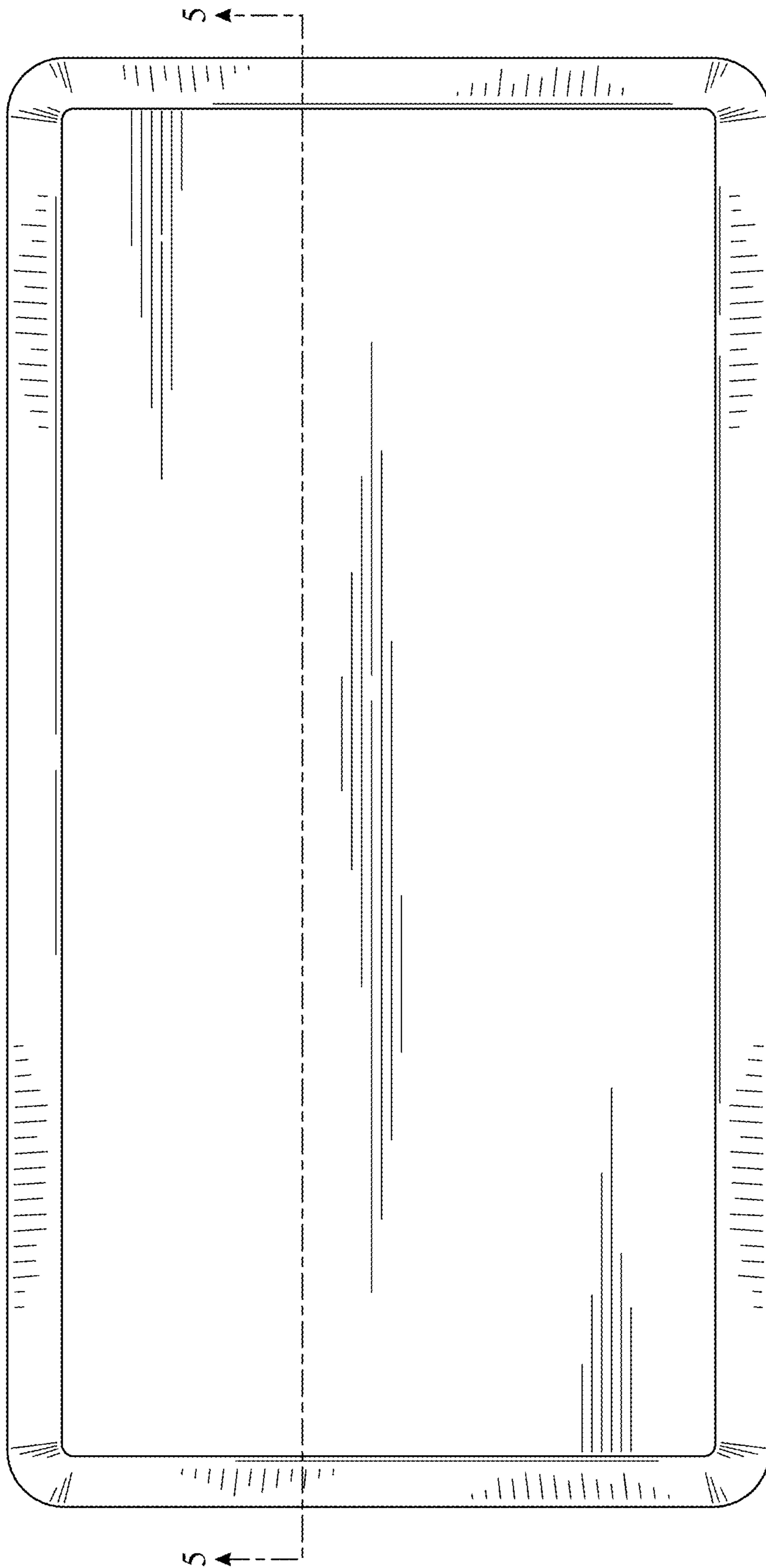


FIG. 2



FIG. 3



FIG. 4

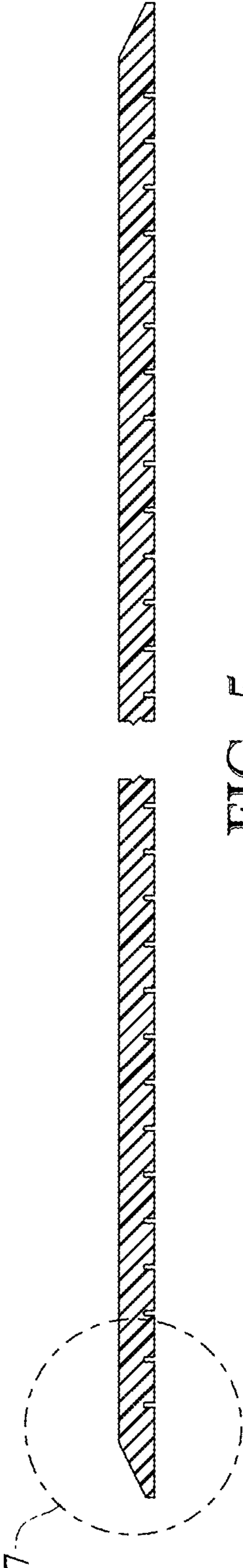


FIG. 5

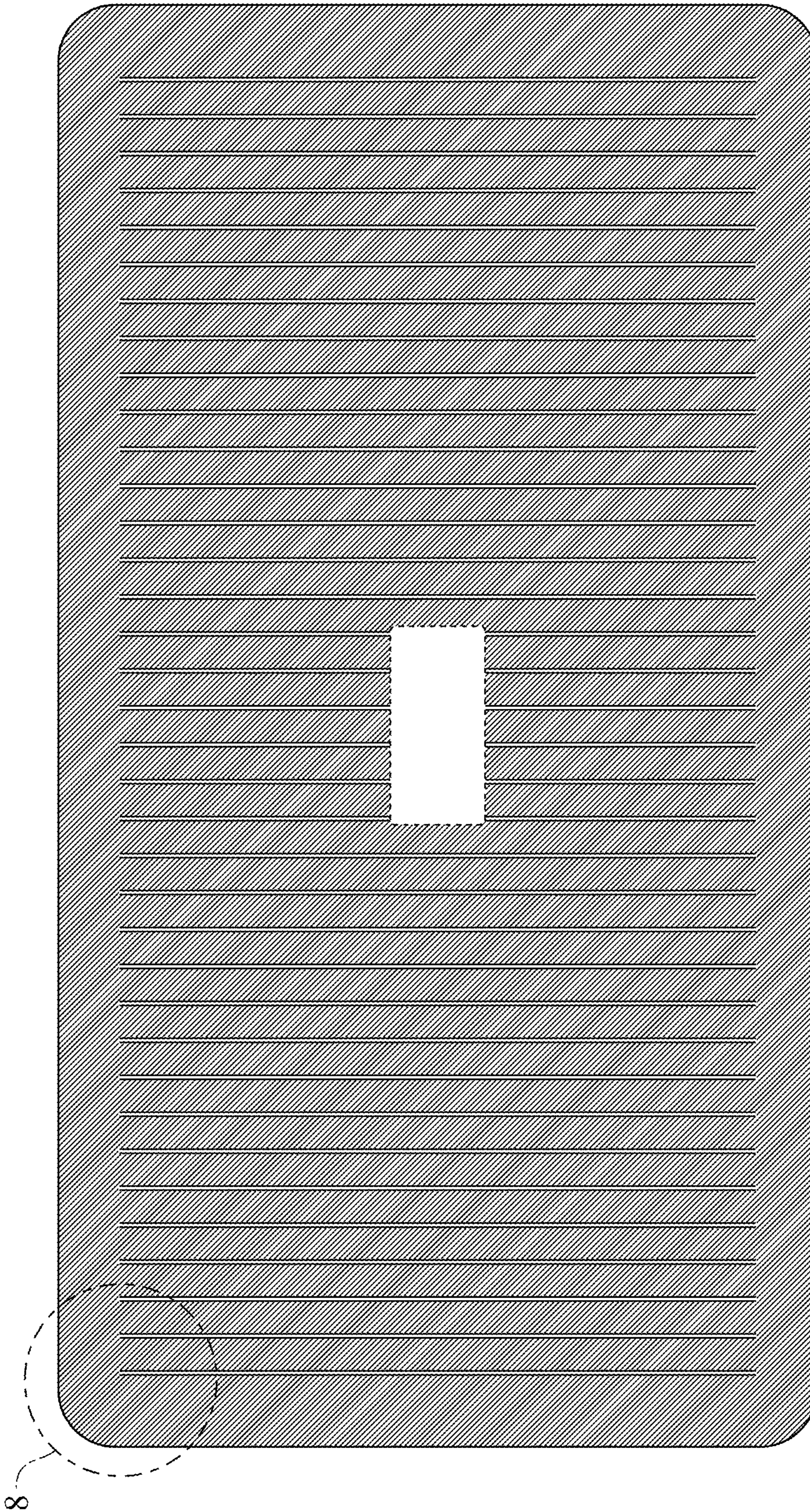


FIG. 6

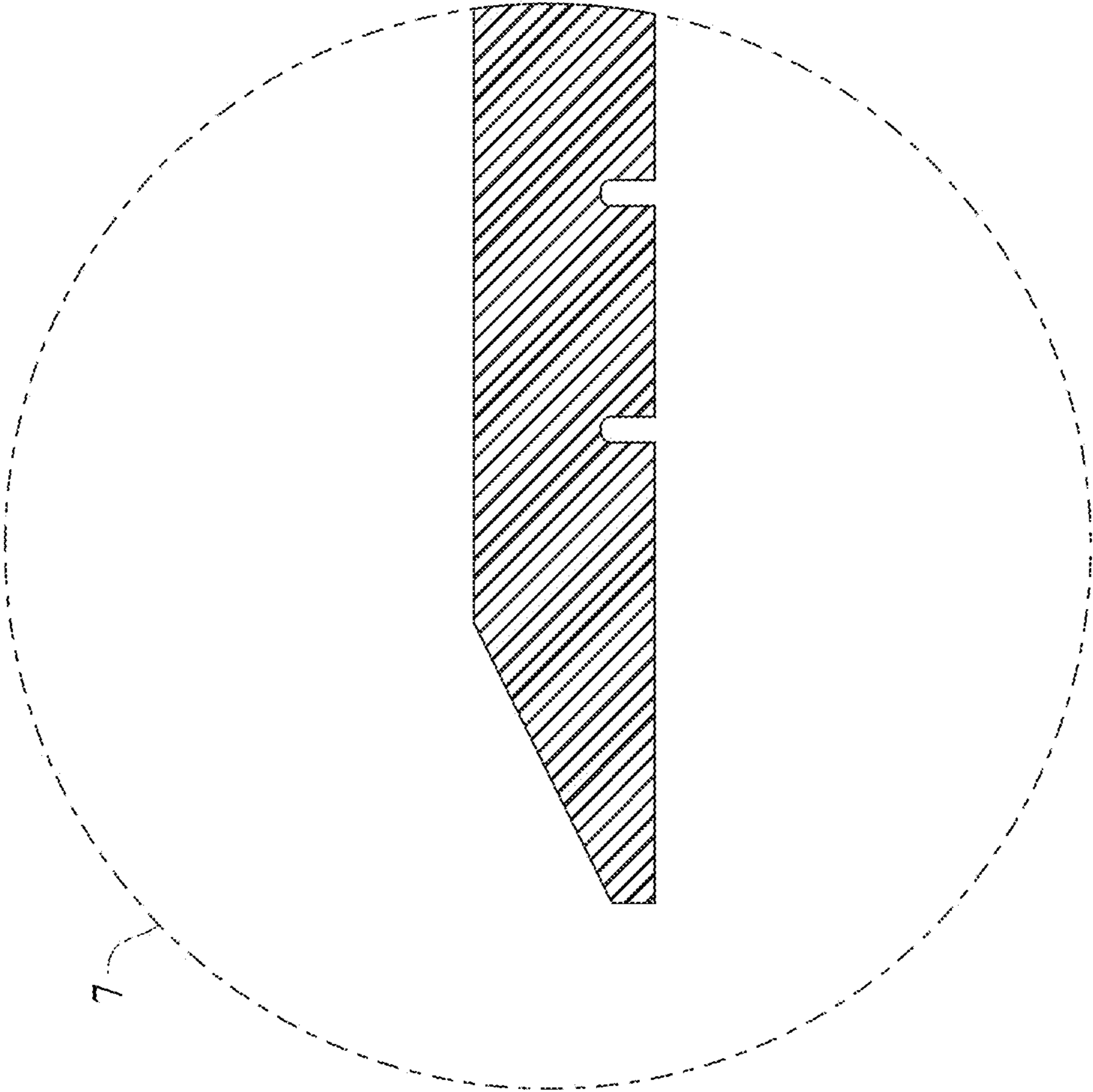


FIG. 7

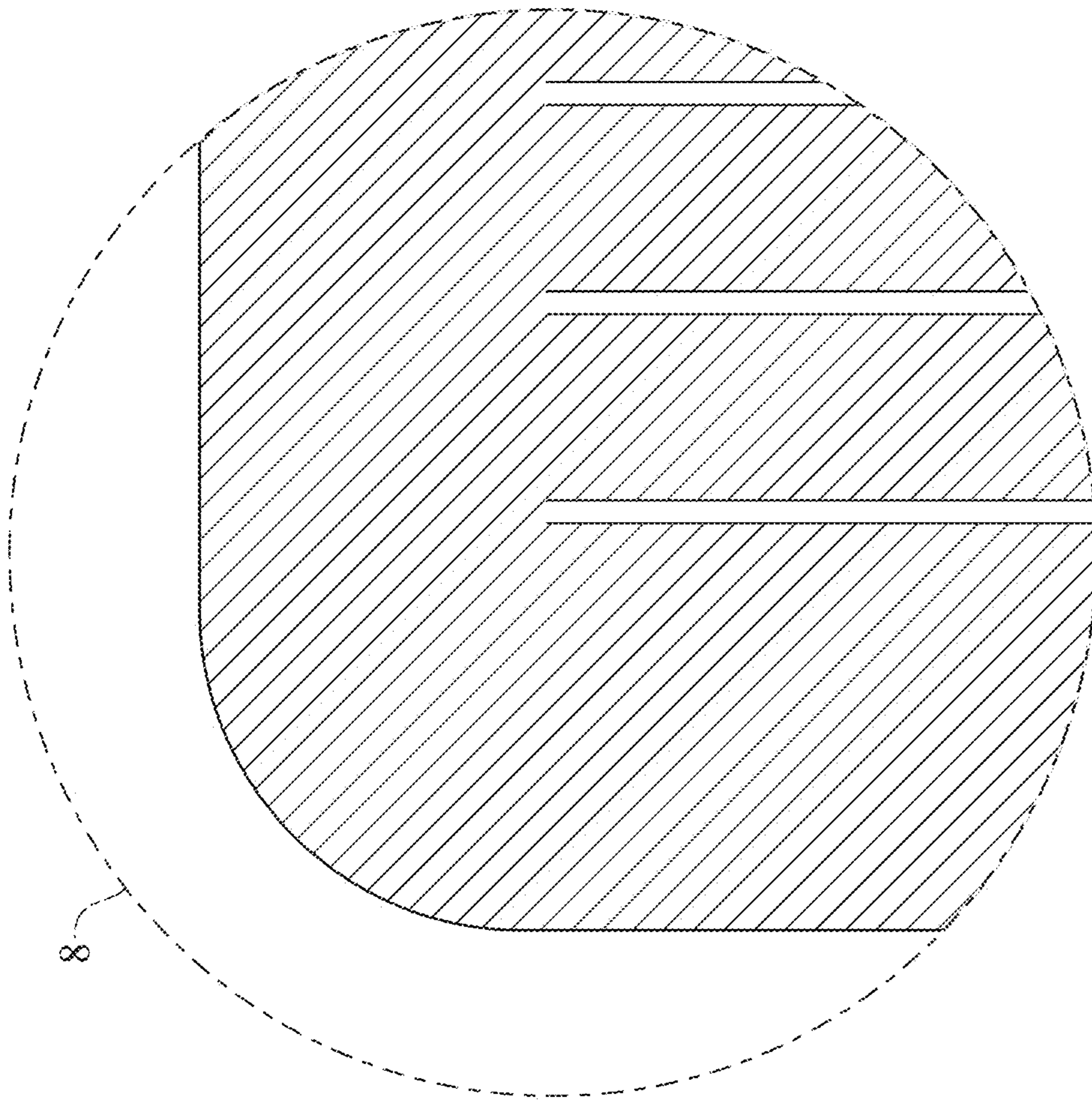


FIG. 8