



US00D907939S

(12) **United States Design Patent**  
**Dunahay**

(10) **Patent No.:** **US D907,939 S**  
(45) **Date of Patent:** **\*\* Jan. 19, 2021**

- (54) **SHELF**
- (71) Applicant: **Coulter Ventures LLC**
- (72) Inventor: **Nash Dunahay**, Gahanna, OH (US)
- (73) Assignee: **Coulter Ventures, LLC.**, Columbus, OH (US)
- (\*\*) Term: **15 Years**
- (21) Appl. No.: **29/640,453**
- (22) Filed: **Mar. 14, 2018**
- (51) **LOC (13) Cl.** ..... **06-04**
- (52) **U.S. Cl.**  
USPC ..... **D6/552**
- (58) **Field of Classification Search**  
USPC ..... D6/574, 320-324, 552, 681.1, 672, 675, D6/675.2, 678.1, 678.4, 680.2, 681, D6/681.3, 682.5, 682.6; D7/698; D2/672; D26/72; 108/28-29, 152; 211/13.1, 42, 86.01, 88.01, 90.01, 90.03, 211/126.1, 134, 153; 248/205.3, 235, 248/243, 247, 250; D8/380-381  
CPC ..... A47B 43/00; A47B 43/04; A47B 47/0066; A47B 47/04; A47B 63/00; A47B 69/00; A47B 71/00; A47B 61/00; A47B 57/402; A47G 25/746; A47G 25/0664; A47F 7/24; A47F 5/13  
See application file for complete search history.

- 4,765,493 A 8/1988 Kinney
- 5,097,969 A 3/1992 Maxworthy
- D330,090 S 10/1992 Walter et al.
- 5,253,837 A 10/1993 Loux
- D345,480 S 3/1994 Sandegren
- 5,626,084 A 5/1997 Kelly et al.
- (Continued)

**OTHER PUBLICATIONS**

Product listing for Rogue Monster Mass Storage from <https://web.archive.org/web/20170703212533/http://www.roguefitness.com:80/monster-mass-storage>, dated Jul. 3, 2017.

(Continued)

*Primary Examiner* — Wan Laymon  
*Assistant Examiner* — Mark Booker  
(74) *Attorney, Agent, or Firm* — Banner & Witcoff, Ltd.

(57) **CLAIM**

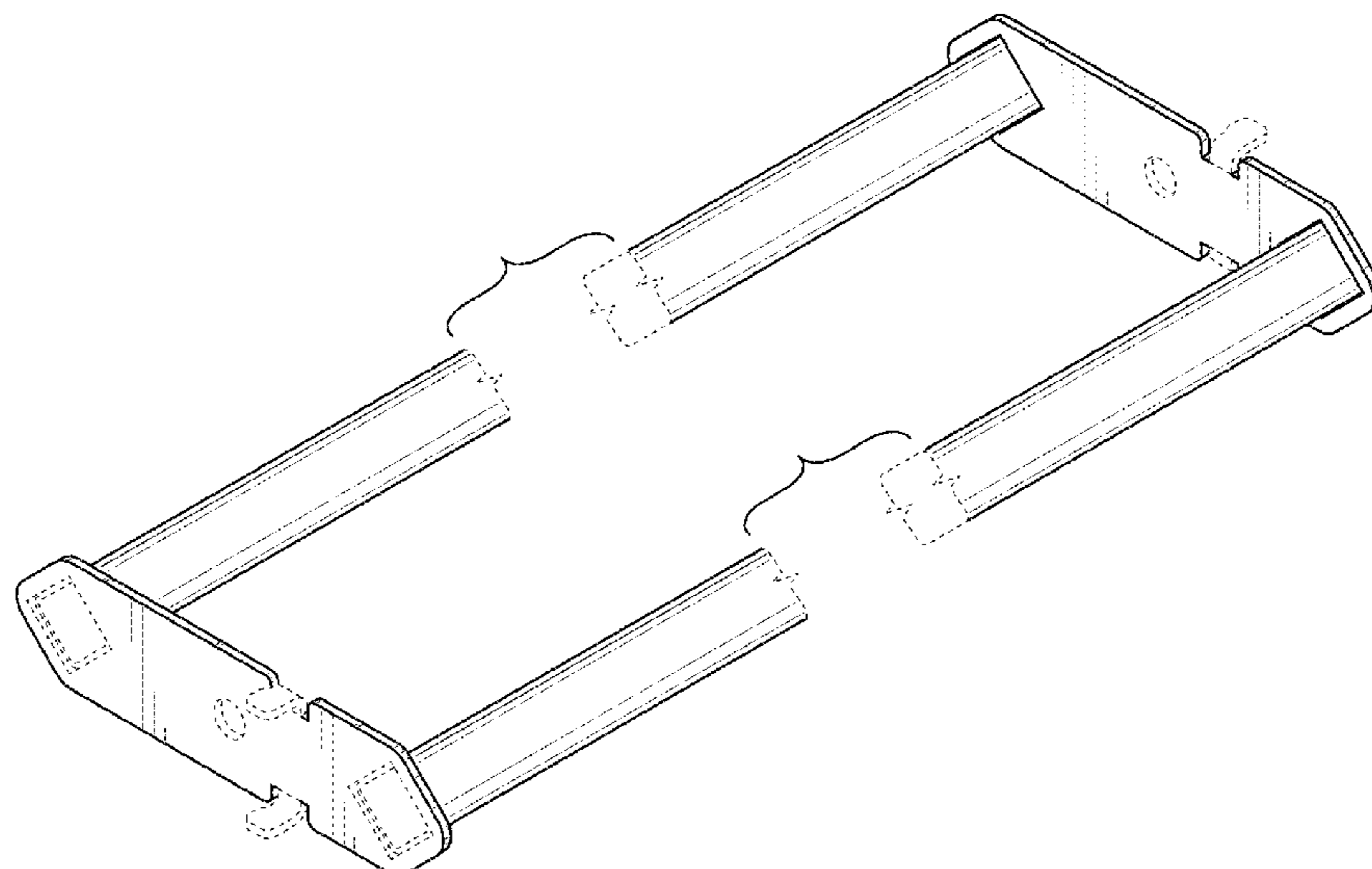
The ornamental design for a shelf, as shown and described.

**DESCRIPTION**

FIG. 1 is a top, front, left perspective view of a shelf showing my new design;  
FIG. 2 is a front view thereof;  
FIG. 3 is a rear view thereof;  
FIG. 4 is a right side view thereof;  
FIG. 5 is a left side view thereof;  
FIG. 6 is a top view thereof;  
FIG. 7 is a bottom view thereof; and,  
FIG. 8 is a bottom, front, left perspective view thereof.  
The broken lines immediately adjacent to the shaded area define the bounds of the claimed design and form no part thereof. The broken lines depicting the remainder of the shelf show features that form no part of the claimed design. The broken away symbols in the drawings indicate that any portion of the article beyond what is shown forms no part of the claimed design .

**1 Claim, 5 Drawing Sheets**

- (56) **References Cited**  
**U.S. PATENT DOCUMENTS**
- 1,438,729 A 12/1922 Vance
- 3,085,693 A 4/1963 Shell
- 3,184,068 A 5/1965 Wende
- 3,313,424 A 4/1967 Gingher
- 3,348,698 A 10/1967 McConnell
- 3,556,306 A 1/1971 Shell
- 3,557,966 A 1/1971 Skubic
- 3,921,539 A 11/1975 Berger



(56)

References Cited

U.S. PATENT DOCUMENTS

D385,140 S 10/1997 Whitehead et al.  
 5,690,415 A 11/1997 Krehl  
 6,014,078 A 1/2000 Rojas et al.  
 6,123,033 A 9/2000 Polley et al.  
 6,209,731 B1 4/2001 Spamer et al.  
 D490,697 S 6/2004 Runnalls  
 D521,286 S 5/2006 Colmenares  
 D563,135 S \* 3/2008 Lien ..... D6/552  
 D565,673 S \* 4/2008 Lien ..... D21/686  
 D575,722 S 8/2008 Beauchamp et al.  
 D577,234 S 9/2008 Webber et al.  
 7,494,019 B2 2/2009 Kessell et al.  
 D599,580 S 9/2009 Whittier et al.  
 D628,299 S 11/2010 Held  
 D652,932 S 1/2012 Petteway  
 8,424,466 B2 4/2013 Botkin  
 D695,555 S 12/2013 Wind  
 D702,541 S 4/2014 Mansor  
 8,720,704 B2 5/2014 Gupta  
 D707,067 S 6/2014 Basarich et al.  
 D709,107 S 7/2014 Kim et al.  
 D709,533 S 7/2014 Park et al.  
 D714,131 S 9/2014 Mansor  
 8,900,074 B1 12/2014 Johnson et al.  
 D722,622 S 2/2015 Kim et al.  
 D724,119 S 3/2015 Kim et al.  
 D724,631 S 3/2015 Kim et al.  
 D743,454 S 11/2015 Yeo et al.  
 D776,956 S \* 1/2017 Ma ..... D6/552  
 9,541,245 B2 1/2017 Floersch et al.  
 D789,718 S 6/2017 Gokhale et al.  
 9,775,447 B2 10/2017 Wiemer et al.  
 D801,734 S 11/2017 Turner et al.  
 D834,736 S 11/2018 Liu  
 10,130,196 B2 11/2018 Burns  
 D845,045 S 4/2019 Dunahay  
 D847,535 S 5/2019 Goodman et al.  
 D862,136 S \* 10/2019 Dunahay ..... D6/675  
 2005/0161416 A1 7/2005 Anderson  
 2005/0233872 A1 10/2005 Harms  
 2007/0049472 A1 3/2007 Hummer

2007/0099773 A1 5/2007 Hummer  
 2007/0227989 A1 10/2007 Schneider et al.  
 2008/0156752 A1 7/2008 Bryson et al.  
 2008/0203040 A1 8/2008 Kologe  
 2008/0302748 A1 12/2008 Tsai  
 2009/0211996 A1 8/2009 Webber et al.  
 2012/0085721 A1 4/2012 Michael et al.  
 2017/0149269 A1 5/2017 Rojas et al.  
 2017/0266503 A1 9/2017 Watterson et al.  
 2018/0290042 A1 10/2018 Vester  
 2019/0175979 A1 6/2019 Towley, III

OTHER PUBLICATIONS

Product listing for 2-Tier Mass Storage System—43" from <https://web.archive.org/web/20170710064814/http://www.roguefitness.com:80/2-tier-mass-storage-system-43>, dated Jul. 10, 2017.  
 Product listing for 3-Tier Mass Storage System—43" from <https://web.archive.org/web/20170621060447/http://www.roguefitness.com/3-tier-mass-storage-system-43>, dated Jun. 21, 2017.  
 Product listing for 2-Tier Mass Storage System—70" from <https://web.archive.org/web/20170718163236/http://www.roguefitness.com:80/2-tier-mass-storage-system-70>, dated Jul. 18, 2017.  
 Product listing for 3-Tier Mass Storage System—70" from <https://web.archive.org/web/20170621022248/http://www.roguefitness.com/3-tier-mass-storage-system-70>, dated Jun. 21, 2017.  
 Product listing for Rogue Universal Storage System 2.0 from <https://web.archive.org/web/20170701060527/http://www.roguefitness.com:80/rogue-universal-storage-system-2-0>, dated Jul. 1, 2017.  
 Photos of Rogue Universal Storage System 2.0 from <https://web.archive.org/web/20170701060527/http://www.roguefitness.com:80/rogue-universal-storage-system-2-0>, dated Jul. 1, 2017.  
 Product listing for Rogue Mass Storage Add-Ons from <https://web.archive.org/web/20170620230340/http://www.roguefitness.com/rogue-mass-storage-add-ons>, dated Jun. 20, 2017.  
 Product listing for Rogue 3 Tier Dumbbell Rack from <https://web.archive.org/web/20170719122936/http://www.roguefitness.com:80/rogue-3-tier-dumbbell-rack>, dated Jul. 19, 2017.

\* cited by examiner

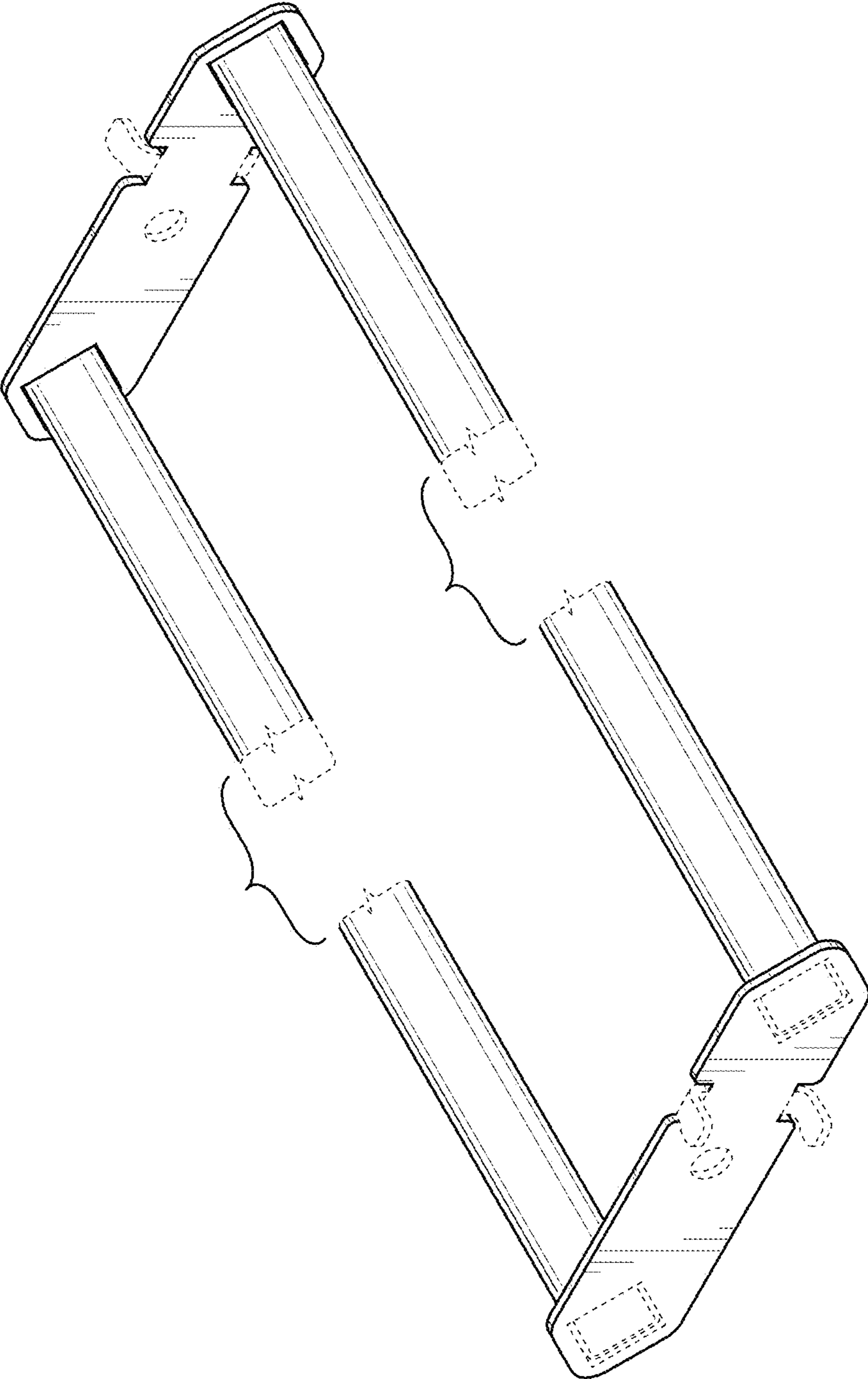


FIG. 1

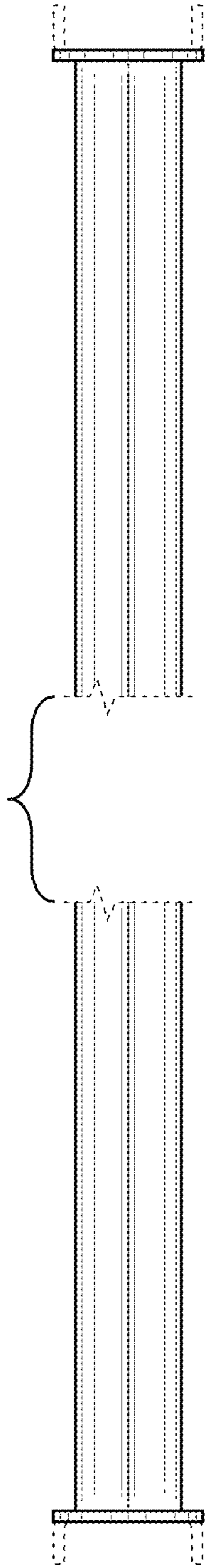


FIG. 2

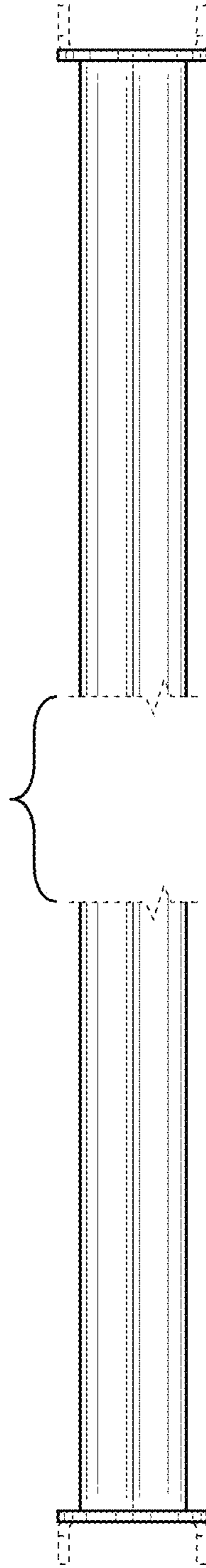


FIG. 3

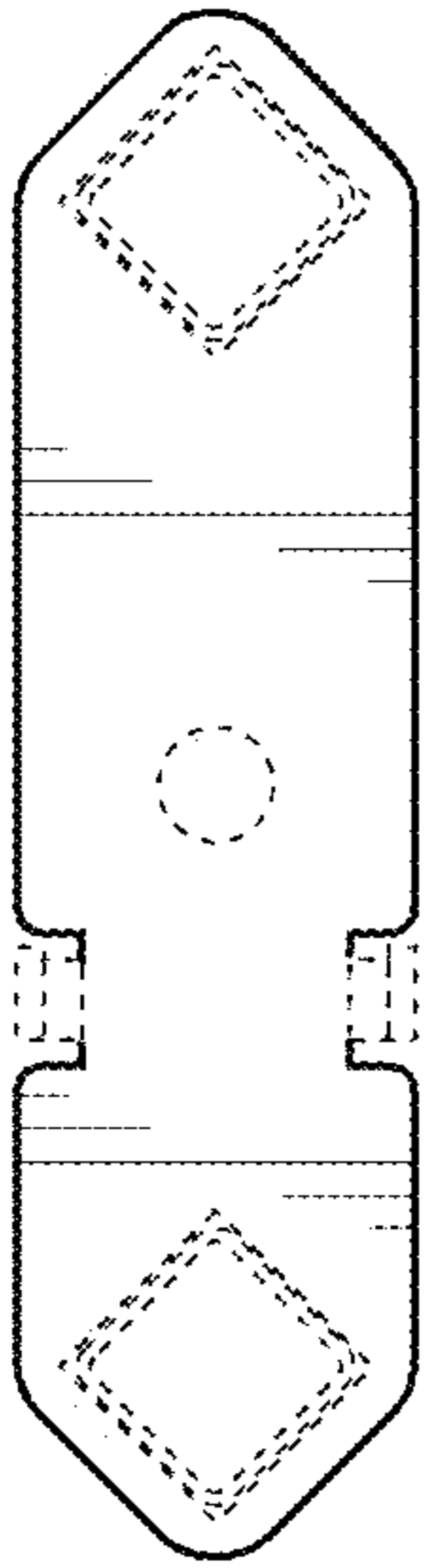


FIG. 4

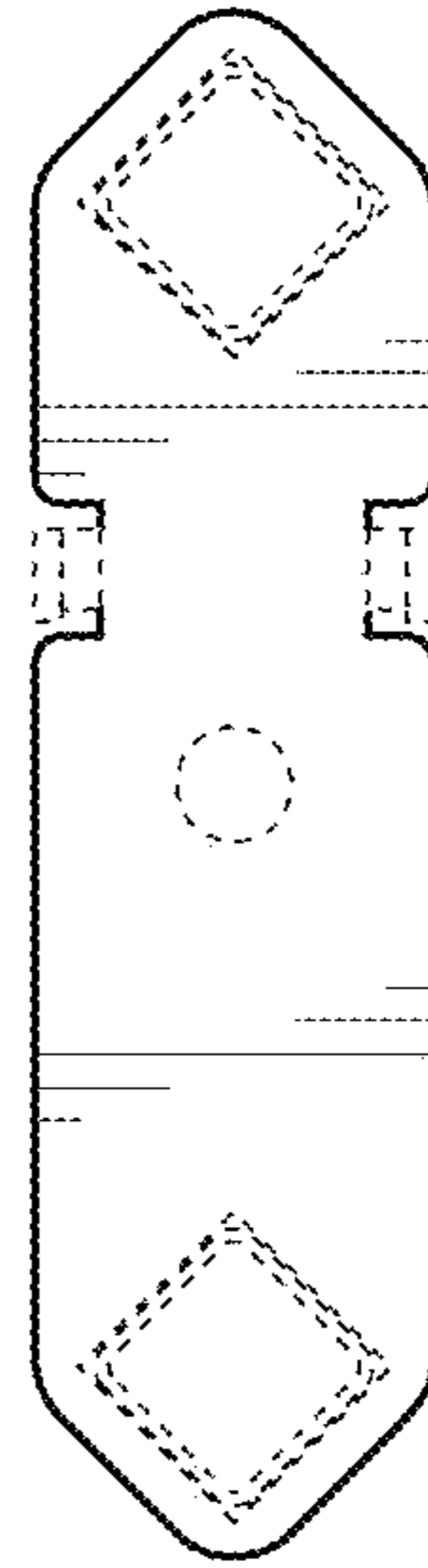


FIG. 5

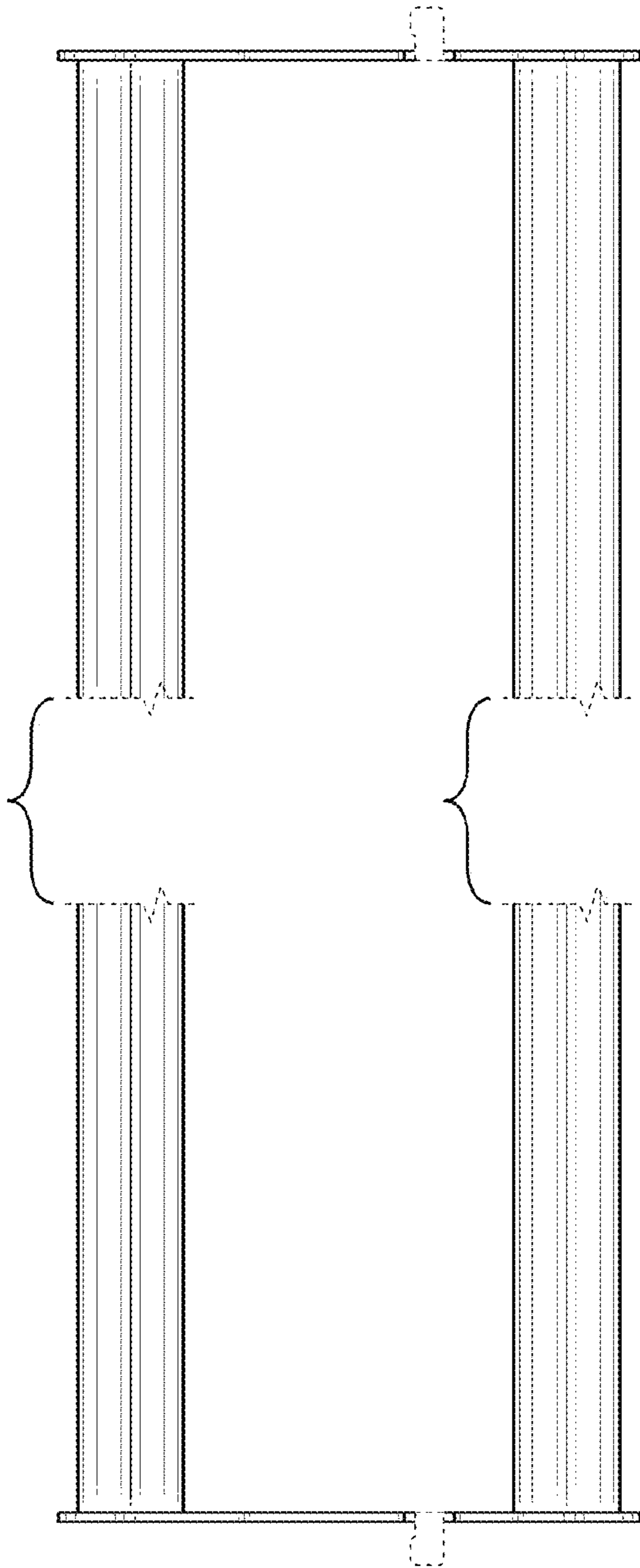


FIG. 6

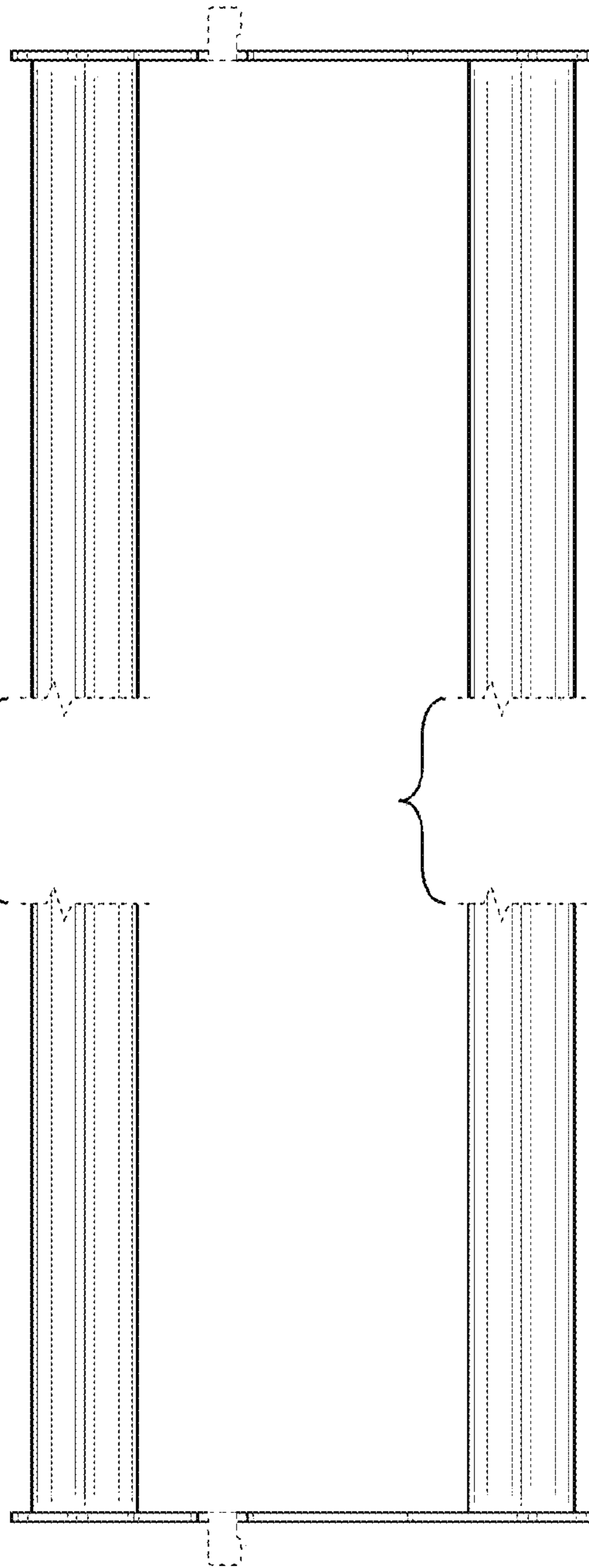


FIG. 7

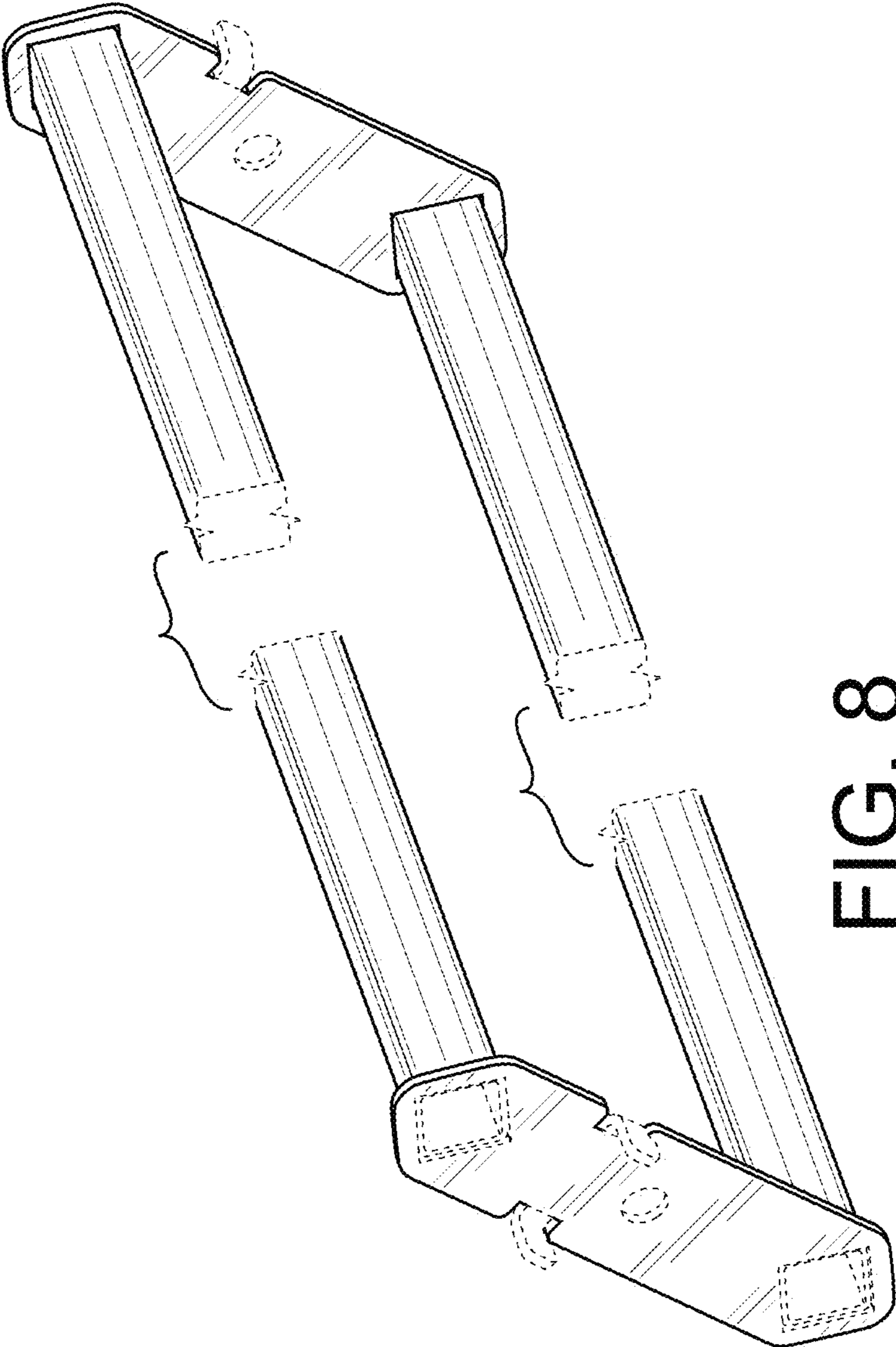


FIG. 8