



US00D907936S

(12) **United States Design Patent**  
**Feng**

(10) **Patent No.:** **US D907,936 S**

(45) **Date of Patent:** **\*\* Jan. 19, 2021**

(54) **CHAIR**

(71) Applicant: **Zhejiang Sharing Space Technology Co., Ltd.**, Hangzhou (CN)

(72) Inventor: **Xiaowei Feng**, Hangzhou (CN)

(73) Assignee: **Zhejiang Sharing Space Technology Co., Ltd.**, Hangzhou (CN)

(\*\*) Term: **15 Years**

(21) Appl. No.: **29/714,308**

(22) Filed: **Nov. 22, 2019**

(51) **LOC (13) Cl.** ..... **06-01**

(52) **U.S. Cl.**  
USPC ..... **D6/366**

(58) **Field of Classification Search**  
USPC ..... D6/334, 364, 365, 366, 369, 375, 379,  
D6/716.1, 716.7  
CPC .... A47C 3/12; A47C 3/18; A47C 3/20; A47C  
5/02; A47C 7/24; A47C 7/36; A47C 7/46  
See application file for complete search history.

(56) **References Cited**

**U.S. PATENT DOCUMENTS**

D541,063 S \* 4/2007 Su ..... D6/366  
D641,576 S \* 7/2011 Giugiaro ..... D6/716.4

D646,092 S \* 10/2011 Romero ..... D6/716  
D691,407 S \* 10/2013 Nakamura ..... D6/716.4  
D750,911 S \* 3/2016 Su ..... D6/366  
D801,719 S \* 11/2017 Meda ..... D6/366  
2008/0309135 A1 \* 12/2008 Machael ..... A47C 1/03272  
297/301.4

\* cited by examiner

*Primary Examiner* — R. Johnson

(74) *Attorney, Agent, or Firm* — Bayramoglu Law Offices LLC

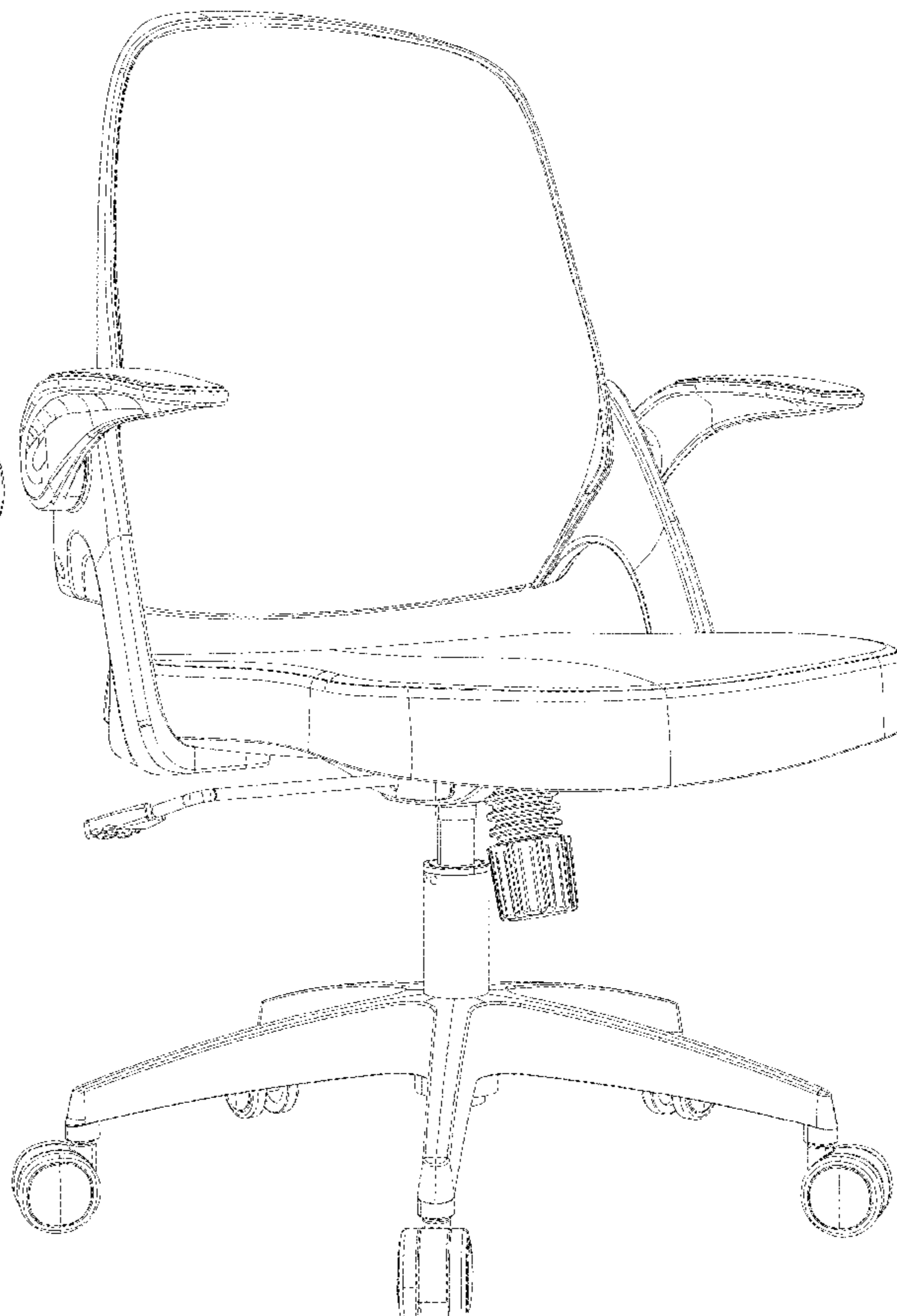
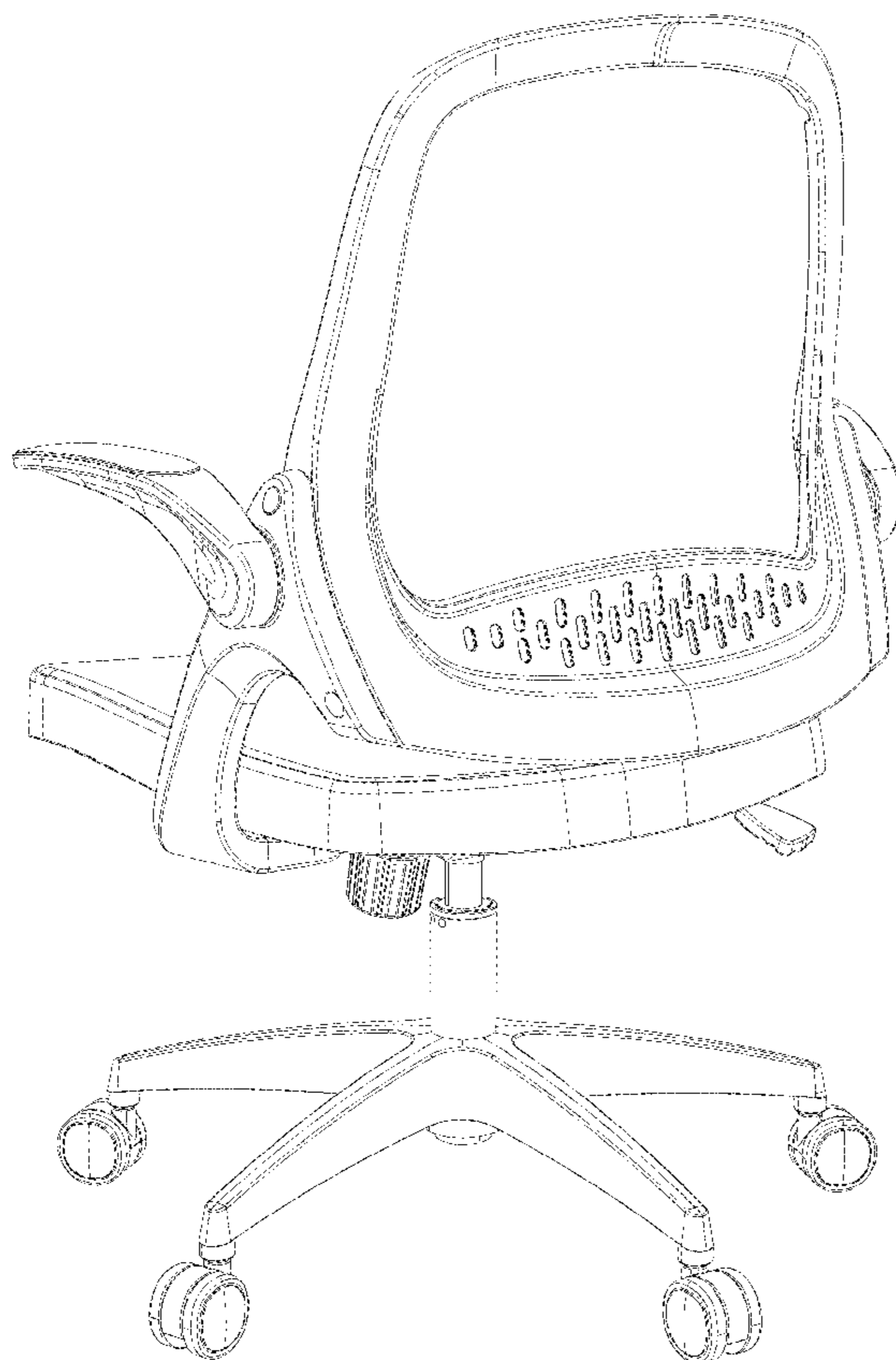
(57) **CLAIM**

The ornamental design for a chair, as shown and described.

**DESCRIPTION**

FIG. 1 is a perspective view of a chair showing the new design;  
FIG. 2 is a rear view thereof.  
FIG. 3 is a front view thereof.  
FIG. 4 is a left side view thereof;  
FIG. 5 is a right side view thereof;  
FIG. 6 is a top view thereof; and,  
FIG. 7 is another perspective view thereof.

**1 Claim, 7 Drawing Sheets**



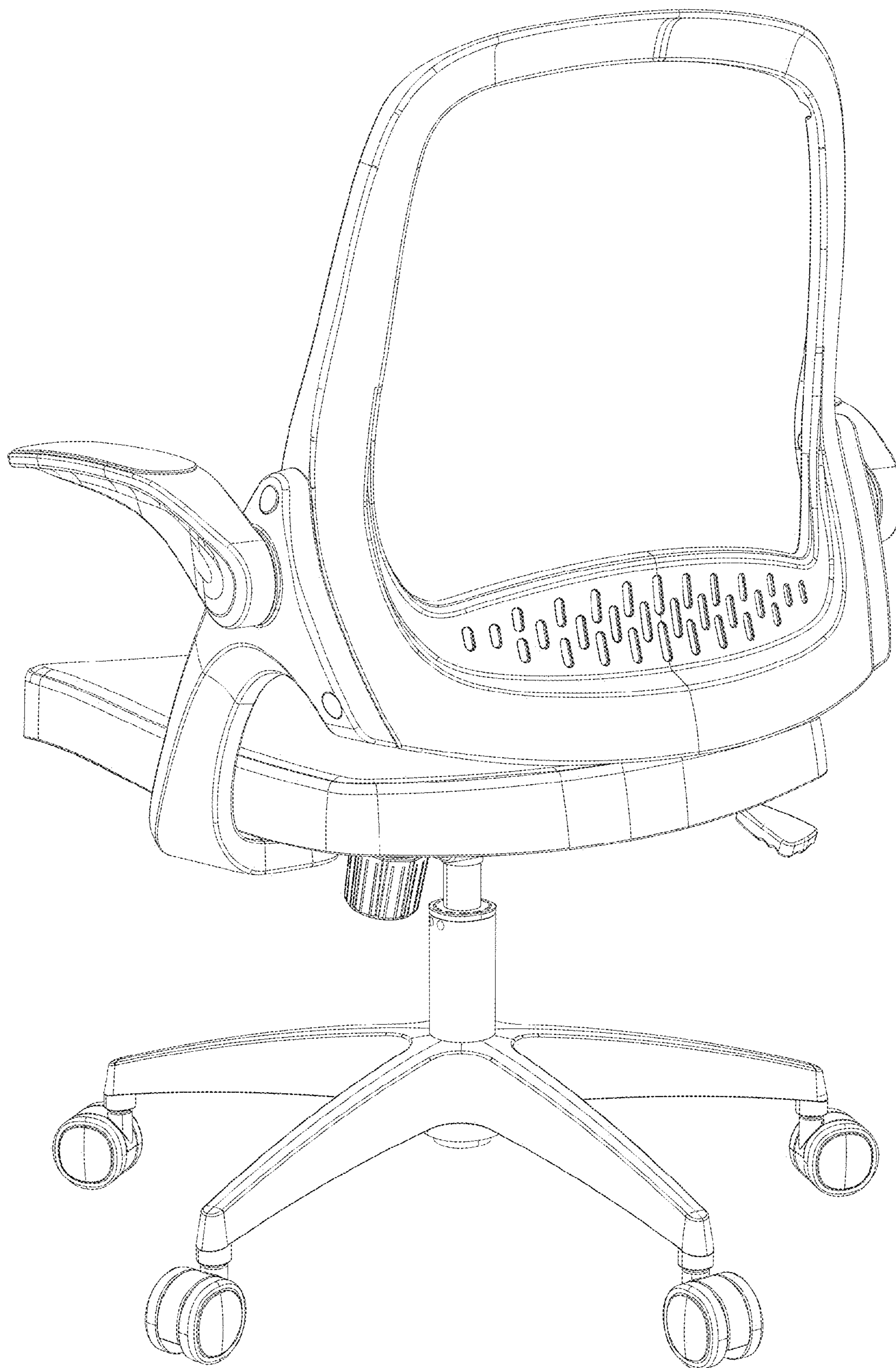


Fig. 1

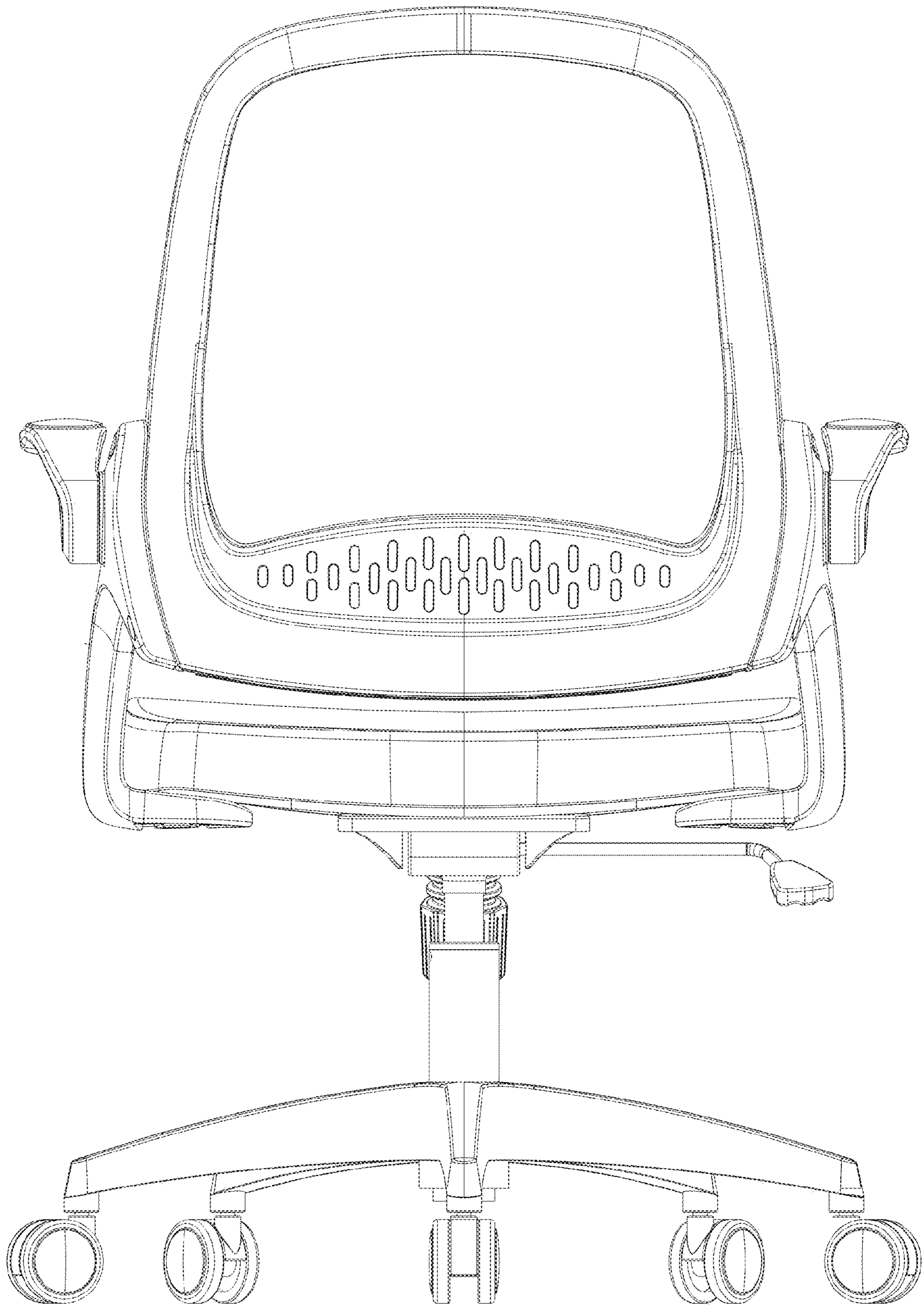


Fig.2

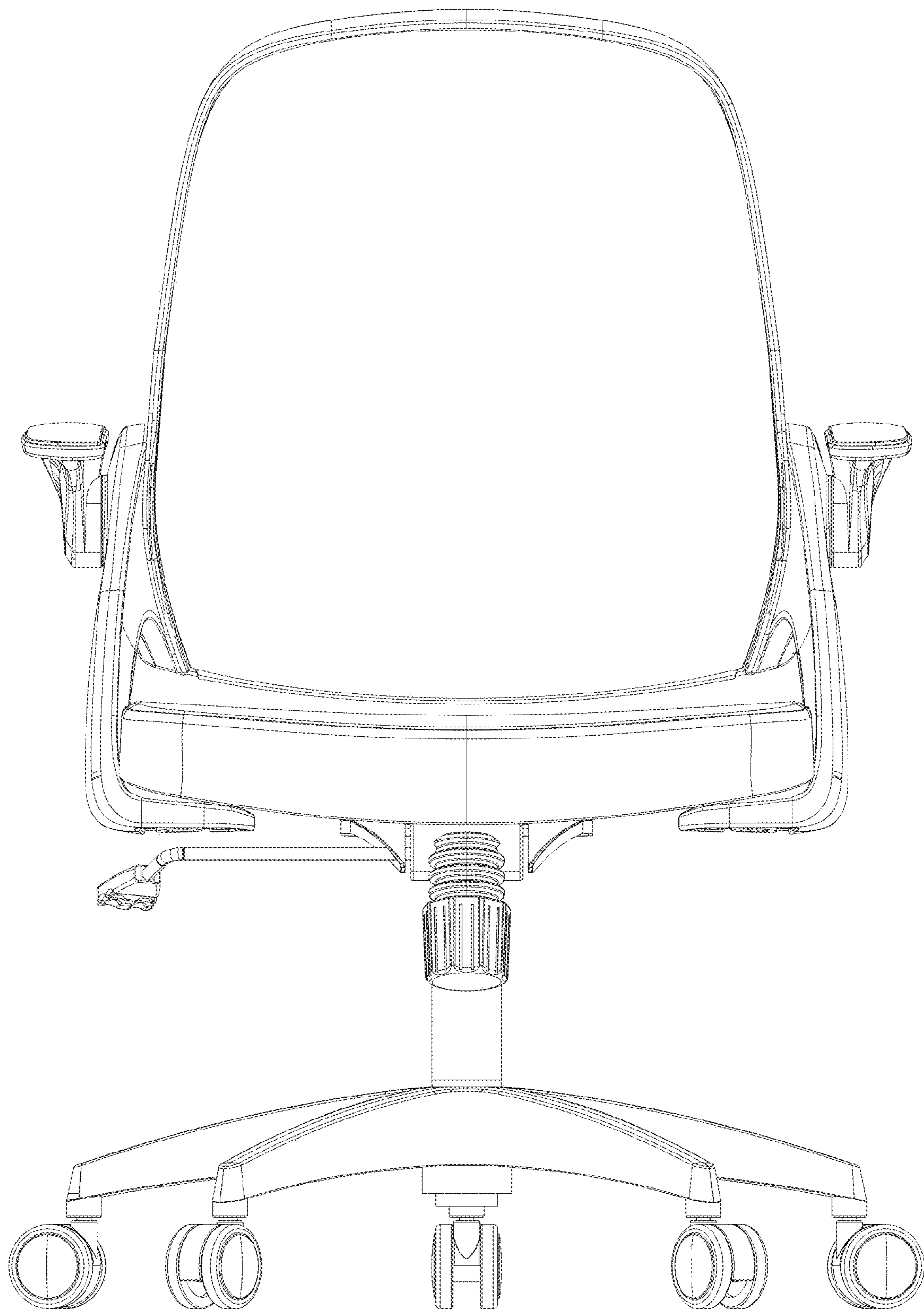


Fig. 3

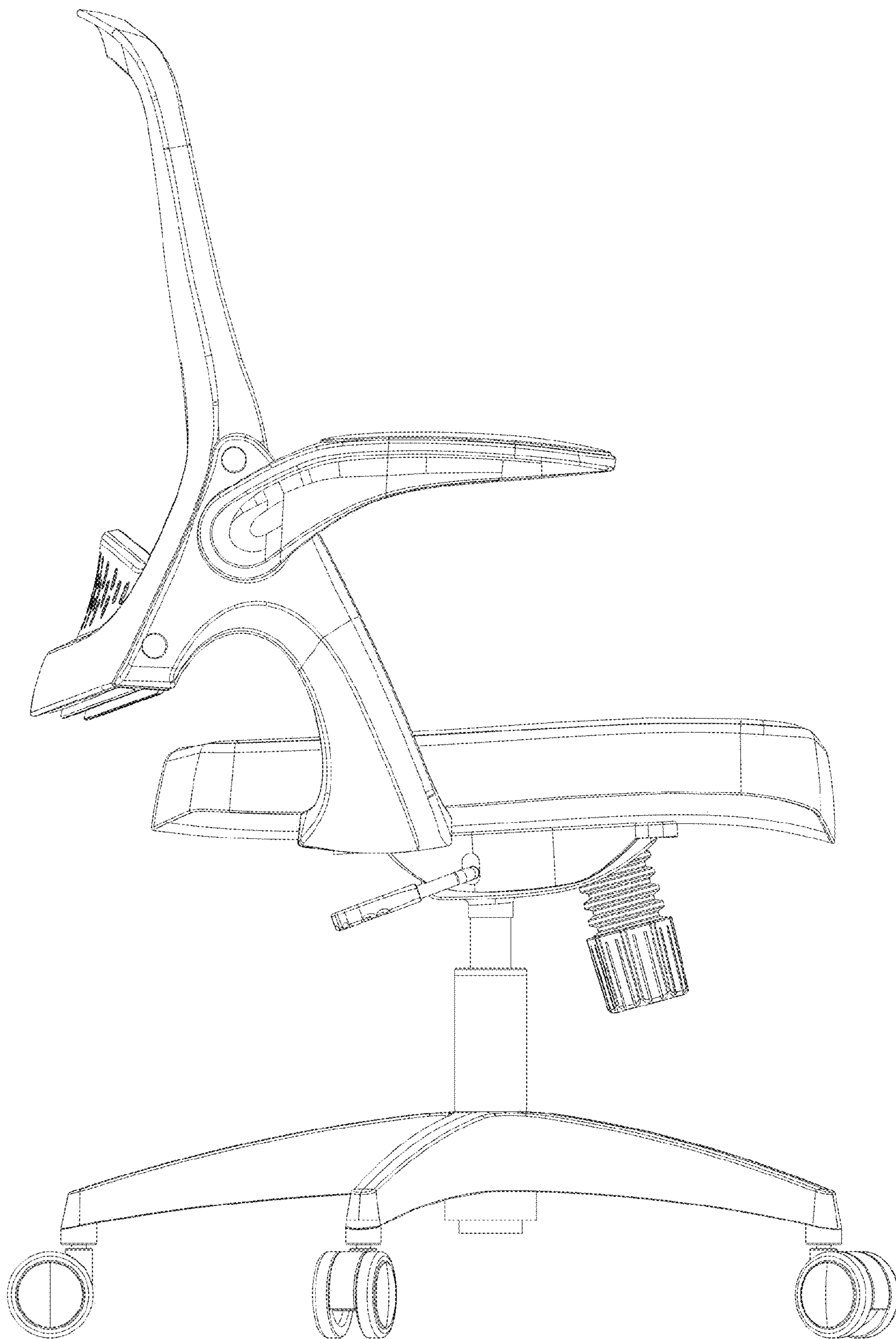


Fig. 4

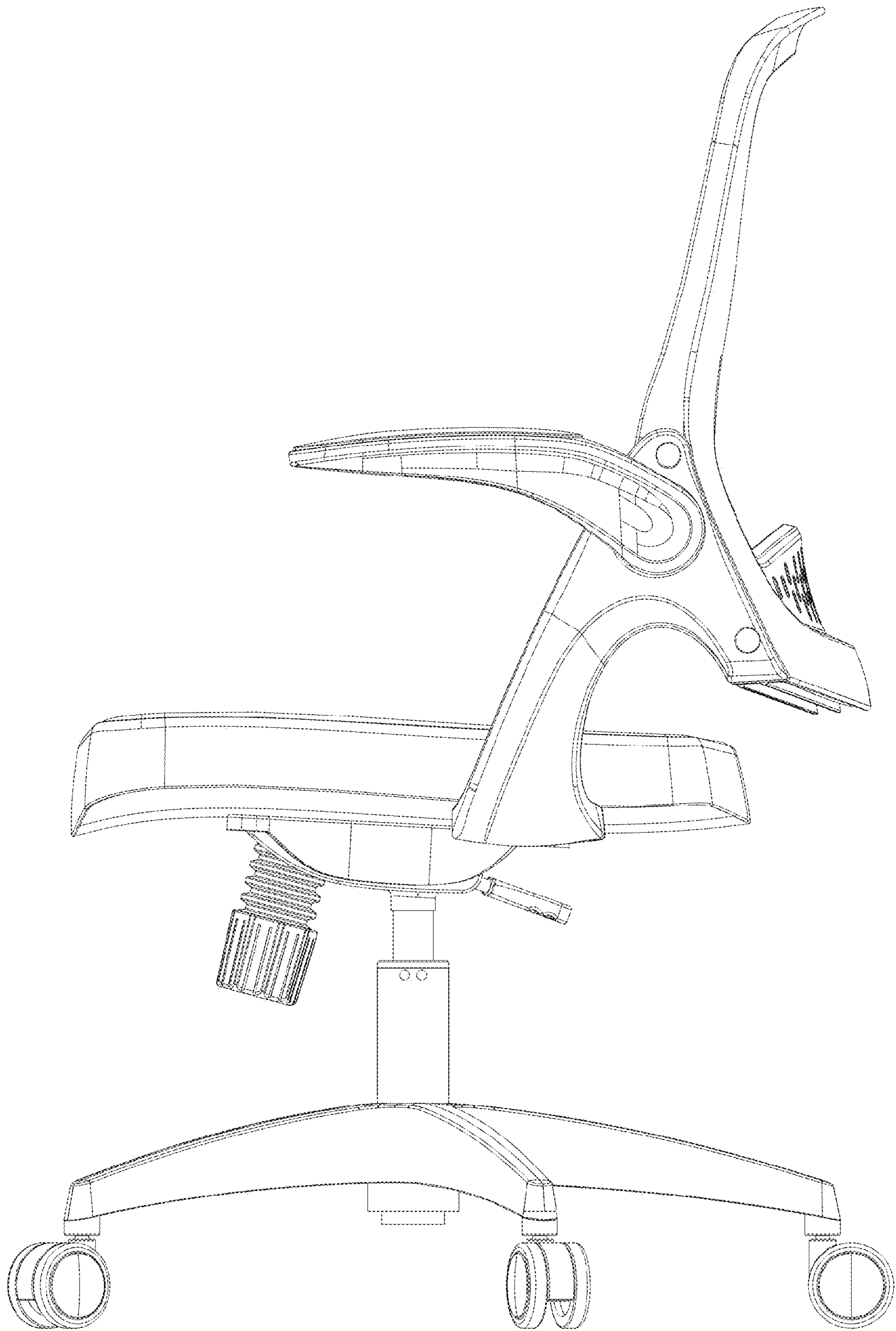


Fig. 5

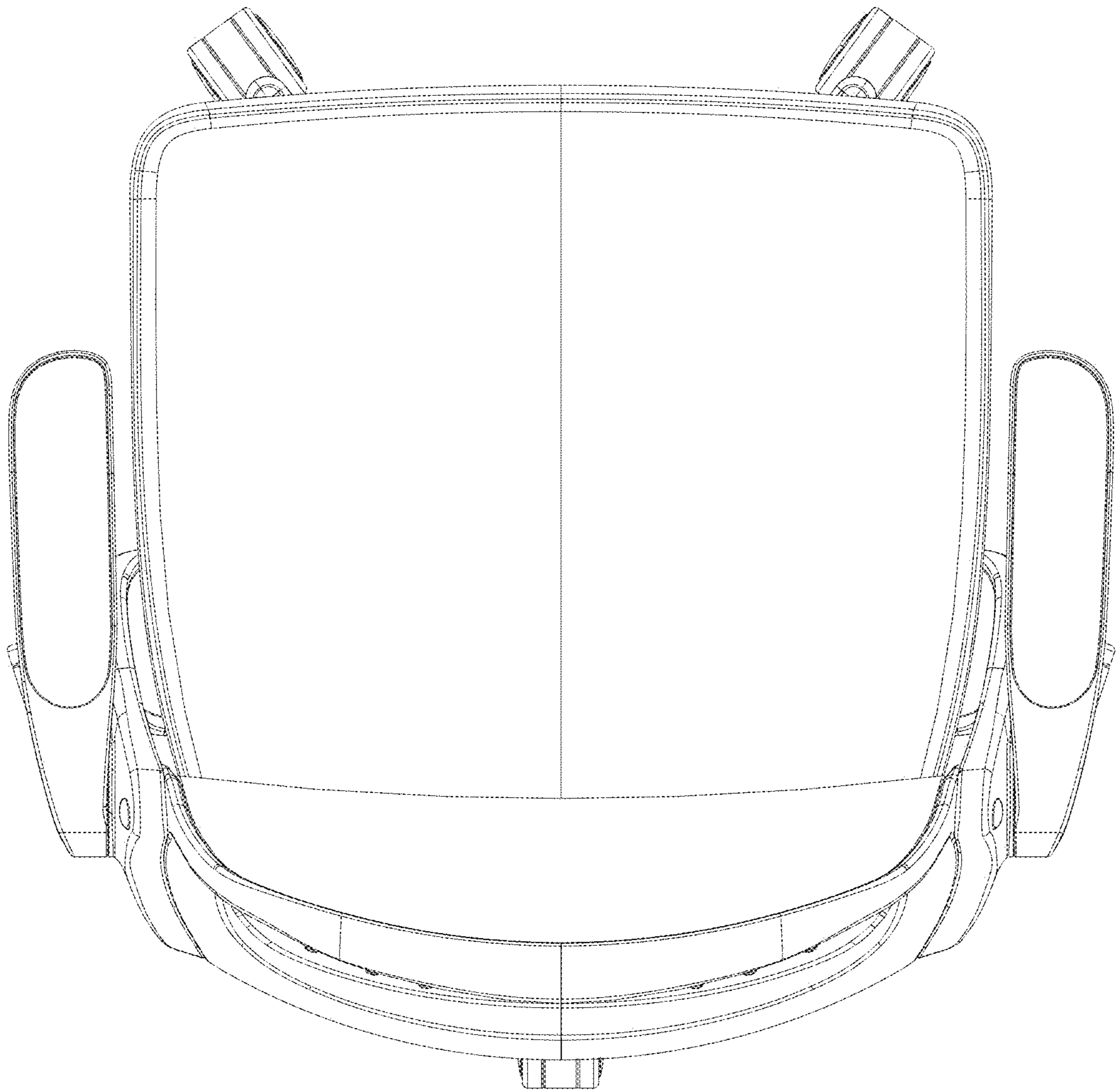


Fig. 6



Fig. 7