



US00D907927S

(12) **United States Design Patent**
Shalev et al.

(10) **Patent No.:** **US D907,927 S**
(45) **Date of Patent:** **** Jan. 19, 2021**

- (54) **DUAL-SIDED TOOTHBRUSH**
- (71) Applicants: **Maya Shalev**, Los Angeles, CA (US);
Alma Elli Shalev, Los Angeles, CA (US)
- (72) Inventors: **Maya Shalev**, Los Angeles, CA (US);
Alma Elli Shalev, Los Angeles, CA (US)
- (73) Assignee: **Elli&Nooli, LLC**, Los Angeles, CA (US)
- (**) Term: **15 Years**
- (21) Appl. No.: **29/674,781**
- (22) Filed: **Dec. 26, 2018**
- (51) **LOC (13) Cl.** **04-02**
- (52) **U.S. Cl.**
USPC **D4/106**
- (58) **Field of Classification Search**
USPC D4/101, 104, 105, 106, 107, 108, 109,
D4/110, 111, 112, 113, 138, 199;
15/110; D28/76, 88, 89
CPC A46B 3/00; A46B 9/02; A46B 9/04; A46B
2200/1066; A46B 2200/1073; A46B
2200/1086; A46B 17/00; A46B 15/0048
See application file for complete search history.

- 1,811,660 A * 6/1931 Bausher G09F 3/06
40/314
 - D92,616 S * 6/1934 Largever D4/107
 - D165,248 S * 11/1951 Sherrod et al. D4/104
 - D301,937 S * 7/1989 Thompson D4/104
 - D311,454 S * 10/1990 Rethman D4/106
 - D315,831 S * 4/1991 Kawano D4/104
 - 5,875,516 A * 3/1999 Blue A46B 11/0093
132/308
 - D453,879 S * 2/2002 Carr D4/107
 - 6,345,405 B1 * 2/2002 Brackin A46B 7/023
15/106
 - D588,363 S * 3/2009 Nanda D4/104
- (Continued)

FOREIGN PATENT DOCUMENTS

- CN 303761240 * 8/2016
 - CN 304259179 * 8/2017
- (Continued)

Primary Examiner — Karen E Eldridge Powers
(74) *Attorney, Agent, or Firm* — K&L Gates LLP

(57) **CLAIM**

The ornamental design for a dual-sided toothbrush, as shown and described herein.

DESCRIPTION

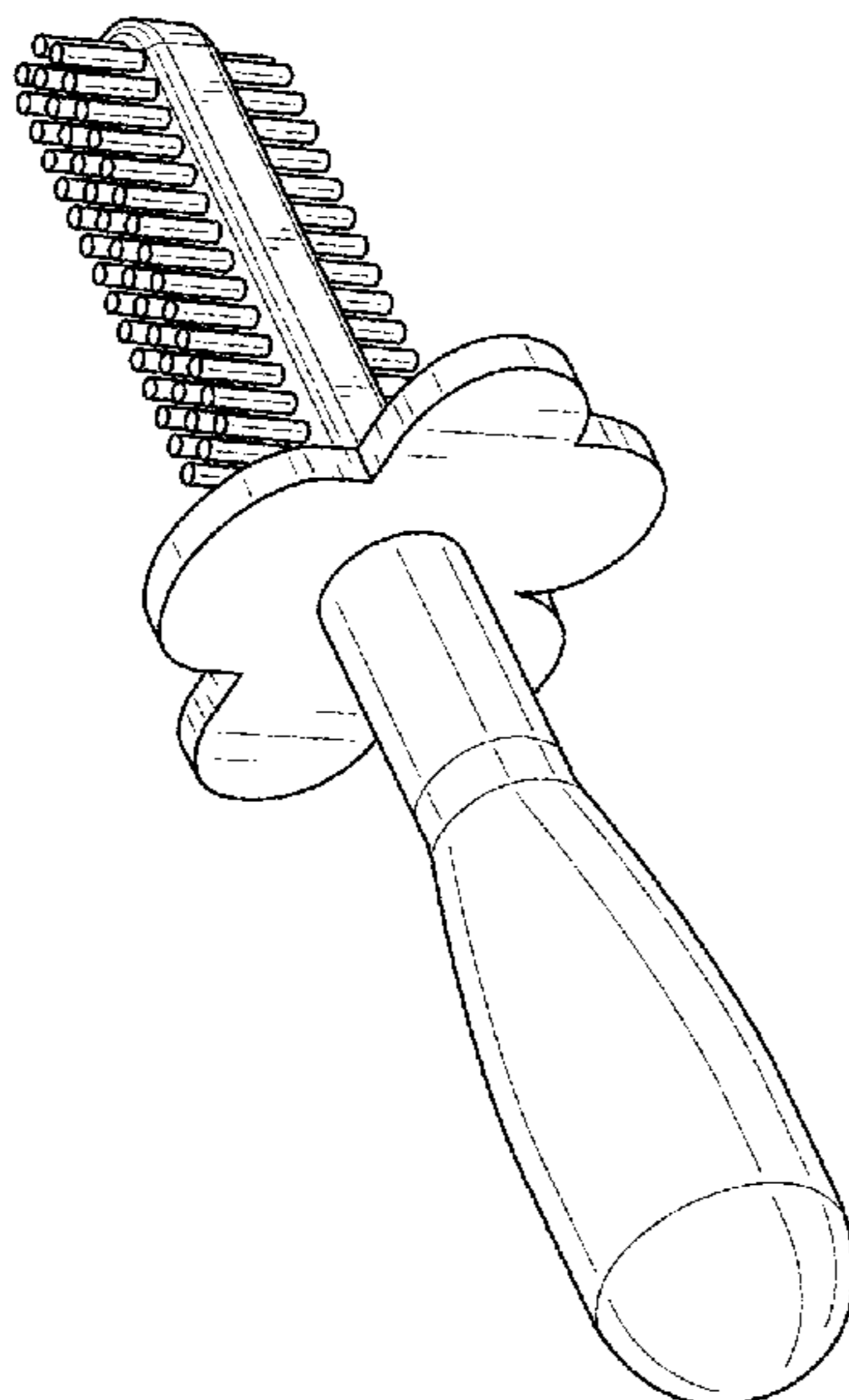
- FIG. 1 illustrates a front perspective view of a dual-sided toothbrush.
- FIG. 2 illustrates a top view of the dual-sided toothbrush.
- FIG. 3 illustrates a bottom view of the dual-sided toothbrush.
- FIG. 4 illustrates a right-side view of the dual-sided toothbrush.
- FIG. 5 illustrates a left-side view of the dual-sided toothbrush.
- FIG. 6 illustrates a front view of the dual-sided toothbrush; and,
- FIG. 7 illustrates a rear view of the dual-sided toothbrush.

1 Claim, 4 Drawing Sheets

(56) **References Cited**

U.S. PATENT DOCUMENTS

- 416,401 A * 12/1889 Cushman A46B 15/0002
15/105
- 611,788 A * 10/1898 Lincoln A46B 11/0006
401/191
- 876,317 A * 1/1908 Booth 40/314
- 878,486 A * 2/1908 Crowell A46B 11/0093
15/248.1
- 1,501,020 A * 7/1924 Small A46B 11/0093
15/248.1



(56)

References Cited

U.S. PATENT DOCUMENTS

D588,364 S * 3/2009 Nanda D4/107
D592,403 S * 5/2009 Nanda D4/104
D628,806 S * 12/2010 van der Lande D4/104
D690,516 S * 10/2013 Erskine-Smith D4/104
D694,524 S * 12/2013 Erskine-Smith D4/104
D734,038 S * 7/2015 Suher D4/106
D752,871 S * 4/2016 Montebelli D4/104
D762,986 S * 8/2016 May D4/104
D799,280 S * 10/2017 Shalev D7/653
D799,910 S * 10/2017 Shalev D7/653
D853,731 S * 7/2019 Zhang D4/104
2010/0266983 A1* 10/2010 Ng A61C 3/14
433/114
2012/0298135 A1* 11/2012 Luttrell A46B 17/02
134/6

FOREIGN PATENT DOCUMENTS

CN 304383121 * 12/2017
CN 304621877 * 5/2018
CN 305127834 * 4/2019

* cited by examiner

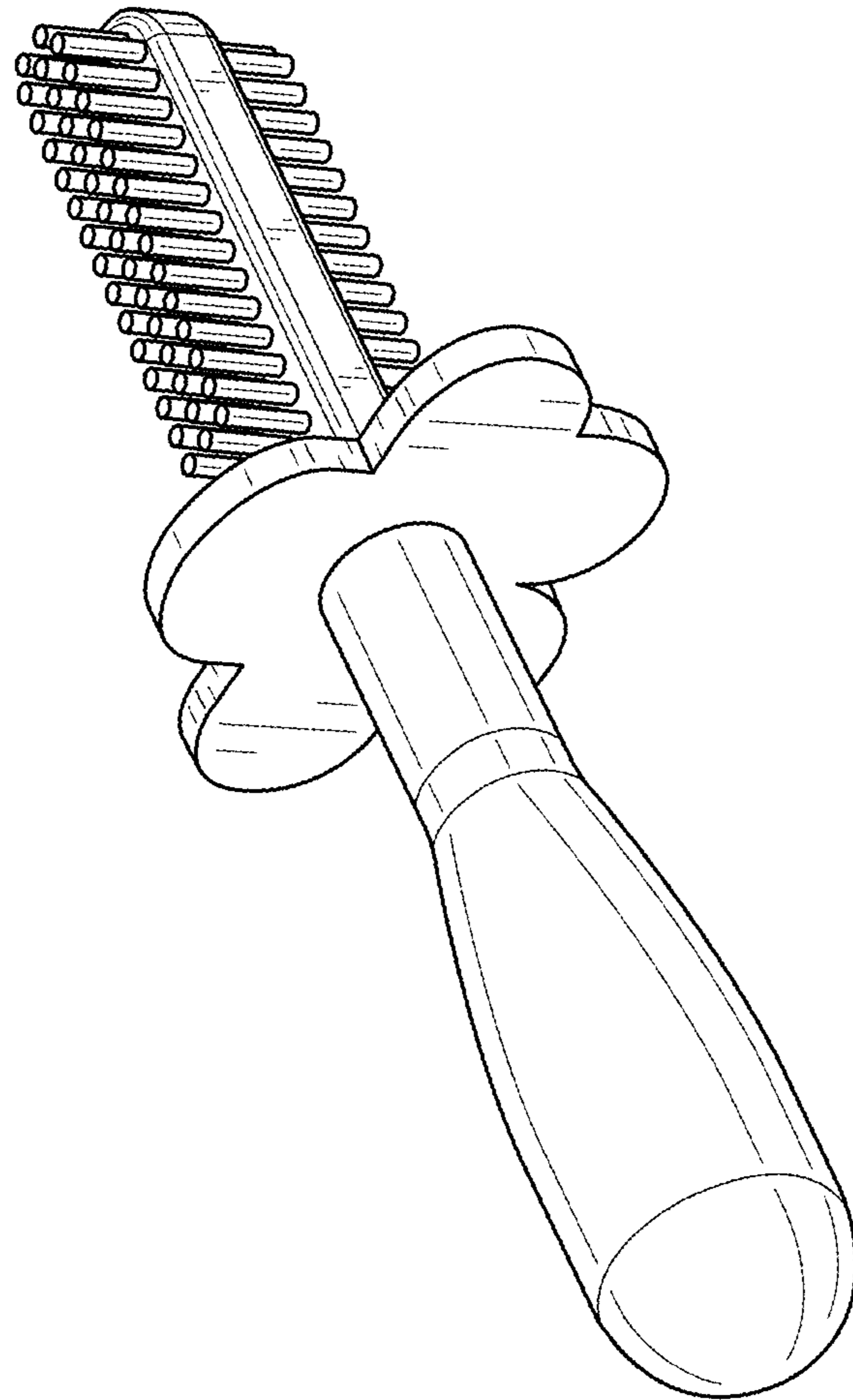


FIG. 1

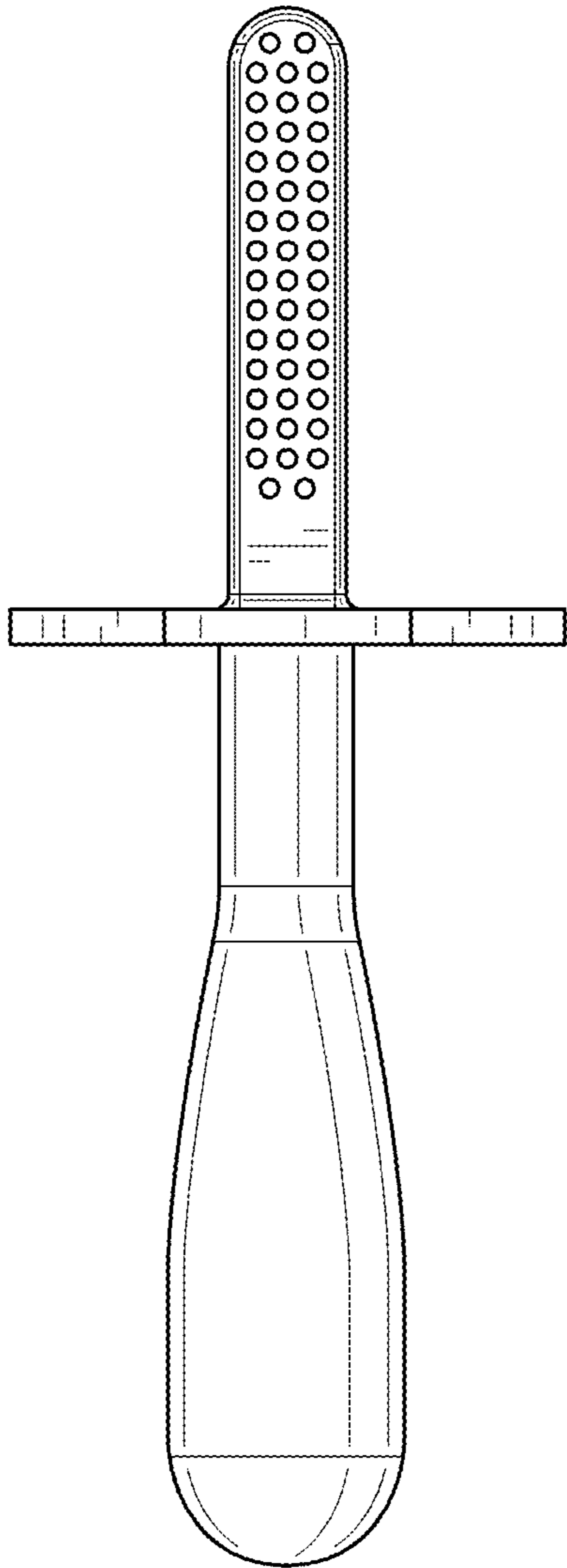


FIG. 2

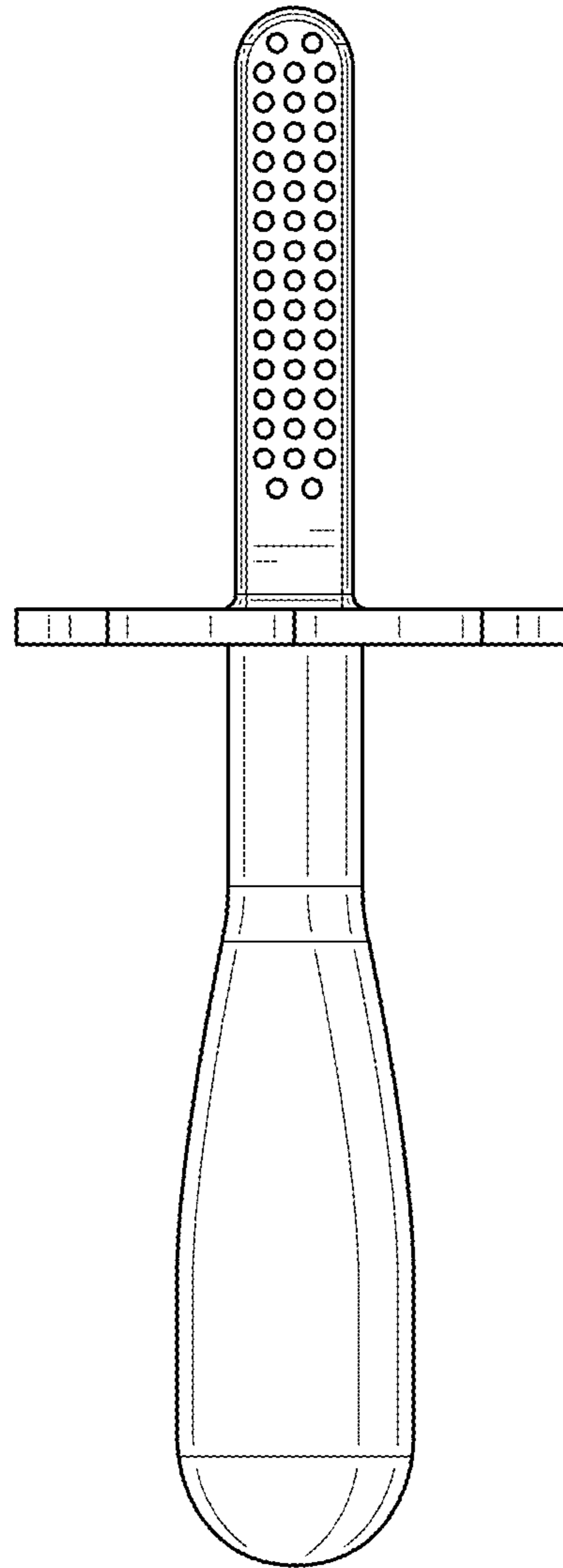


FIG. 3

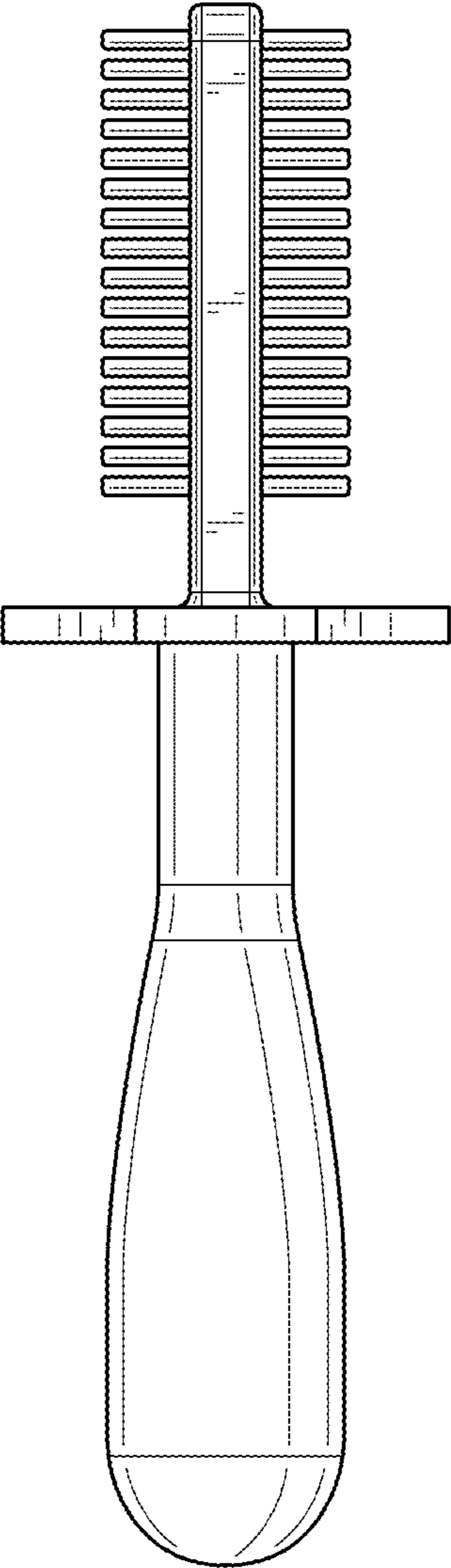


FIG. 4

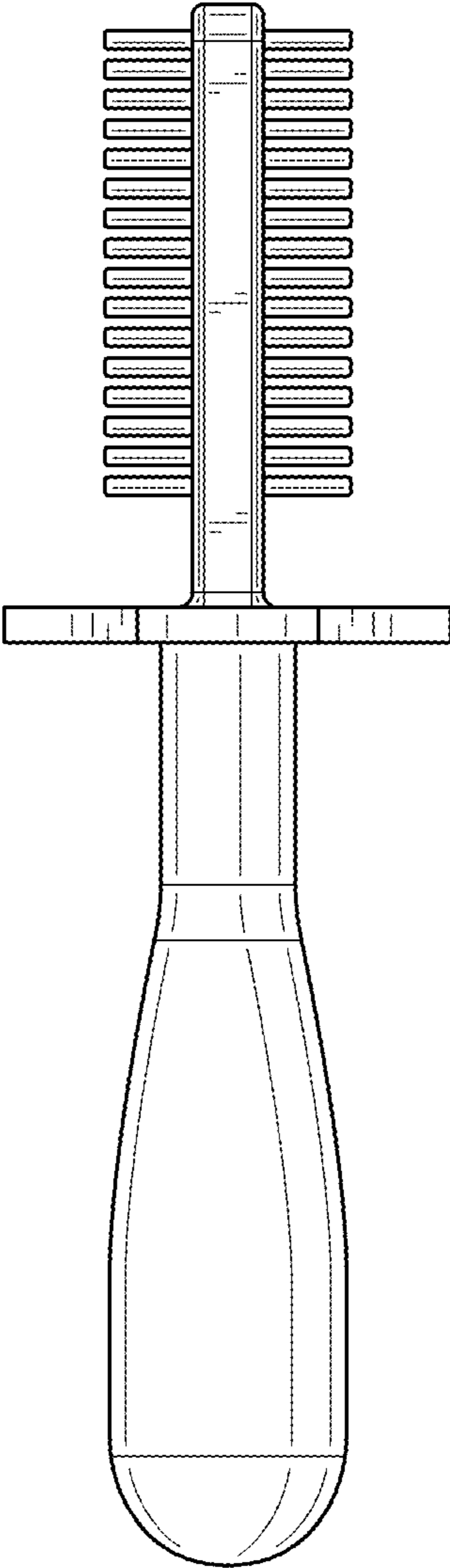


FIG. 5

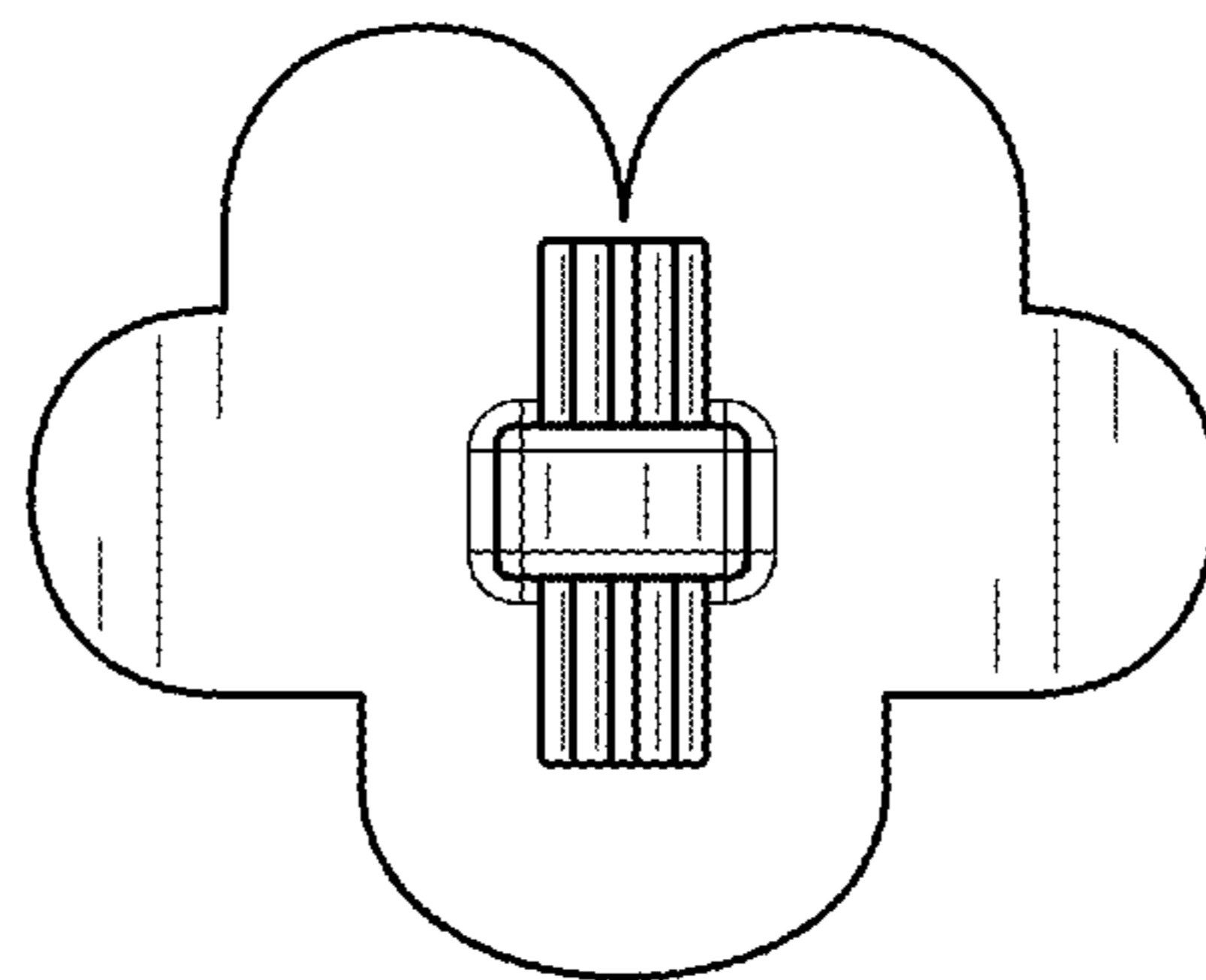


FIG. 6

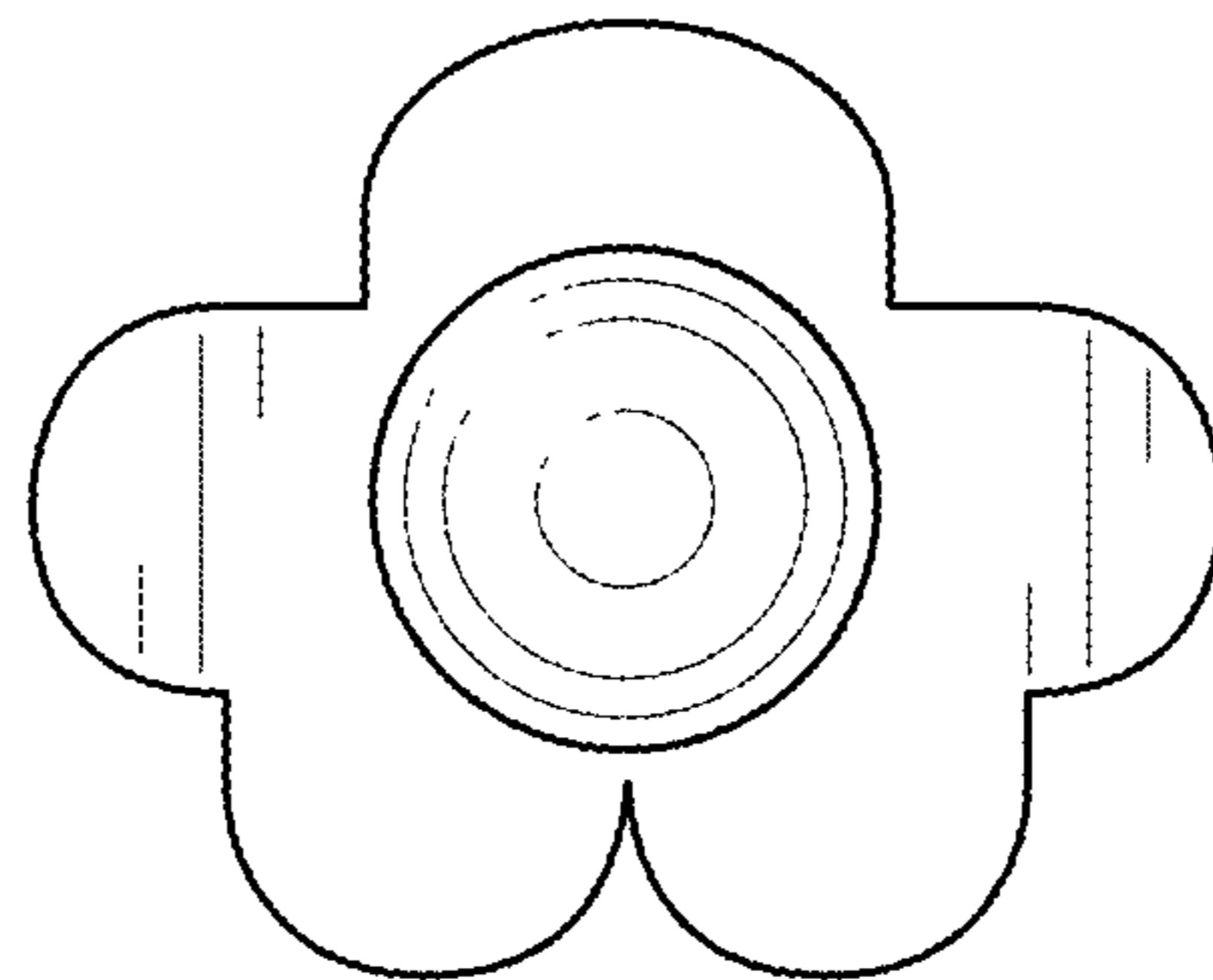


FIG. 7