



US00D907923S

(12) **United States Design Patent** (10) **Patent No.:** **US D907,923 S**
Benlolo (45) **Date of Patent:** **** Jan. 19, 2021**

(54) **RECREATIONAL TRAY**
(71) Applicant: **Michael Benlolo**, Miami, FL (US)
(72) Inventor: **Michael Benlolo**, Miami, FL (US)
(73) Assignee: **GLOBAL INNOVATIONS NETWORK LLC**, Miami, FL (US)
(**) Term: **15 Years**
(21) Appl. No.: **29/753,826**
(22) Filed: **Oct. 2, 2020**
(51) **LOC (13) Cl.** **03-01**
(52) **U.S. Cl.**
USPC **D3/304**
(58) **Field of Classification Search**
USPC D3/201, 203.1, 203.2, 304, 308;
D7/550.1, 554.3, 566
CPC . B65D 1/00; B65D 1/34; B65D 25/38; B65D
25/52; B65D 85/70; B65B 39/007; B65B
1/04
See application file for complete search history.

(56) **References Cited**
U.S. PATENT DOCUMENTS
221,635 A * 11/1879 Wahl et al. B65D 1/023
222/572
2,530,009 A * 11/1950 Fields A61J 7/02
222/129
2,821,078 A * 1/1958 Steward E04F 21/06
222/572
2,952,369 A * 9/1960 Rew A61J 7/02
414/675
3,747,756 A * 7/1973 Wheeler B07C 7/04
209/703
D262,507 S * 1/1982 Wooldridge D7/698
4,643,316 A * 2/1987 Hoffmann B07C 7/04
206/373
D298,968 S * 12/1988 McAllister D15/140

D363,195 S * 10/1995 Bransby D7/698
5,495,950 A * 3/1996 Jellum B07C 7/04
209/703
D374,946 S 10/1996 Meurlin
D382,402 S * 8/1997 Pawuk D3/304
D430,399 S * 9/2000 Pawuk D3/304
D432,308 S * 10/2000 Lockhart D3/201
D459,581 S * 7/2002 Krumes D3/304
D547,490 S 7/2007 Simester
D737,509 S 8/2015 Now
D784,067 S * 4/2017 Keating D7/354
D799,826 S * 10/2017 DeVita A61J 7/02
D3/304
D808,171 S * 1/2018 Trost D3/304
D841,401 S * 2/2019 Jones D7/554.3
D869,088 S 12/2019 Kesselman

(Continued)

FOREIGN PATENT DOCUMENTS

CN 207836114 U 9/2018
Primary Examiner — Kelley A Donnelly
(74) *Attorney, Agent, or Firm* — Mestechkin Law Group P.C.

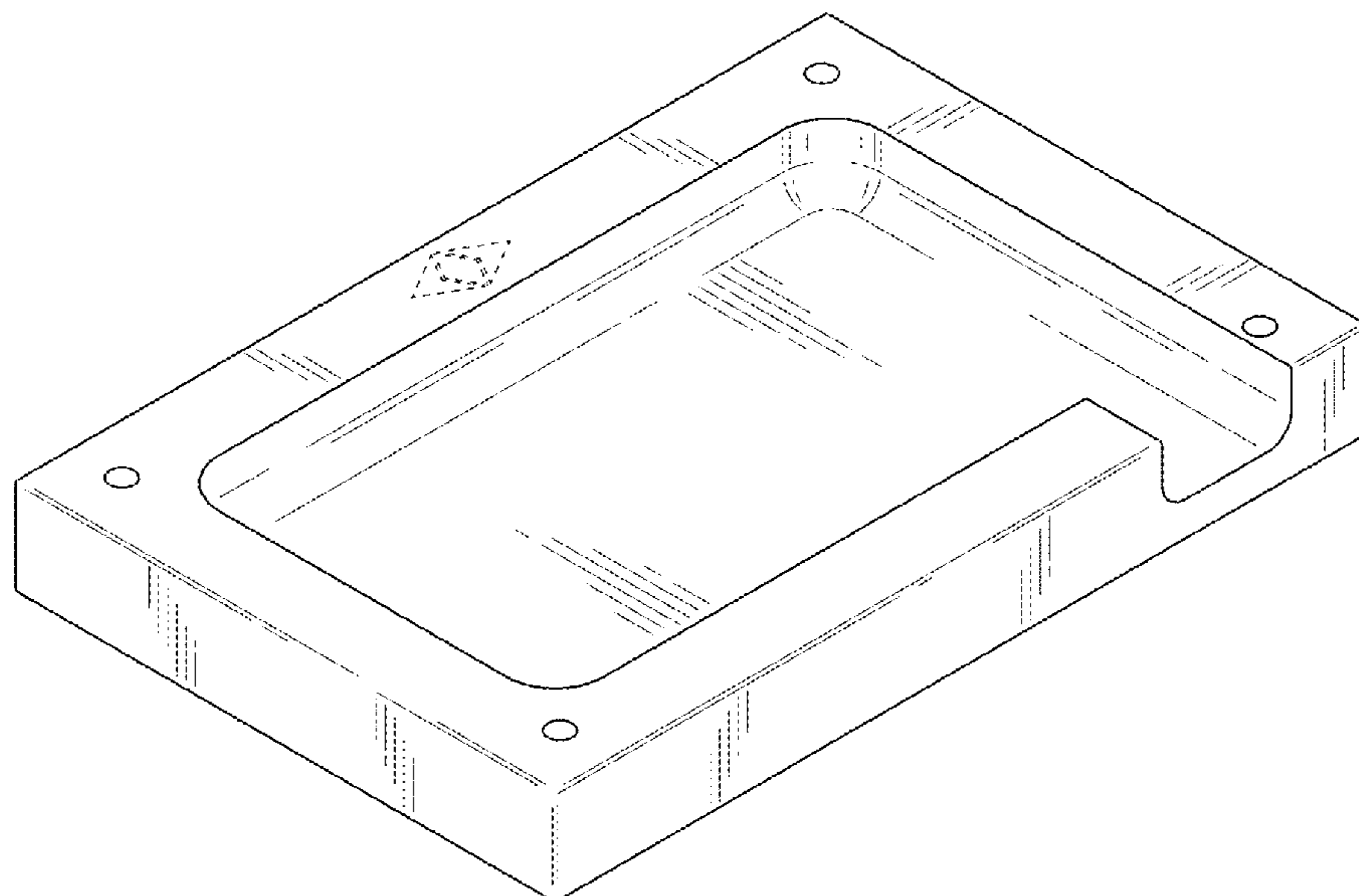
(57) **CLAIM**

The ornamental design for a recreational tray, as shown and described.

DESCRIPTION

FIG. 1 is a Top Front Left Isometric view of a recreational tray according to one embodiment of my new design; FIG. 2 is a Top Front Right Isometric view thereof; FIG. 3 is a Bottom Rear Right Isometric view thereof; FIG. 4 is a Front view thereof; FIG. 5 is a Rear view thereof; FIG. 6 is a Left view thereof; FIG. 7 is a Right view thereof; FIG. 8 is a Top view thereof; and, FIG. 9 is a Bottom view thereof.

1 Claim, 7 Drawing Sheets



(56)

References Cited

U.S. PATENT DOCUMENTS

D889,126 S * 7/2020 Staiano D3/304
2006/0237026 A1 10/2006 Simester

* cited by examiner

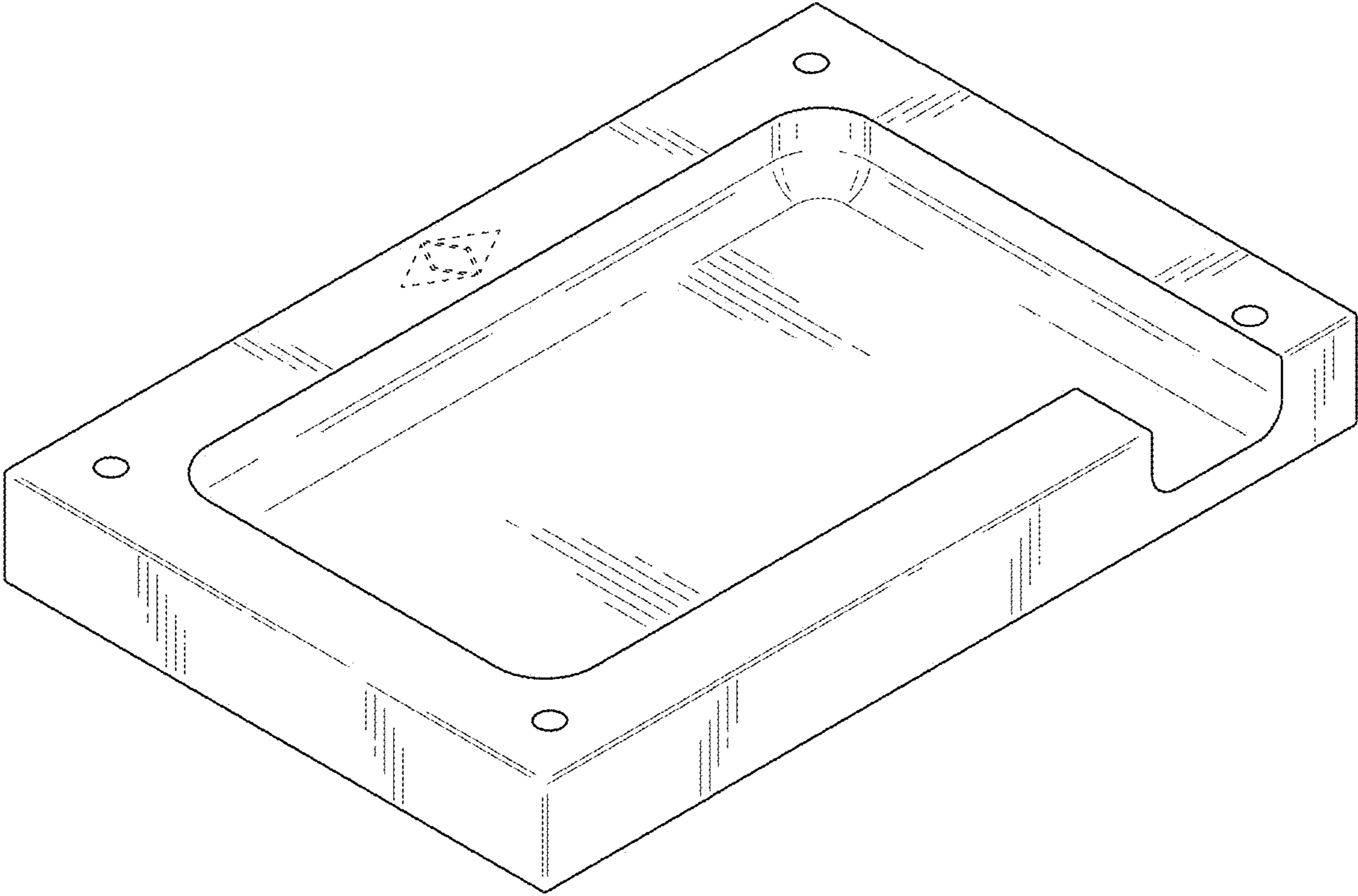


FIG. 1

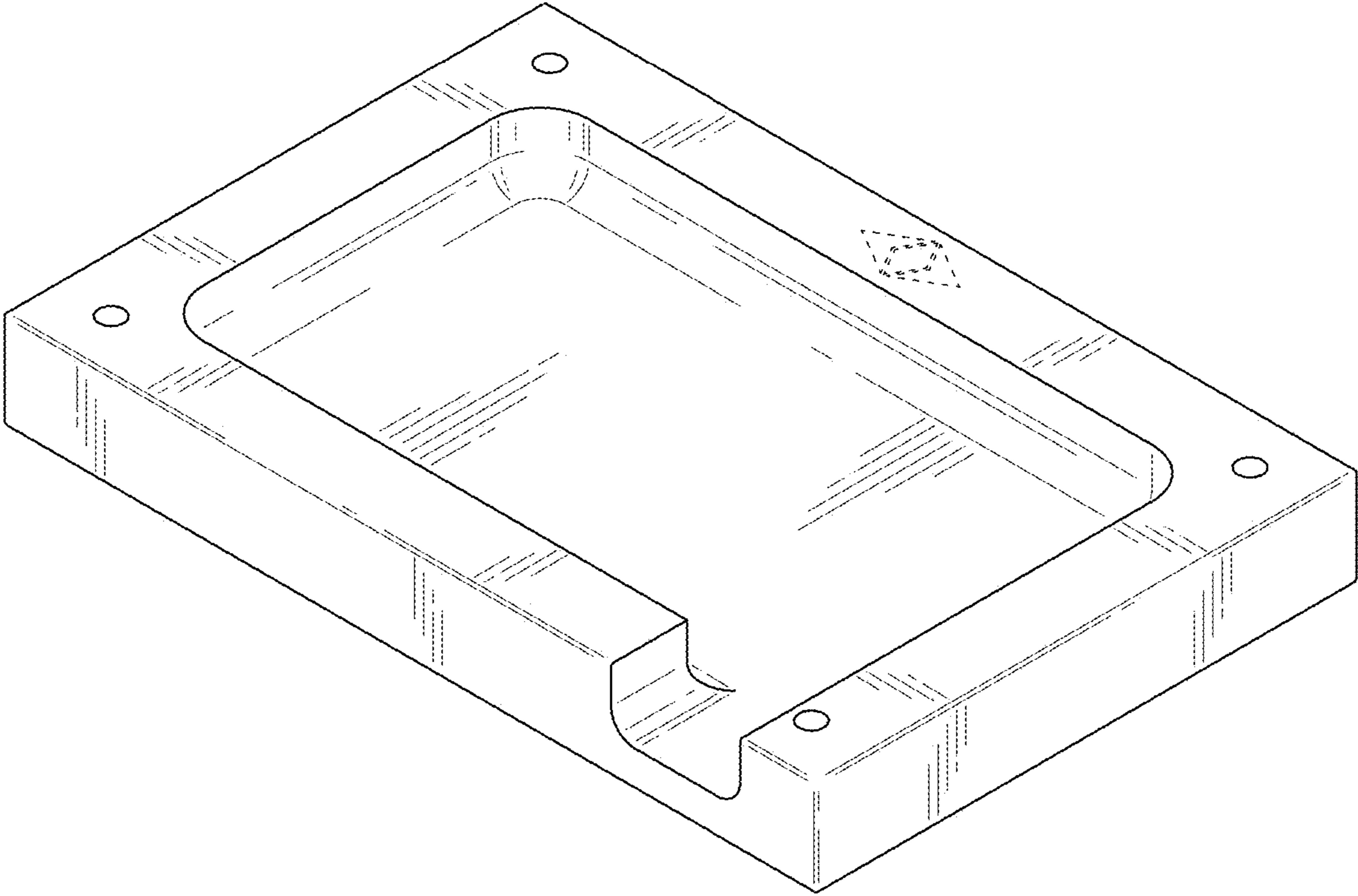


FIG. 2

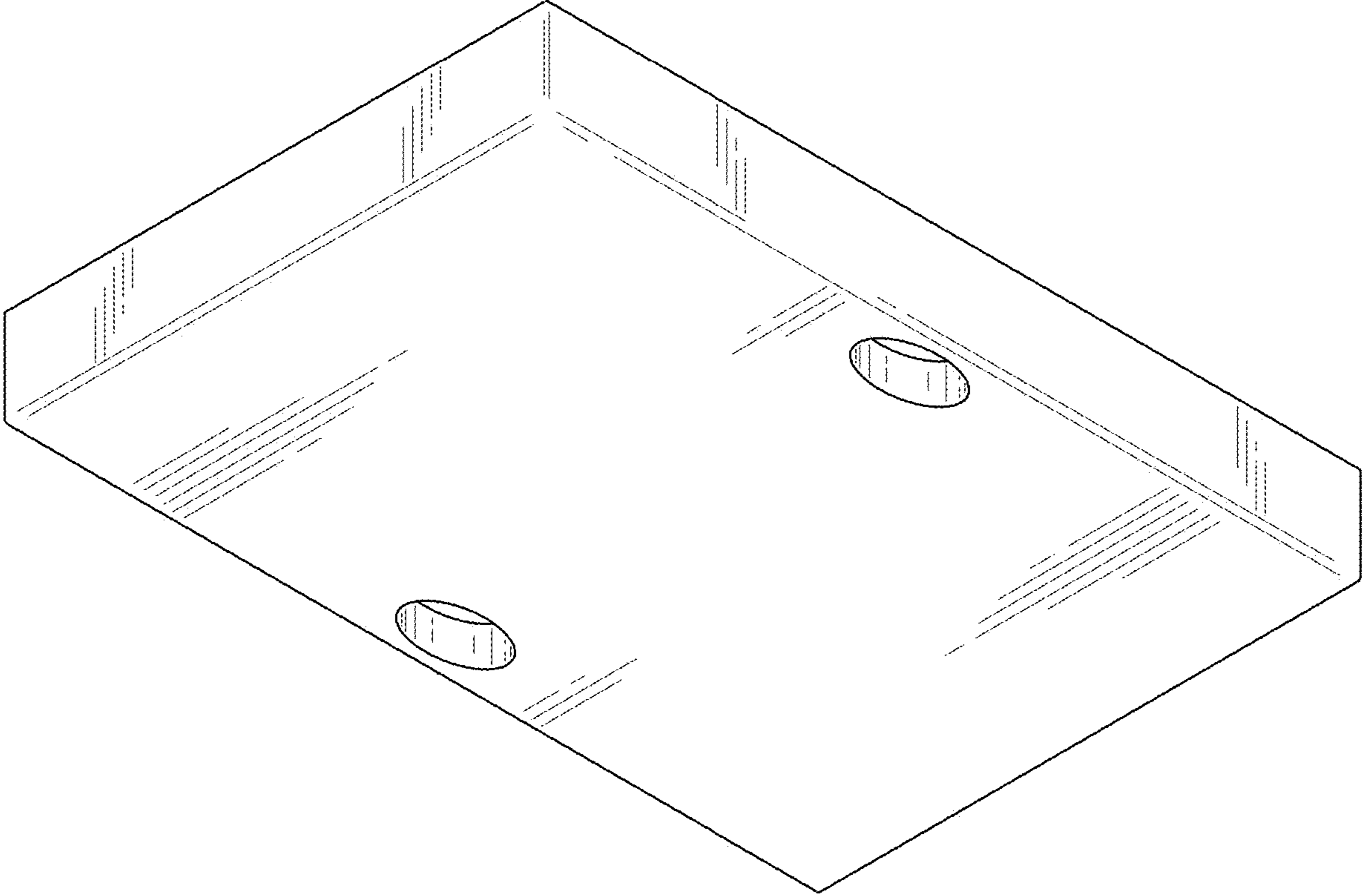


FIG. 3

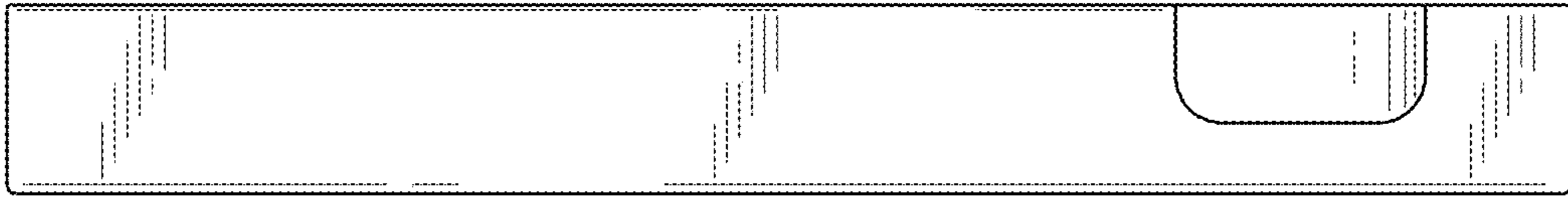


FIG. 4

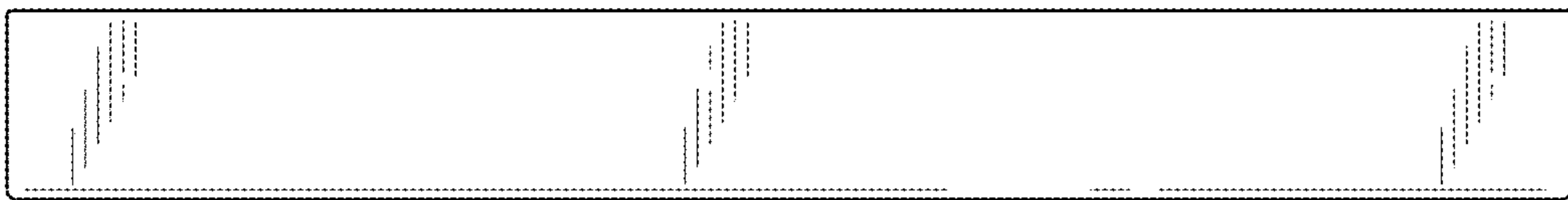


FIG. 5

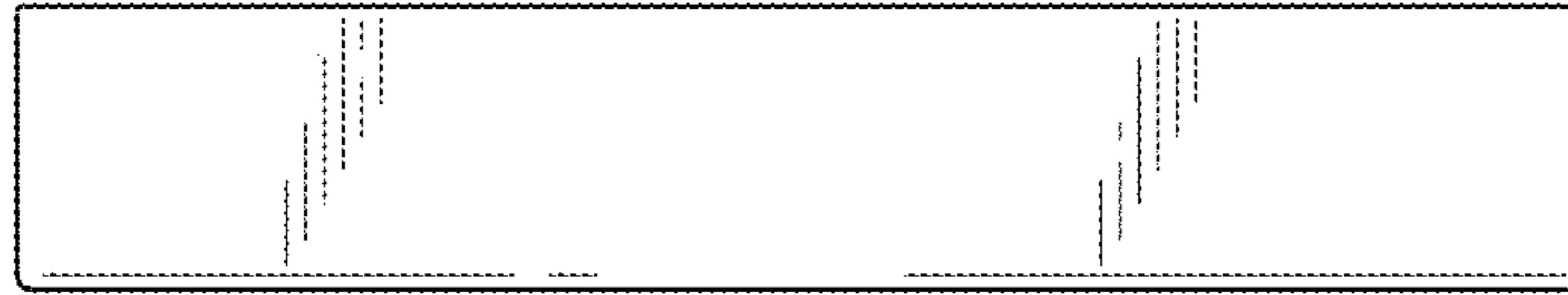


FIG. 6

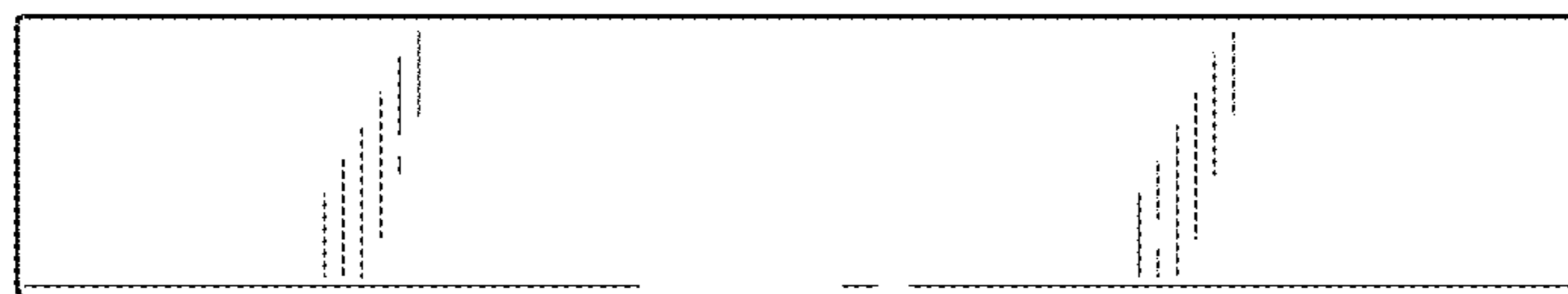


FIG. 7

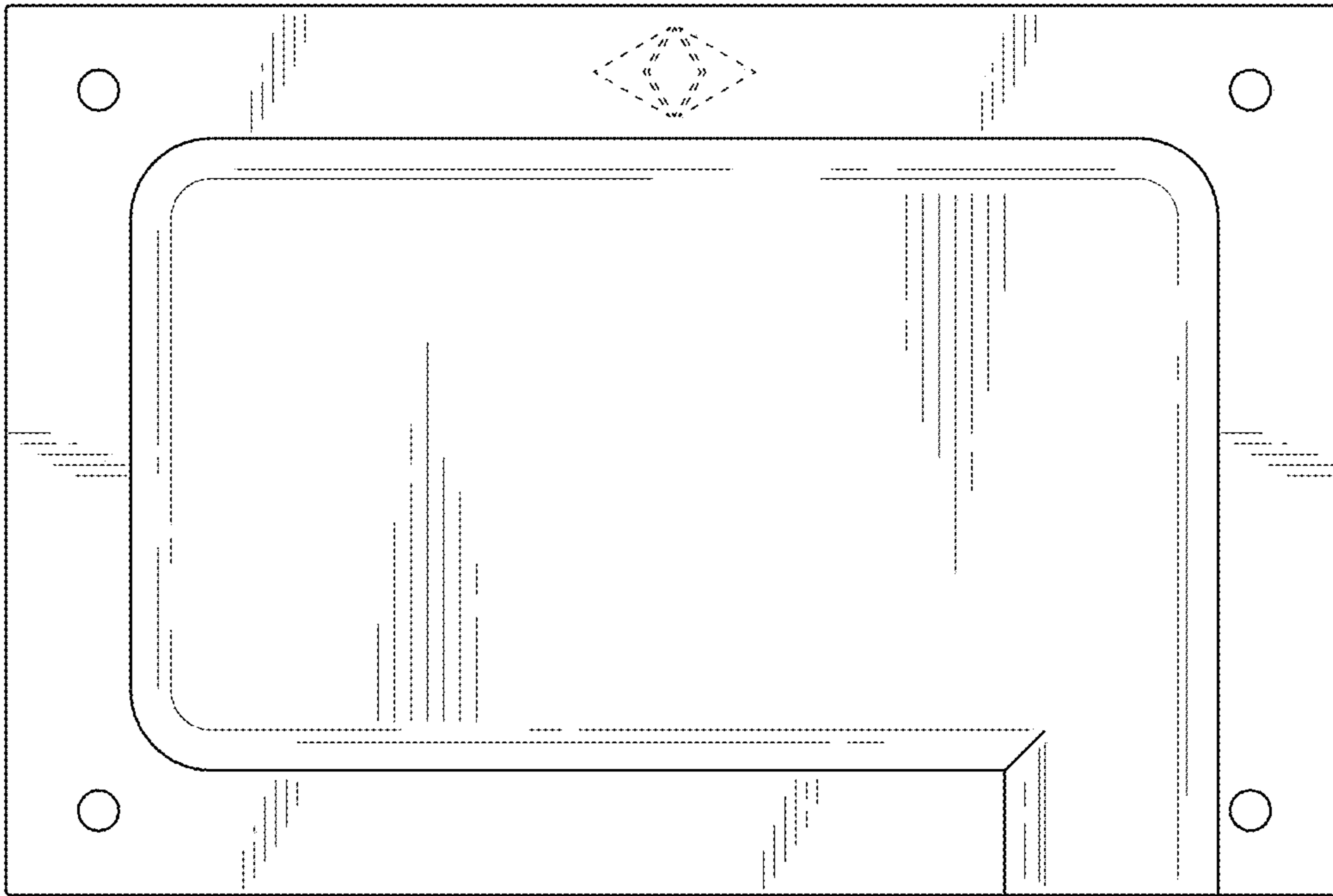


FIG. 8

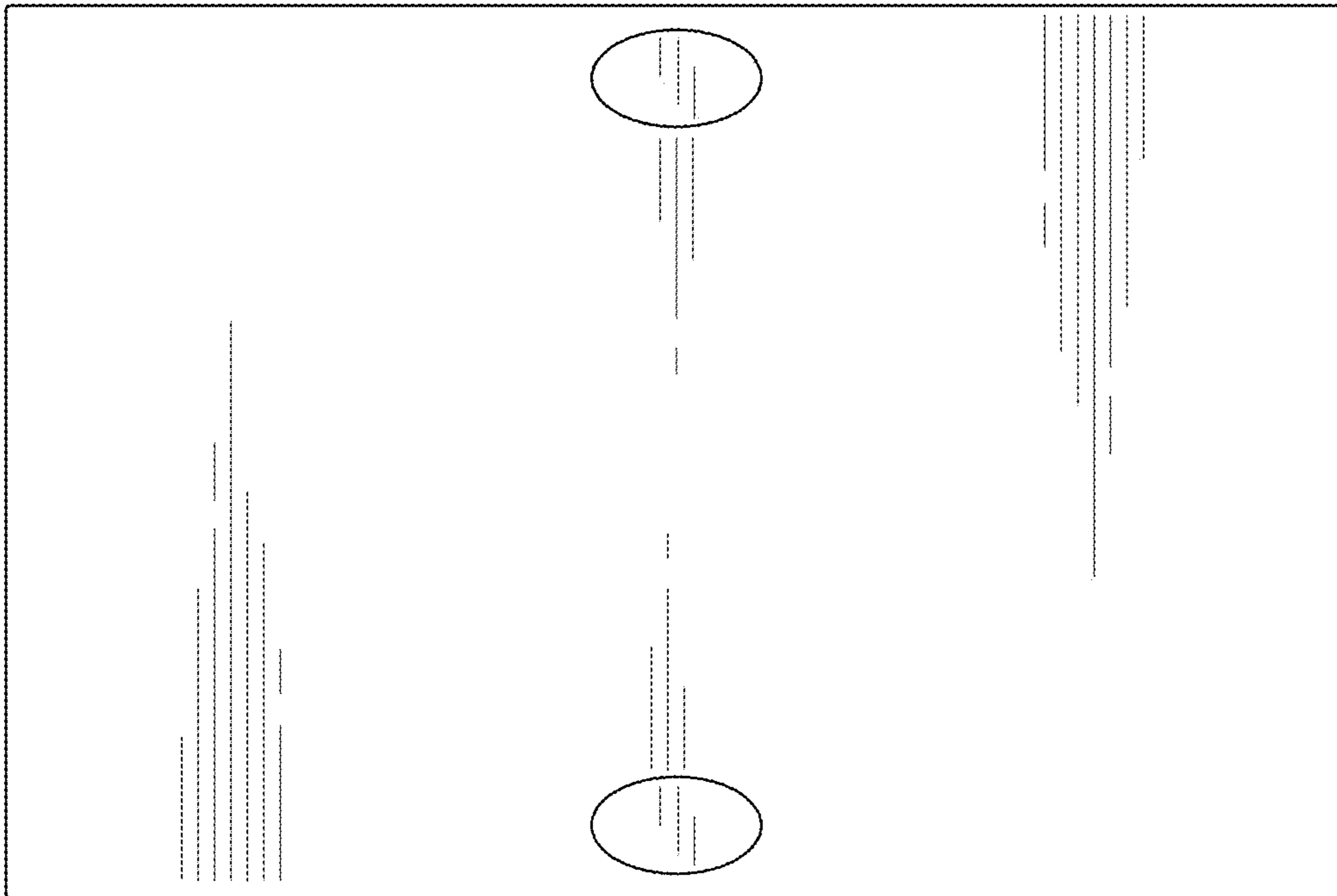


FIG. 9