



US00D907921S

(12) **United States Design Patent**
Koval et al.

(10) **Patent No.:** **US D907,921 S**
(45) **Date of Patent:** **** Jan. 19, 2021**

- (54) **BATTERY ORGANIZER**
- (71) Applicants: **Homeco LLC**, Brooklyn, NY (US);
TNS LLC, Brooklyn, NY (US)
- (72) Inventors: **Benjamin Koval**, Brooklyn, NY (US);
Aaron Katz, Brooklyn, NY (US);
Schmiley Schick, Brooklyn, NY (US)

- D468,688 S 1/2003 Helman
 - D490,375 S * 5/2004 Pomerance D13/119
 - D523,244 S 6/2006 Peterson
 - 7,287,648 B2 * 10/2007 Foreman B65D 21/0204
206/462
 - D561,993 S * 2/2008 Bum D3/282
 - D569,617 S * 5/2008 Lin D3/282
 - D578,962 S 10/2008 Foreman et al.
- (Continued)

- (73) Assignee: **Homeco LLC**, Brooklyn, NY (US)
- (**) Term: **15 Years**
- (21) Appl. No.: **29/728,379**
- (22) Filed: **Mar. 18, 2020**
- (51) **LOC (13) Cl.** **03-01**
- (52) **U.S. Cl.**
USPC **D3/282**; D3/284; D3/905
- (58) **Field of Classification Search**
USPC D3/272, 273, 279, 289, 321, 902, 201,
D3/254, 282, 905; D13/103, 119
CPC B65D 88/30; B65D 88/00; B65D 88/10;
B65D 88/26; B65D 88/542; A45C 11/00
See application file for complete search history.

- (56) **References Cited**
U.S. PATENT DOCUMENTS
- D256,522 S * 8/1980 Peterson D3/284
- D301,575 S 6/1989 Crawford, Jr.
- D332,442 S 1/1993 Simpson, Sr.
- D343,289 S 1/1994 Duley
- D347,729 S * 6/1994 Bible, Jr. D3/274
- D370,557 S * 6/1996 Ferris D3/201
- D376,690 S 12/1996 Lockerby
- D380,611 S * 7/1997 Mancusi D13/119
- D412,397 S * 8/1999 Liu D3/276
- 6,152,303 A 11/2000 Ducote et al.
- D459,074 S * 6/2002 Eckmann D3/276
- 6,419,091 B1 7/2002 Gaffney et al.
- D463,911 S * 10/2002 Chen D3/282

OTHER PUBLICATIONS

TV Commercial Ad, "Battery Daddy TV Commercial Ad, Size of a Laptop", Published Feb. 4, 2020. (<https://www.tvcommercialad.com/watch/kPJmioSlygu4ep3>) (Year: 2020).*

(Continued)

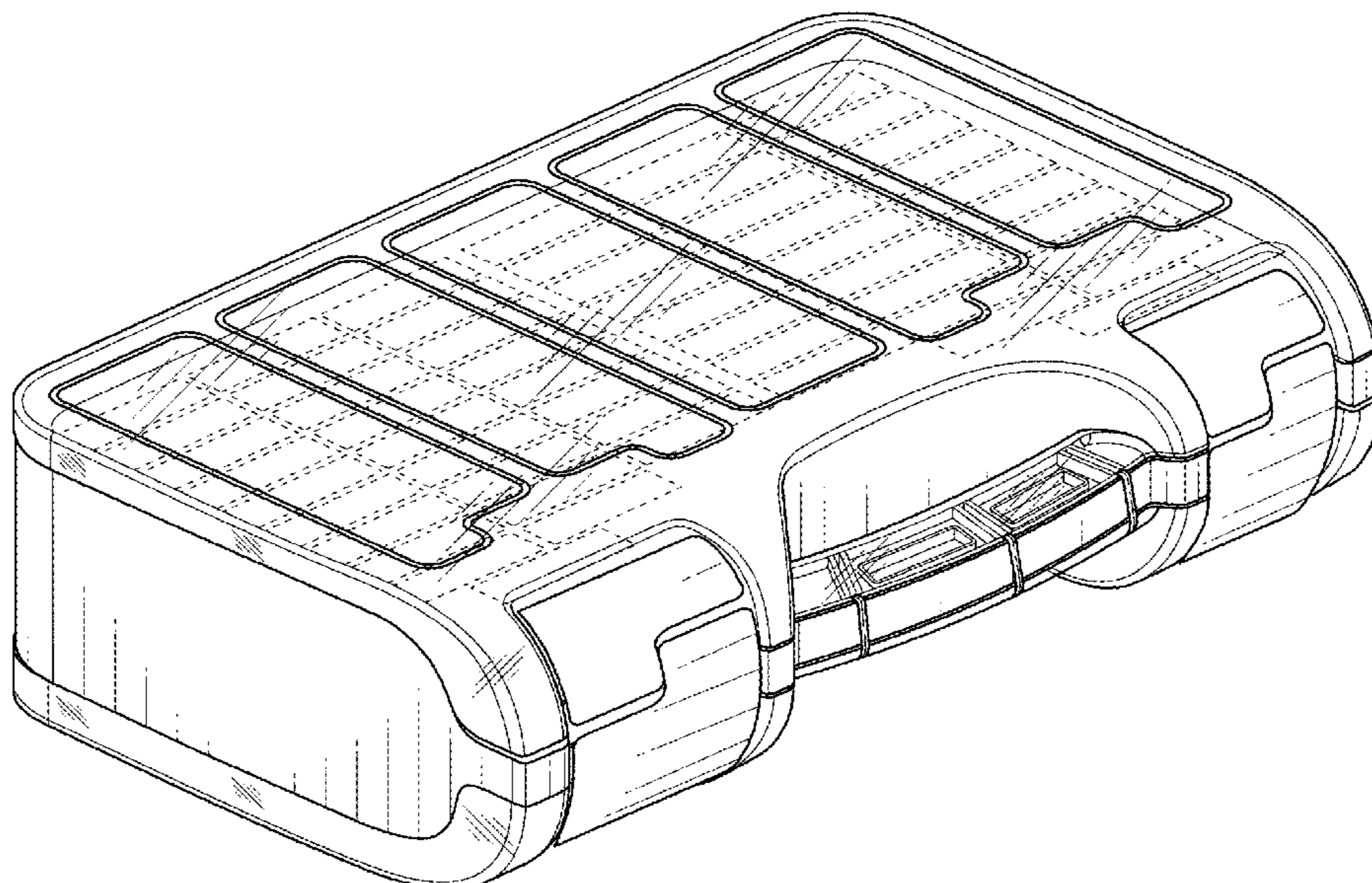
Primary Examiner — April Rivas

(57) **CLAIM**
The ornamental design for a battery organizer, as shown and described.

DESCRIPTION

FIG. 1 is a top perspective view of a battery organizer showing my new design;
FIG. 2 is a front elevational view of the battery organizer of FIG. 1;
FIG. 3 is a rear elevational view of the battery organizer of FIG. 1;
FIG. 4 is a left side elevational view of the battery organizer of FIG. 1;
FIG. 5 is a right side elevational view of the battery organizer of FIG. 1;
FIG. 6 is a top plan view of the battery organizer of FIG. 1;
FIG. 7 is a bottom plan elevational view of the battery organizer of FIG. 1; and,
FIG. 8 is a rear perspective view of the battery organizer of FIG. 1.

1 Claim, 5 Drawing Sheets



(56)

References Cited

U.S. PATENT DOCUMENTS

7,597,199 B1 10/2009 Rochelo
D624,016 S 9/2010 Seehoff et al.
D635,766 S * 4/2011 Roesler D3/282
D649,341 S * 11/2011 Long, Jr. D3/201
D677,625 S 3/2013 Rowe
D710,104 S * 8/2014 Tivoly D3/282
D720,292 S 12/2014 Buck
D720,696 S 1/2015 Huang
9,159,967 B1 10/2015 Hanson et al.
D785,938 S * 5/2017 Ou D3/282
D885,762 S * 6/2020 Long D3/285
D890,694 S * 7/2020 Heroux D13/103
2005/0031940 A1 2/2005 Chacon

OTHER PUBLICATIONS

Youtube, "180 Deluxe Battery Organizer Storage Case w/ Battery Tester on QVC", Published Dec. 11, 2019 by user "QVCtv". (<https://www.youtube.com/watch?v=zLkIFvXy4xU>) (Year: 2019).*

* cited by examiner

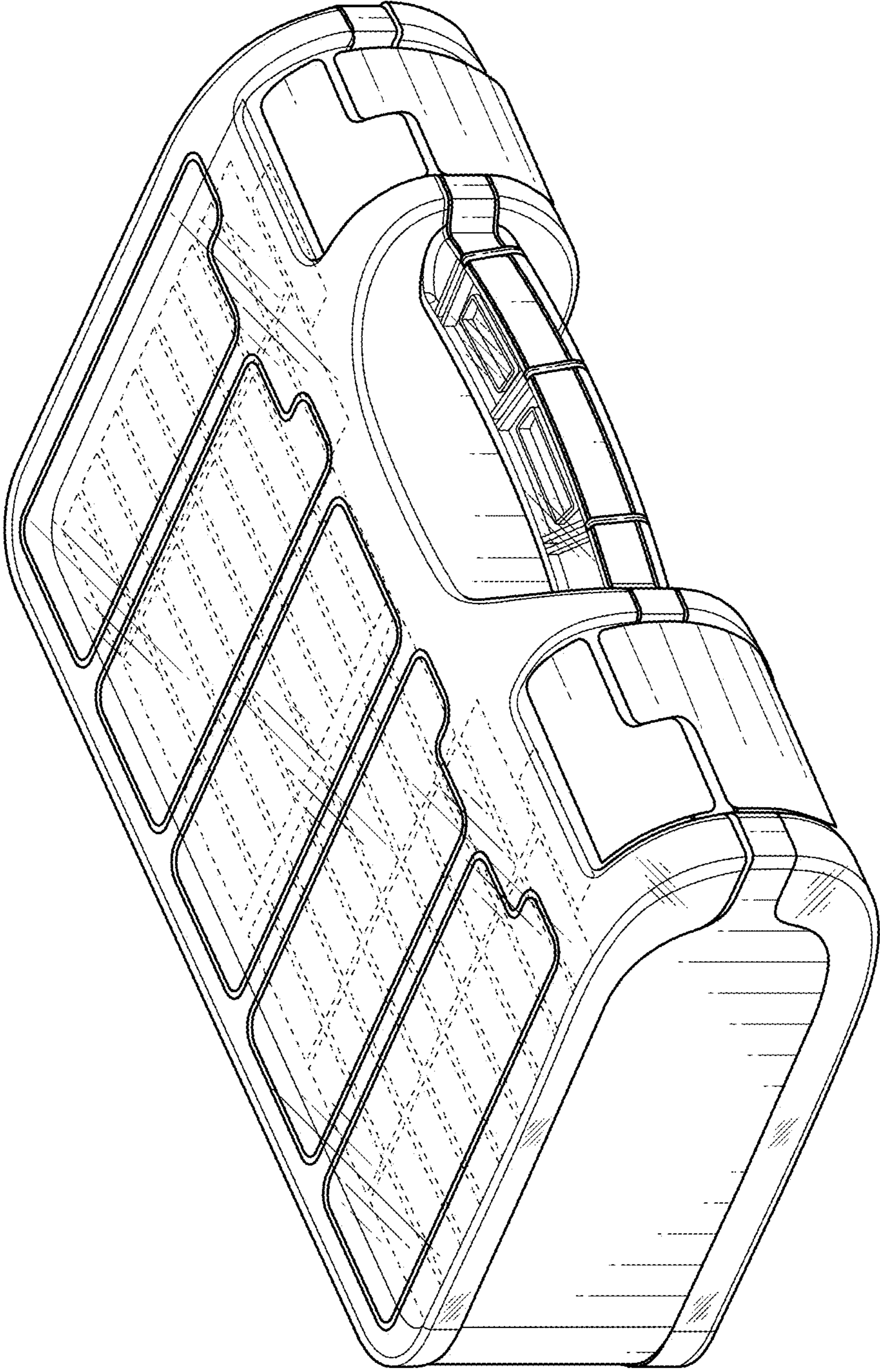


FIG. 1

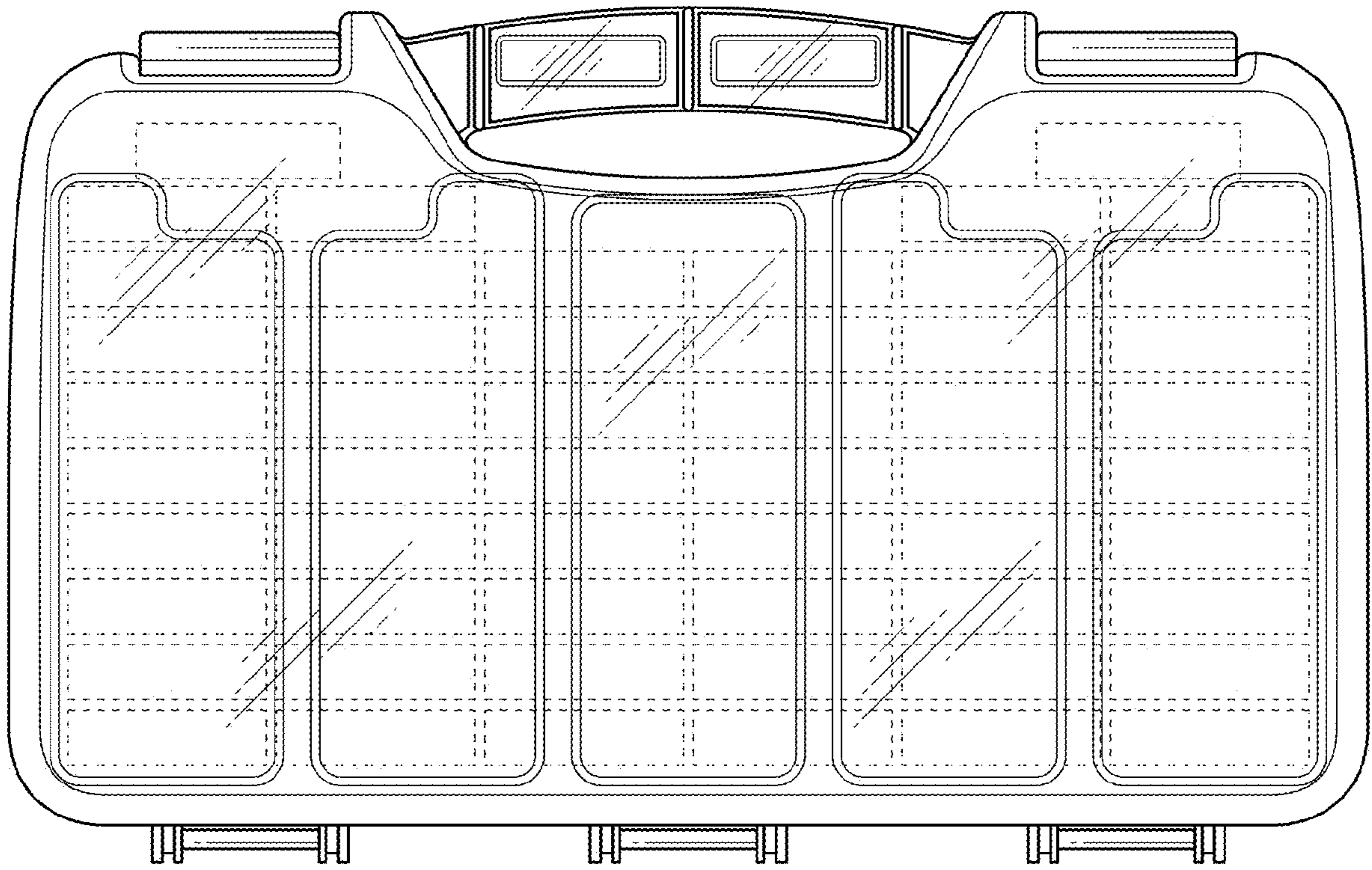


FIG. 2

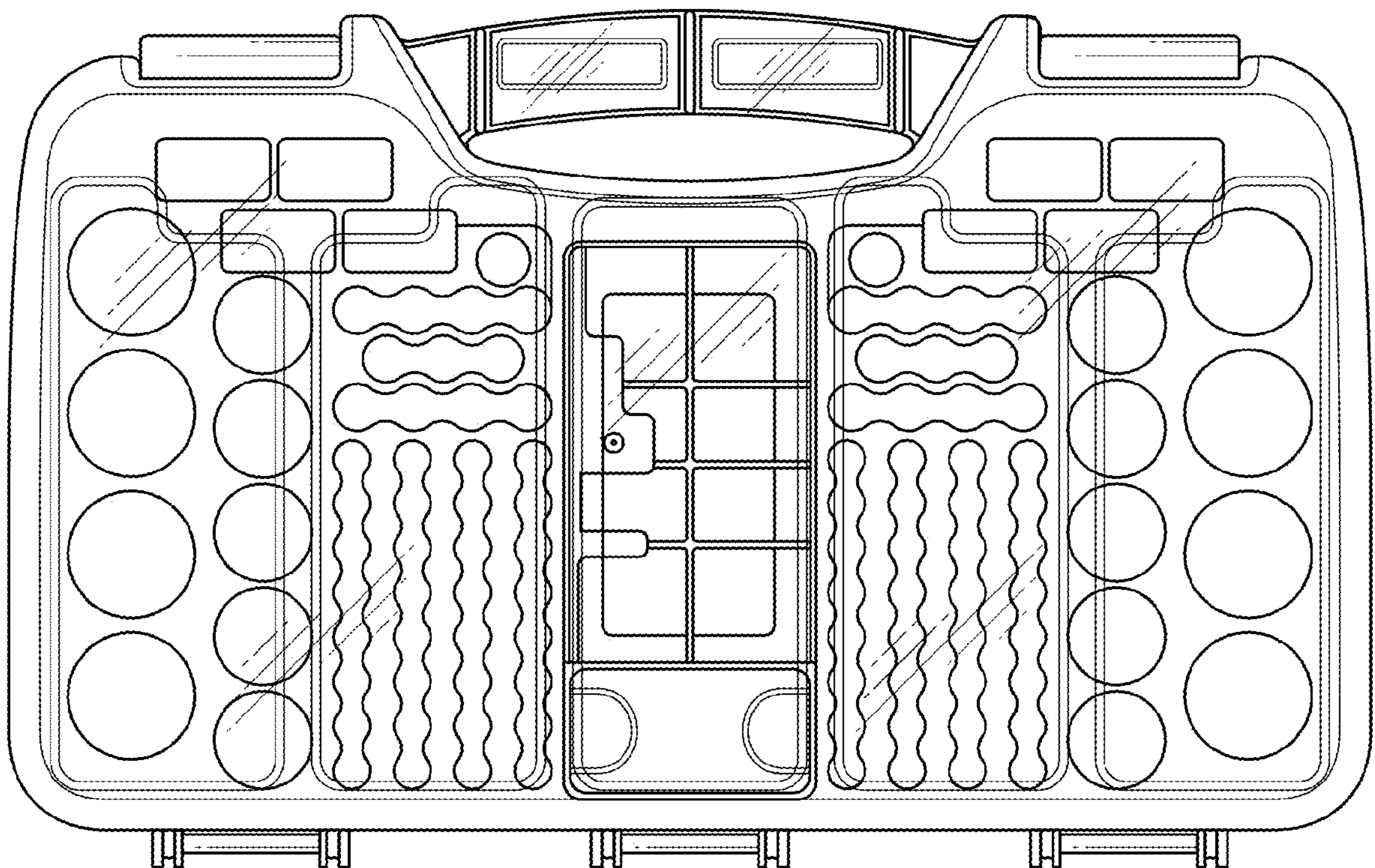


FIG. 3

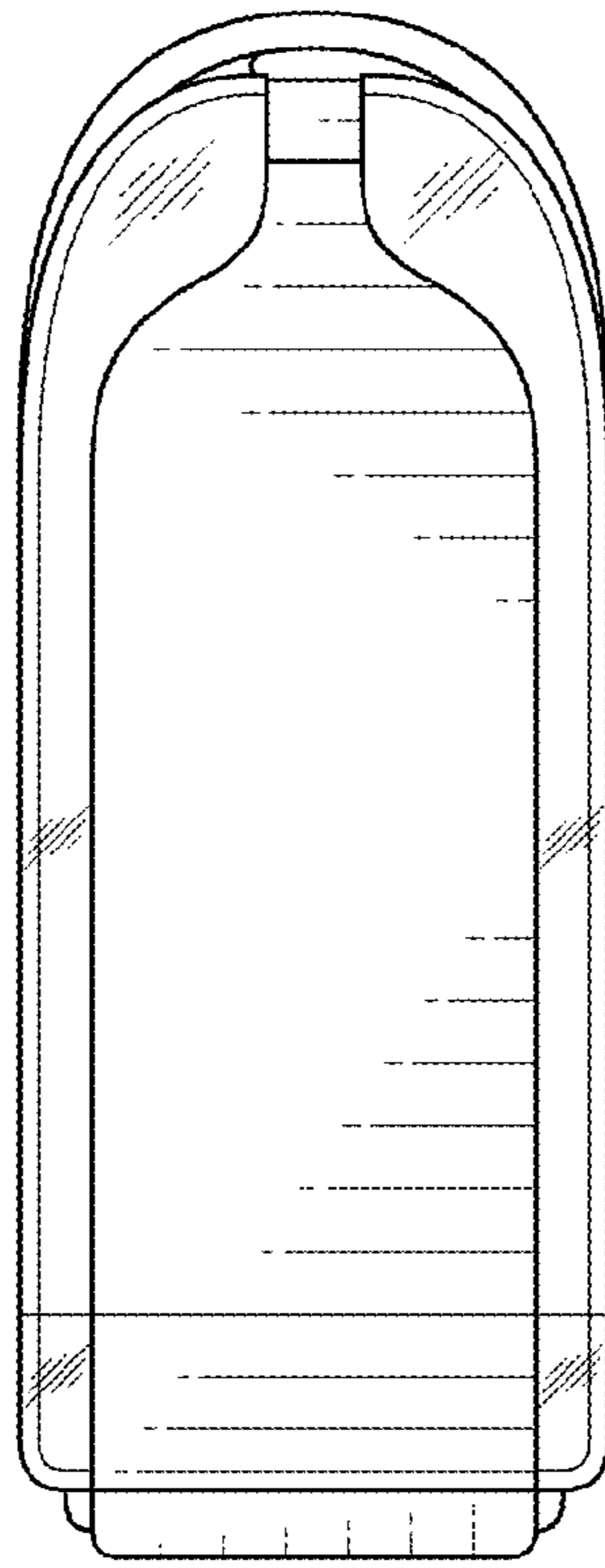


FIG. 4

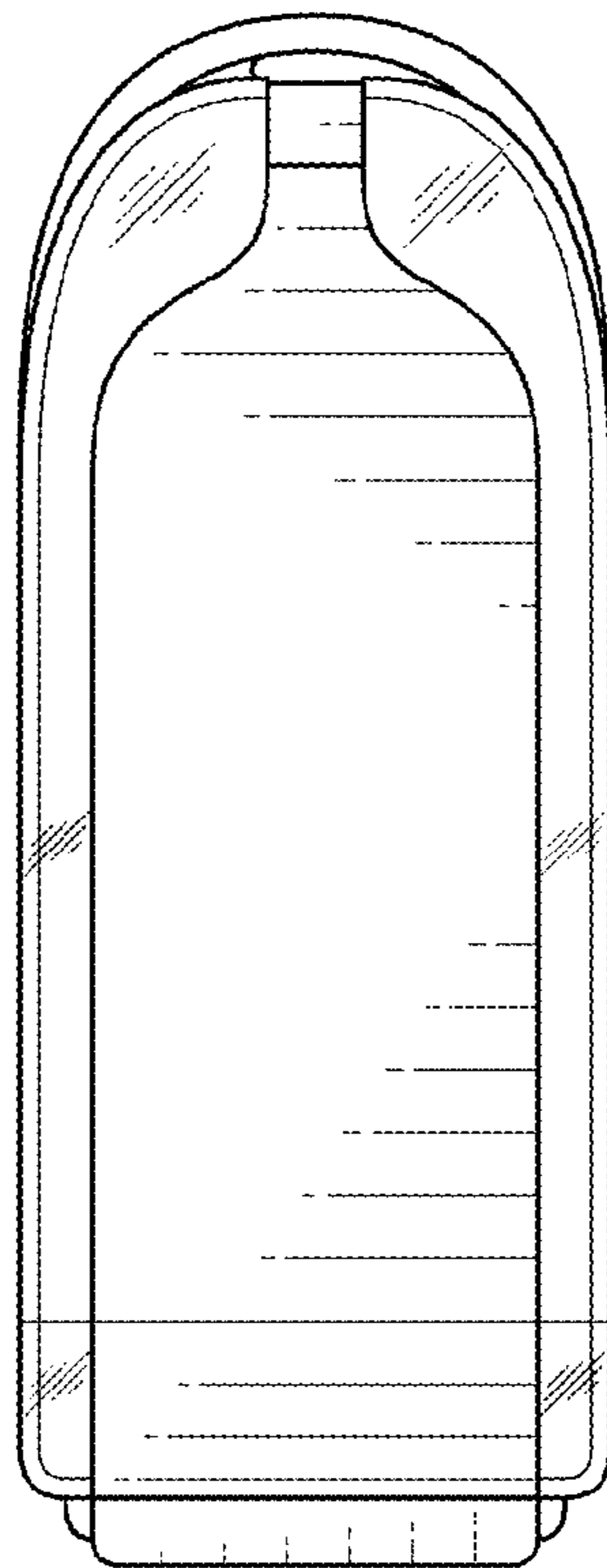


FIG. 5

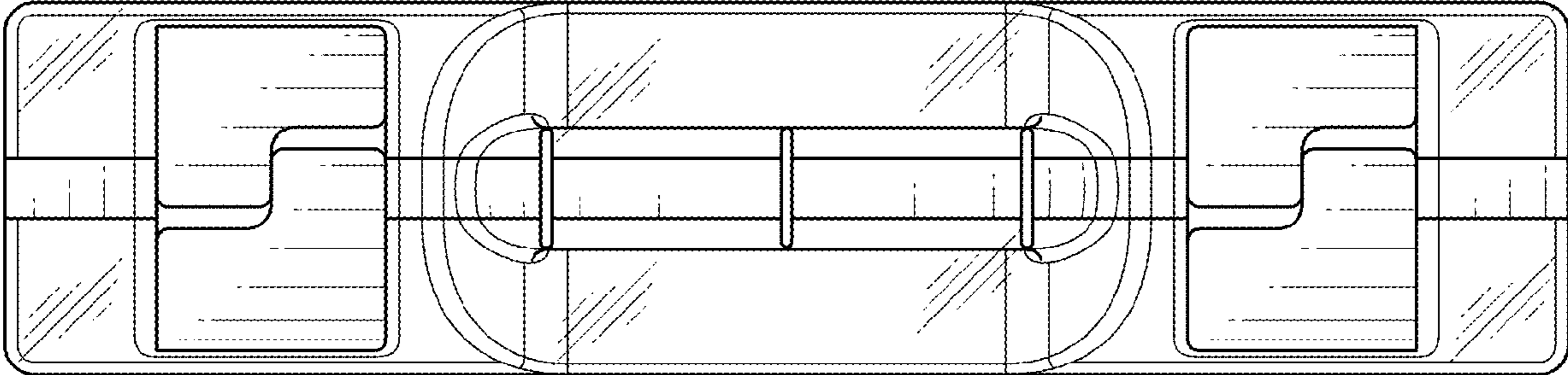


FIG. 6

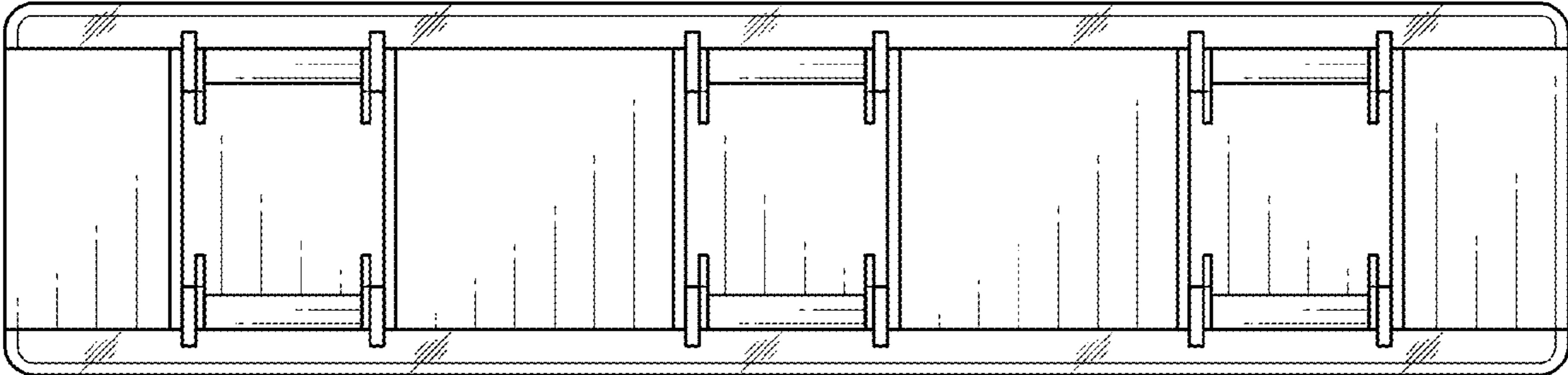


FIG. 7

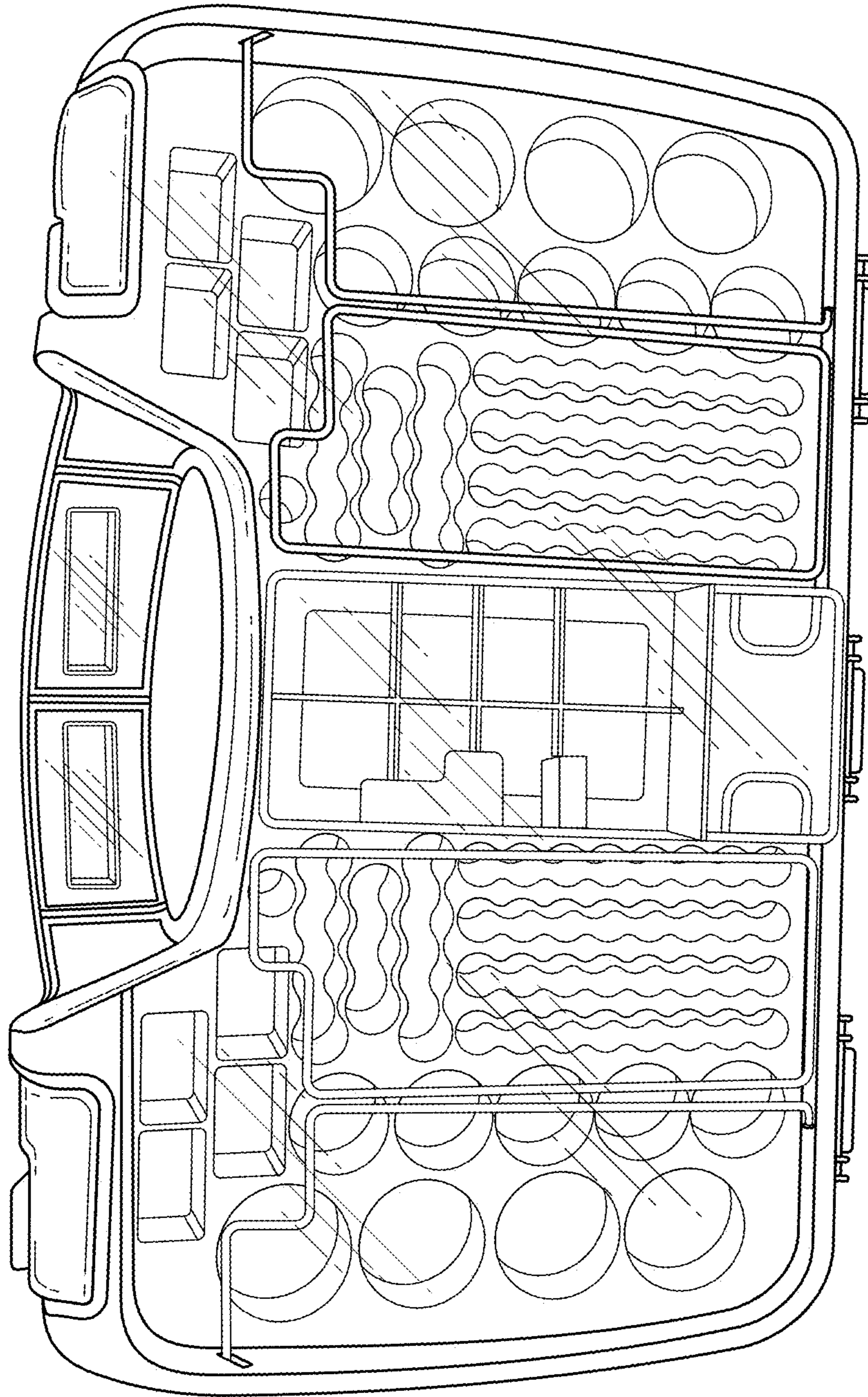


FIG. 8