



US00D907917S

(12) **United States Design Patent**
Lee

(10) **Patent No.:** **US D907,917 S**
(45) **Date of Patent:** **** Jan. 19, 2021**

(54) **GLASSES CASE**
(71) Applicant: **Cindy Lee**, Buena Park, CA (US)
(72) Inventor: **Cindy Lee**, Buena Park, CA (US)
(**) Term: **15 Years**
(21) Appl. No.: **29/691,926**
(22) Filed: **May 21, 2019**
(51) **LOC (13) Cl.** **03-01**
(52) **U.S. Cl.**
USPC **D3/265; D3/266**
(58) **Field of Classification Search**
USPC D3/207, 215, 219, 229, 263–266, 299,
D3/211; D12/417; D16/330, 339;
24/3.3, 3.7, 3.8, 563; 206/5, 5.1, 6;
248/902; 351/112, 155
CPC A45C 11/04; A45C 11/005; A47F 7/02;
A47F 7/021
See application file for complete search history.

2,863,487 A * 12/1958 Shiner A45C 11/04
206/5
2,918,959 A * 12/1959 Bloch A45C 11/04
206/5
3,000,417 A * 9/1961 Goldstein A45C 11/04
206/5
D202,741 S 11/1965 van Alen
D226,502 S 3/1973 Hori
D247,200 S * 2/1978 Marks D3/265
D264,976 S 6/1982 Greene
4,823,943 A * 4/1989 Chang A45C 11/005
150/143
D308,598 S * 6/1990 Burchett D3/265
D308,755 S * 6/1990 Chang D3/265
D309,828 S 8/1990 Cook
D341,482 S * 11/1993 McMillan D3/265
D346,815 S * 5/1994 Wake D3/265
D349,403 S 8/1994 Cereda
D352,825 S 11/1994 Hsieh
D379,871 S * 6/1997 Hollinger D3/263

(Continued)

Primary Examiner — T Chase Nelson
(74) *Attorney, Agent, or Firm* — Dunlap Bennett &
Ludwig, PLLC

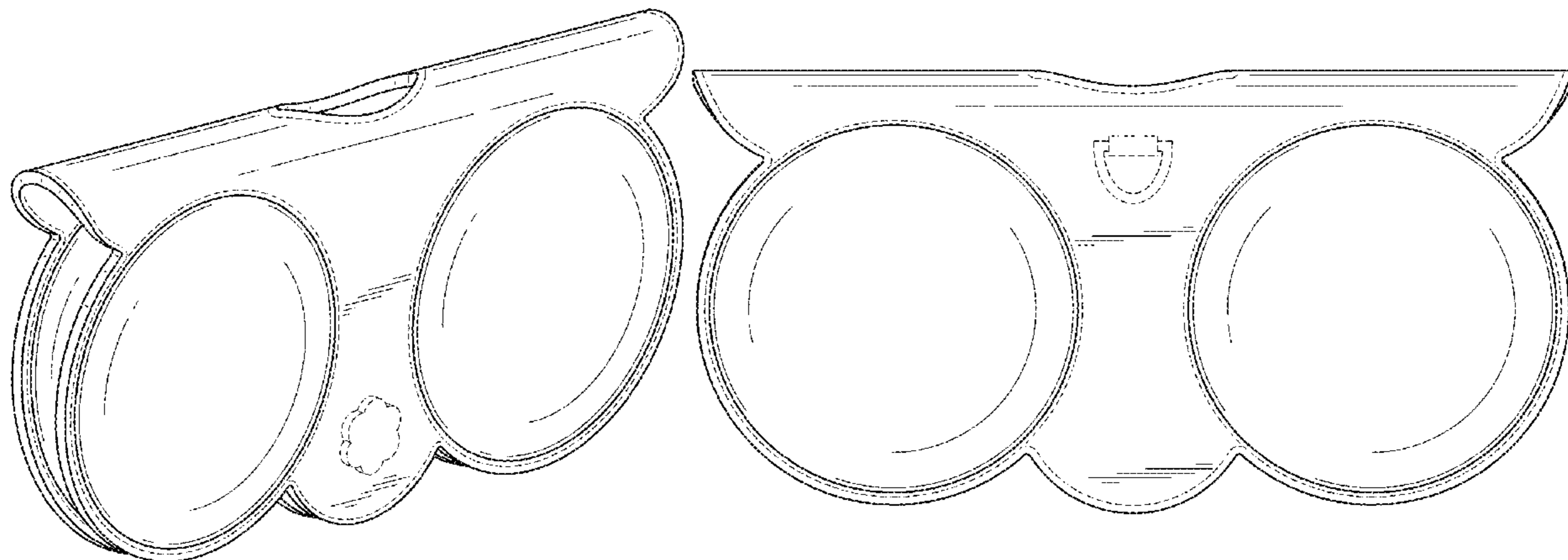
(57) **CLAIM**

The ornamental design for a glasses case, as shown and described.

DESCRIPTION

FIG. 1 is a front perspective view of a glasses case, showing my new design;
FIG. 2 is a front elevation view thereof;
FIG. 3 is a rear elevation view thereof;
FIG. 4 is a left-side elevation view thereof, the right-side elevation being a mirror image thereof;
FIG. 5 is a top plan view thereof; and,
FIG. 6 is a bottom plan view thereof.
The broken lines shown in the drawings depict portions of the glasses case that form no part of the claimed design.

1 Claim, 3 Drawing Sheets



(56)

References Cited

U.S. PATENT DOCUMENTS

D391,759	S *	3/1998	Zudall	D3/266
D397,551	S *	9/1998	Shefler	D3/263
D411,661	S *	6/1999	Spence	D3/263
D484,692	S *	1/2004	Lane	D3/263
D528,299	S *	9/2006	Kim	A45C 11/005
				D3/265
D552,347	S *	10/2007	Kim	D3/265
D610,806	S *	3/2010	Alexander	D3/265
D611,708	S *	3/2010	Alexander	A45C 11/04
				D3/265
D645,660	S *	9/2011	Liebers	D3/265
D648,528	S	11/2011	Liebers	
D651,403	S	1/2012	Haft et al.	
D658,372	S *	5/2012	van der Lande	D3/264
D693,119	S *	11/2013	Butler	D3/265
D711,645	S *	8/2014	van der Lande	D3/264
D743,166	S	11/2015	Pluta	
D743,167	S	11/2015	Pluta	
D777,427	S *	1/2017	Squicciarini	A45C 11/04
				D3/264
D793,085	S	8/2017	Alex et al.	
D812,906	S	3/2018	Rado et al.	
D839,593	S	2/2019	Squicciarini	
10,203,518	B2 *	2/2019	Rado	G02C 5/08
D844,982	S *	4/2019	Dickhardt	A45C 11/04
				D3/265
D850,104	S *	6/2019	Dickhardt	A45C 11/04
				D3/265
D855,985	S *	8/2019	Taylor	A45C 11/04
				D3/265
2014/0262843	A1 *	9/2014	Pluta	A45C 11/04
				206/5
2017/0150793	A1 *	6/2017	Wu	A45C 13/005

* cited by examiner

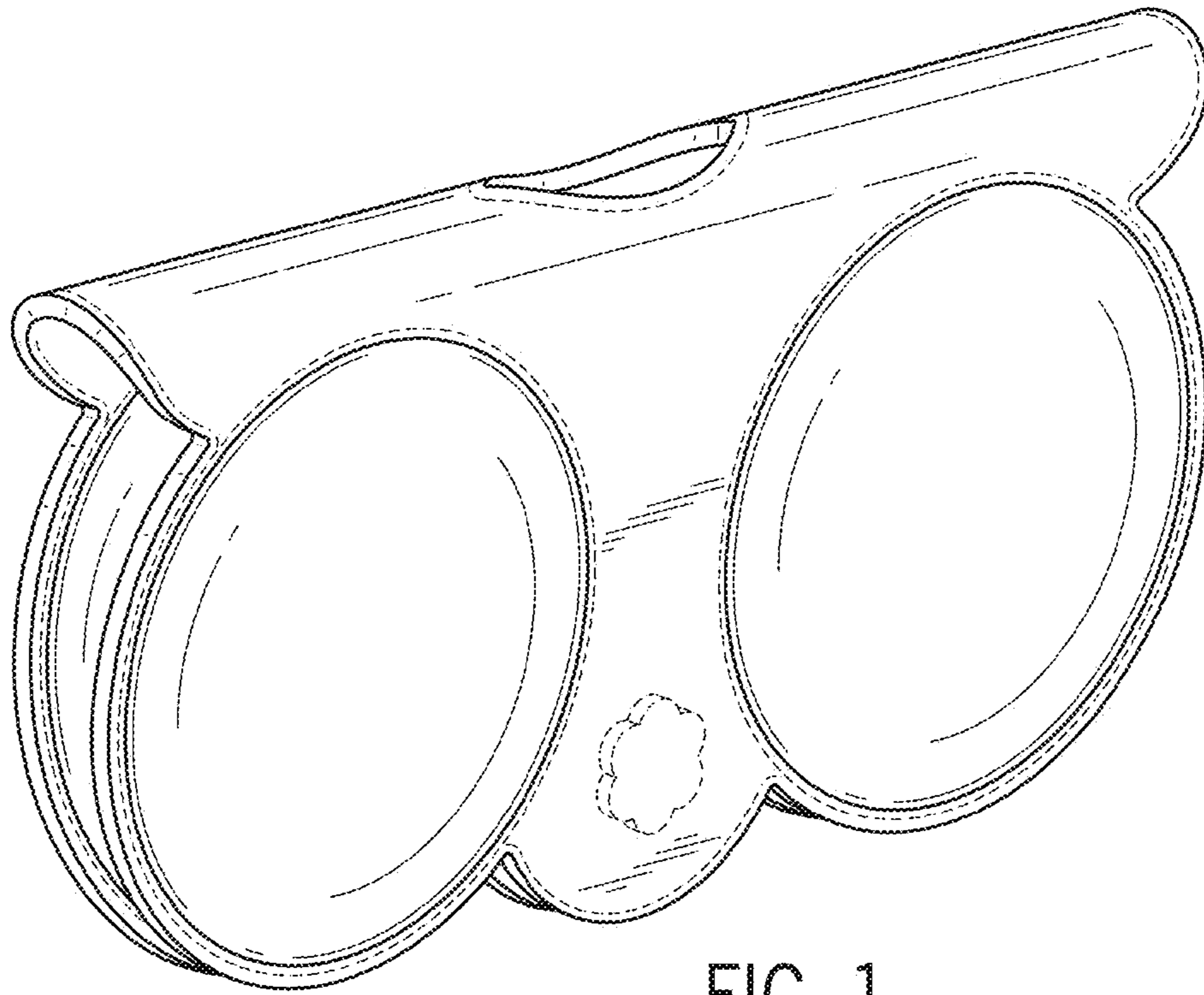


FIG. 1

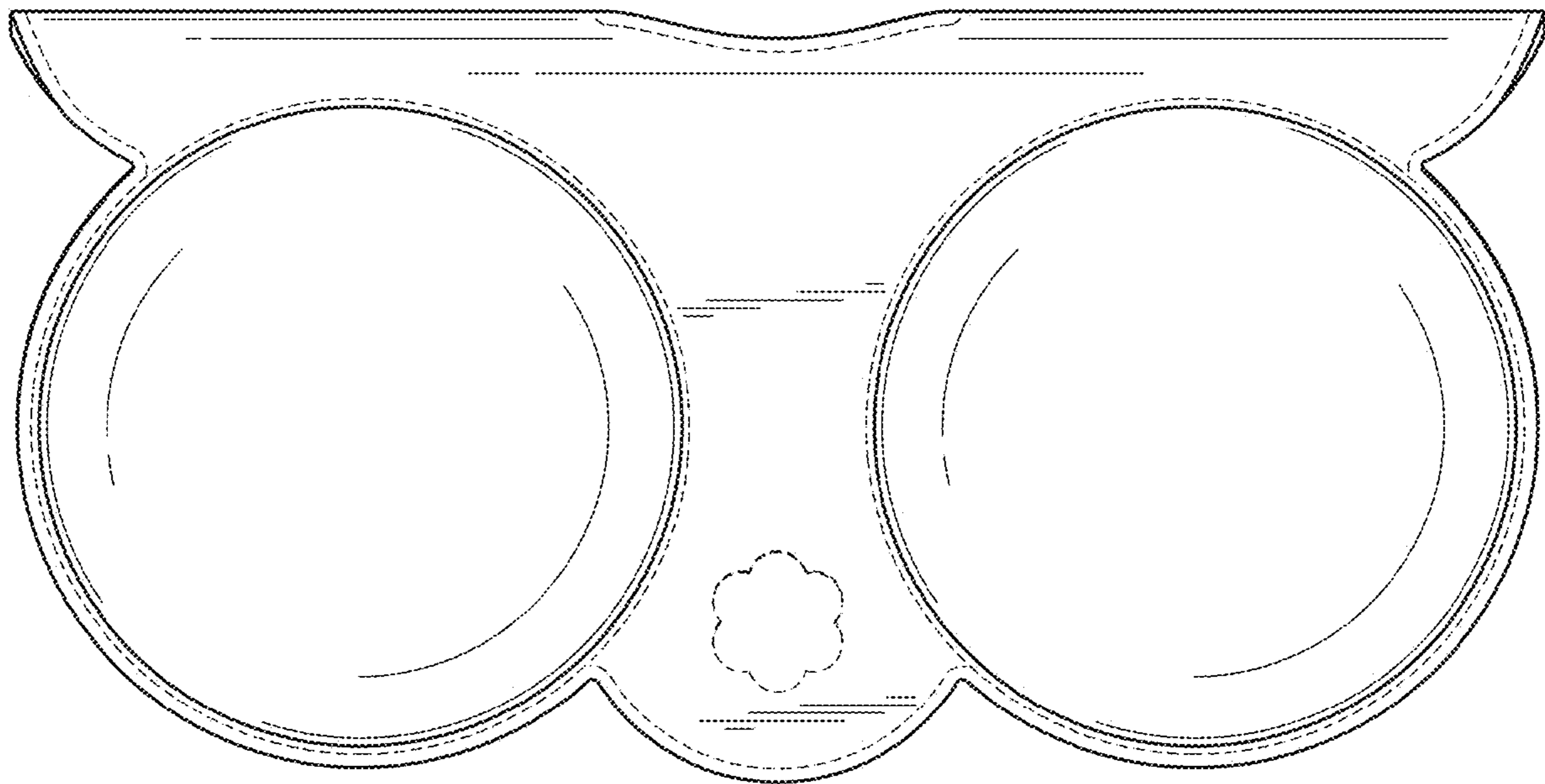


FIG. 2

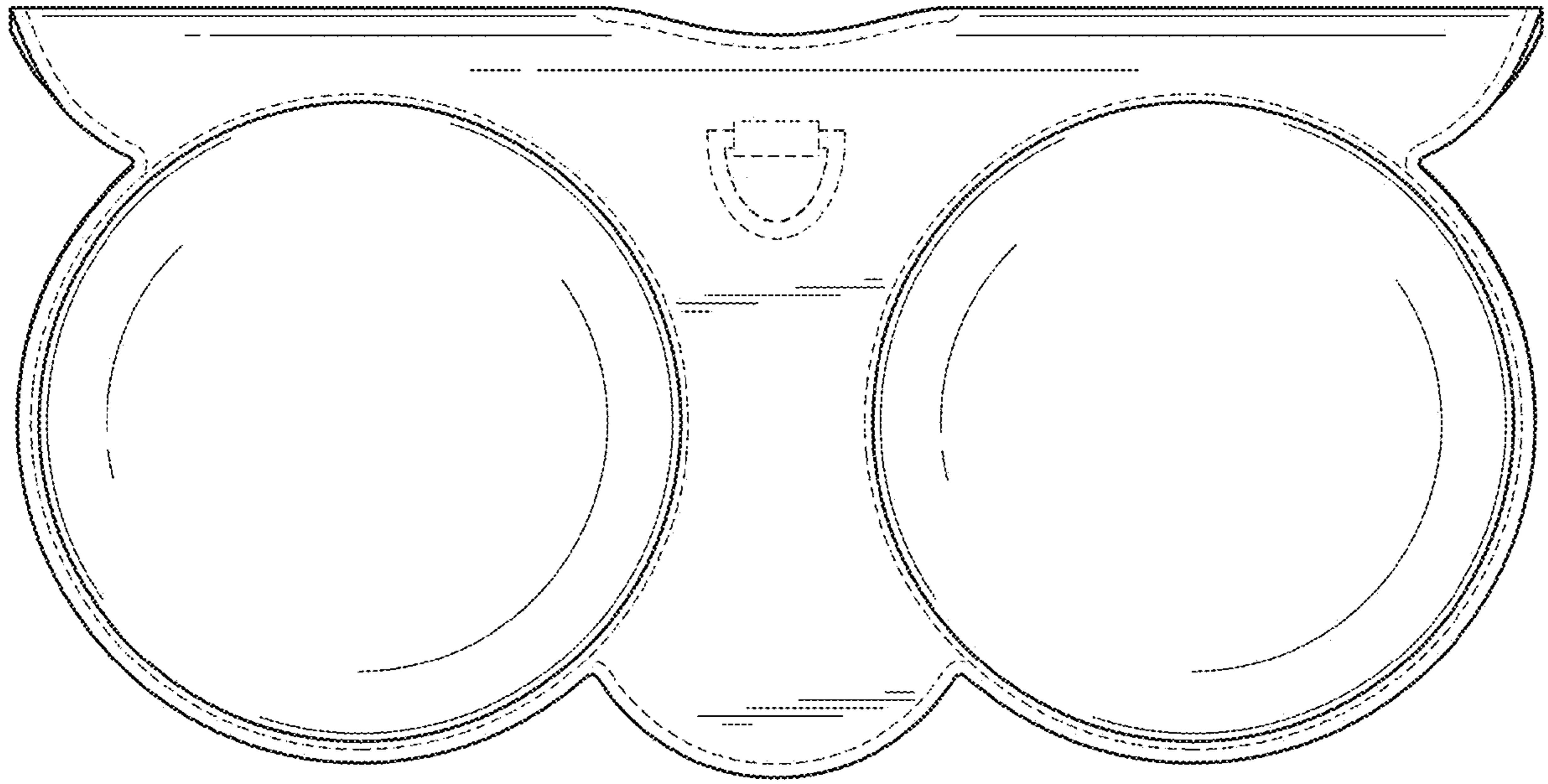
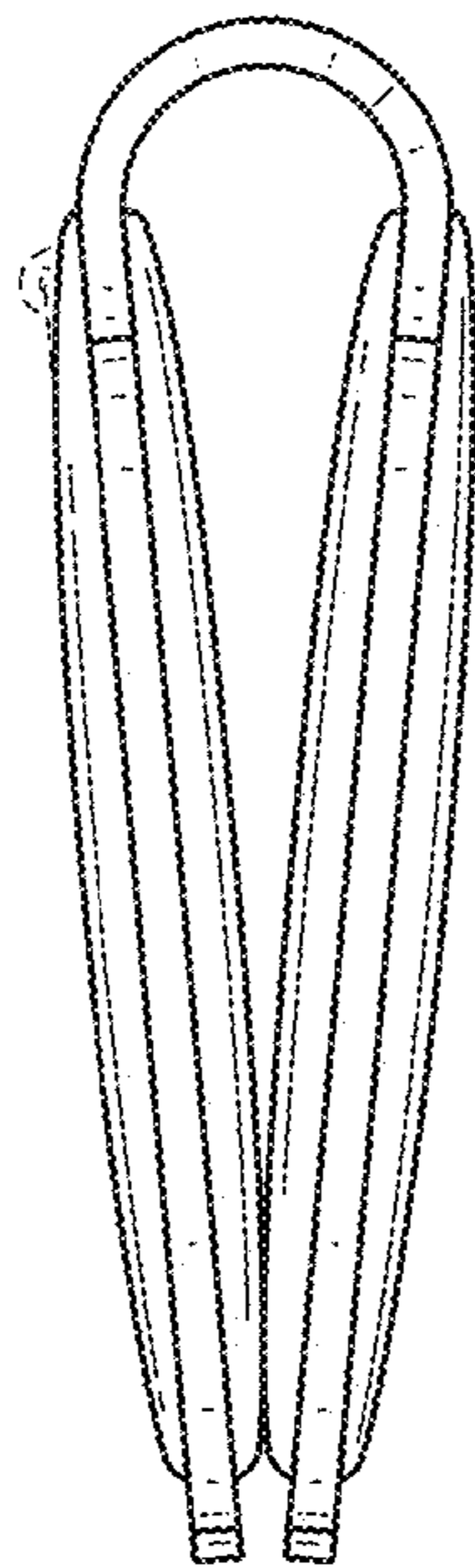


FIG. 3

FIG. 4



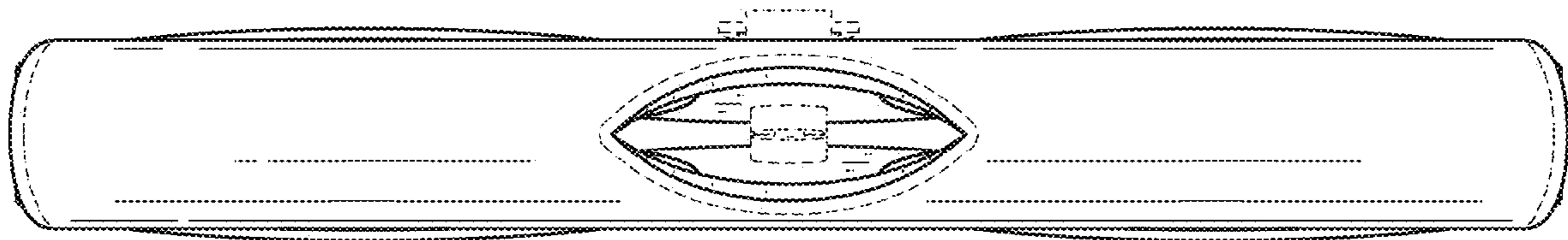


FIG. 5

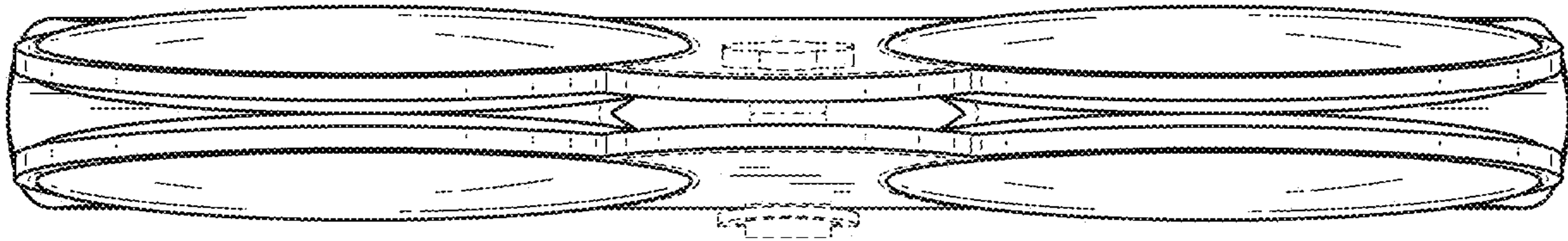


FIG. 6