



US00D907916S

(12) **United States Design Patent**
Sawaya

(10) **Patent No.:** **US D907,916 S**

(45) **Date of Patent:** **** Jan. 19, 2021**

- (54) **BAG**
- (71) Applicant: **Nada Sawaya**, New York, NY (US)
- (72) Inventor: **Nada Sawaya**, New York, NY (US)
- (73) Assignee: **NADA SAWAYA**, New York, NY (US)
- (**) Term: **15 Years**
- (21) Appl. No.: **29/706,838**
- (22) Filed: **Sep. 24, 2019**
- (51) **LOC (13) Cl.** **03-01**
- (52) **U.S. Cl.**
USPC **D3/240**
- (58) **Field of Classification Search**
USPC D3/232–233, 240–243, 245–246
CPC A45C 1/024; A45C 3/06; A45C 3/08
See application file for complete search history.

- D822,986 S * 7/2018 Viger D3/246
- D833,736 S * 11/2018 Voll D3/217
- D868,390 S * 11/2019 Santo Domingo D30/109

* cited by examiner

Primary Examiner — Holly H Baynham

(56) **References Cited**

U.S. PATENT DOCUMENTS

- D757,426 S * 5/2016 Molina D3/232
- D761,012 S * 7/2016 Quarless D3/232

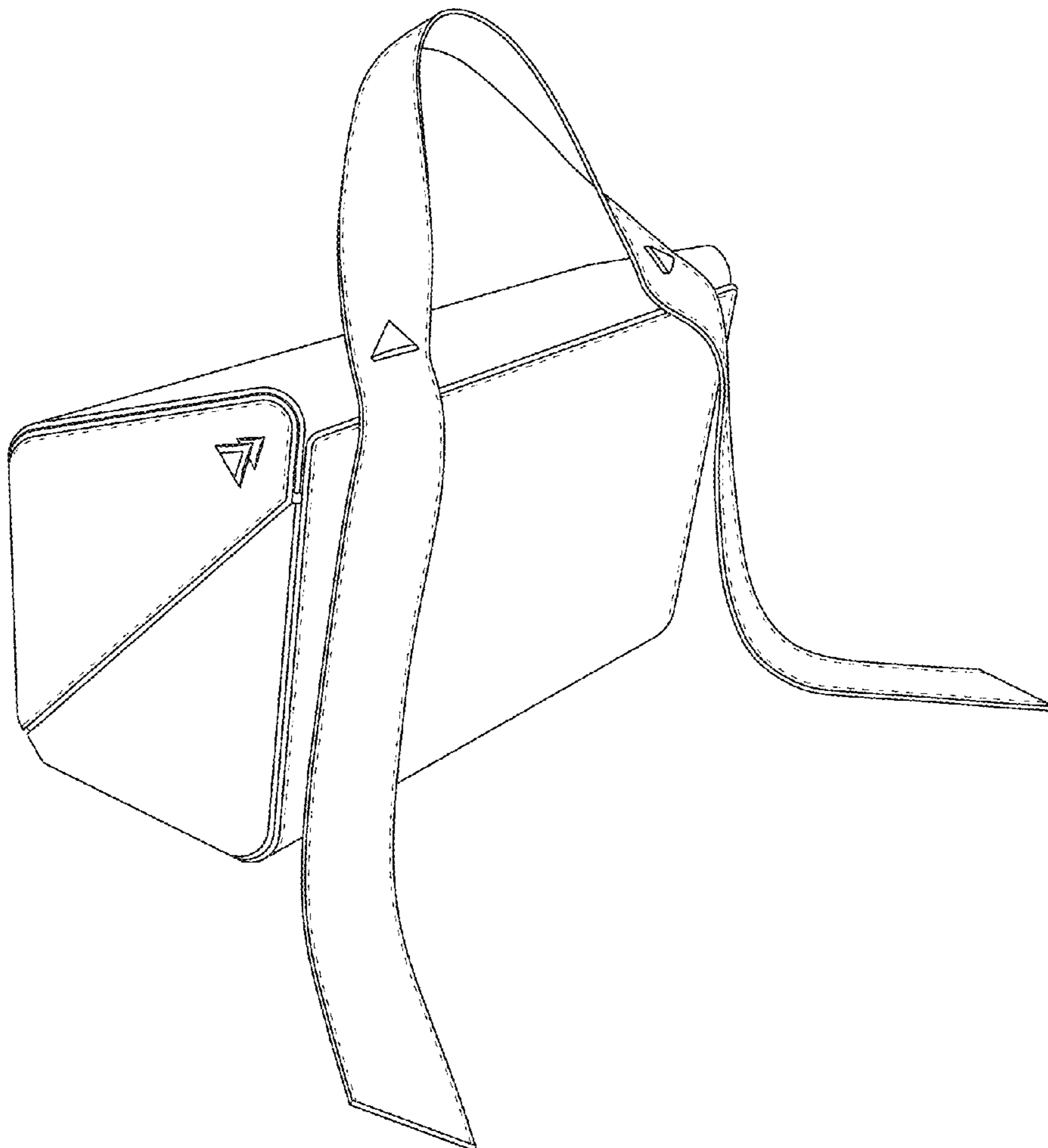
(57) **CLAIM**

The ornamental design for a bag, as shown and described.

DESCRIPTION

FIG. 1 is a bag according to the present application.
 FIG. 2 is a front view of the bag.
 FIG. 3 is a back view of the bag.
 FIG. 4 is a left view of the bag; and,
 FIG. 5 is a right view of the bag.
 The broken lines showing stitching are part of the claimed design.
 The undisclosed bottom plan view is planar and unornamented.

1 Claim, 5 Drawing Sheets



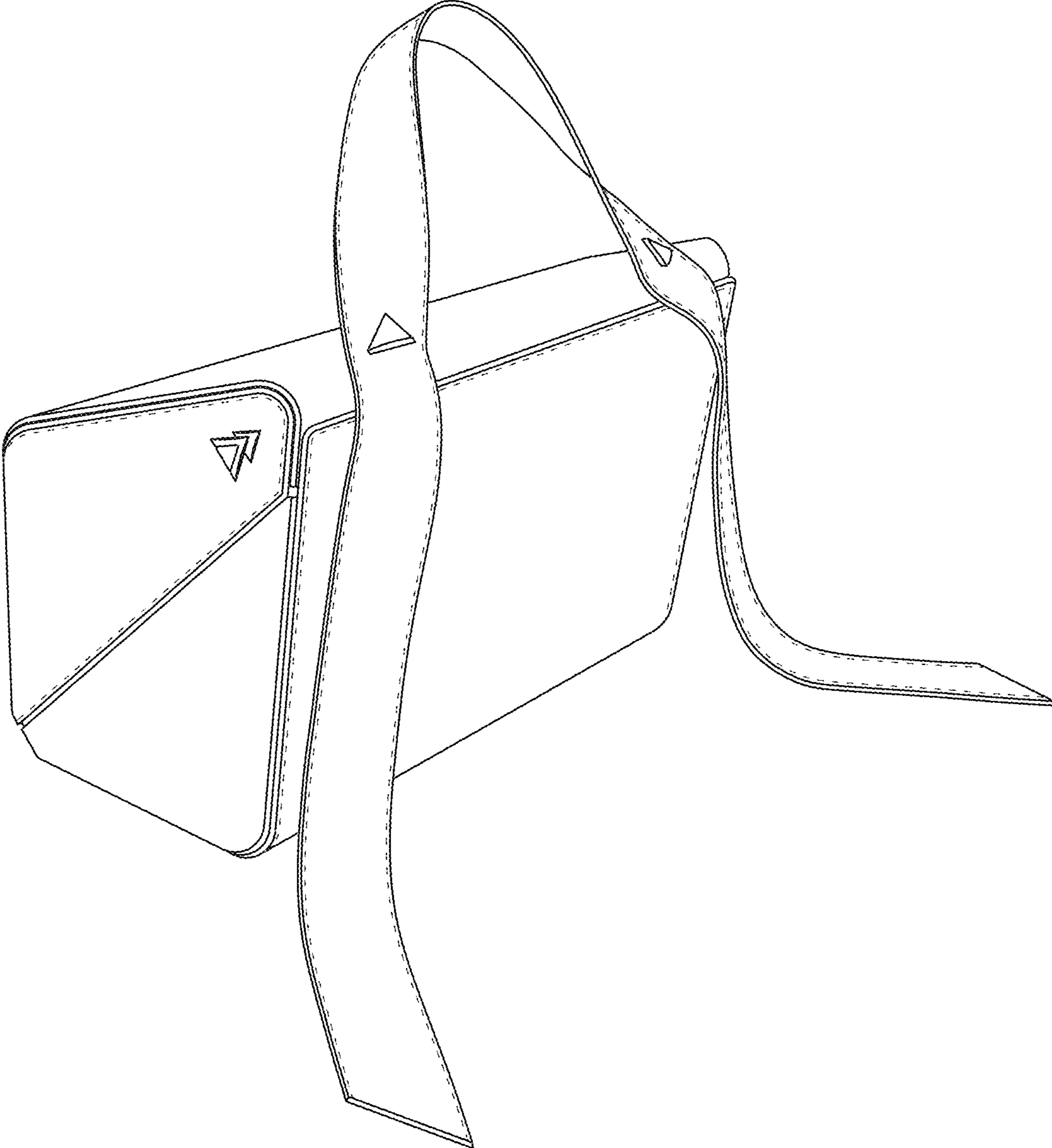


FIG. 1

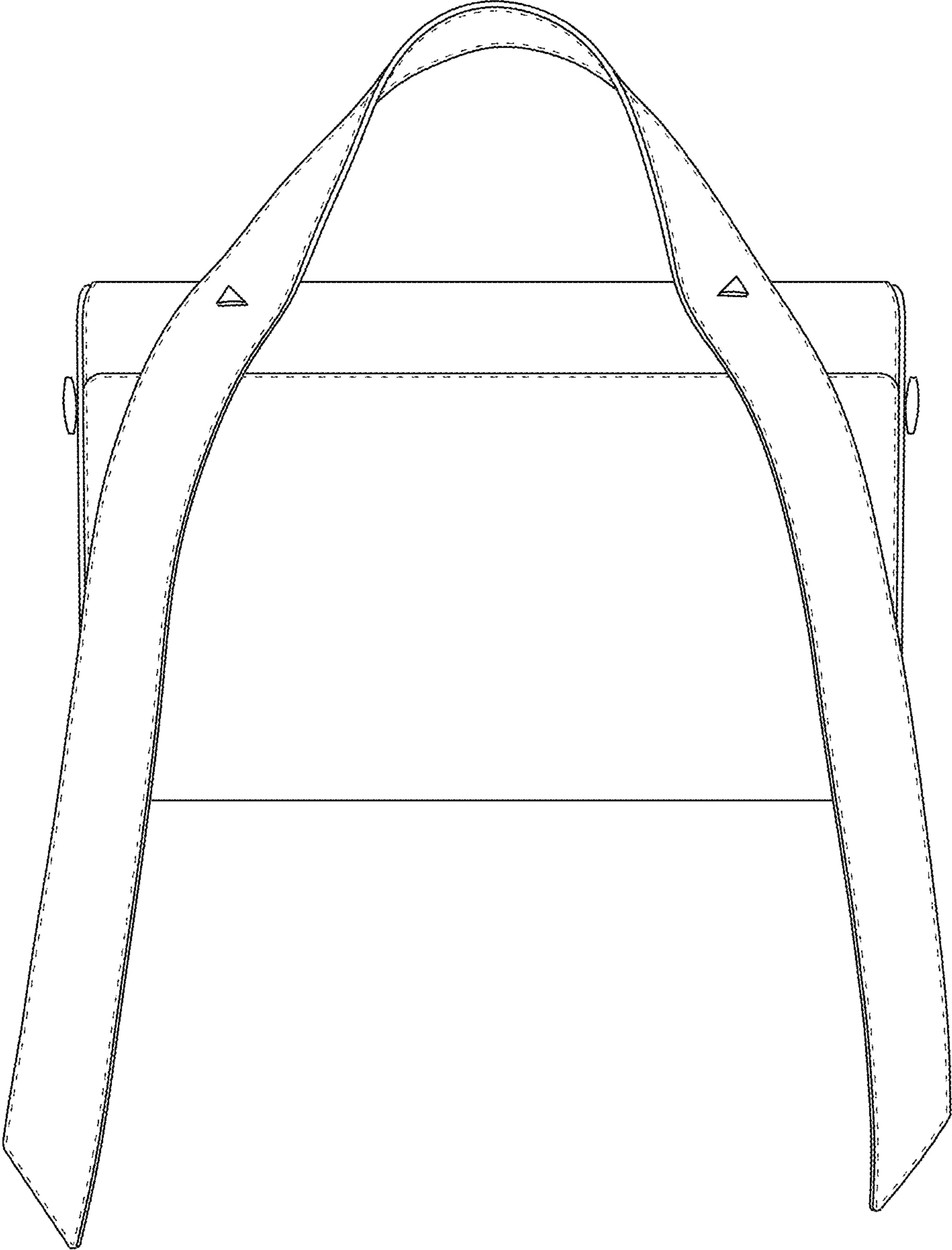


FIG. 2



FIG. 3

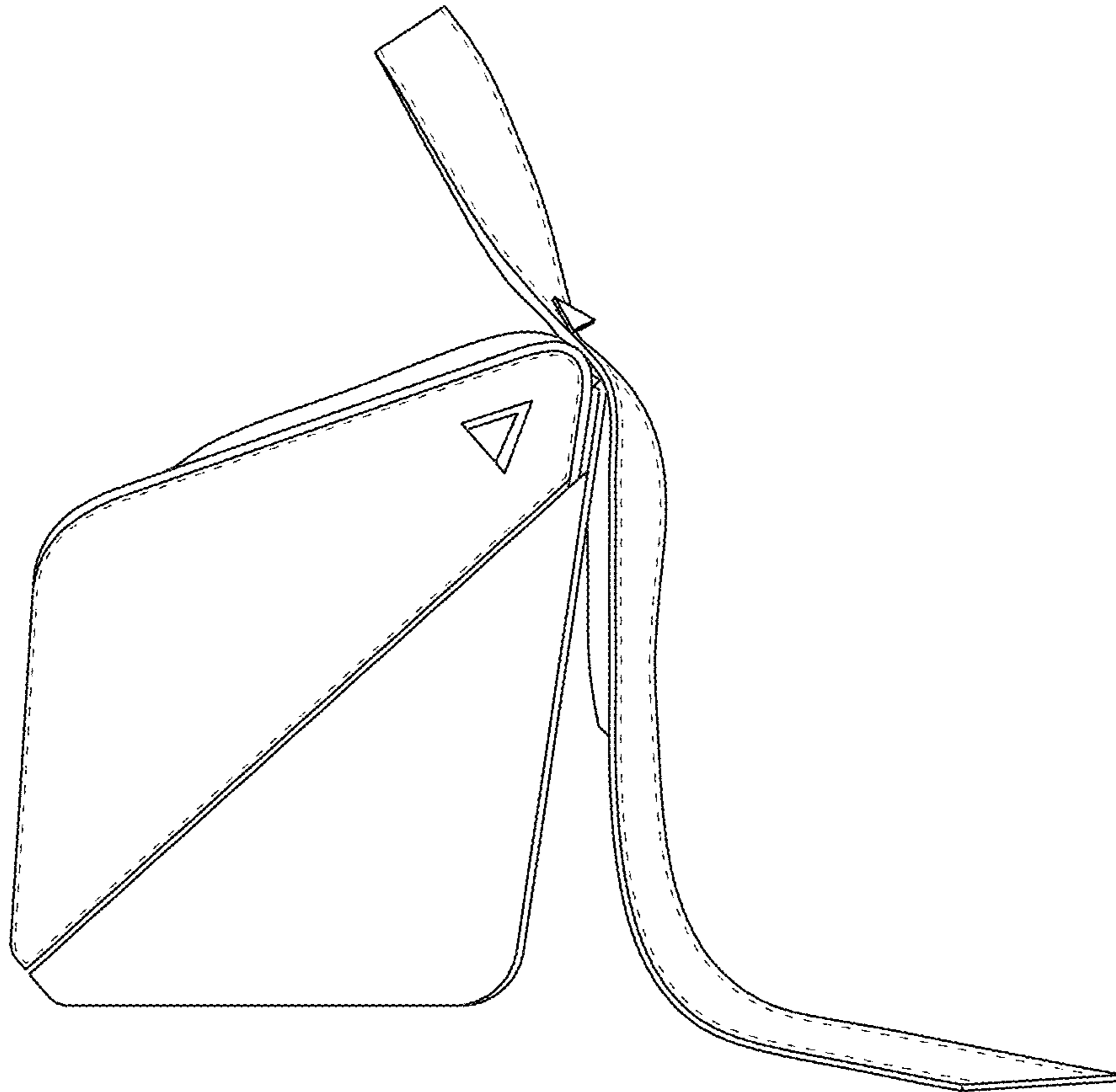


FIG. 4

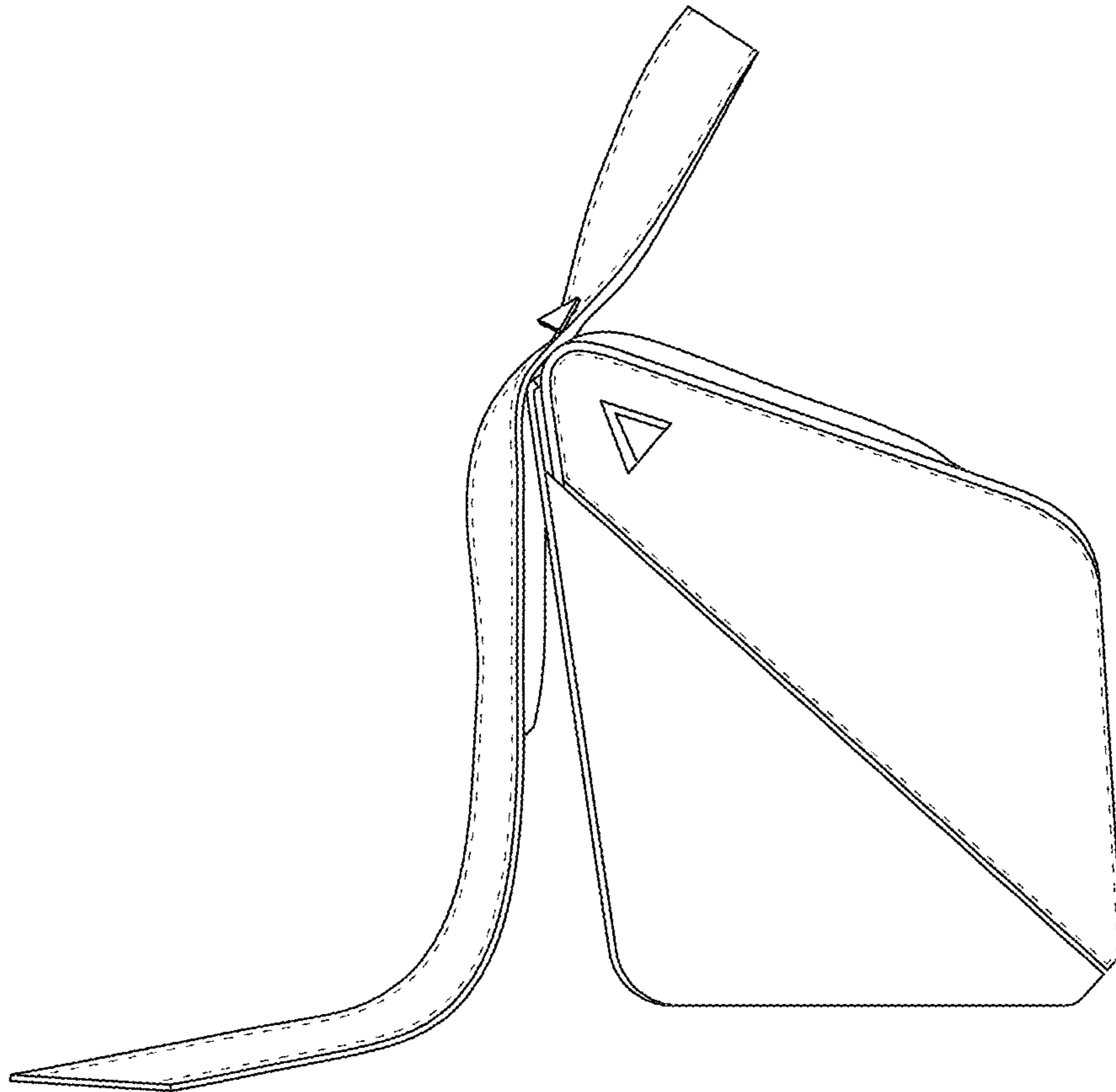


FIG. 5