



US00D907891S

(12) **United States Design Patent**  
**Zheng**

(10) **Patent No.:** **US D907,891 S**

(45) **Date of Patent:** **\*\* Jan. 19, 2021**

(54) **CAR FENDER**

(71) Applicant: **Jumei Zheng**, Wuhu (CN)

(72) Inventor: **Jumei Zheng**, Wuhu (CN)

(\*\*) Term: **15 Years**

(21) Appl. No.: **29/752,398**

(22) Filed: **Sep. 27, 2020**

(51) **LOC (13) Cl.** ..... **12-16**

(52) **U.S. Cl.**  
USPC ..... **D2/181**

(58) **Field of Classification Search**  
USPC .... D12/181, 90-93, 96, 163, 164, 171, 196,  
D12/182-184, 191, 400; D15/14-18, 23,  
D15/28, 31

CPC ..... B32B 3/00; B60J 5/00; B60J 5/02; B60J  
5/10

See application file for complete search history.

(56) **References Cited**

**U.S. PATENT DOCUMENTS**

1,332,142 A *	2/1920	Olson	.....	B60R 19/023	293/150
D777,629 S	1/2017	Lindsey			
D784,200 S	4/2017	Dunshee et al.			
D784,877 S *	4/2017	Lee	.....	D12/181	
D816,559 S *	5/2018	McMahan	.....	D12/169	
D816,562 S *	5/2018	Whitla	.....	D12/169	
D845,196 S *	4/2019	Kozub	.....	D12/172	

D868,656 S *	12/2019	De Leon	.....	D12/181	
D870,619 S *	12/2019	Gifford	.....	D12/181	
D871,984 S *	1/2020	Munsell	.....	D12/181	
D875,004 S *	2/2020	Chiang	.....	D12/181	
D891,334 S *	7/2020	Woodhouse	.....	D12/181	
D897,915 S *	10/2020	Ruiz	.....	D12/181	
D899,329 S *	10/2020	Imai	.....	D12/181	
D899,980 S *	10/2020	von Holzhausen	.....	D12/181	
D900,688 S *	11/2020	von Holzhausen	.....	D12/181	
D901,346 S *	11/2020	Burki	.....	D12/181	

\* cited by examiner

*Primary Examiner* — Katrina A Betton

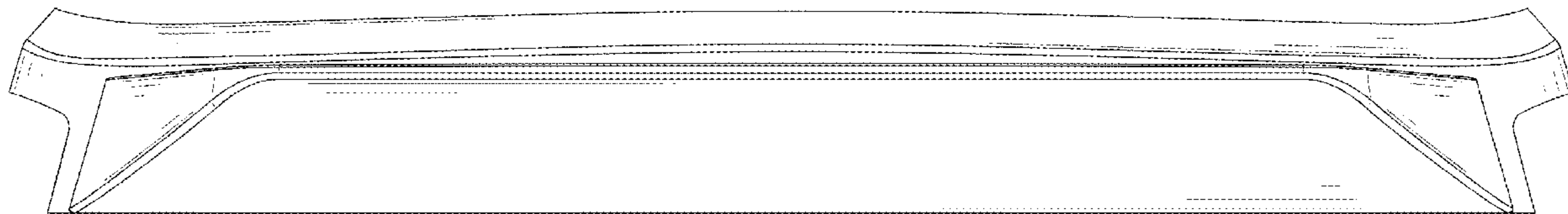
(57) **CLAIM**

The ornamental design for a car fender, as shown and described.

**DESCRIPTION**

FIG. 1 is a perspective view of a car fender showing my new design;  
FIG. 2 is another perspective view thereof;  
FIG. 3 is a front elevational view thereof;  
FIG. 4 is a rear elevational view thereof;  
FIG. 5 is a left side elevational view thereof;  
FIG. 6 is a right side elevational view thereof;  
FIG. 7 is a top plan view thereof; and,  
FIG. 8 is a bottom plan view thereof.

**1 Claim, 8 Drawing Sheets**



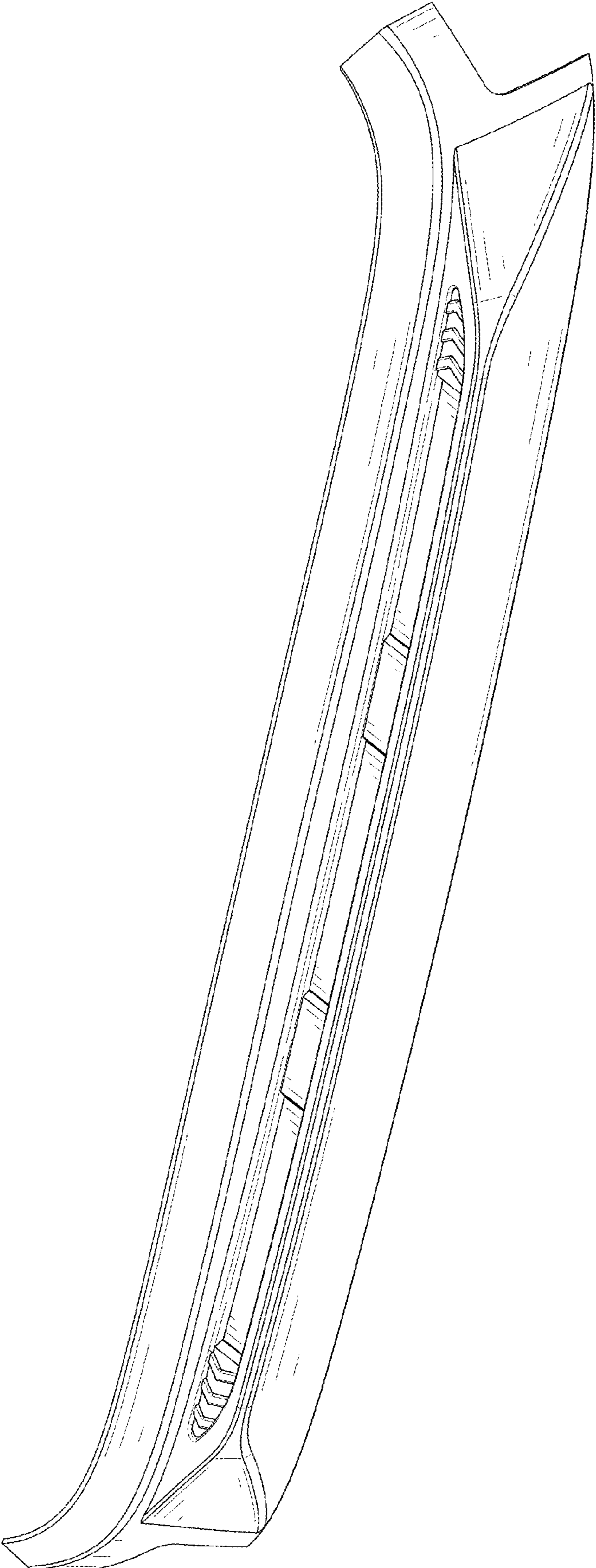


FIG. 1

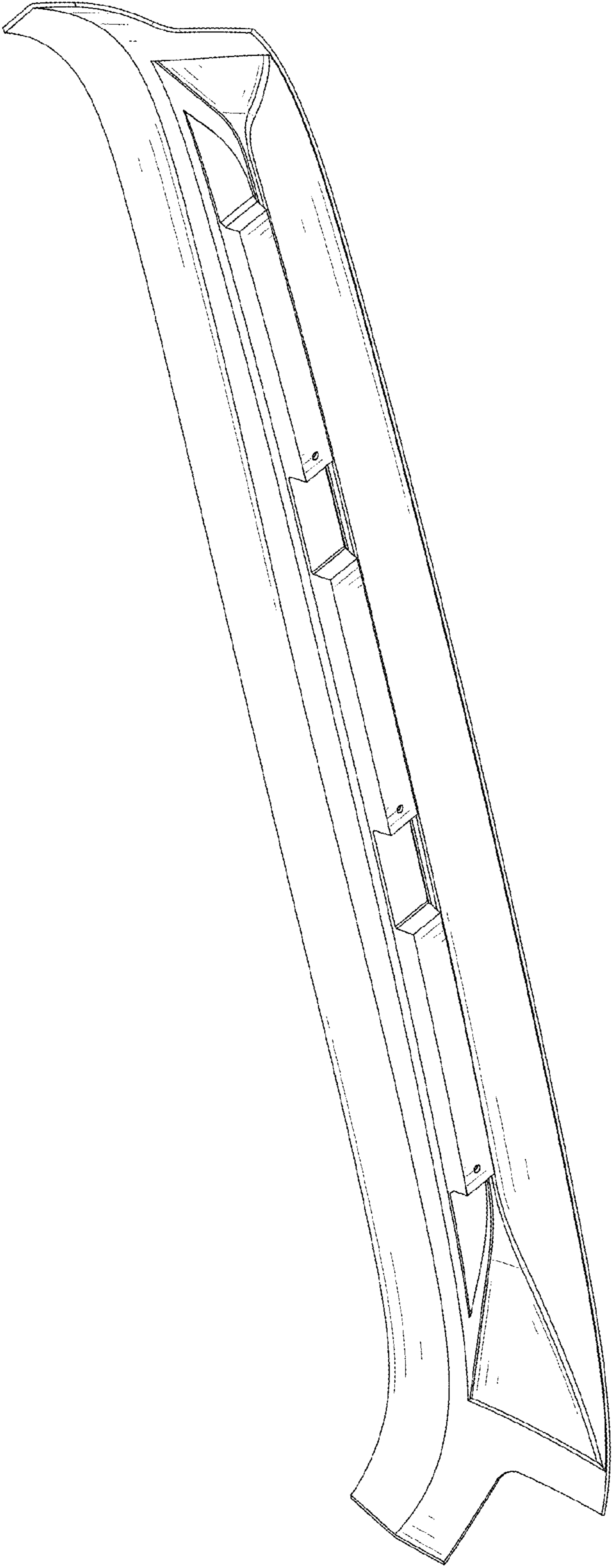


FIG. 2

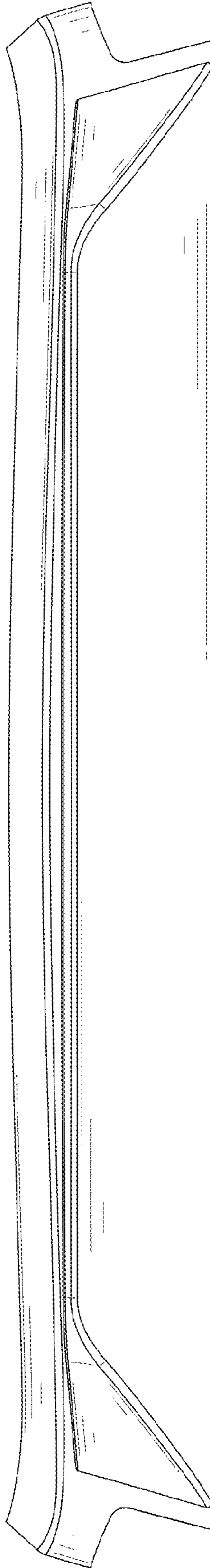


FIG. 3

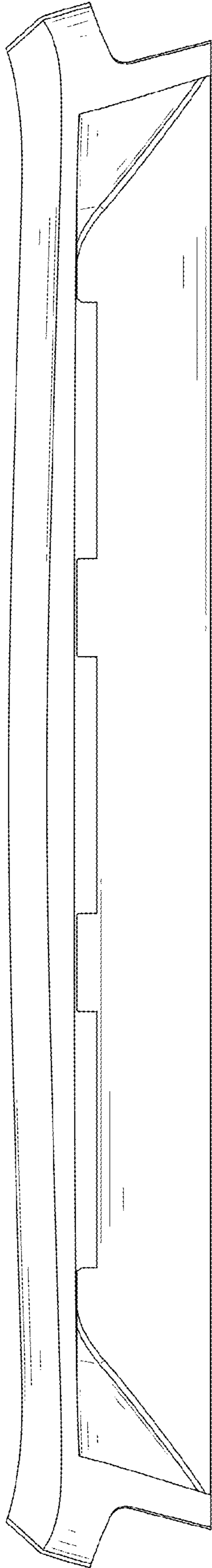


FIG. 4

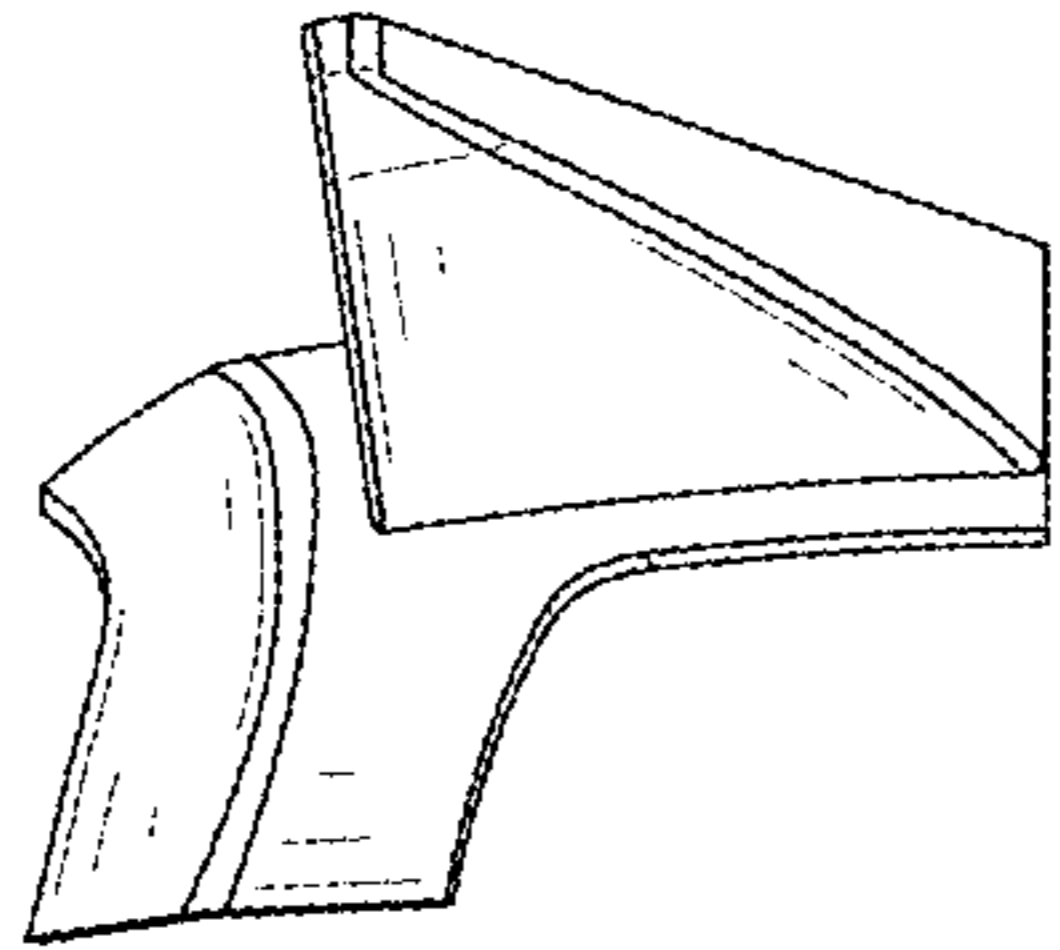


FIG. 5

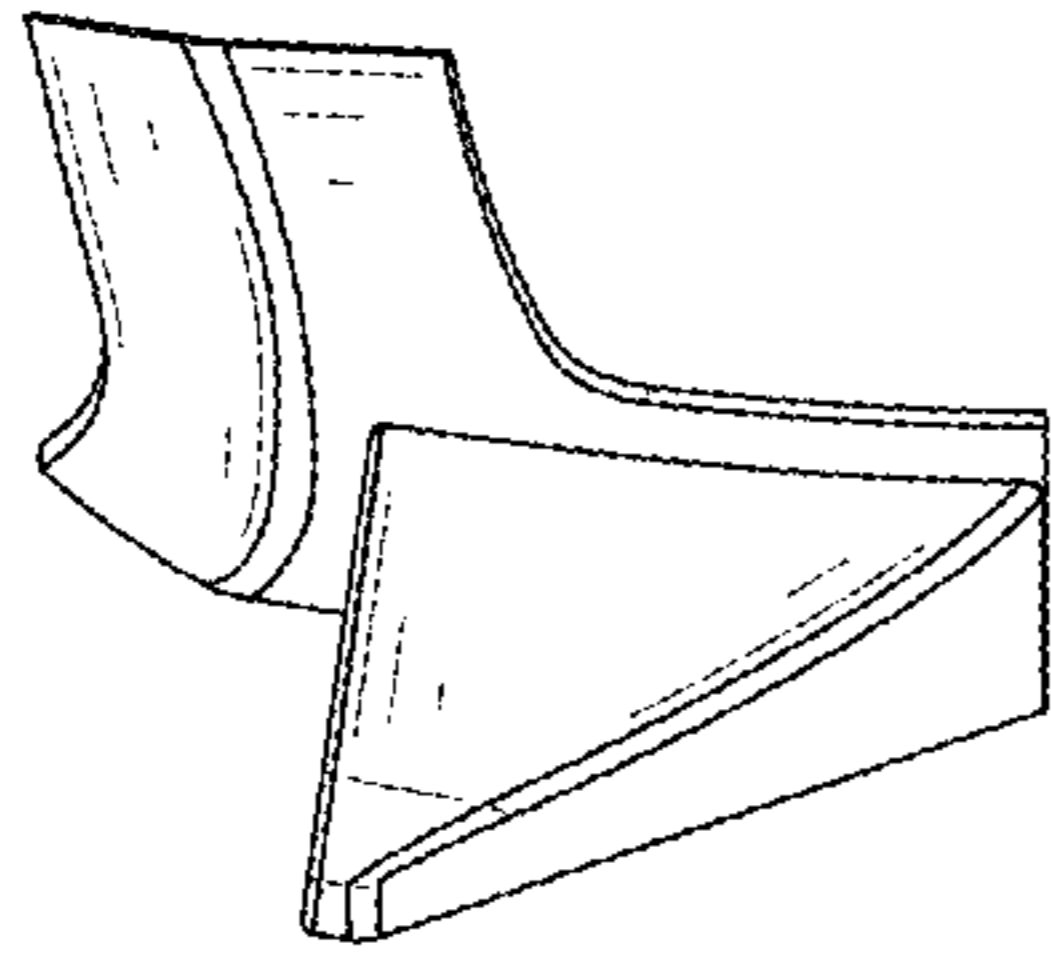


FIG. 6



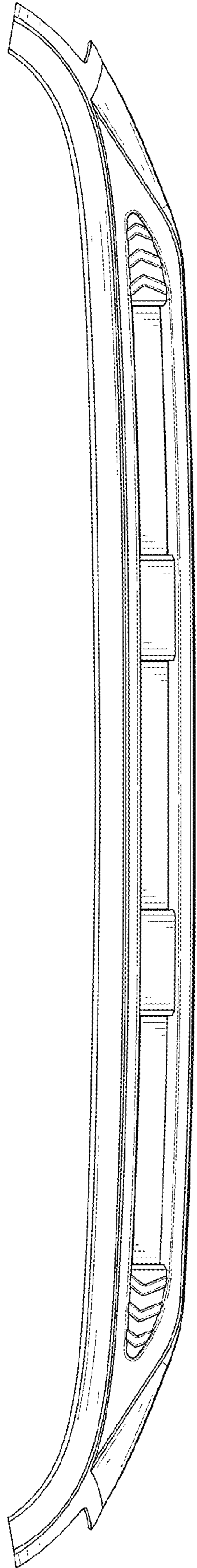


FIG. 7



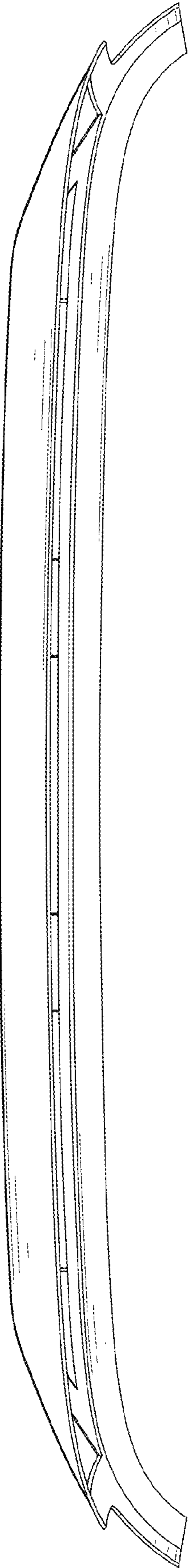


FIG. 8