



US00D907888S

(12) **United States Design Patent**
Stanko et al.

(10) **Patent No.:** **US D907,888 S**
(45) **Date of Patent:** **** Jan. 19, 2021**

(54) **PRESSED SHREDDED POTATO BOWL**

(71) Applicant: **Lamb Weston, Inc.**, Eagle, ID (US)

(72) Inventors: **Maryann Stanko**, Richland, WA (US);
Clifford Hoye, Jr., Richland, WA (US);
Grayden Howard, Richland, WA (US)

(73) Assignee: **Lamb Weston, Inc.**, Eagle, ID (US)

(**) Term: **15 Years**

(21) Appl. No.: **29/696,276**

(22) Filed: **Jun. 26, 2019**

(51) **LOC (13) Cl.** **01-01**

(52) **U.S. Cl.**
USPC **D1/122; D1/130**

(58) **Field of Classification Search**
USPC D1/100–130, 199; D7/504, 509, 510,
D7/523, 524, 543, 555, 566, 568,
D7/584–587, 602, 605, 672, 300.1;
D21/386, 672, 803, 821; D19/91;
426/92, 94, 95, 99, 101, 138–139, 143,
426/279, 282, 283, 391, 514; D11/146,
D11/151, 154, 78, 131, 141, 152;
D14/480.5, 484.1; D25/119, 121, 126;
D30/160; 220/566; D34/28, 29
(Continued)

(56) **References Cited**

U.S. PATENT DOCUMENTS

2,862,040 A * 11/1958 Curran H02G 3/0616
174/51
D395,937 S * 7/1998 Zada D1/122
(Continued)

OTHER PUBLICATIONS

Valerie. “Muffin Tin Hash Brown and Scrambled Egg Cups.”
Valerie’s Kitchen. May 10, 2017. Web. Oct. 1, 2020. <<https://www.fromvalerieskitchen.com/hash-brown-scrambled-egg-cups/>>.*

(Continued)

Primary Examiner — Katie Jane Stofko

(74) *Attorney, Agent, or Firm* — Ryan T. Grace; Advent,
LLP

(57) **CLAIM**

The ornamental design for a pressed shredded potato bowl,
as shown and described.

DESCRIPTION

FIG. 1 is an isometric view of a pressed shredded potato
bowl.

FIG. 2 is a top plan view of the pressed shredded potato bowl
of FIG. 1.

FIG. 3 is a bottom view of the pressed shredded potato bowl
of FIG. 1.

FIG. 4 is a front elevation view of the pressed shredded
potato bowl of FIG. 1.

FIG. 5 is a rear elevation view of the pressed shredded potato
bowl of FIG. 1.

FIG. 6 is a left side elevation view of the pressed shredded
potato bowl of FIG. 1.

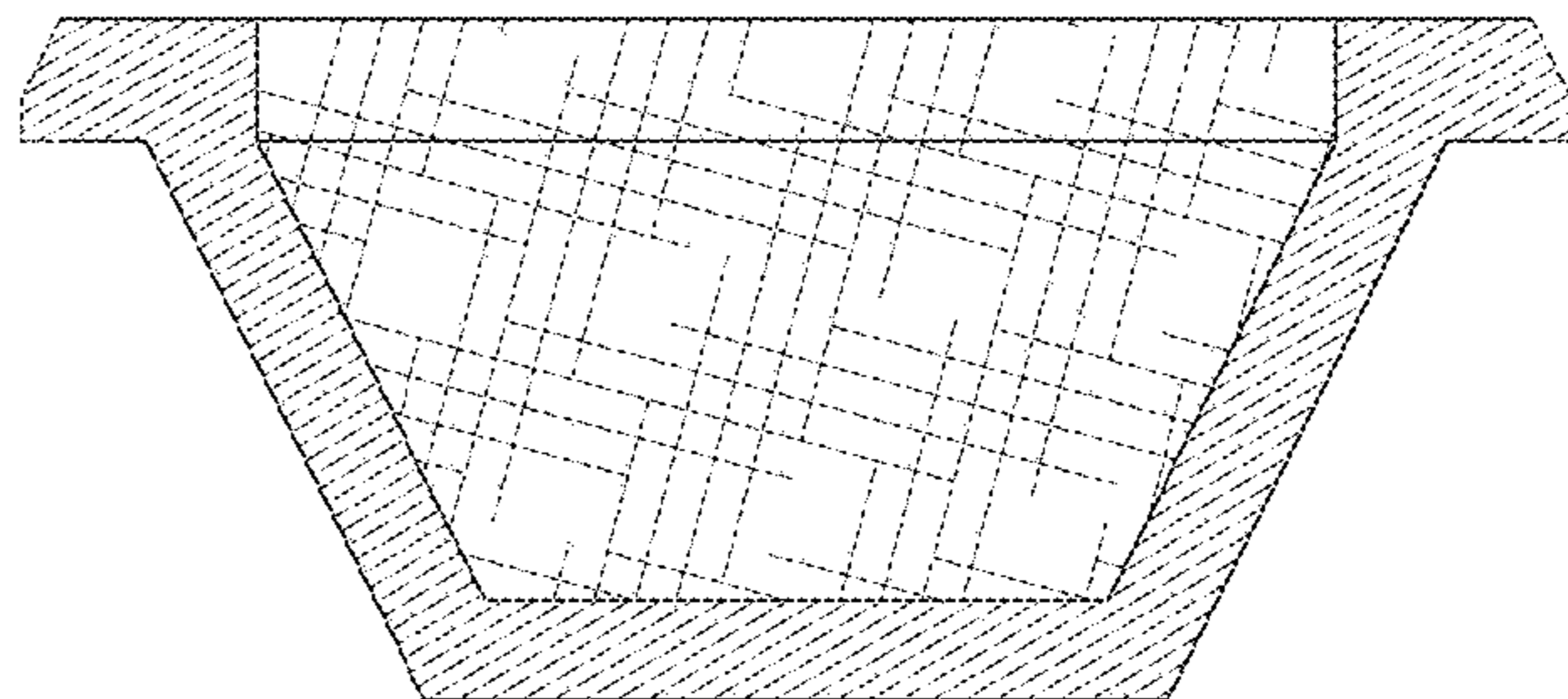
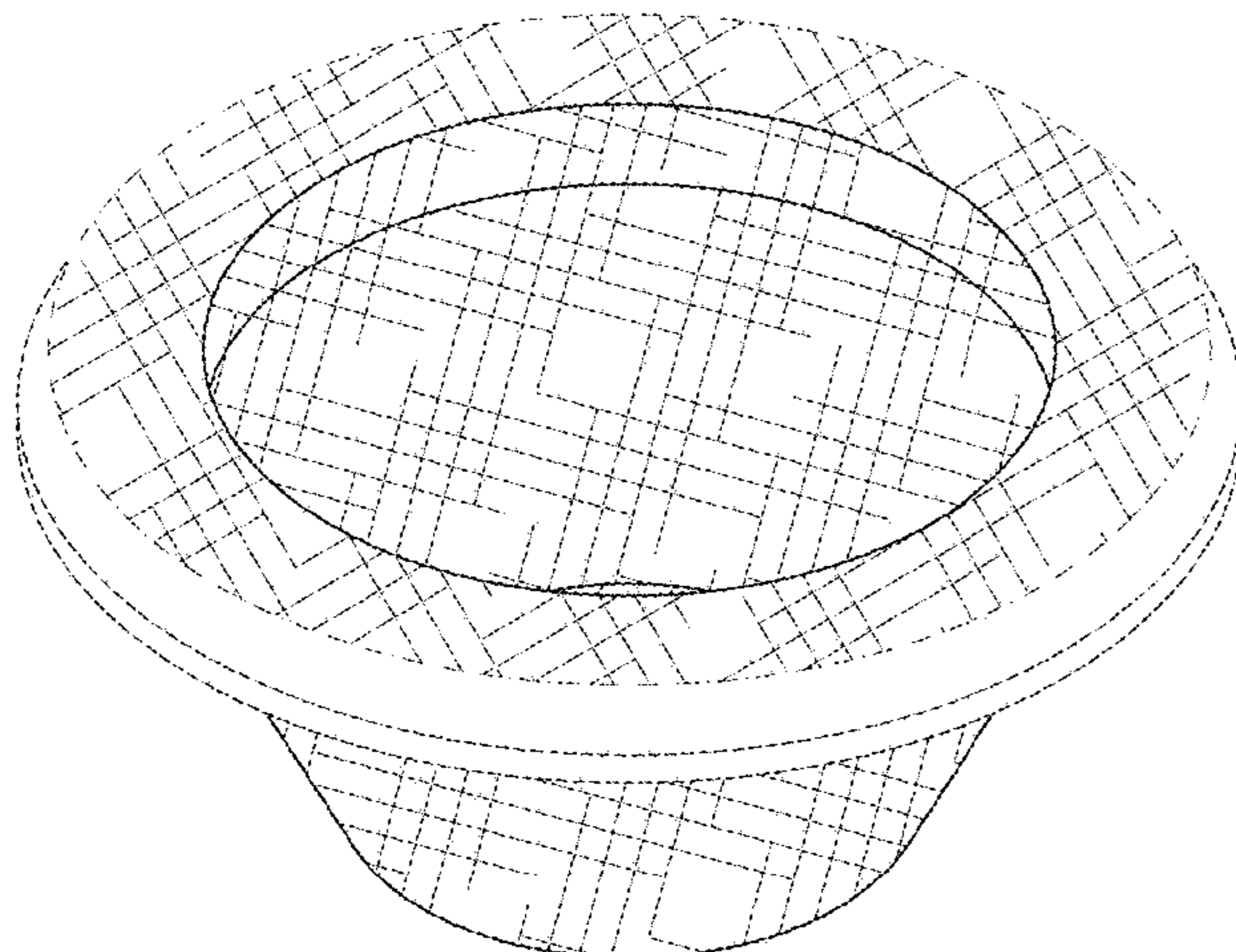
FIG. 7 is a right side elevation view of the pressed shredded
potato bowl of FIG. 1; and,

FIG. 8 is a cross-sectional elevation view of the pressed
shredded potato bowl of FIG. 1 taken on the line 8-8 in FIG.
1.

The pattern shown indicates the contribution of pressed,
shredded potato pieces to the appearance of the pressed
shredded potato bowl.

The evenly-spaced broken lines shown in the drawings
illustrate portions of the pressed shredded potato bowl that
form no part of the claimed design. The dash-dot-dash
broken lines in the drawings illustrate the boundary of the
claimed design which forms no part thereof.

1 Claim, 6 Drawing Sheets



(58) **Field of Classification Search**

CPC A21D 13/0029; A21D 13/0074; A21D
13/0022; A21D 13/0006; A23L 1/1641;
A23L 1/005

See application file for complete search history.

D770,233 S * 11/2016 Raphael D7/584
D815,915 S * 4/2018 Raphael D7/584
D869,240 S * 12/2019 Modi D7/584
D884,289 S * 5/2020 Wu D30/129
D885,140 S * 5/2020 Jordan D7/605
2001/0043973 A1* 11/2001 Keck A21D 13/33
426/138

(56) **References Cited**

U.S. PATENT DOCUMENTS

D404,536 S * 1/1999 Hepworth D1/122
5,857,815 A * 1/1999 Bailey B23Q 1/5462
403/122
D478,474 S * 8/2003 Zettle D7/545
D478,780 S * 8/2003 Lugo D7/566
D494,817 S * 8/2004 Rutter D7/543
D499,937 S * 12/2004 Winde-Liu D7/566
D547,125 S * 7/2007 Wasserman D7/545
D643,248 S * 8/2011 Schmidt D7/505
D677,125 S * 3/2013 Montgomery D7/586
D759,342 S * 6/2016 Clements D1/122

OTHER PUBLICATIONS

EM004090082-001 dated Mar. 10, 2017, Soup Culture spzoo.
Explore Marshfield—Mini Cheesy Hash Brown Cups with Little
Spoons and Spice, issued on May 18, 2018 (website: [https://
exploremarshfield.com/mini-cheesy-hash-brown-cups-with-little-
spoons-and-spice](https://exploremarshfield.com/mini-cheesy-hash-brown-cups-with-little-spoons-and-spice), visited on Jun. 9, 2020).
Search Report dated Jun. 9, 2020 of Patent Application No. 108307894.
Design—TartCup, Type of Media: Online; Japanese Office Action
dated Sep. 1, 2020.

* cited by examiner

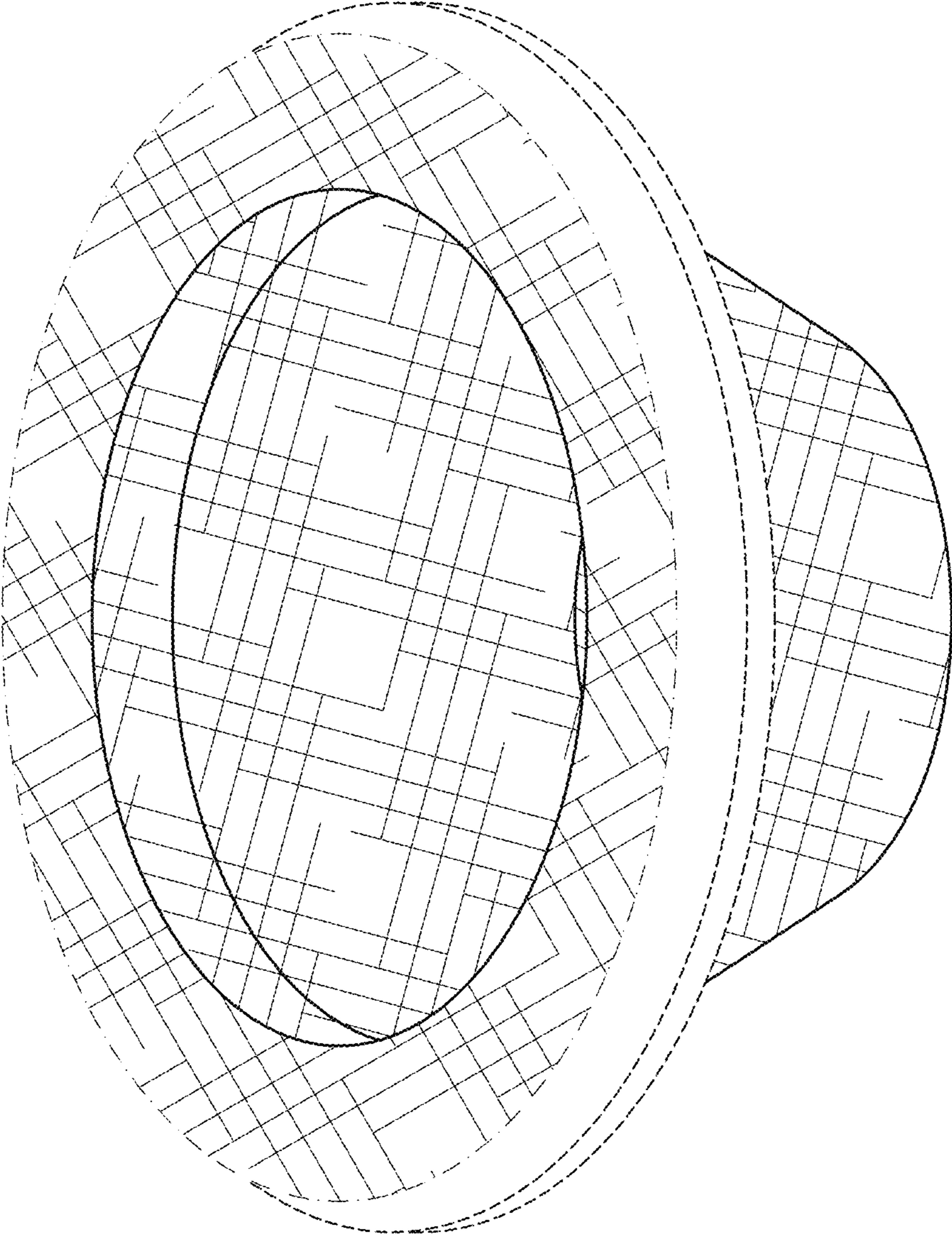


FIG. 1

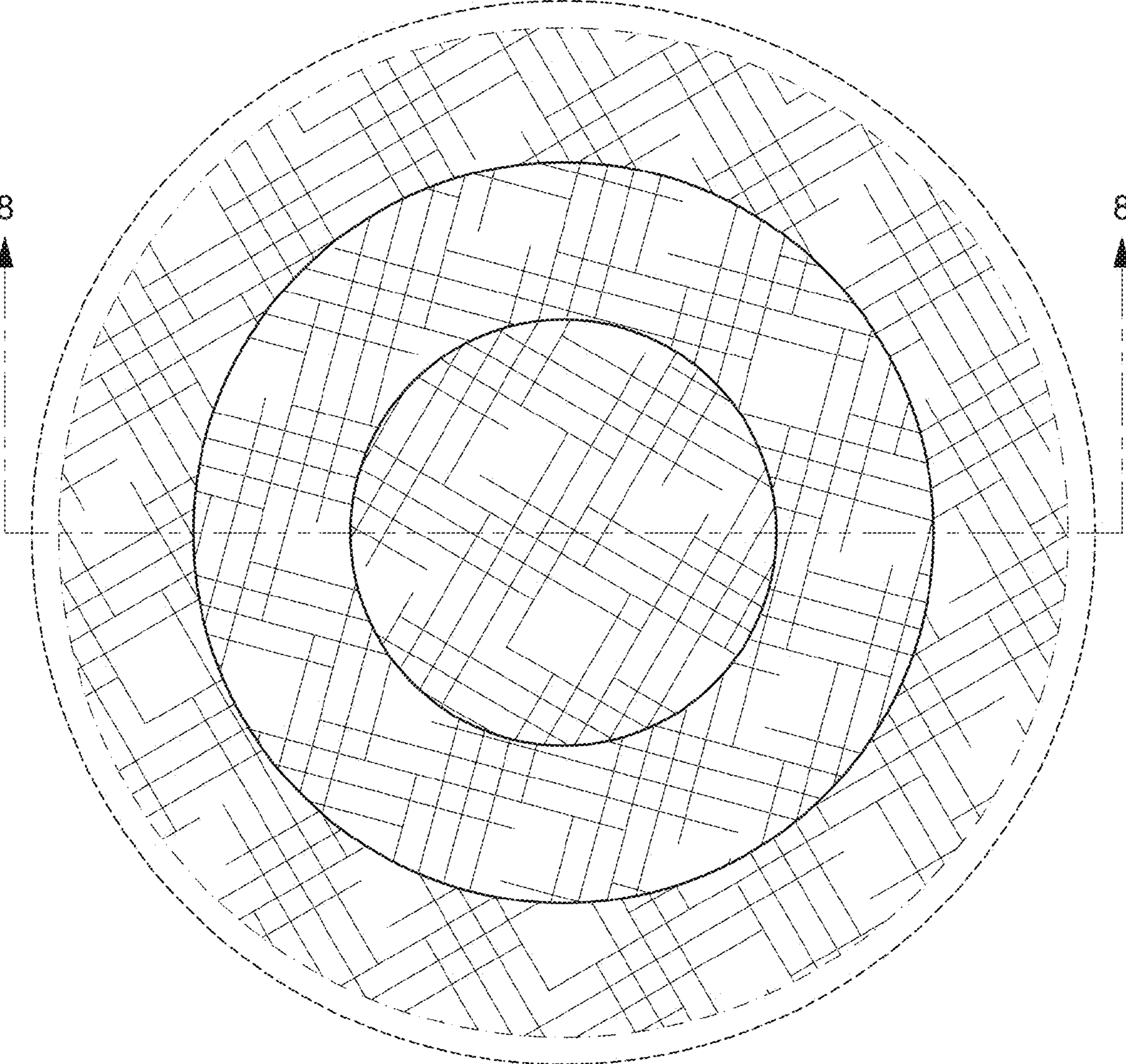


FIG. 2

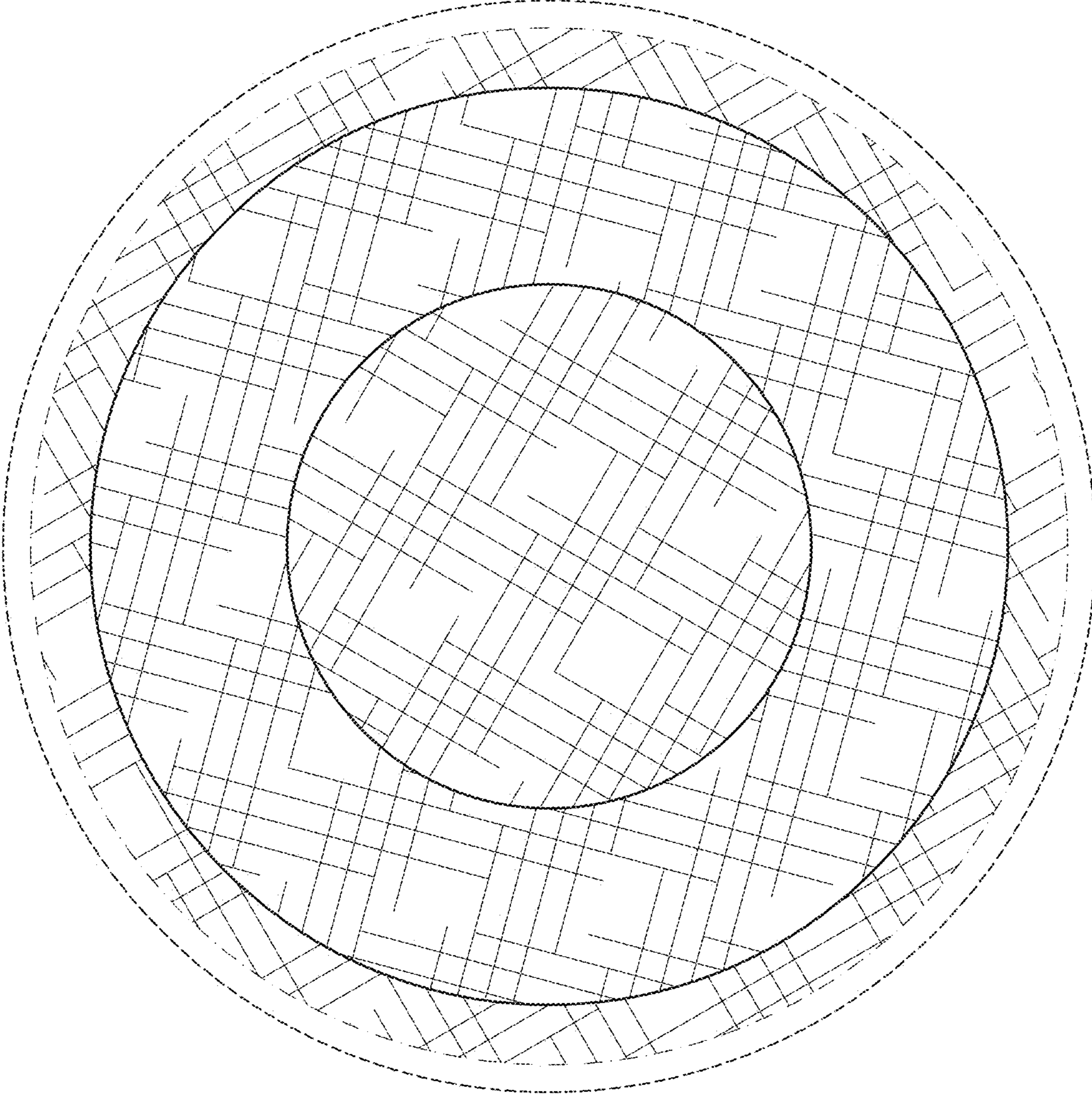


FIG. 3

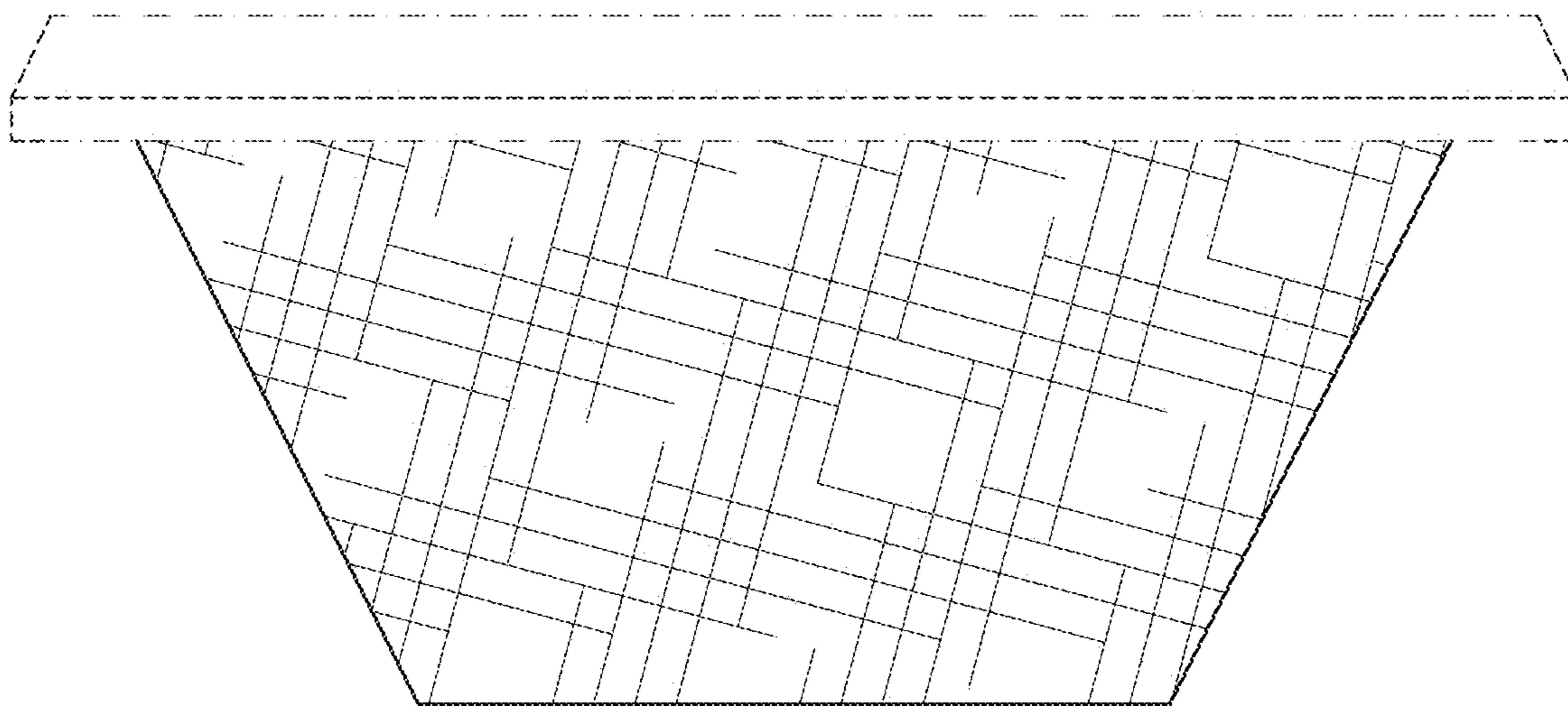


FIG. 4

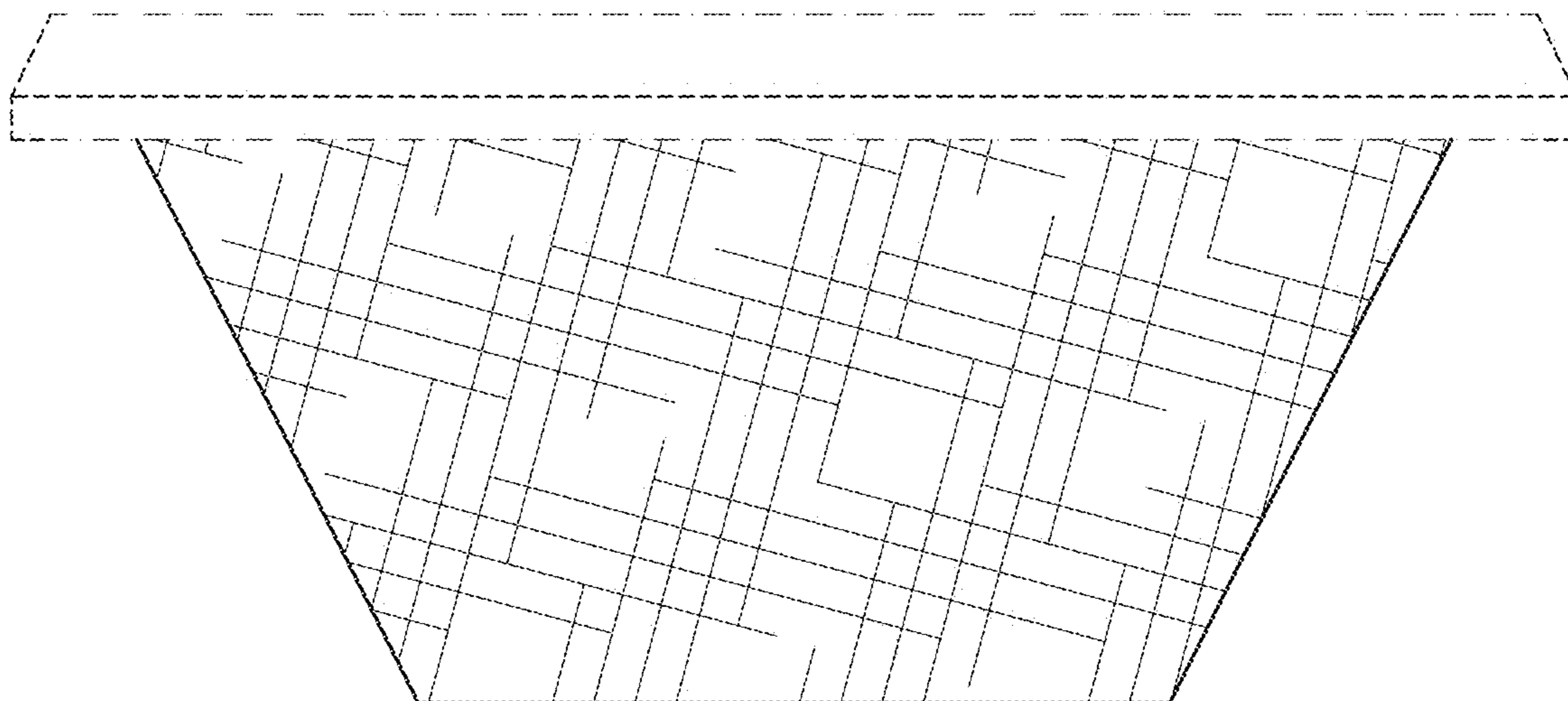


FIG. 5

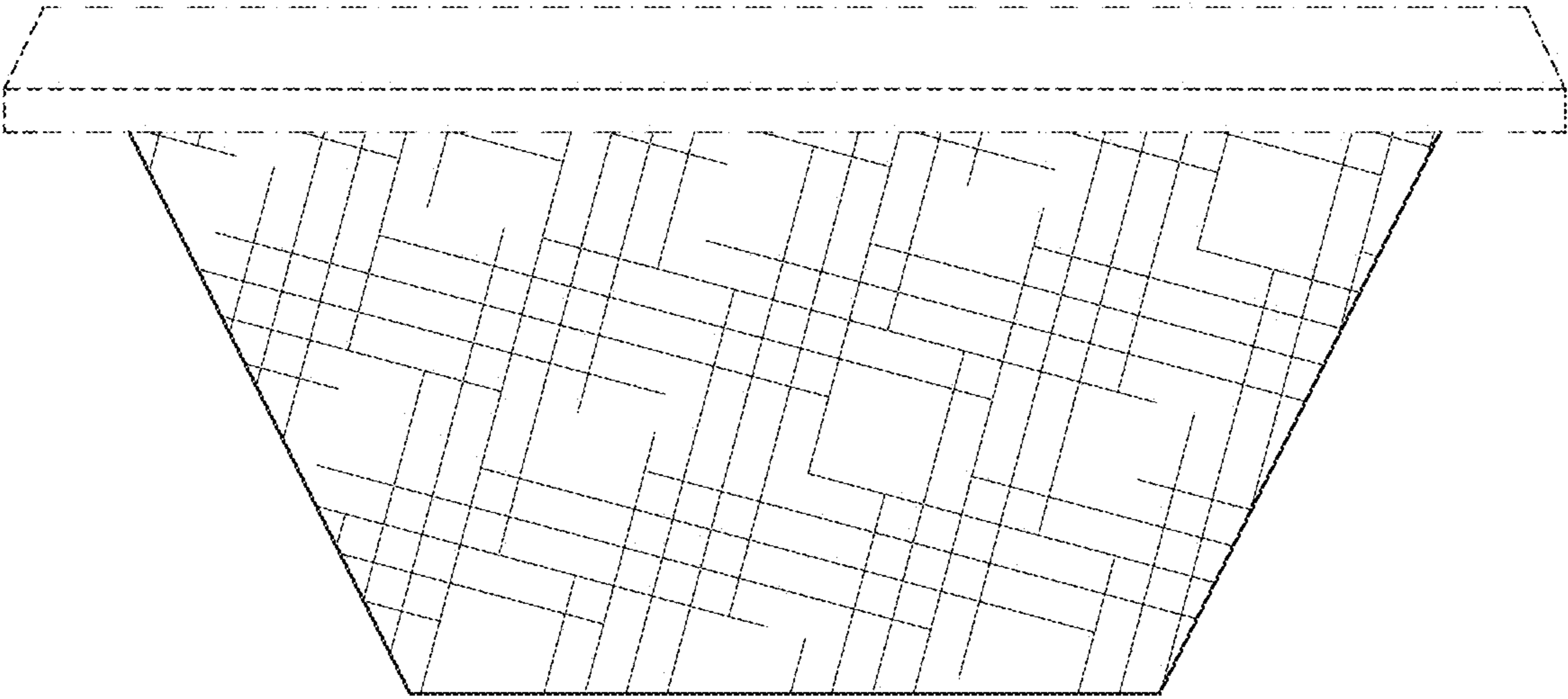


FIG. 6

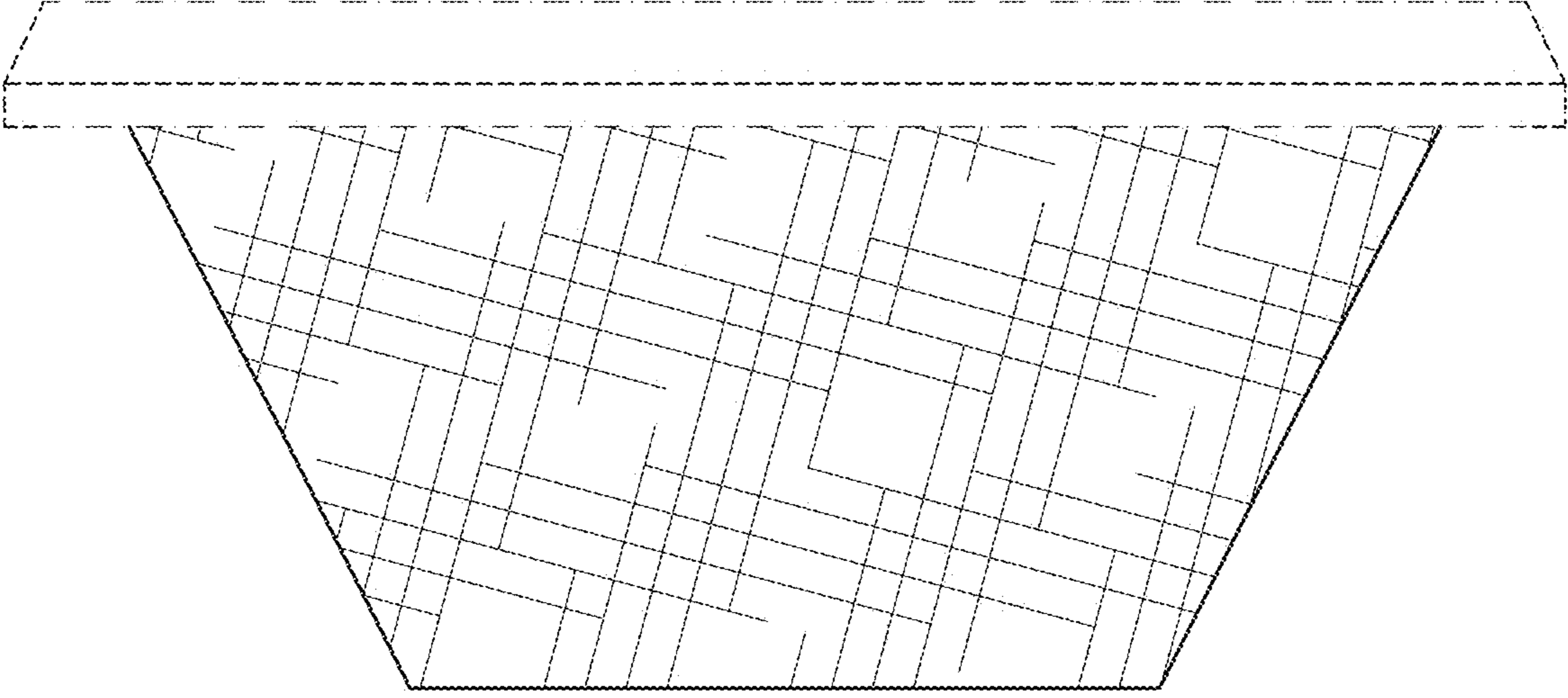


FIG. 7

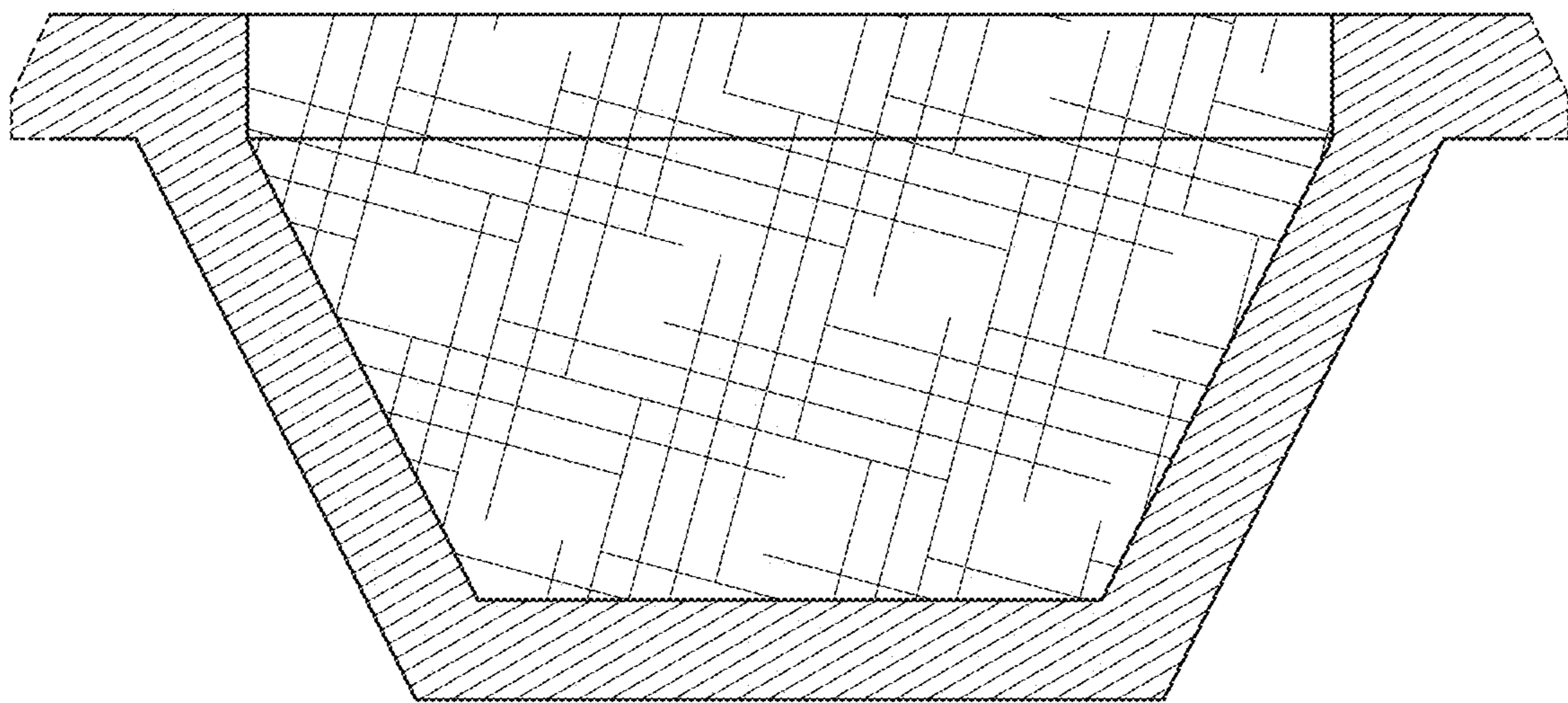


FIG. 8