



US00D907884S

(12) **United States Design Patent** (10) **Patent No.:** **US D907,884 S**
Montes (45) **Date of Patent:** **** Jan. 12, 2021**

(54) **HANDLE LOCK FOR A LIFT JACK**

(71) Applicant: **Agency 6 Inc.**, Roseville, CA (US)
(72) Inventor: **Kenneth Montes**, Roseville, CA (US)
(73) Assignee: **Agency 6 Inc.**, Roseville, CA (US)
(**) Term: **15 Years**

(21) Appl. No.: **29/668,237**

(22) Filed: **Oct. 29, 2018**

(51) **LOC (13) Cl.** **12-05**

(52) **U.S. Cl.**
USPC **D34/35; D8/354; D8/344**

(58) **Field of Classification Search**
USPC **D34/31, 35; D8/344, 356, 354, 382, 396, D8/394, 399, 383**

CPC . **F16G 15/04; B60S 9/08; B66F 13/00; B25G 1/04; B25G 1/02; B25G 1/005; B25G 1/046**

See application file for complete search history.

(56) **References Cited**

U.S. PATENT DOCUMENTS

D260,363 S *	8/1981	Gipson	D8/333
D383,050 S *	9/1997	Palmer	D8/354
D532,576 S *	11/2006	Simpson	D34/31
D706,512 S *	6/2014	Harrah	D34/31
D887,816 S *	6/2020	Marsden	D8/331

OTHER PUBLICATIONS

Google search-Jack Handle Keeper for Hi-Lift Jacks,,<https://agency6.com/collections/jack-handle-keeper/products/jack-handle-keeper-for-hi-lift-jacks-black-powder-coat>, Aug. 4, 2020 (Year: 2020).*

Amazon.com, "Hi-Lift Off Road Jack Handle Keeper Isolator (Black)," <http://a.co/d/hvyPalg>, Amazon earliest customer review lists date as Jun. 29, 2018.

Amazon.com, "Hi-Lift Jack HK-B Black Handle-Keeper," <http://a.co/d/4n0RTn1>, Amazon earliest customer review lists date as Jan. 10, 2008.

* cited by examiner

Primary Examiner — Cynthia Ramirez

(74) *Attorney, Agent, or Firm* — Law Office of Andrei D Popovici, PC

(57) **CLAIM**

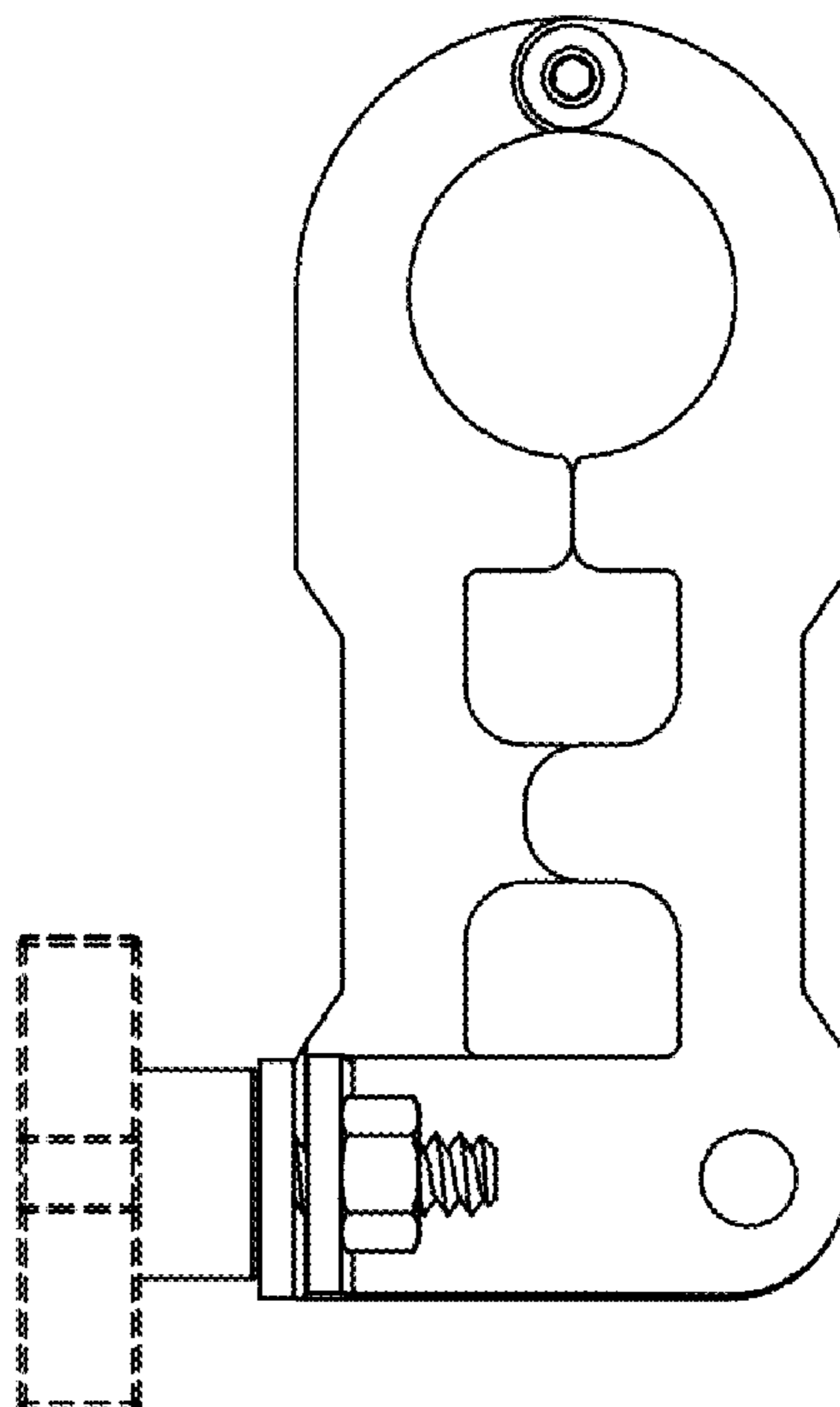
The ornamental design for a handle lock for a lift jack, as shown and described.

DESCRIPTION

FIG. 1 shows a front view of a handle lock for a lift jack. FIG. 2 is a bottom view of a handle lock for a lift jack. FIG. 3 is a top view of a handle lock for a lift jack. FIG. 4 is a rear view of a handle lock for a lift jack. FIG. 5 is a first side view of a handle lock for a lift jack. FIG. 6 is a second side view of a handle lock for a lift jack. FIG. 7 is a top isometric view of a handle lock for a lift jack; and, FIG. 8 shows a bottom isometric view of a handle lock for a lift jack.

Broken lines denote unclaimed subject matter illustrating the environment of the claimed design and form no part of the claimed design.

1 Claim, 4 Drawing Sheets



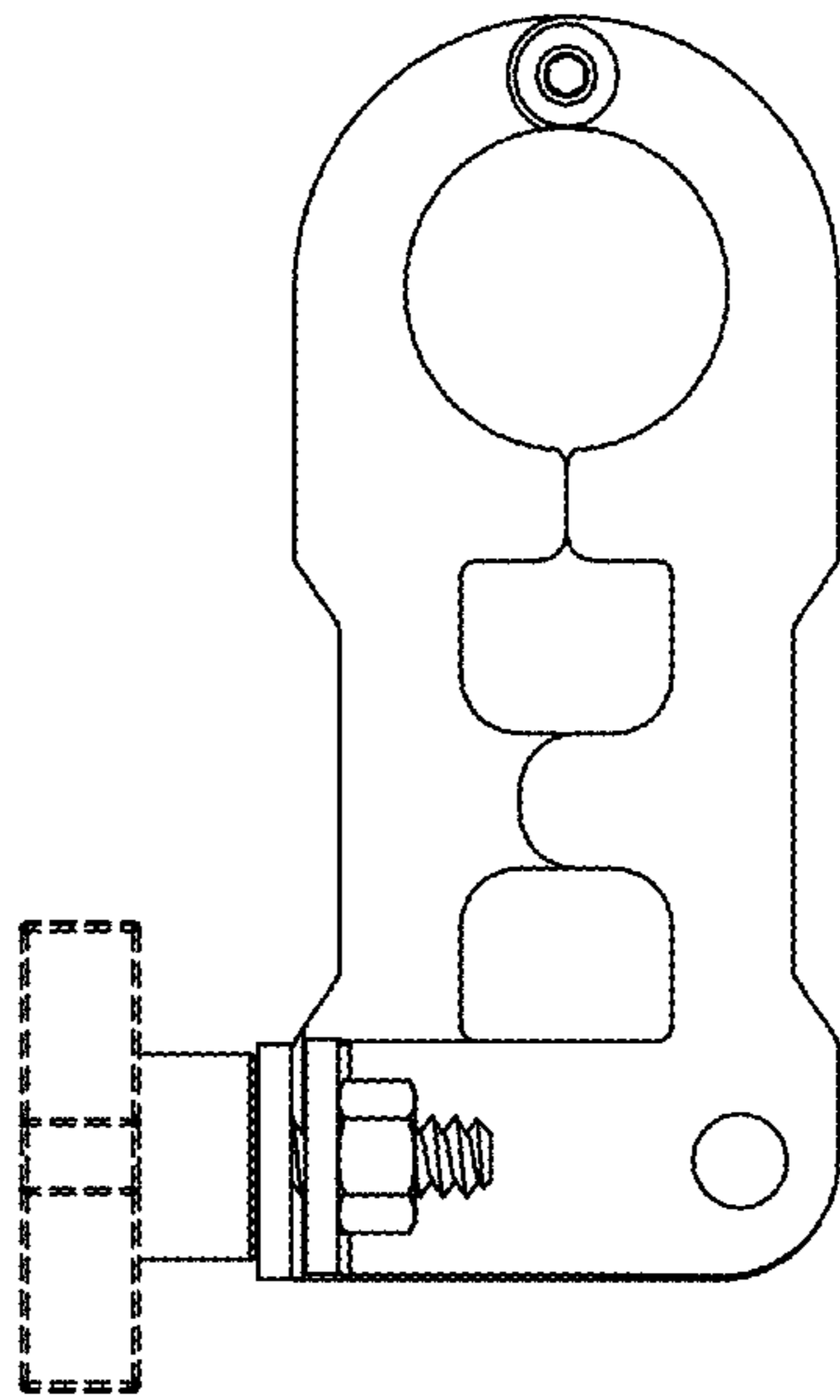


FIG. 1

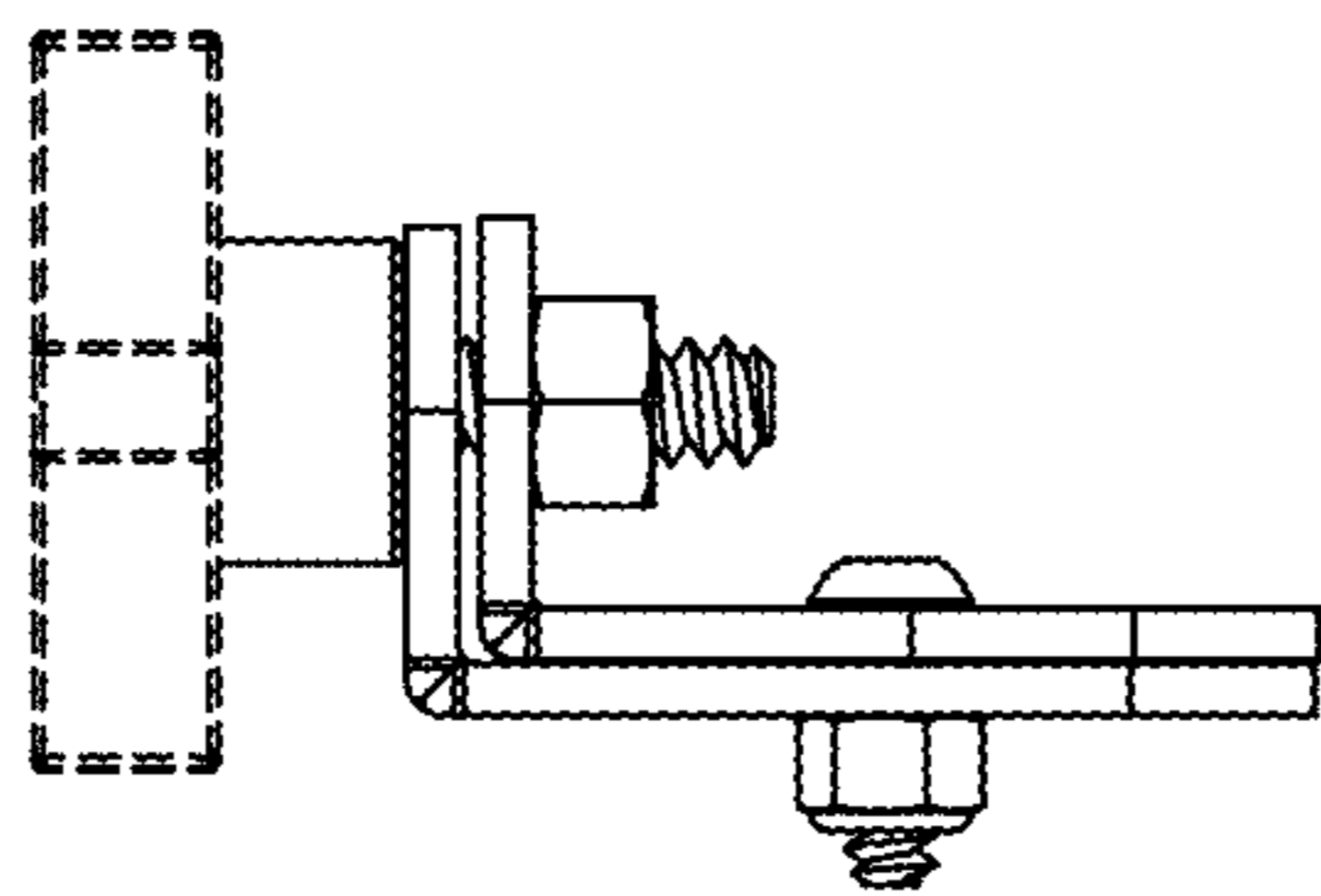


FIG. 2

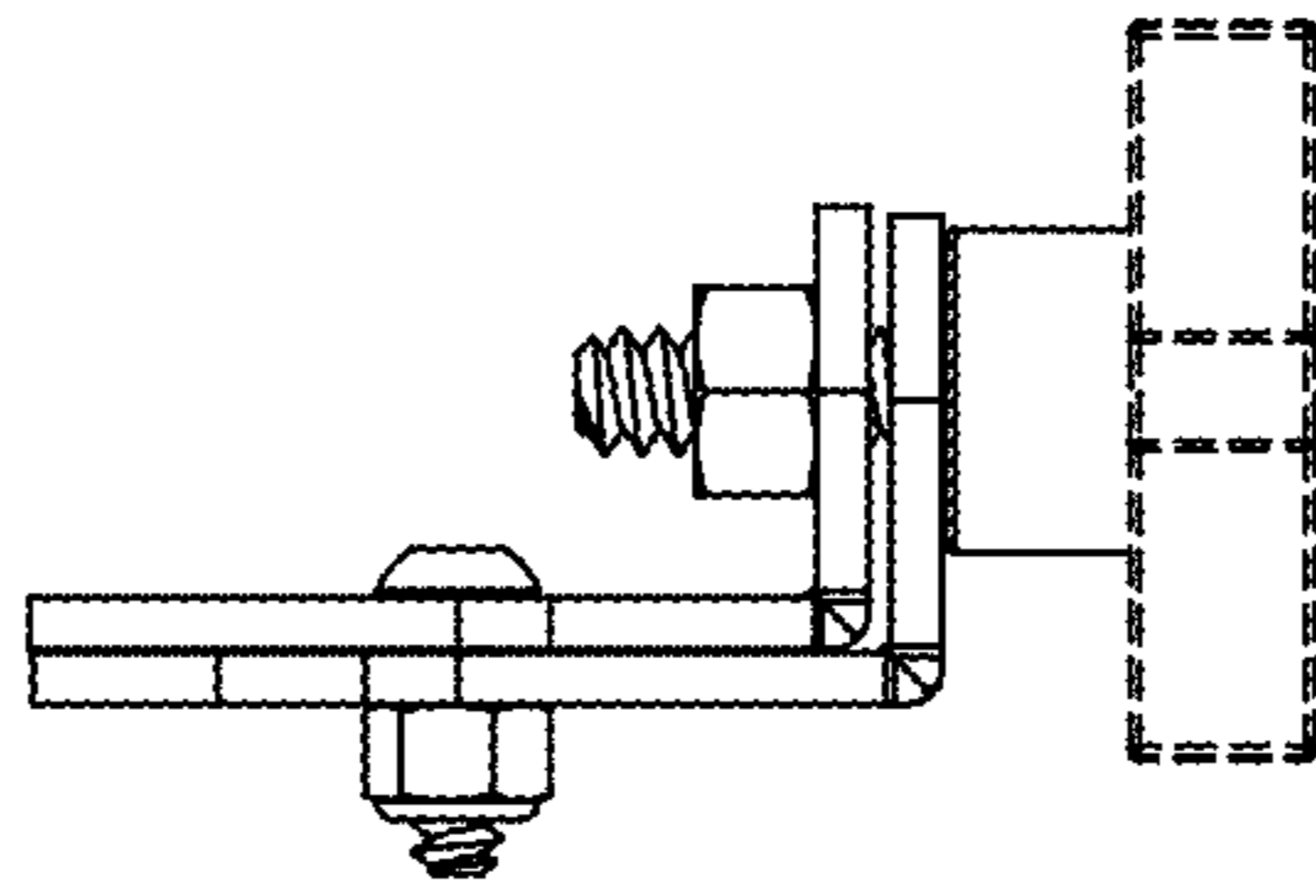


FIG. 3

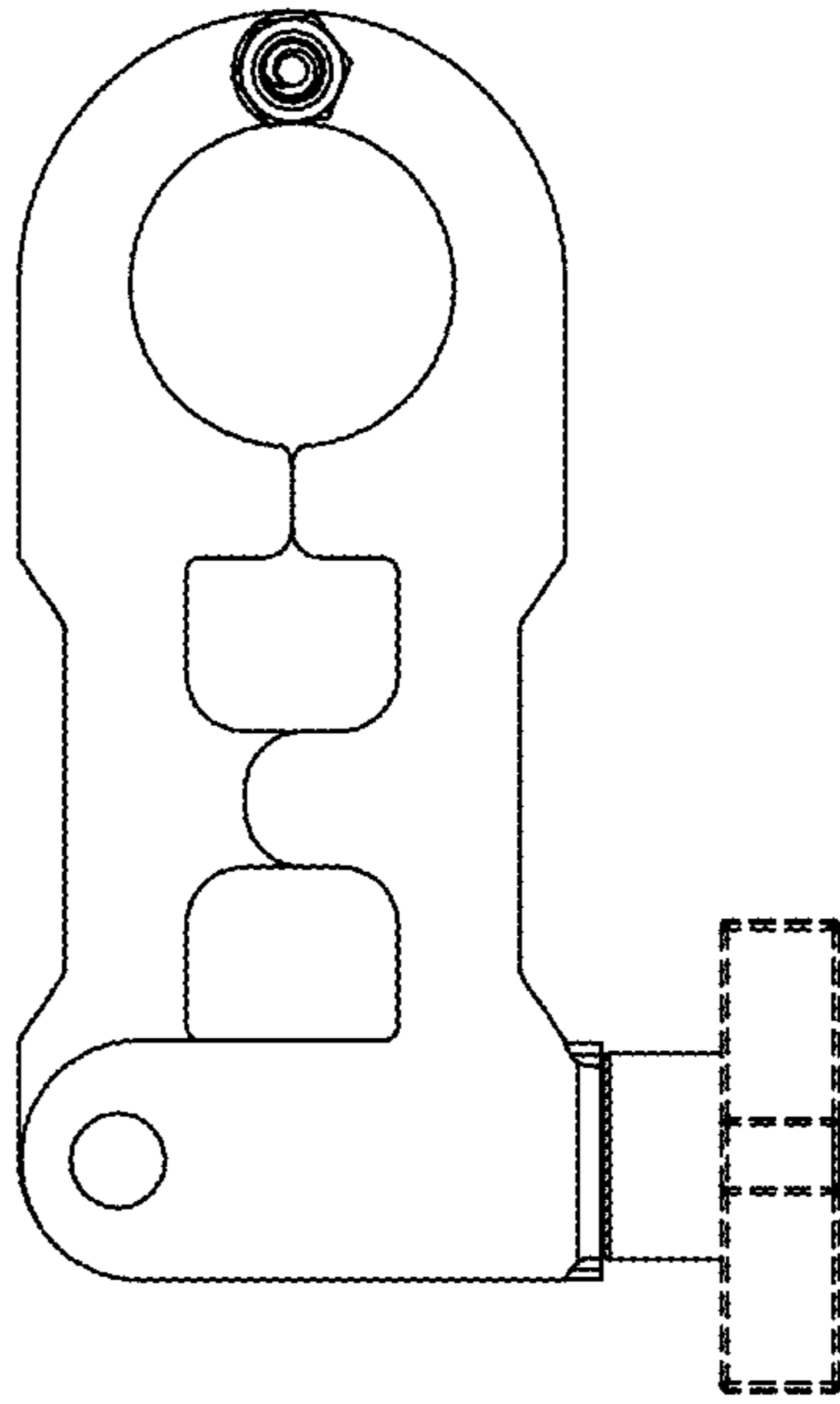


FIG. 4

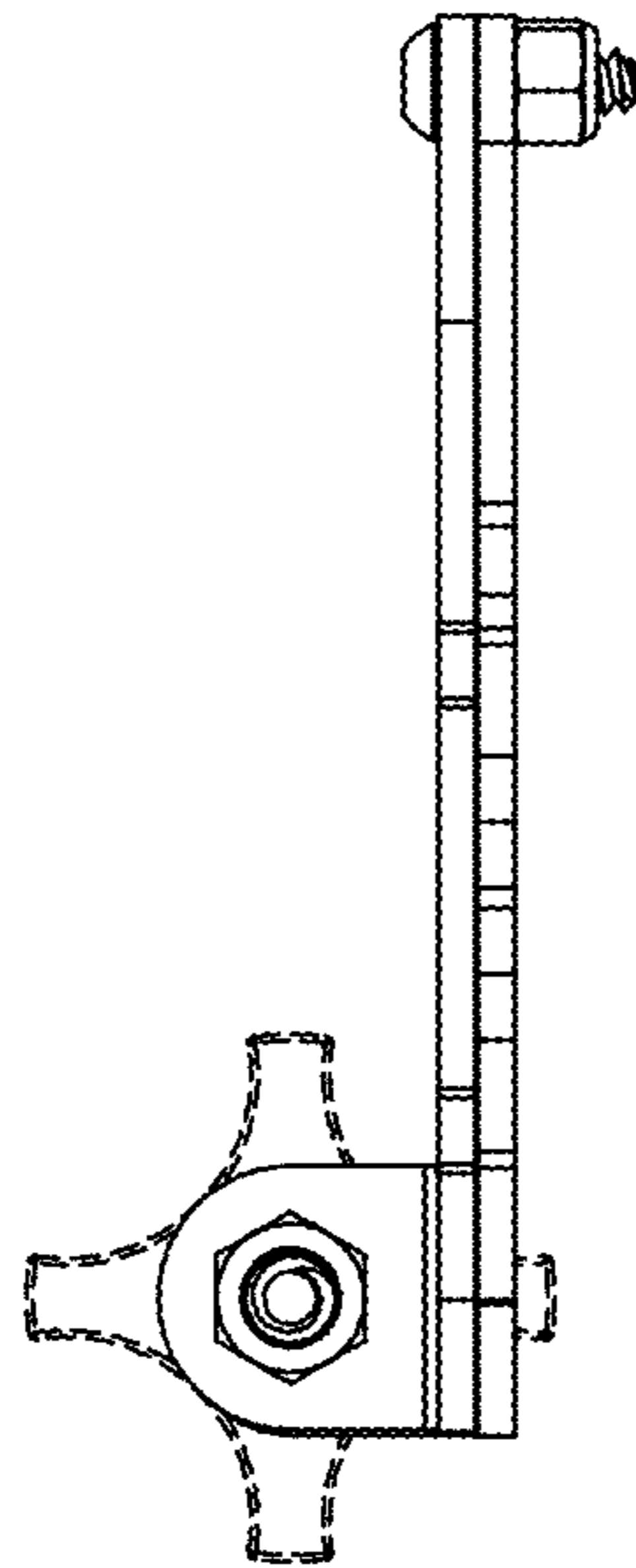


FIG. 5

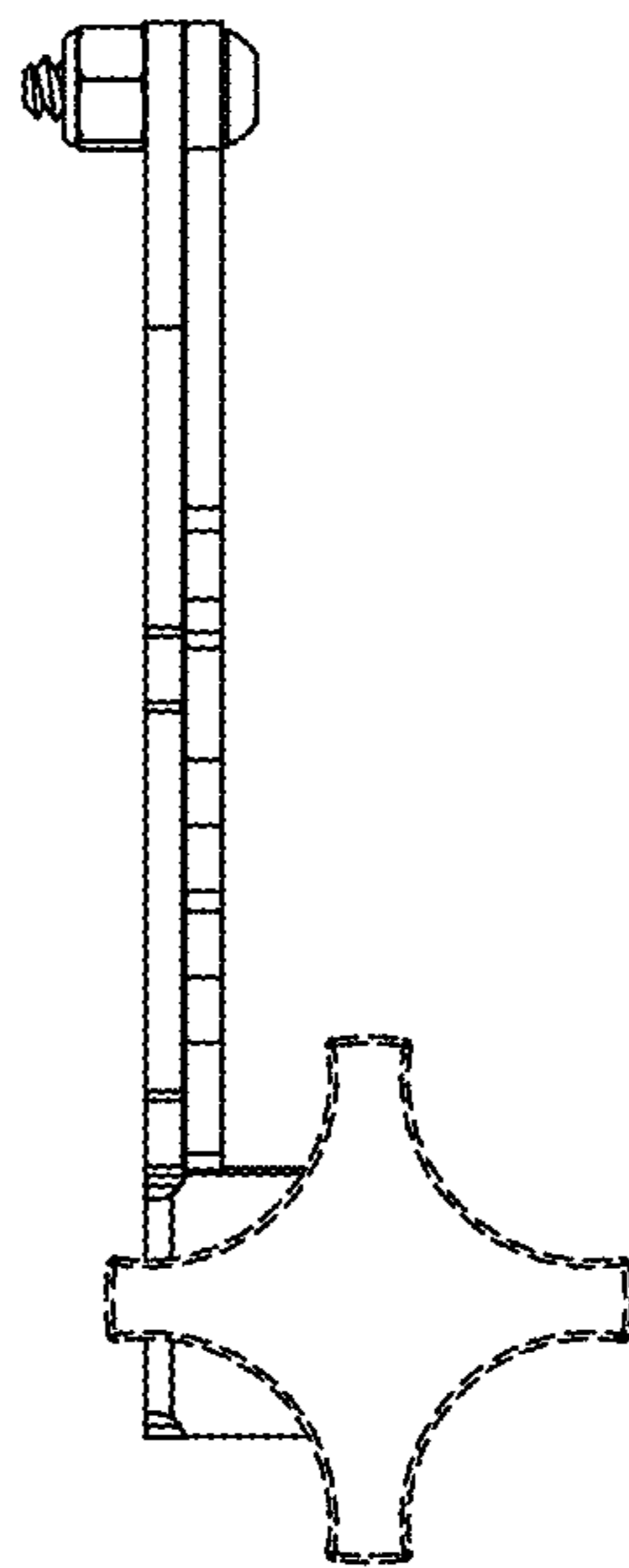


FIG. 6

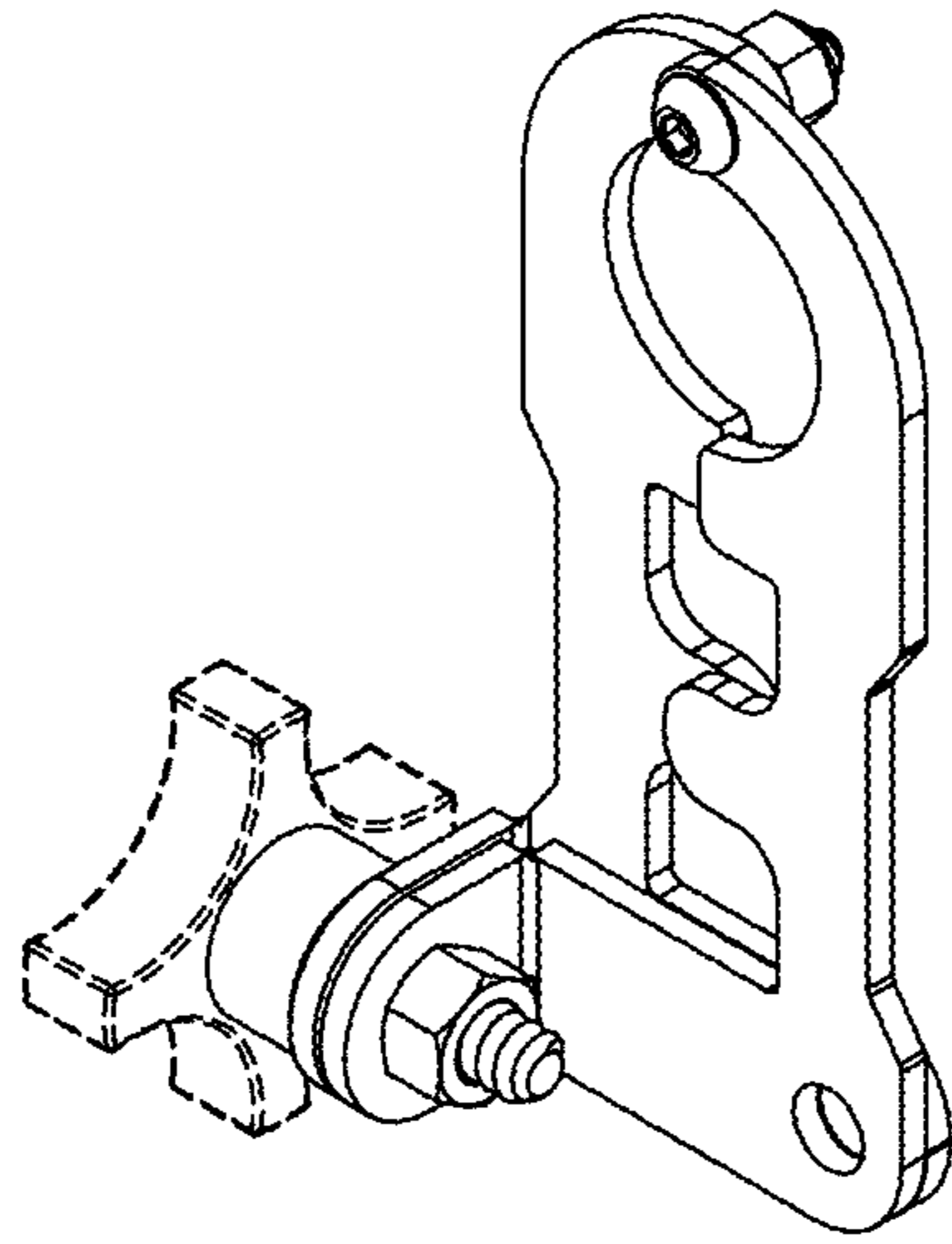


FIG. 7

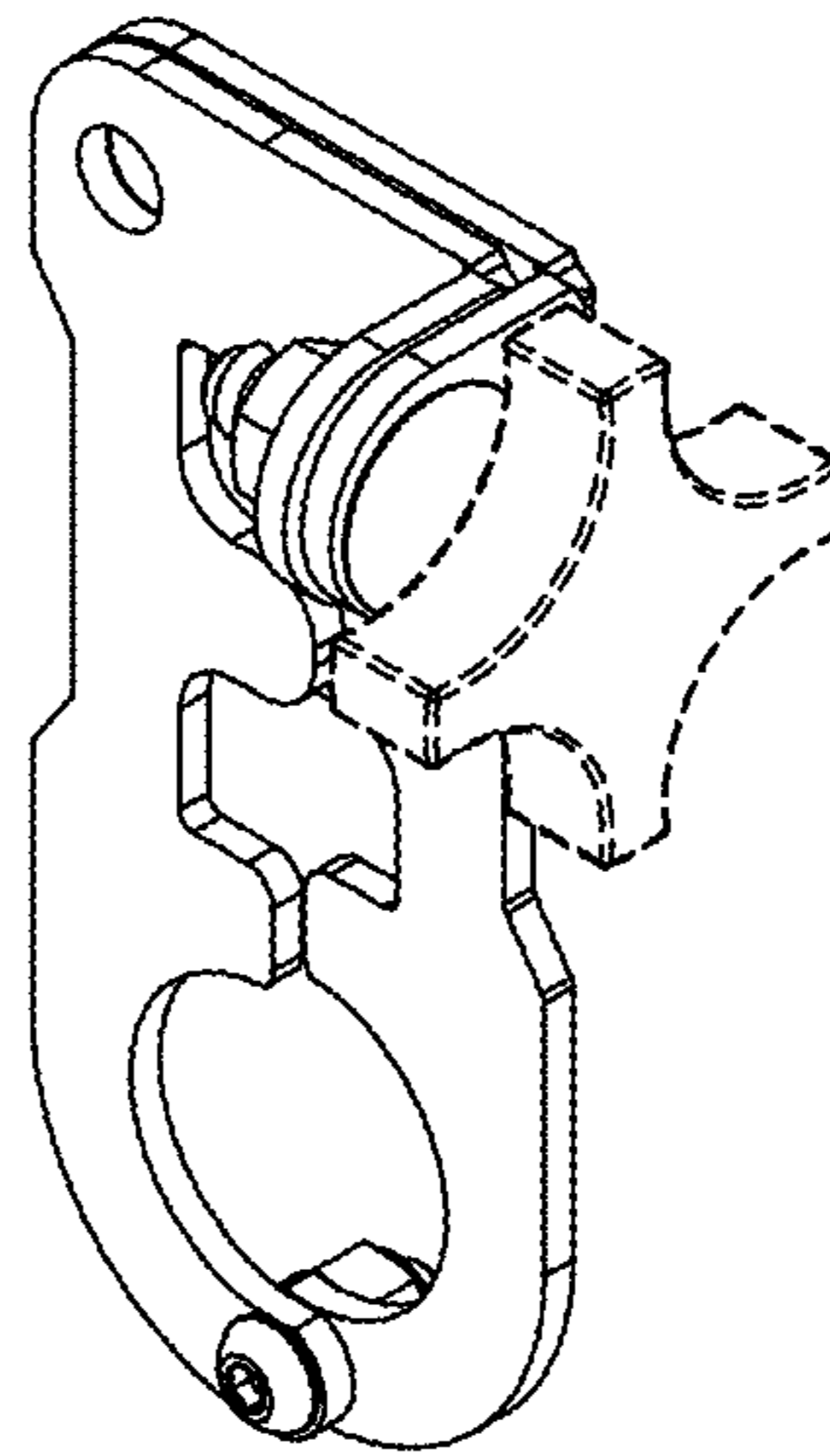


FIG. 8