



US00D907883S

(12) **United States Design Patent** (10) **Patent No.:** **US D907,883 S**  
**Babel et al.** (45) **Date of Patent:** **\*\* Jan. 12, 2021**

(54) **MANLIFT OVERHEAD GUARD**  
(71) Applicant: **Crown Equipment Corporation**, New Bremen, OH (US)  
(72) Inventors: **Christoph Babel**, Tuerkenfeld (DE); **James Kraimer**, Munich (DE); **Markus Graf**, Aschau (DE); **Christian Molnar**, Forstinning (DE); **Alexander Quednau**, Munich (DE)  
(73) Assignee: **Crown Equipment Corporation**, New Bremen, OH (US)  
(\*\*) Term: **15 Years**

(21) Appl. No.: **29/662,986**  
(22) Filed: **Sep. 11, 2018**  
(51) **LOC (13) Cl.** ..... **12-05**  
(52) **U.S. Cl.**  
USPC ..... **D34/35**  
(58) **Field of Classification Search**  
USPC ..... D34/34, 35  
CPC . B60N 2/14; B60N 2/4693; B66F 9/06; B66F 9/07554; B66F 9/07545; B66F 9/12  
See application file for complete search history.

(56) **References Cited**  
U.S. PATENT DOCUMENTS  
4,266,808 A \* 5/1981 Fassett ..... B66F 9/07545  
280/756  
6,182,797 B1 \* 2/2001 Tebbe ..... B66F 9/07531  
187/222  
D605,374 S \* 12/2009 Nishikawa ..... D34/34  
D650,959 S \* 12/2011 Gilbride ..... D34/34  
9,051,159 B2 \* 6/2015 Walker ..... B66C 23/70  
D806,346 S \* 12/2017 Niebuhr ..... D34/34  
D827,244 S \* 8/2018 Hooek ..... D34/34  
2004/0124037 A1 \* 7/2004 Ruck ..... B60N 2/505  
187/222

2010/0072801 A1\* 3/2010 Adelsperger ..... B60N 2/14  
297/344.21  
2015/0225219 A1\* 8/2015 Recchia ..... B66F 9/07545  
187/238  
2016/0023871 A1\* 1/2016 Rosenberg ..... B66F 9/07545  
296/215  
2017/0129753 A1\* 5/2017 Kraimer ..... B66F 9/0759

**OTHER PUBLICATIONS**

Christoph Babel et al.; Related U.S. Appl. No. 29/755,199, filed Oct. 19, 2020 entitled Manlift Features.  
Christoph Babel et al.; Related U.S. Appl. No. 29/755,352, filed Oct. 20, 2020 entitled Manlift Control Panel.  
Christoph Babel et al.; Related U.S. Appl. No. 29/755,677, filed Oct. 22, 2020 entitled Manlift Control Panel.

(Continued)

*Primary Examiner* — Cynthia Ramirez  
(74) *Attorney, Agent, or Firm* — Stevens & Showalter LLP

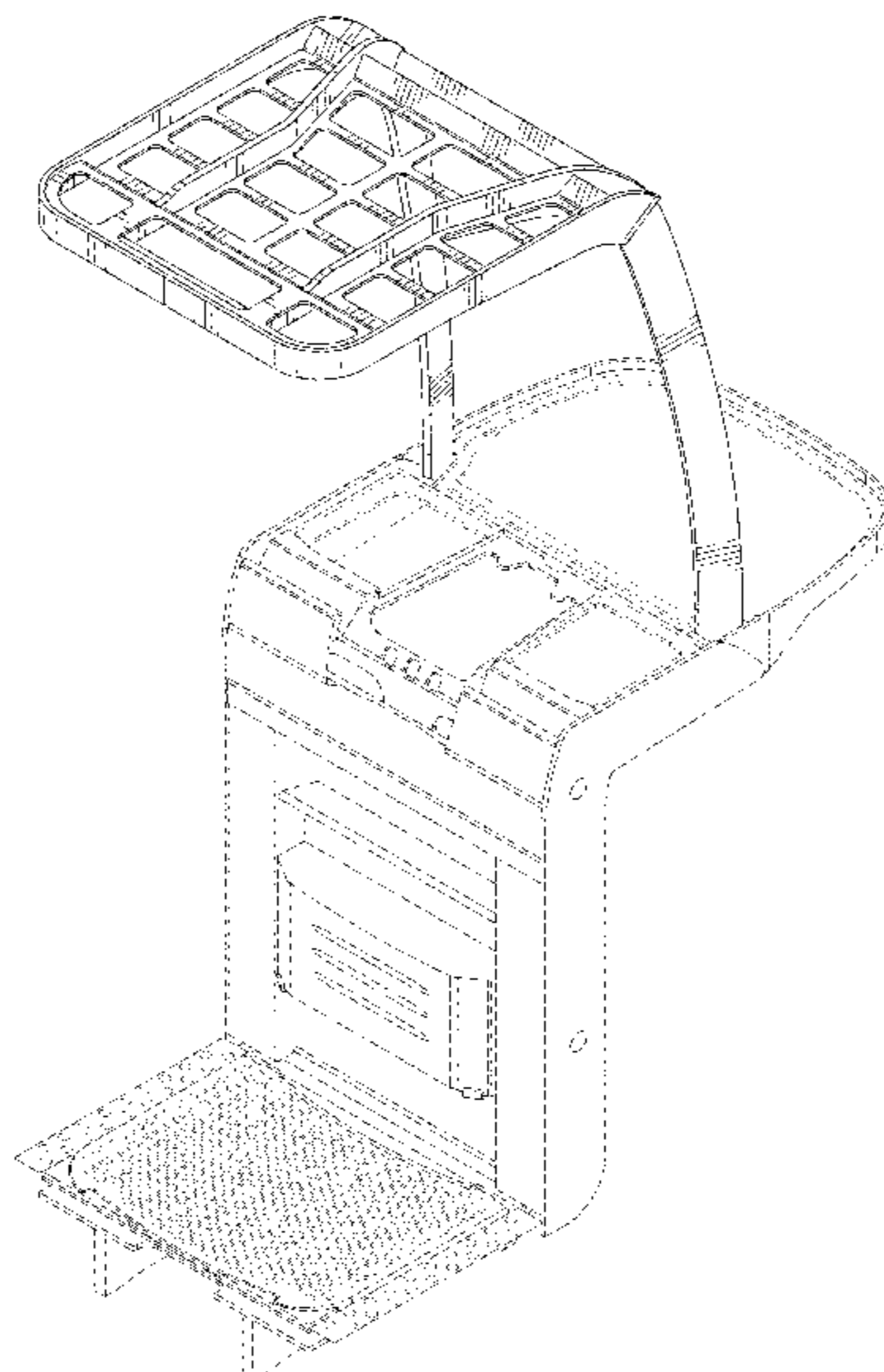
(57) **CLAIM**

The ornamental design for a manlift overhead guard, as shown and described.

**DESCRIPTION**

FIG. 1 is a perspective view of a manlift overhead guard as seen from the top, first and right sides;  
FIG. 2 is a first side elevational view thereof;  
FIG. 3 is a second side elevational view thereof;  
FIG. 4 is a right side elevational view thereof;  
FIG. 5 is a left side elevational view thereof;  
FIG. 6 is a top plan view thereof;  
FIG. 7 is a bottom plan view thereof; and,  
FIG. 8 is a perspective view of the manlift overhead guard as seen from the bottom, second and right sides.  
The broken lines shown in the figures depict portions of the manlift overhead guard which form no part of the claimed design.

**1 Claim, 8 Drawing Sheets**



(56)

**References Cited**

OTHER PUBLICATIONS

Christoph Babel et al.; Related U.S. Appl. No. 29/755,721, filed Oct. 22, 2020 entitled Manlift Shelf.

Christoph Babel et al.; Related U.S. Appl. No. 29/755,925, filed Oct. 23, 2020 entitled Manlift Side Windows.

Christoph Babel et al.; Related U.S. Appl. No. 29/757,811, filed Nov. 10, 2020 entitled Manlift Side Windows.

\* cited by examiner

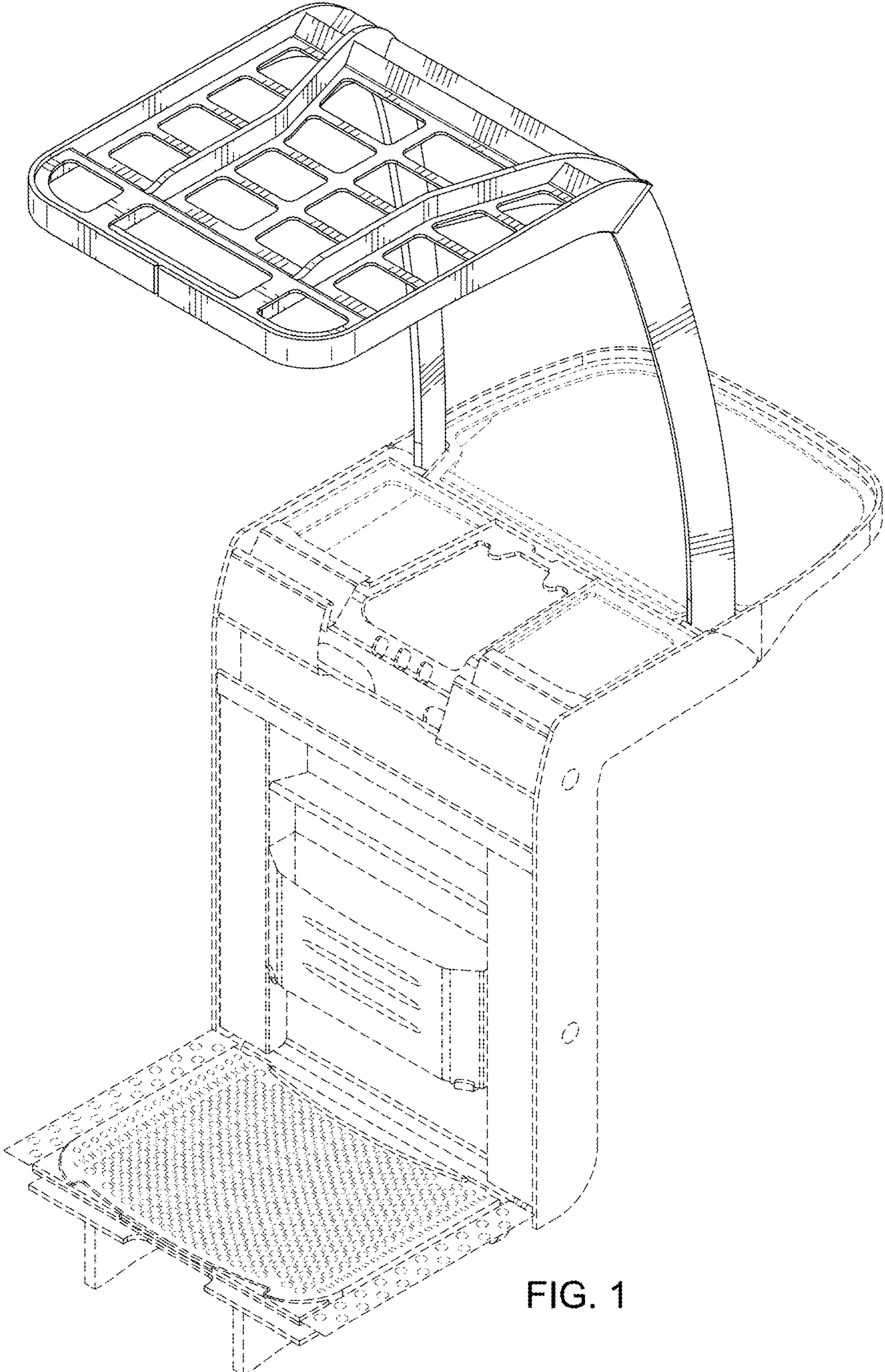


FIG. 1

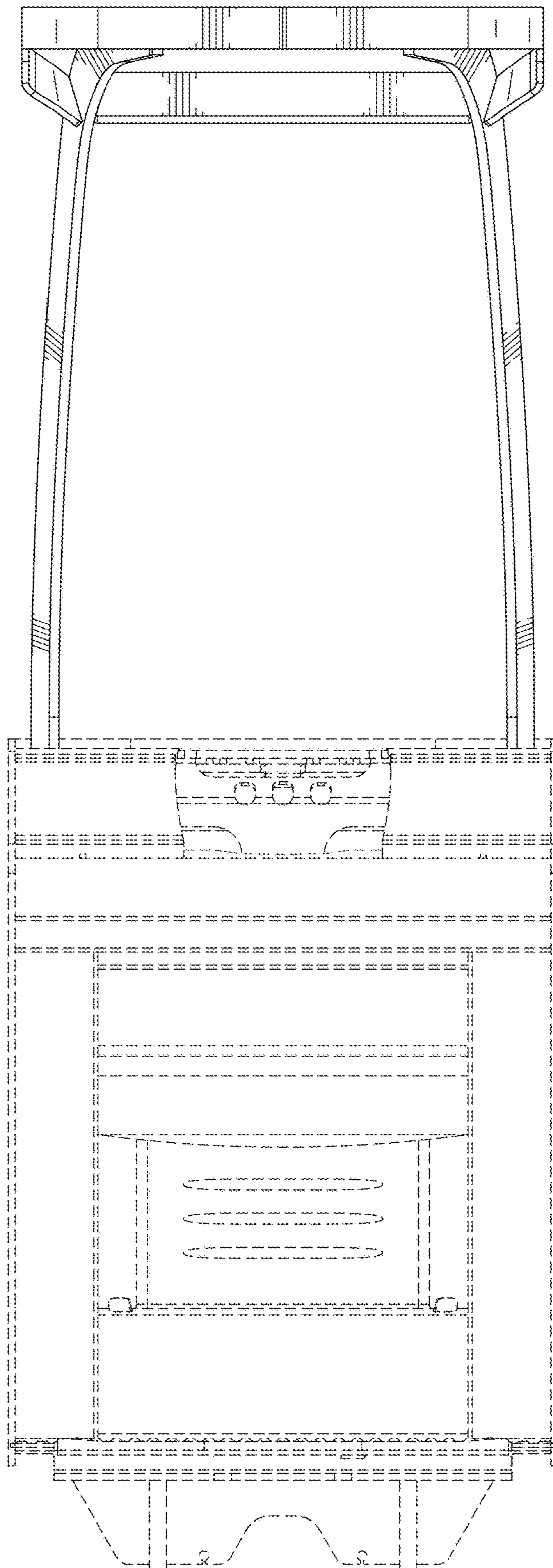


FIG. 2

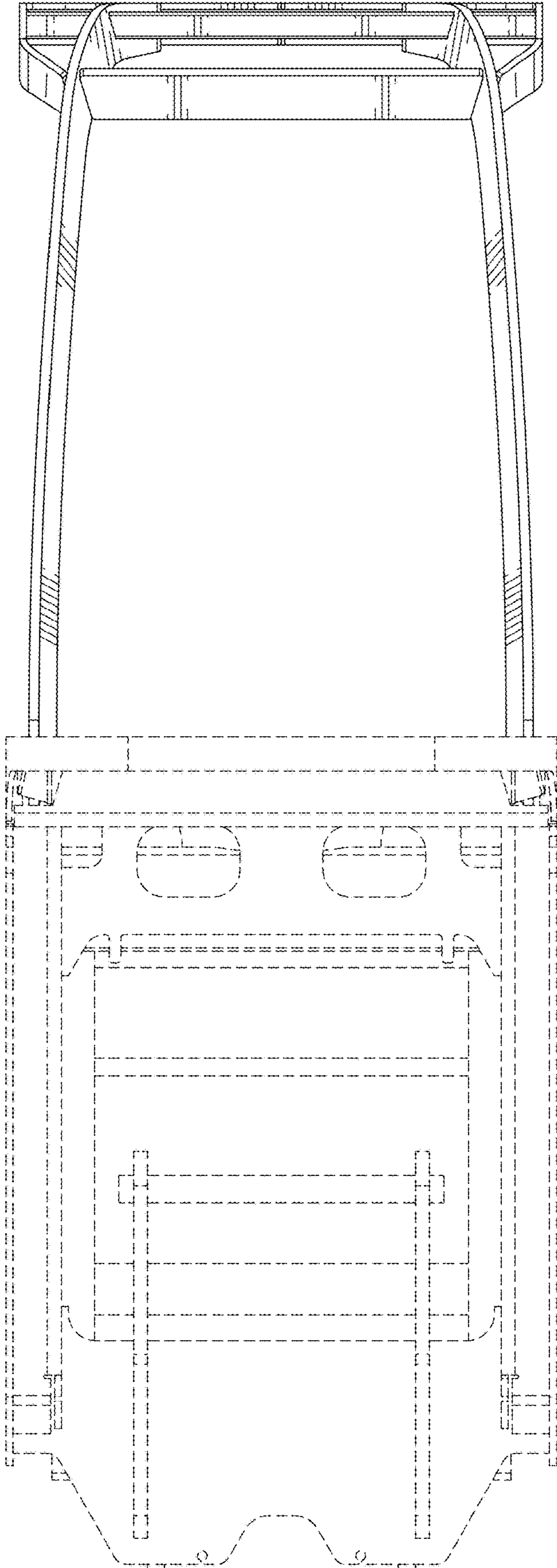


FIG. 3

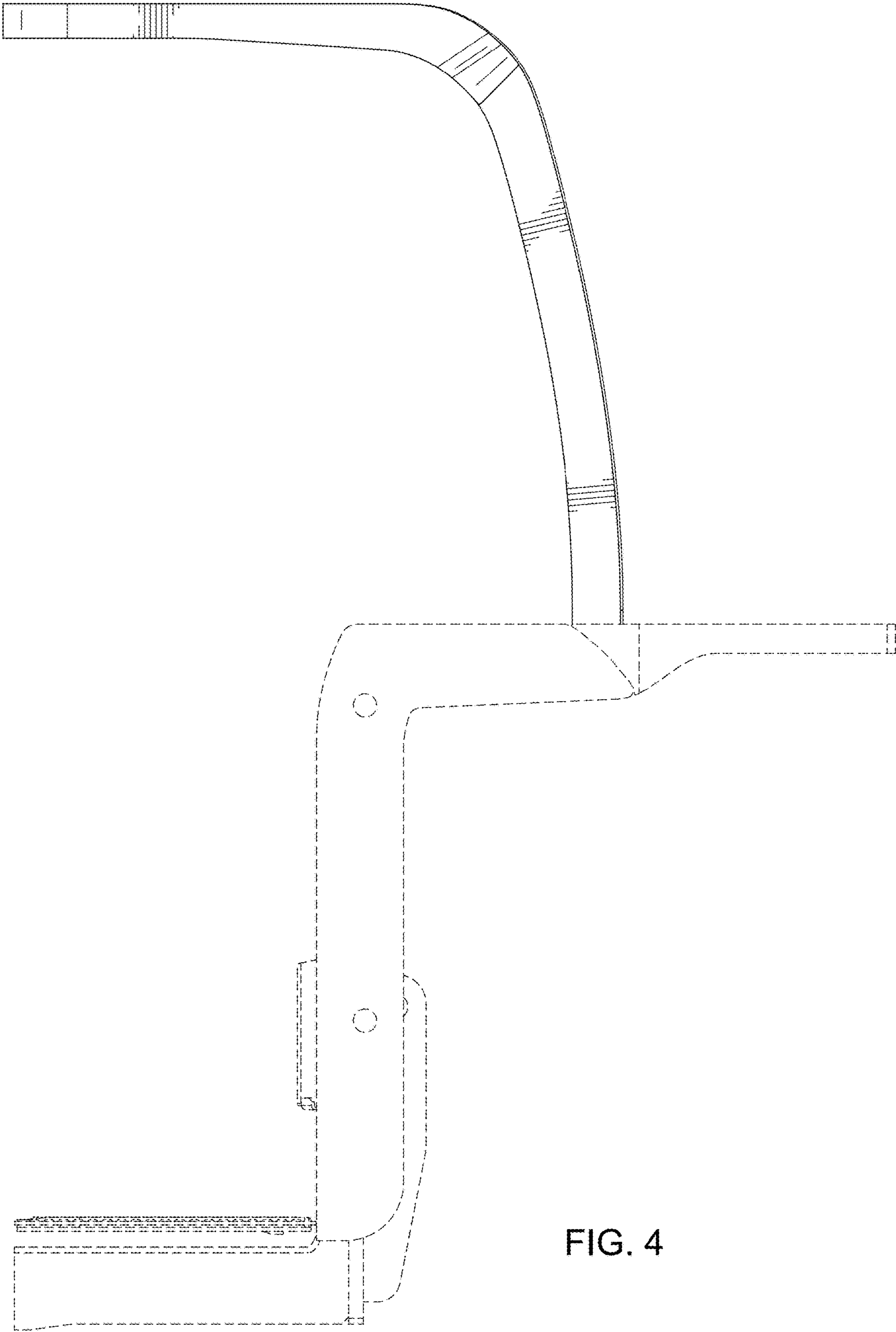


FIG. 4

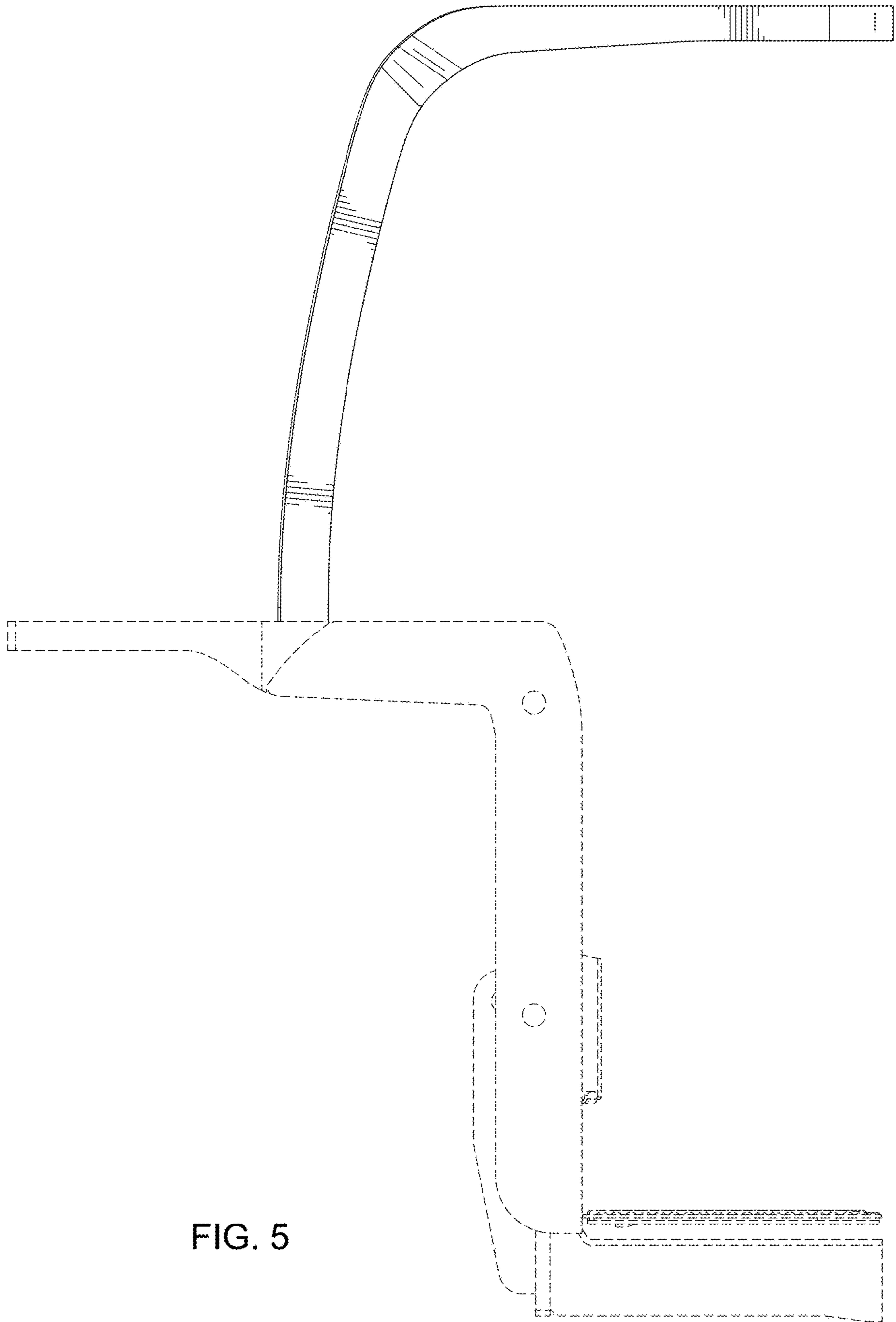


FIG. 5

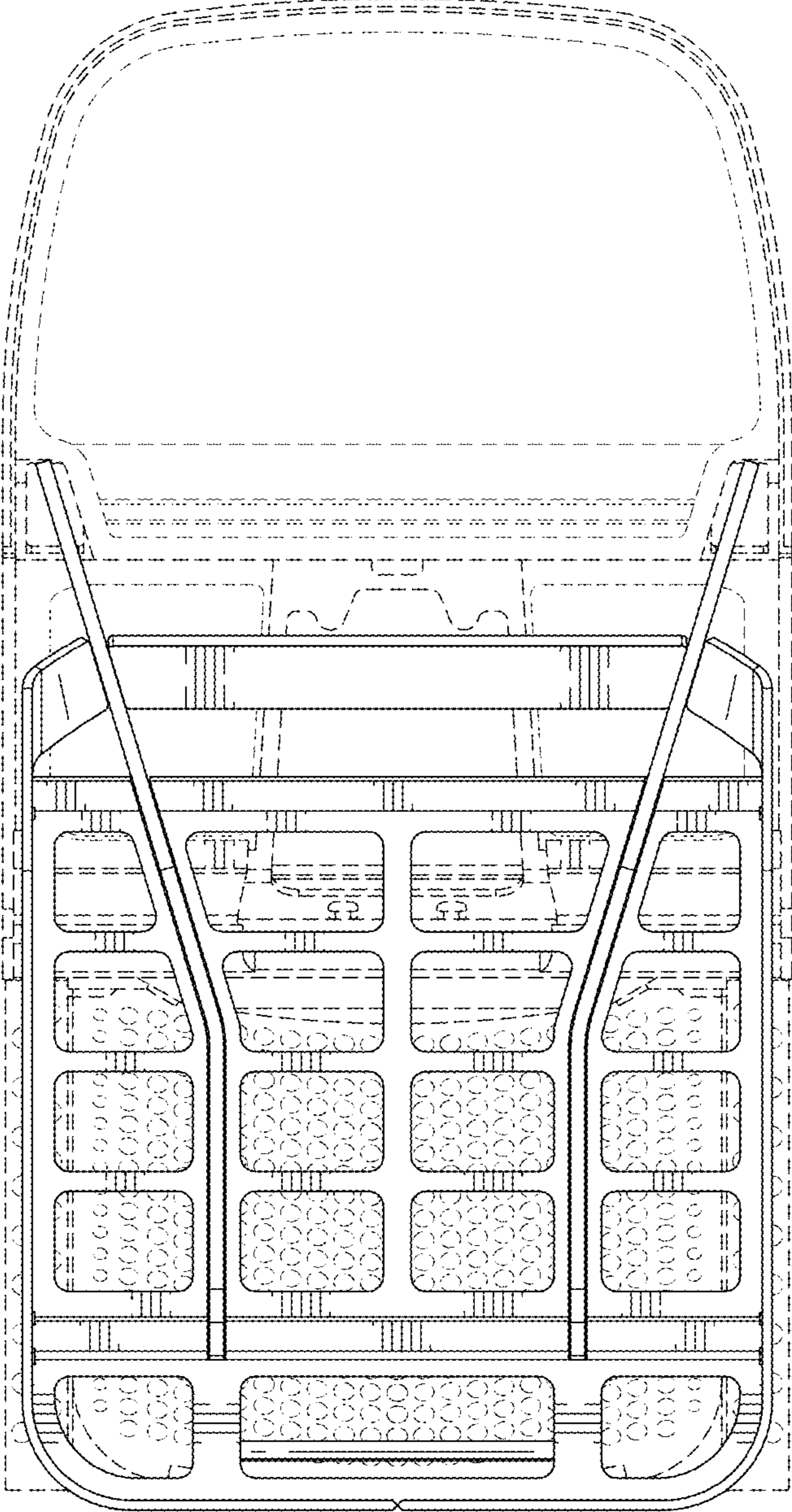


FIG. 6



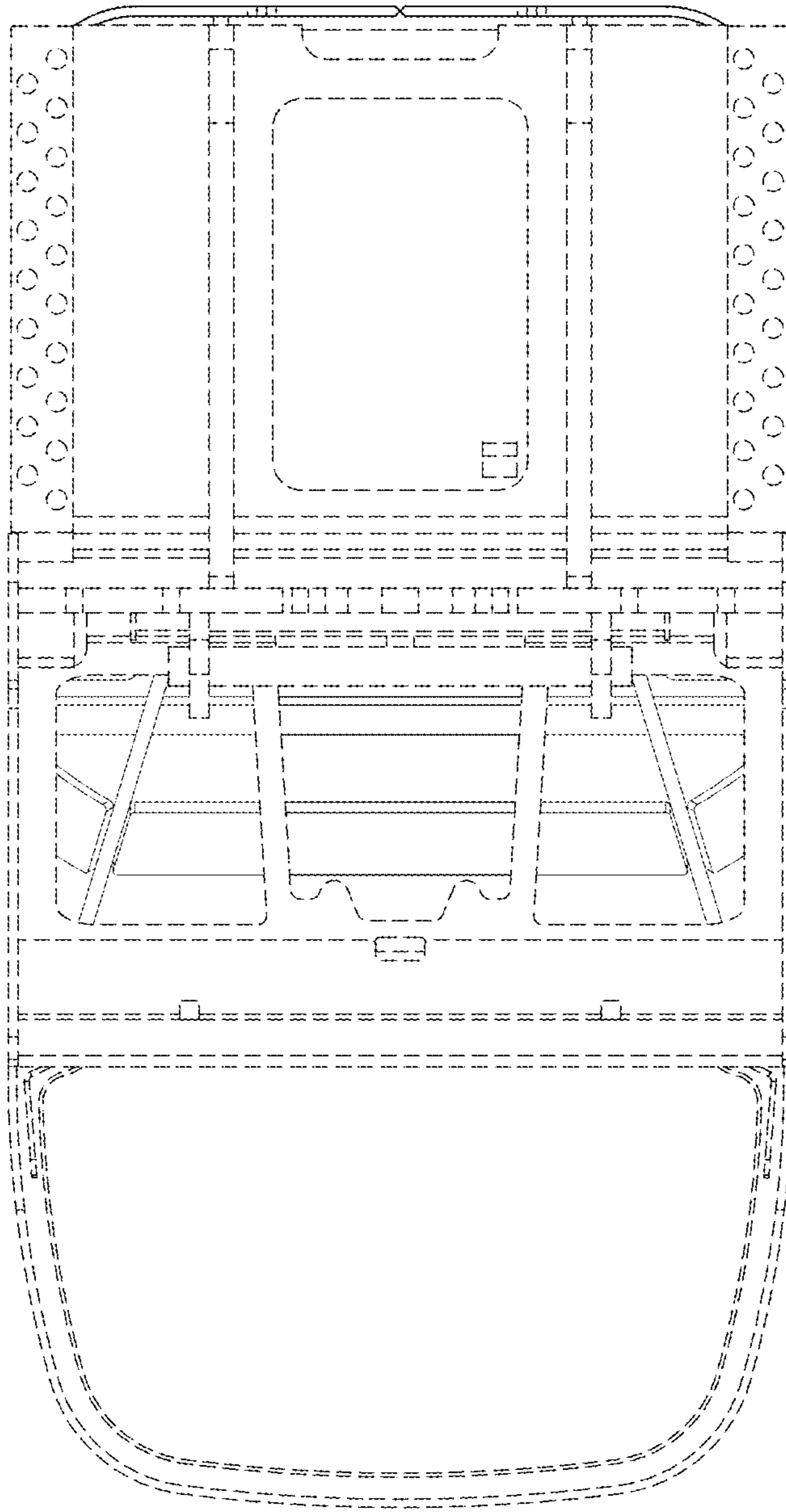


FIG. 7

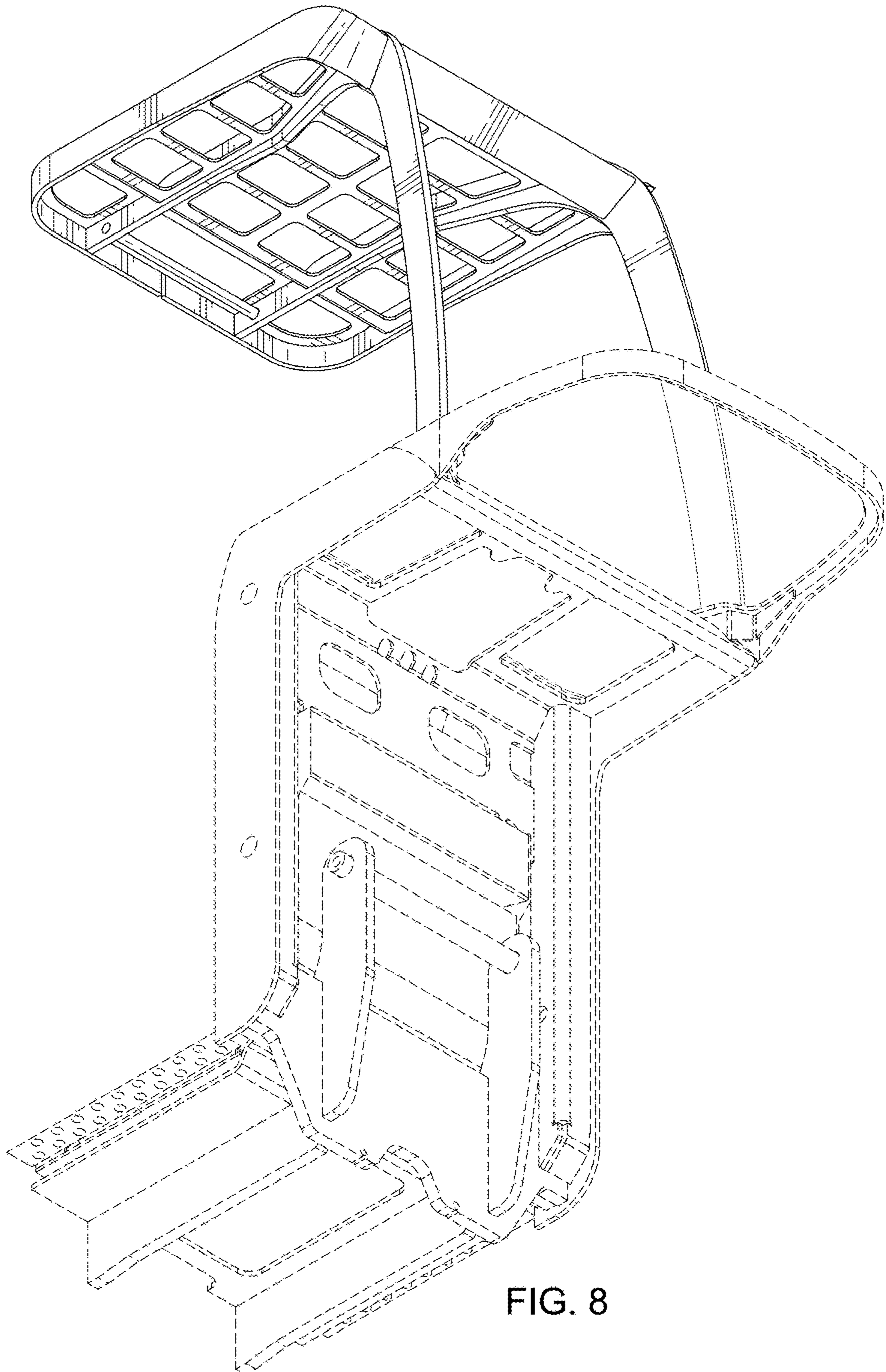


FIG. 8