



US00D907882S

(12) **United States Design Patent**  
**Dawson et al.**

(10) **Patent No.:** **US D907,882 S**

(45) **Date of Patent:** **\*\* Jan. 12, 2021**

- (54) **COUNTERBALANCE FORKLIFT TRUCK**
- (71) Applicant: **Hyster-Yale Group, Inc.**, Fairview, OR (US)
- (72) Inventors: **Keith Dawson**, Lisburn (IE); **Edmund Stilwell**, Oregon City, OR (US); **Daniel Miller**, Portland, OR (US); **Ryan McDermott**, Fairview, OR (US); **Nicholas Draayer**, Portland, OR (US); **Mark Cheyne**, Gresham, OR (US); **Robert New**, Berea, KY (US)
- (73) Assignee: **HYSTER-YALE GROUP, INC.**, Fairview, OR (US)

D579,622 S *	10/2008	Kim	.....	D34/34
D579,623 S *	10/2008	Kim	.....	D34/34
D634,504 S *	3/2011	Radaelli	.....	D34/34
D657,932 S *	4/2012	Kazaoka	.....	D34/34
D663,502 S *	7/2012	Lin	.....	D34/34
D694,984 S *	12/2013	Kawakami	.....	D34/34
D696,830 S *	12/2013	Kazaoka	.....	D34/34
D703,908 S *	4/2014	Hiraoka	.....	D34/34
D731,737 S *	6/2015	Seimiya	.....	D34/34
D750,863 S *	3/2016	Wen	.....	D34/28
D752,310 S *	3/2016	Wen	.....	D34/28
D756,056 S *	5/2016	Wen	.....	D34/34
D756,058 S *	5/2016	Kang	.....	D34/34
D756,059 S *	5/2016	Kang	.....	D34/34
D763,538 S *	8/2016	Sumigama	.....	D34/34
D778,524 S *	2/2017	Kang	.....	D34/34

(Continued)

(\*\*) Term: **15 Years**

**FOREIGN PATENT DOCUMENTS**

(21) Appl. No.: **29/685,948**

EP 1067086 A2 1/2001

(22) Filed: **Apr. 1, 2019**

*Primary Examiner* — George A Bugg

(51) **LOC (13) Cl.** ..... **12-05**

*Assistant Examiner* — Tamara L Hahn

(52) **U.S. Cl.**

(74) *Attorney, Agent, or Firm* — Schwabe Williamson & Wyatt

USPC ..... **D34/34**

(58) **Field of Classification Search**

(57) **CLAIM**

USPC ..... D34/12–20, 23–28, 33–35, 37; D15/10, D15/23–33; D12/86, 90–92, 163, 164, D12/169, 171, 196, 216

We claim the ornamental design for a counterbalance forklift truck, as shown and described.

CPC .. B62L 3/10; B62L 3/0612; B60P 1/00; B60P 1/50; B60P 1/483; B66F 9/06; B66F 9/24; B66F 9/0755; B66F 9/07572; B66C 23/00; E12F 3/00

**DESCRIPTION**

See application file for complete search history.

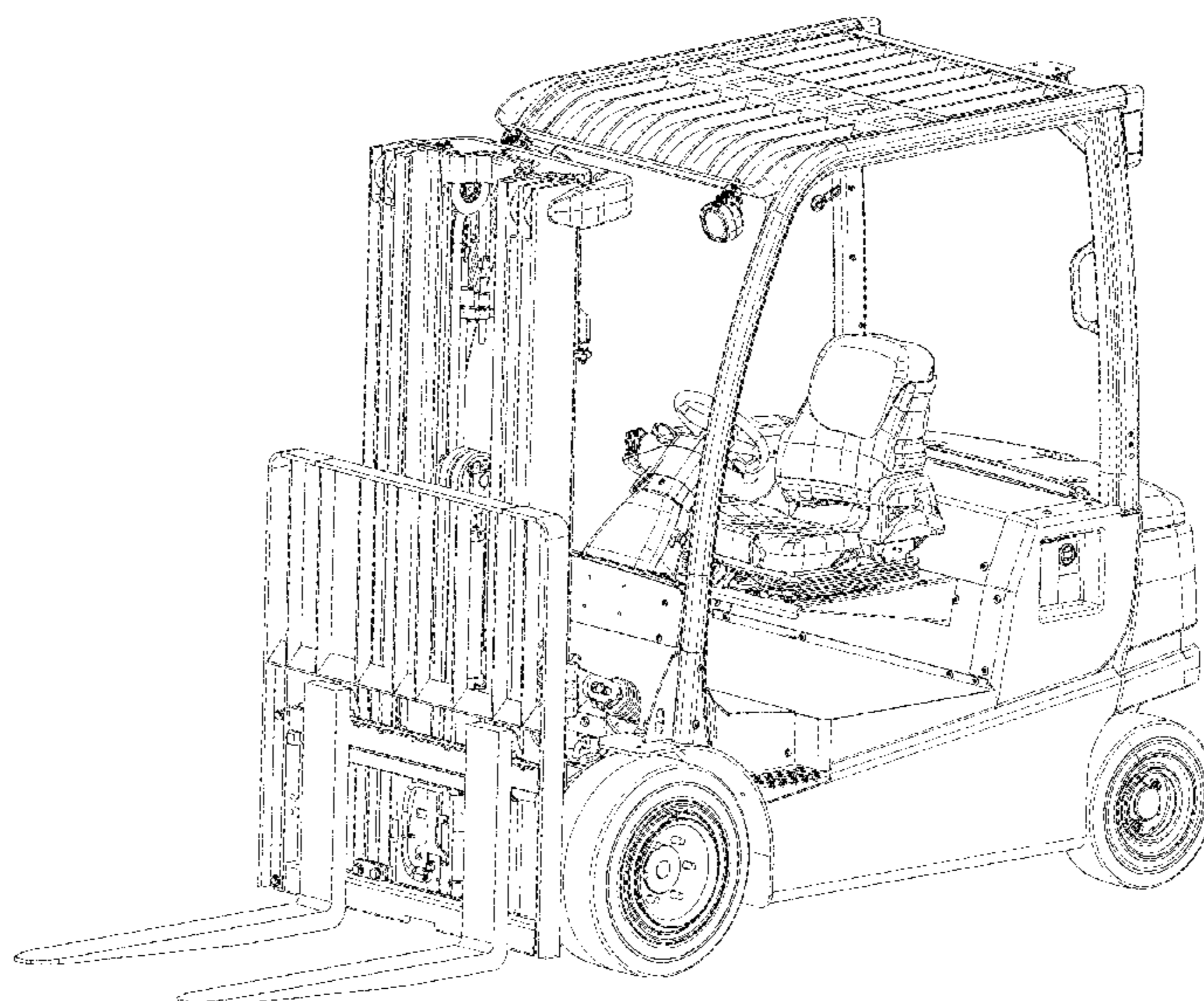
FIG. 1 is a front perspective view showing my design; FIG. 2 is a rear perspective view; FIG. 3 is a front view; FIG. 4 is a rear view; FIG. 5 is a left side view; FIG. 6 is a right side view; FIG. 7 is a top view; and, FIG. 8 is a bottom view. Broken lines in the figures form no part of the claimed design.

(56) **References Cited**

**U.S. PATENT DOCUMENTS**

D386,877 S *	11/1997	Russey	.....	D34/34
D393,134 S *	3/1998	Mariano	.....	D34/28
D395,115 S *	6/1998	Russey	.....	D34/34
D470,990 S *	2/2003	Han	.....	D34/34
D565,825 S *	4/2008	Shibata	.....	D34/34

**1 Claim, 8 Drawing Sheets**



(56)

**References Cited**

U.S. PATENT DOCUMENTS

D782,770 S \* 3/2017 Kang ..... D34/34  
D790,149 S \* 6/2017 Kang ..... D34/34  
9,812,682 B2 11/2017 Maeda et al.  
D808,106 S \* 1/2018 Wen ..... D34/28  
D808,107 S \* 1/2018 Wen ..... D34/28  
D818,238 S \* 5/2018 Stark ..... D34/35  
2009/0236182 A1 9/2009 Yamagami  
2020/0262689 A1\* 8/2020 Lee ..... B66F 9/075

\* cited by examiner

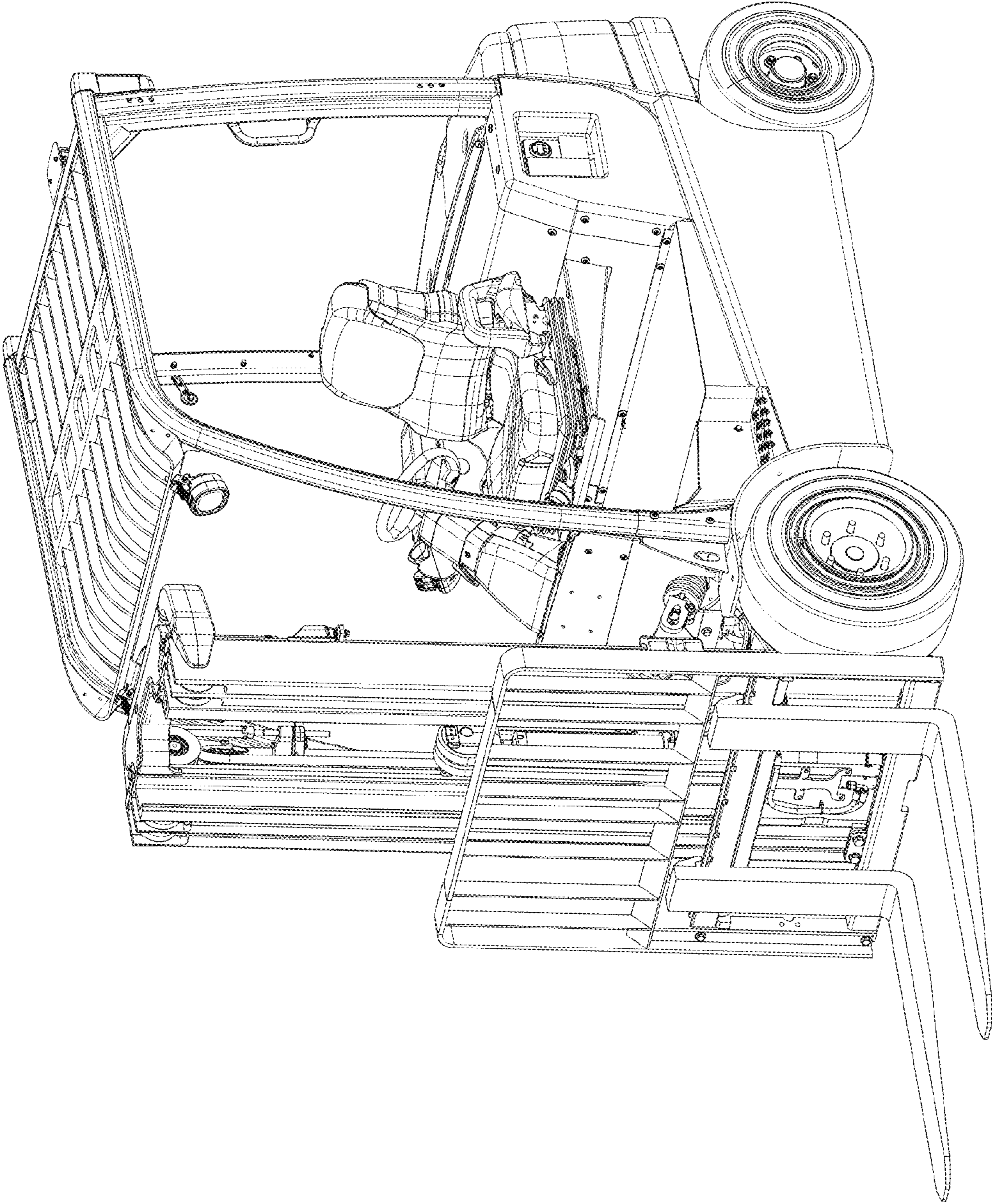


FIG. 1

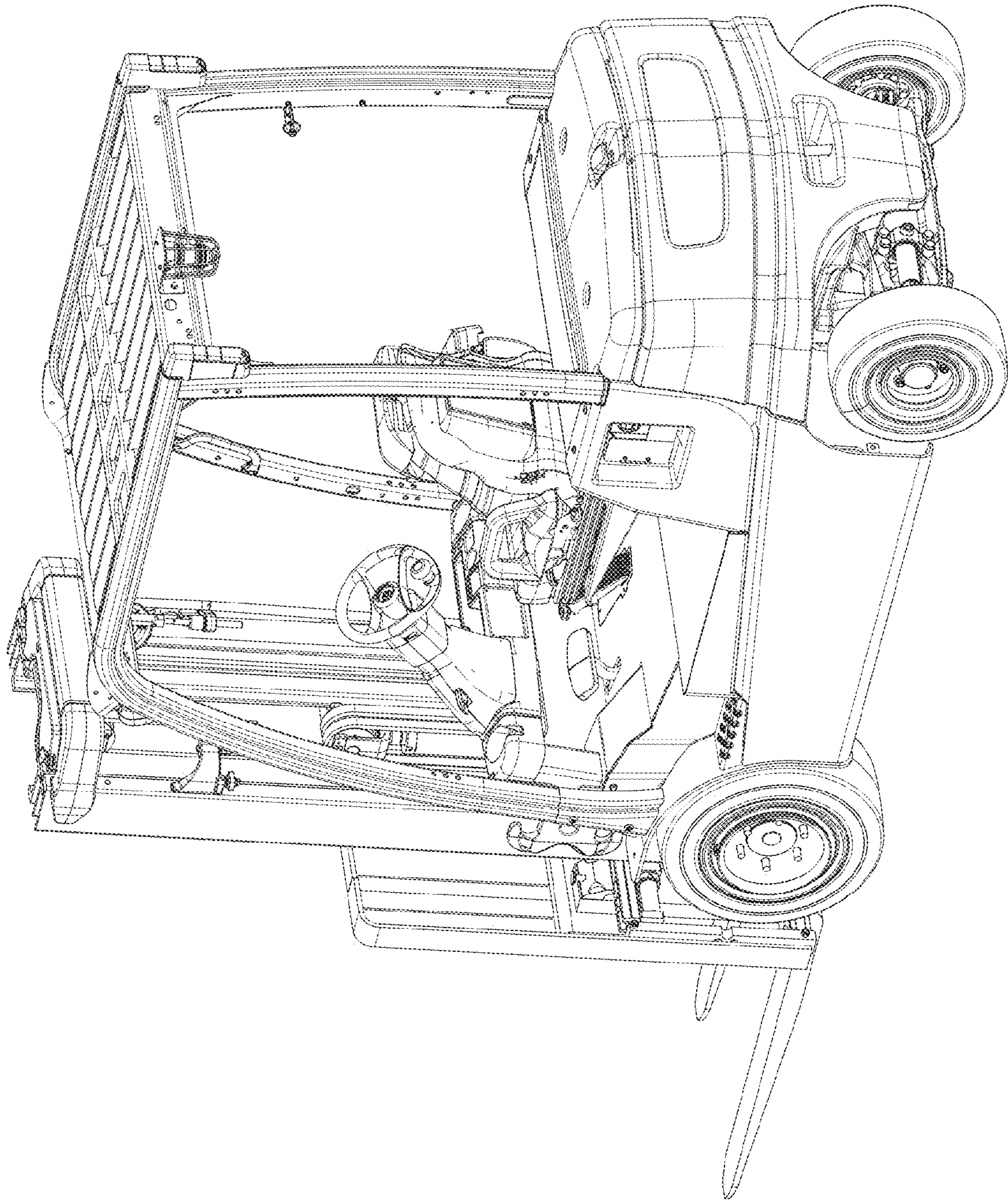


FIG. 2

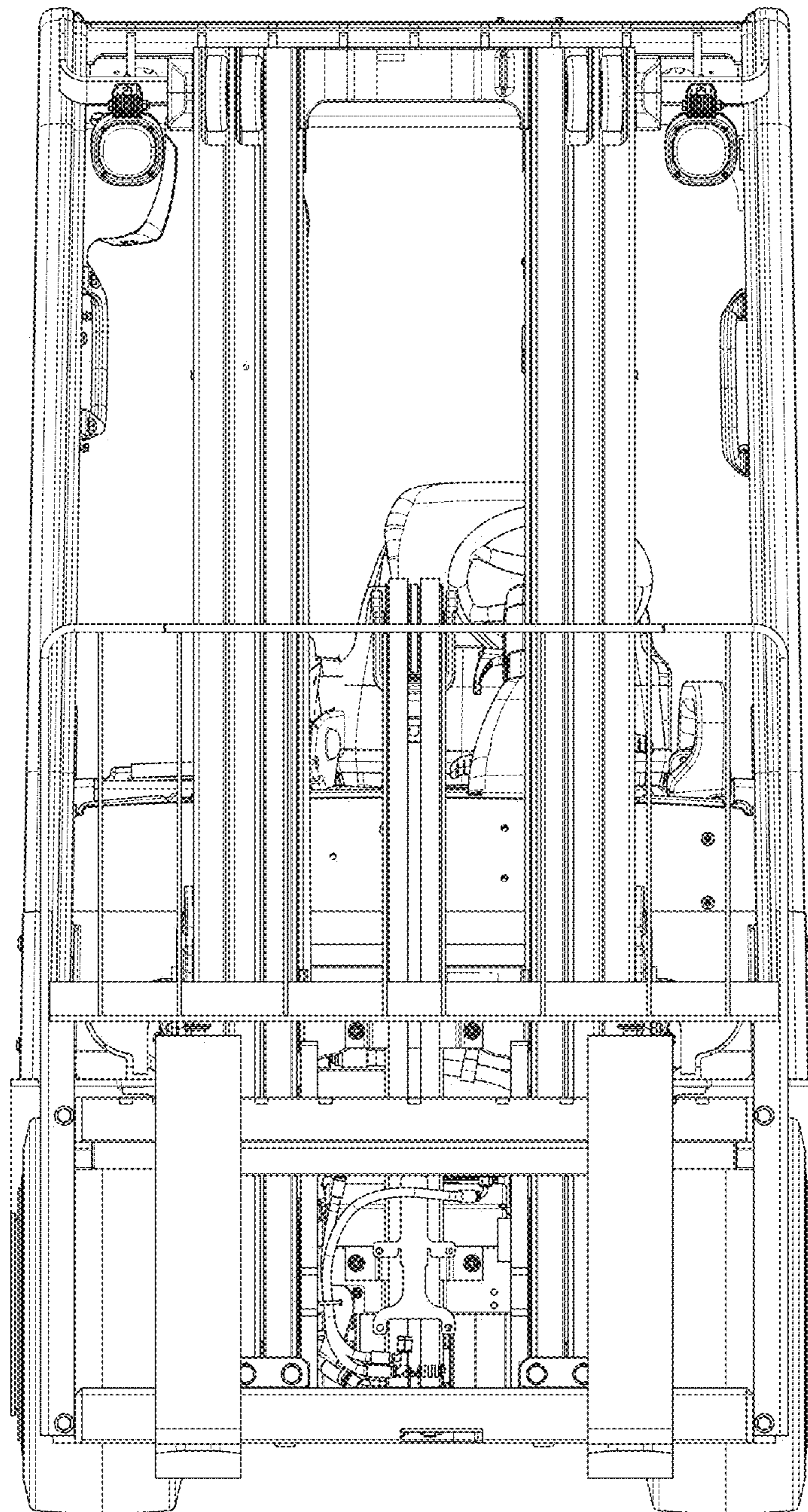


FIG. 3

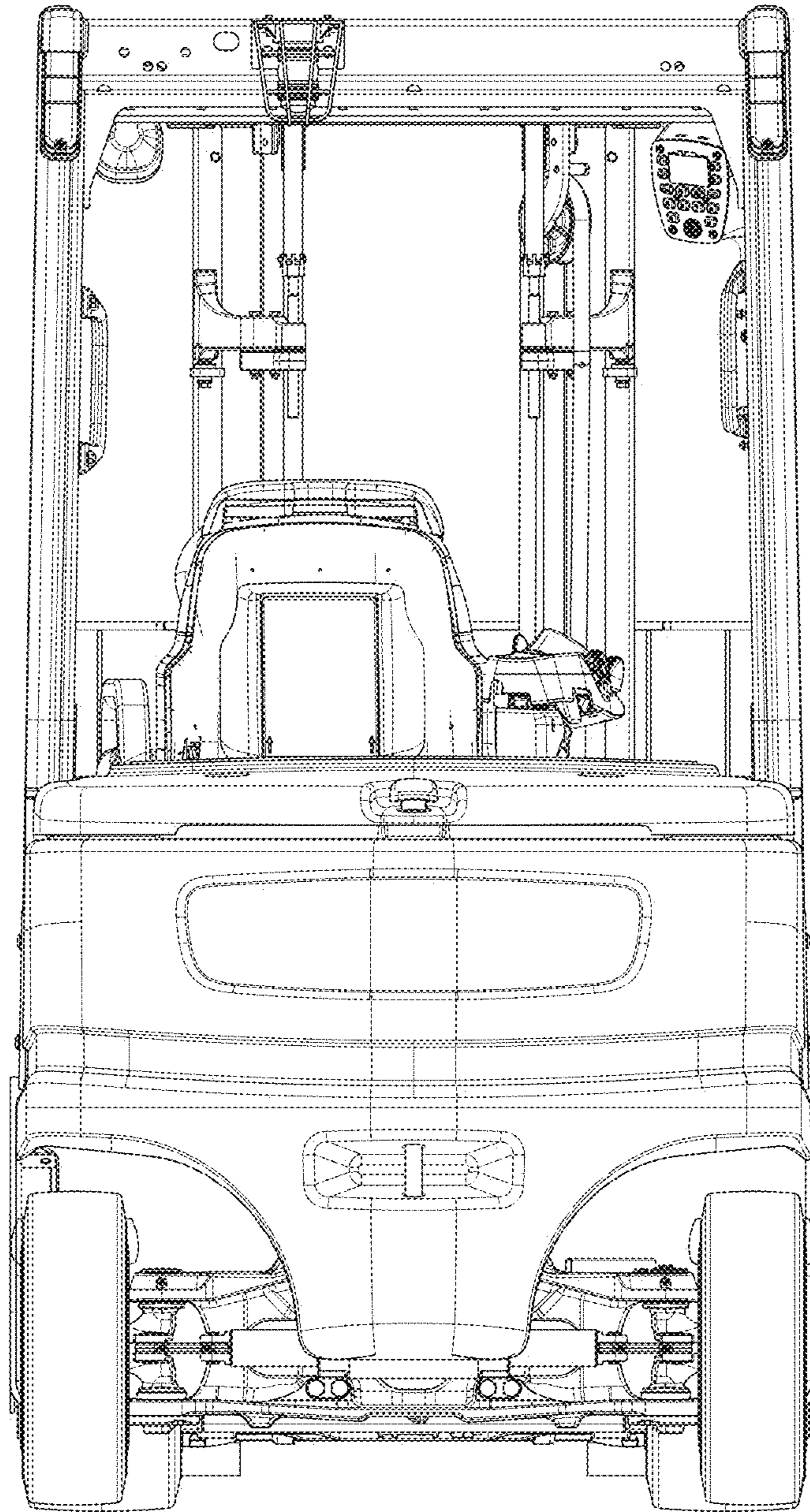


FIG. 4

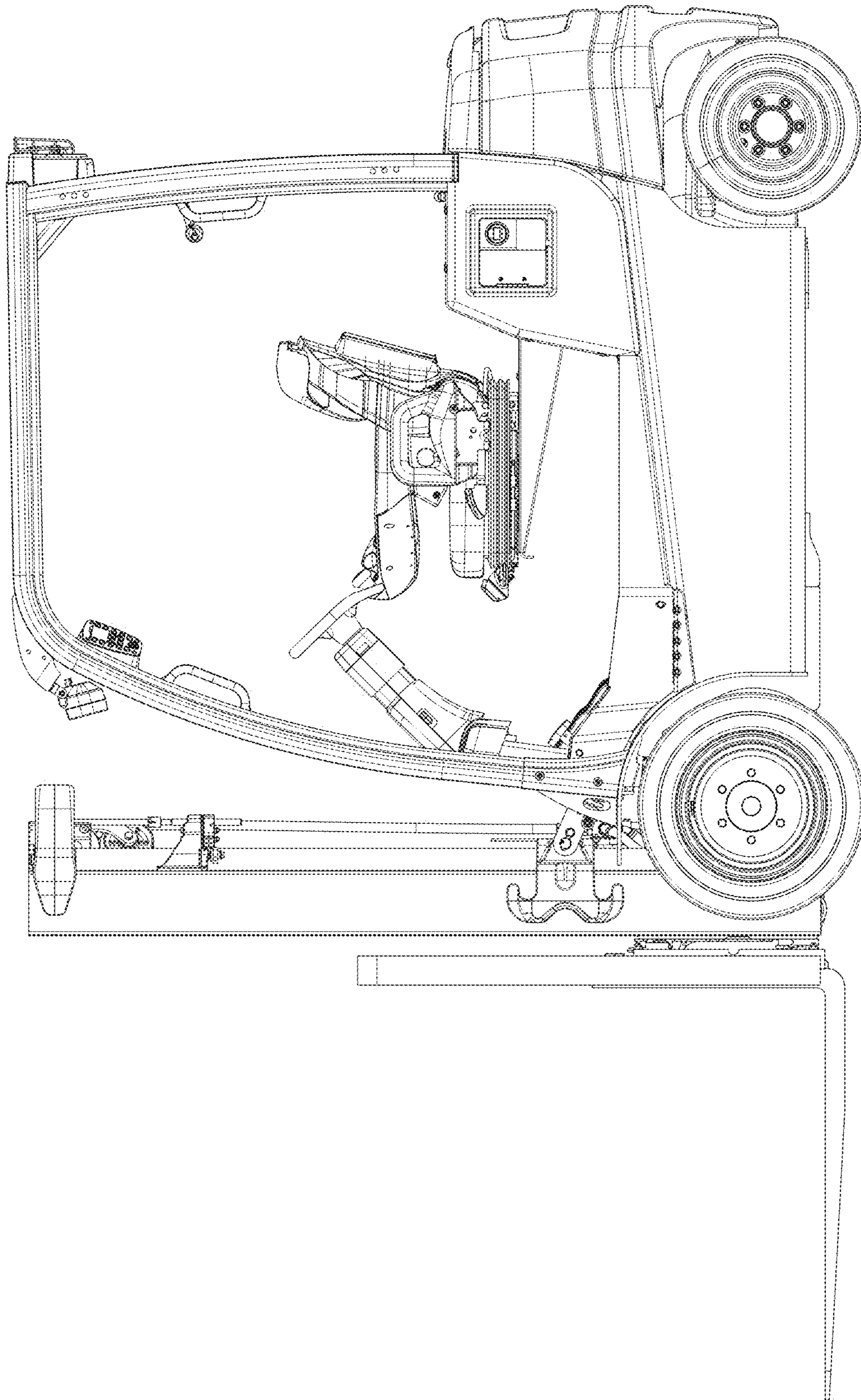


FIG. 5

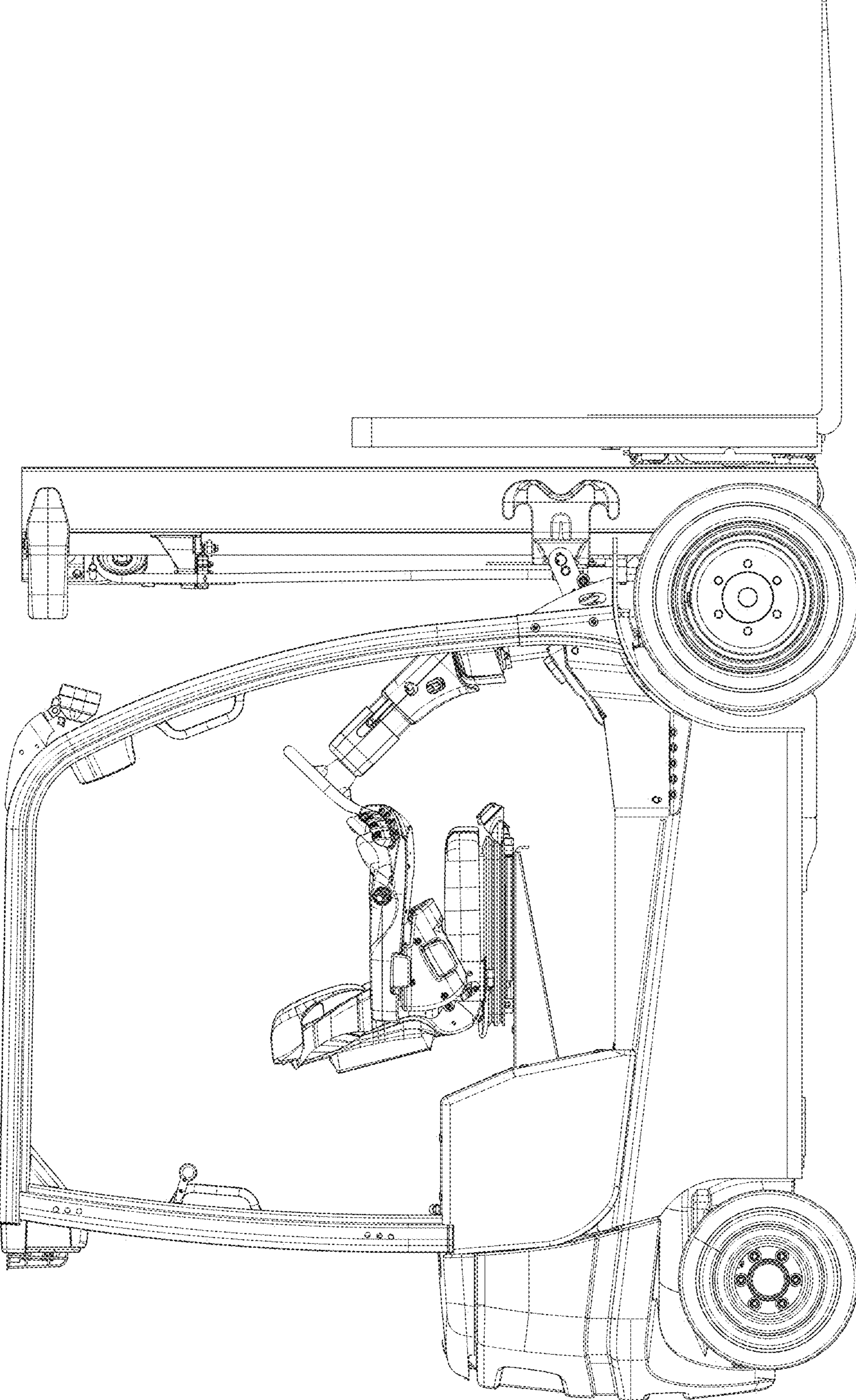


FIG. 6



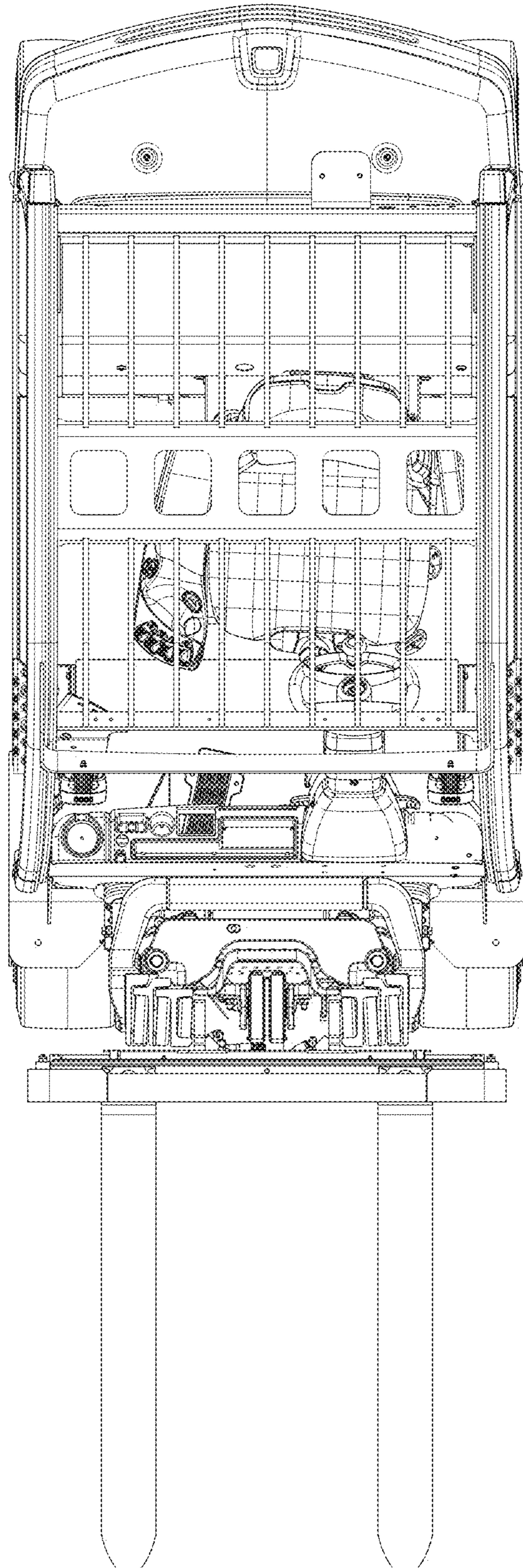


FIG. 7

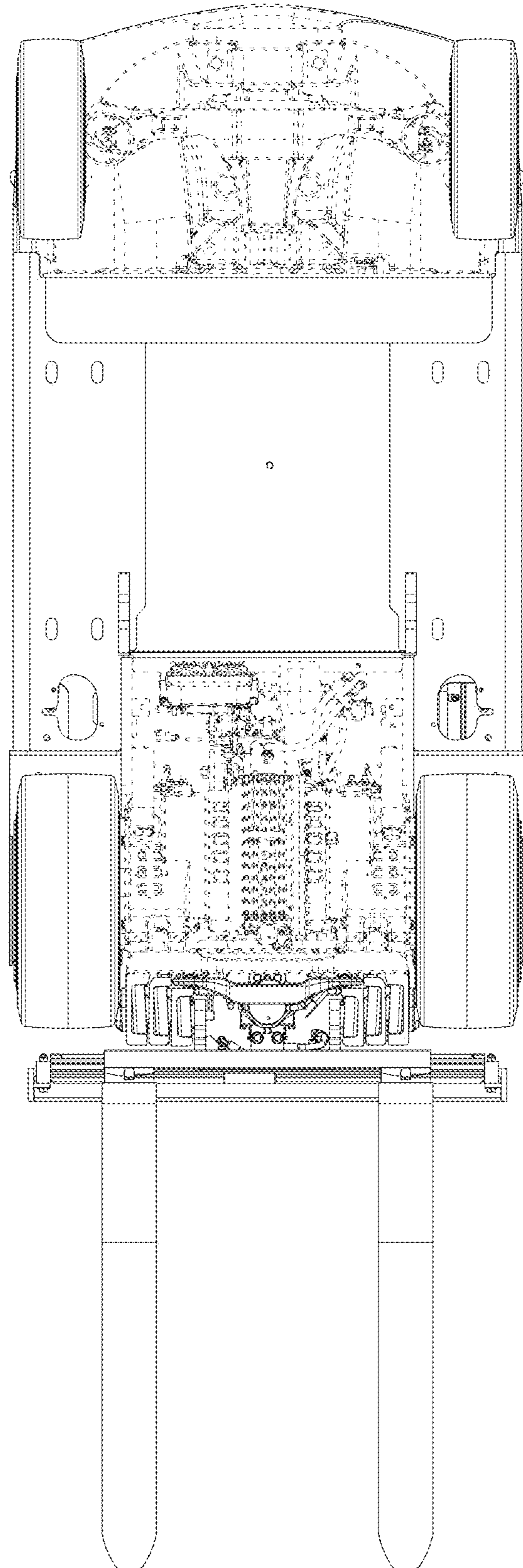


FIG. 8