



US00D907881S

(12) **United States Design Patent**
Fox et al.

(10) **Patent No.:** **US D907,881 S**
(45) **Date of Patent:** **** Jan. 12, 2021**

(54) **TRANSMISSION JACK**
(71) Applicant: **VIS, LLC**, Travelers Rest, SC (US)
(72) Inventors: **Robert Fox**, Greenville, SC (US); **Sage Youngblutt**, Greenville, SC (US)
(73) Assignee: **VIS, LLC**, Travelers Rest, SC (US)
(**) Term: **15 Years**
(21) Appl. No.: **29/728,188**
(22) Filed: **Mar. 17, 2020**

5,975,496 A * 11/1999 Hong B66F 3/42
254/2 R
6,257,552 B1 * 7/2001 Crow B66F 3/24
254/134
D475,498 S * 6/2003 Christensen D34/33
6,581,908 B1 * 6/2003 Francis B25H 1/0007
254/134
7,097,406 B1 * 8/2006 Gang B60B 29/002
254/105
D532,575 S * 11/2006 Oberg D34/28
D541,504 S * 4/2007 Landsberger D34/31
D560,324 S * 1/2008 Drake D34/31
D561,424 S * 2/2008 Drake D34/31

(Continued)

Primary Examiner — Cynthia Ramirez
(74) *Attorney, Agent, or Firm* — J. Bennett Mullinax, LLC

Related U.S. Application Data

(62) Division of application No. 29/636,942, filed on Feb. 13, 2018, now Pat. No. Des. 880,099.
(51) **LOC (13) Cl.** **12-05**
(52) **U.S. Cl.**
USPC **D34/31**
(58) **Field of Classification Search**
USPC D34/31, 35
CPC B60S 9/12; B60S 9/06; B60S 9/02; B66F 3/38; B66F 7/00; B66F 7/02; B66F 9/06; B66F 9/00; B66F 5/00; B66F 5/04; B66F 3/25; B66F 3/30; B66F 3/12; B66F 3/18; B66F 3/24; B66F 3/28; B66F 3/247
See application file for complete search history.

(57) **CLAIM**

The ornamental design for a transmission jack, as shown and described.

DESCRIPTION

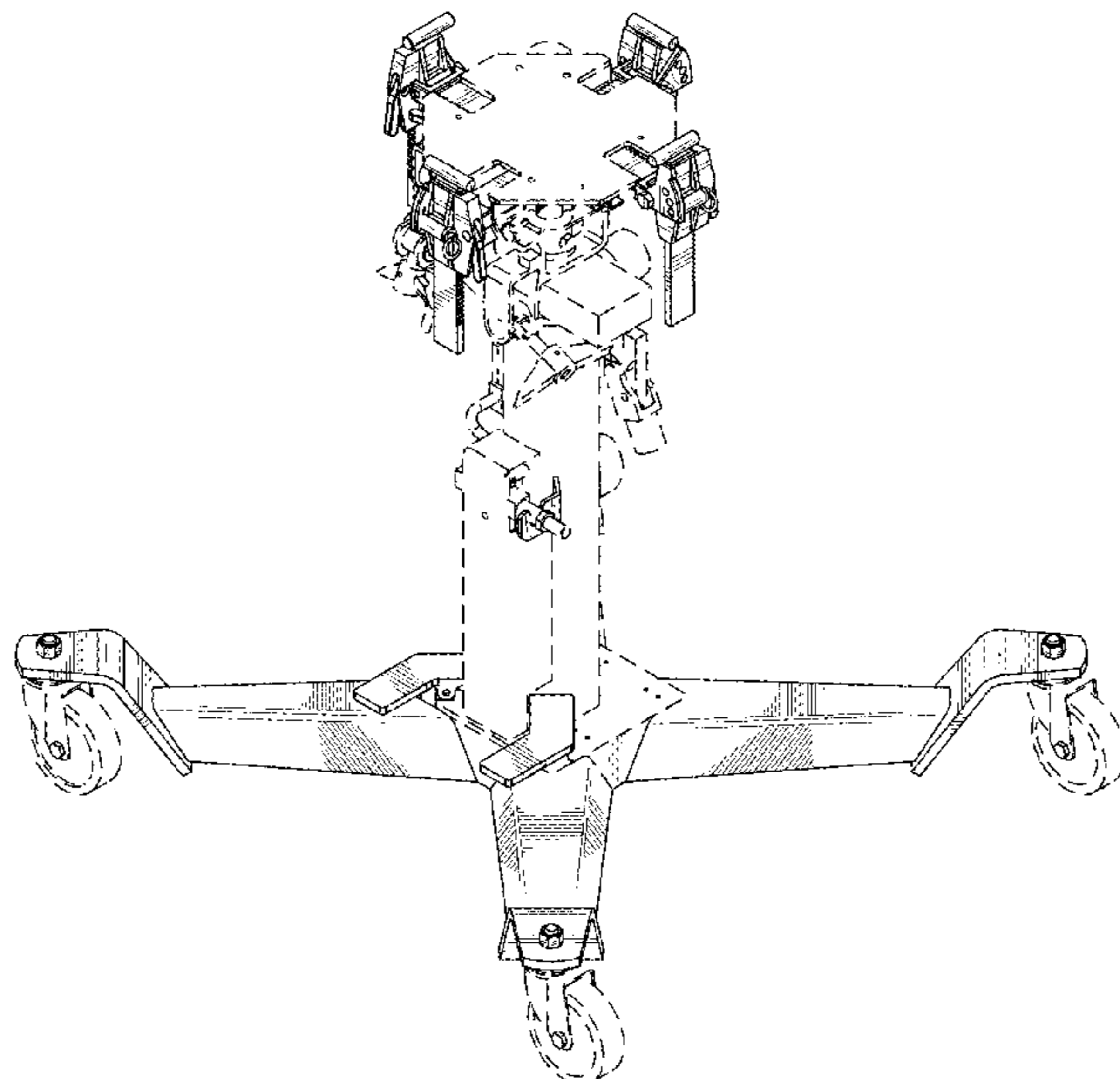
FIG. 1 is a side perspective view of the transmission jack of the present design;
FIG. 2 is a left view of the transmission jack as shown in FIG. 1;
FIG. 3 is a right view of the transmission jack as shown in FIG. 1;
FIG. 4 is a rear view of the transmission jack as shown in FIG. 1;
FIG. 5 is a front view of the transmission jack as shown in FIG. 1;
FIG. 6 is a top view of the transmission jack as shown in FIG. 1; and,
FIG. 7 is a bottom view of the transmission jack as shown in FIG. 1.
The broken lines shown in the figures are to show portions of the transmission jack, which form no part of the claimed design.

(56) **References Cited**

U.S. PATENT DOCUMENTS

4,854,803 A * 8/1989 Coccaro B60B 29/002
414/429
5,112,070 A * 5/1992 Hahn B60B 29/002
280/79.4
5,156,375 A * 10/1992 Liegel B66F 3/38
254/134
D348,340 S * 6/1994 Collins, Jr. D34/28
D370,109 S * 5/1996 Hodges D34/23

1 Claim, 7 Drawing Sheets



(56)

References Cited

U.S. PATENT DOCUMENTS

7,581,713 B1 * 9/2009 Voss B66F 3/25
254/2 B
8,231,108 B2 * 7/2012 Realegeno-Amaya ... B66F 1/02
254/134
D731,735 S * 6/2015 Martinez Martinez D34/31
9,102,344 B2 * 8/2015 Heinz B62B 3/0612
D789,015 S * 6/2017 Shu D34/31
D793,648 S * 8/2017 Jiang D34/28
D799,778 S * 10/2017 Gilman D34/31
D824,132 S * 7/2018 Shao D34/31
D846,223 S * 4/2019 Sheesley D34/31
D863,713 S * 10/2019 Fox D34/35
D880,099 S * 3/2020 Fox D34/31
D893,121 S * 8/2020 Fox D34/35
2003/0091416 A1 * 5/2003 Tortellier B60B 29/002
414/426
2008/0101898 A1 * 5/2008 Hernandez B66F 7/0641
414/426
2013/0104695 A1 * 5/2013 Kleifgen B66F 5/04
74/99 R
2015/0123055 A1 * 5/2015 Arzouman B66F 17/00
254/2 B
2015/0202921 A1 * 7/2015 Finkbeiner B60B 30/02
29/426.2
2018/0079635 A1 * 3/2018 Youngblutt B66F 13/00
2020/0062560 A1 * 2/2020 Huang B66F 3/25

* cited by examiner

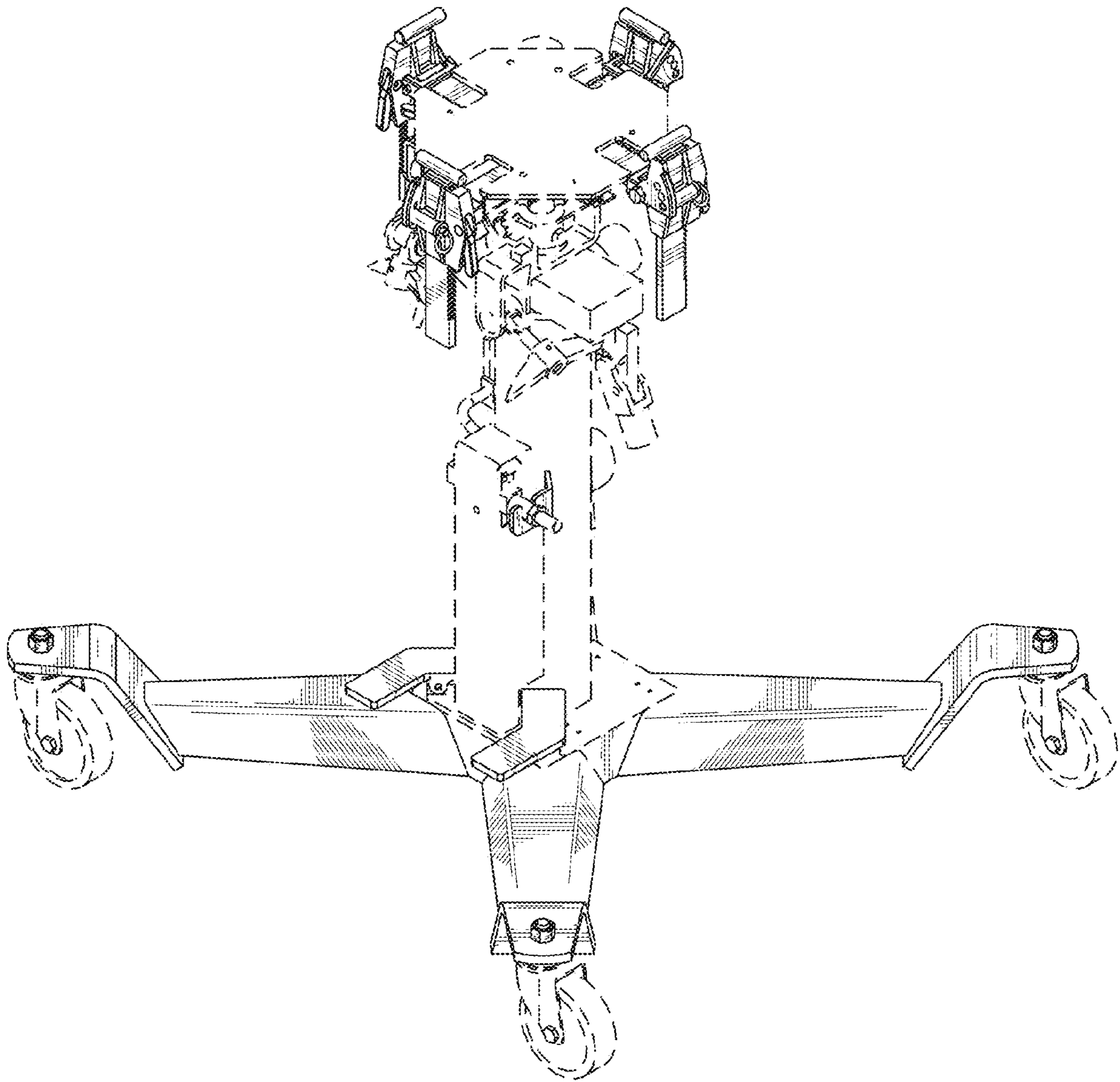


FIG. 1

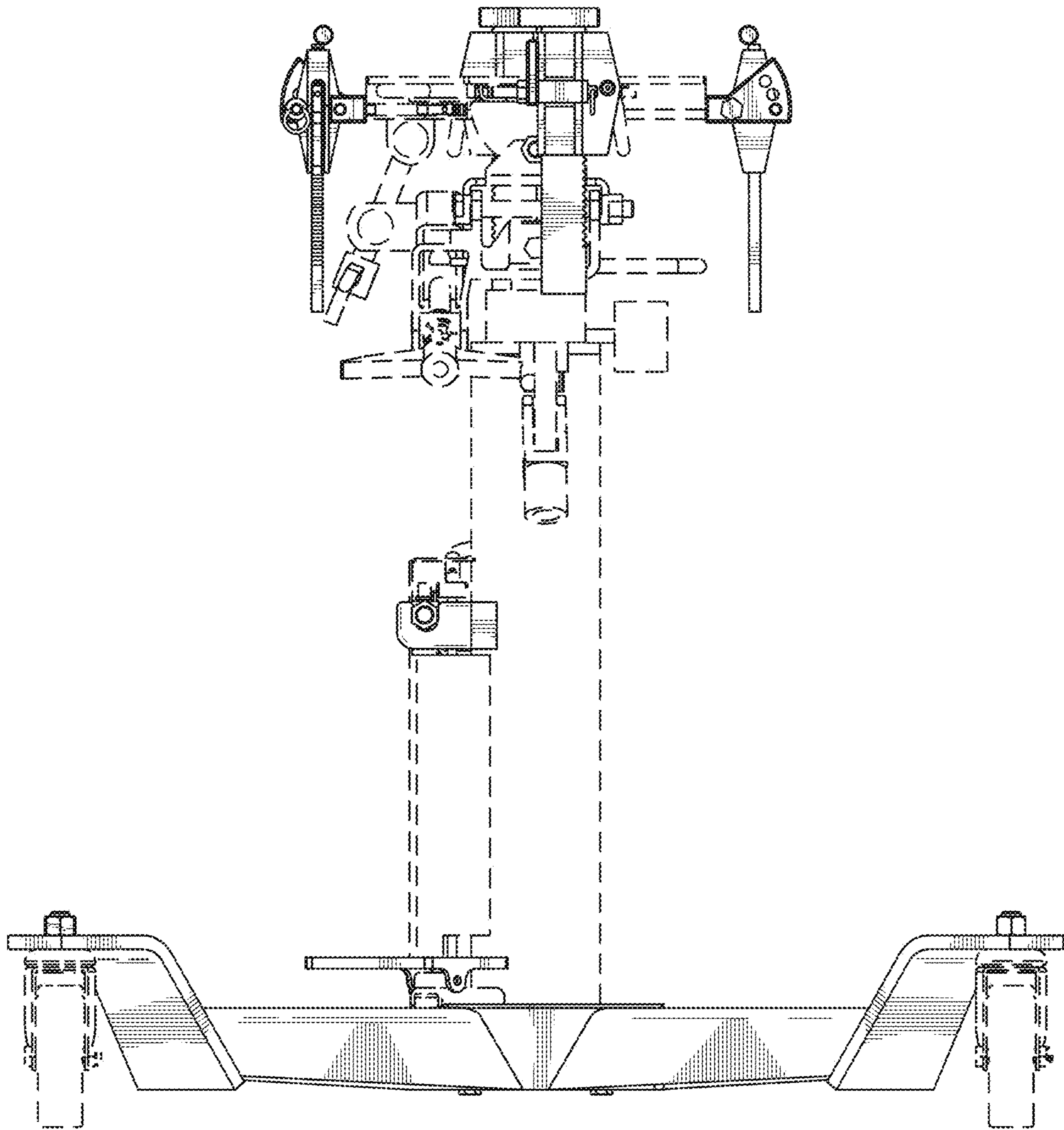


FIG. 2

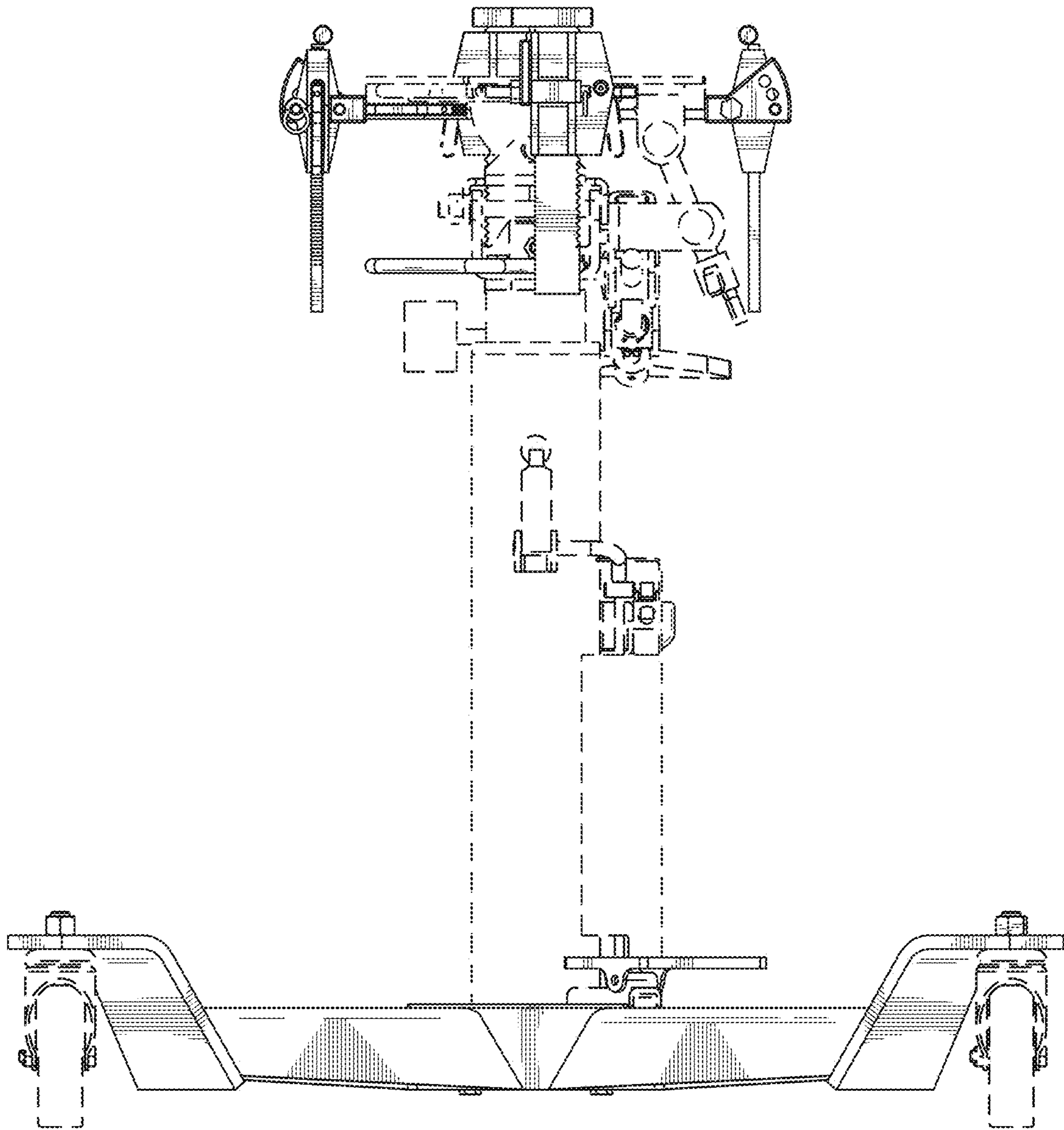


FIG. 3

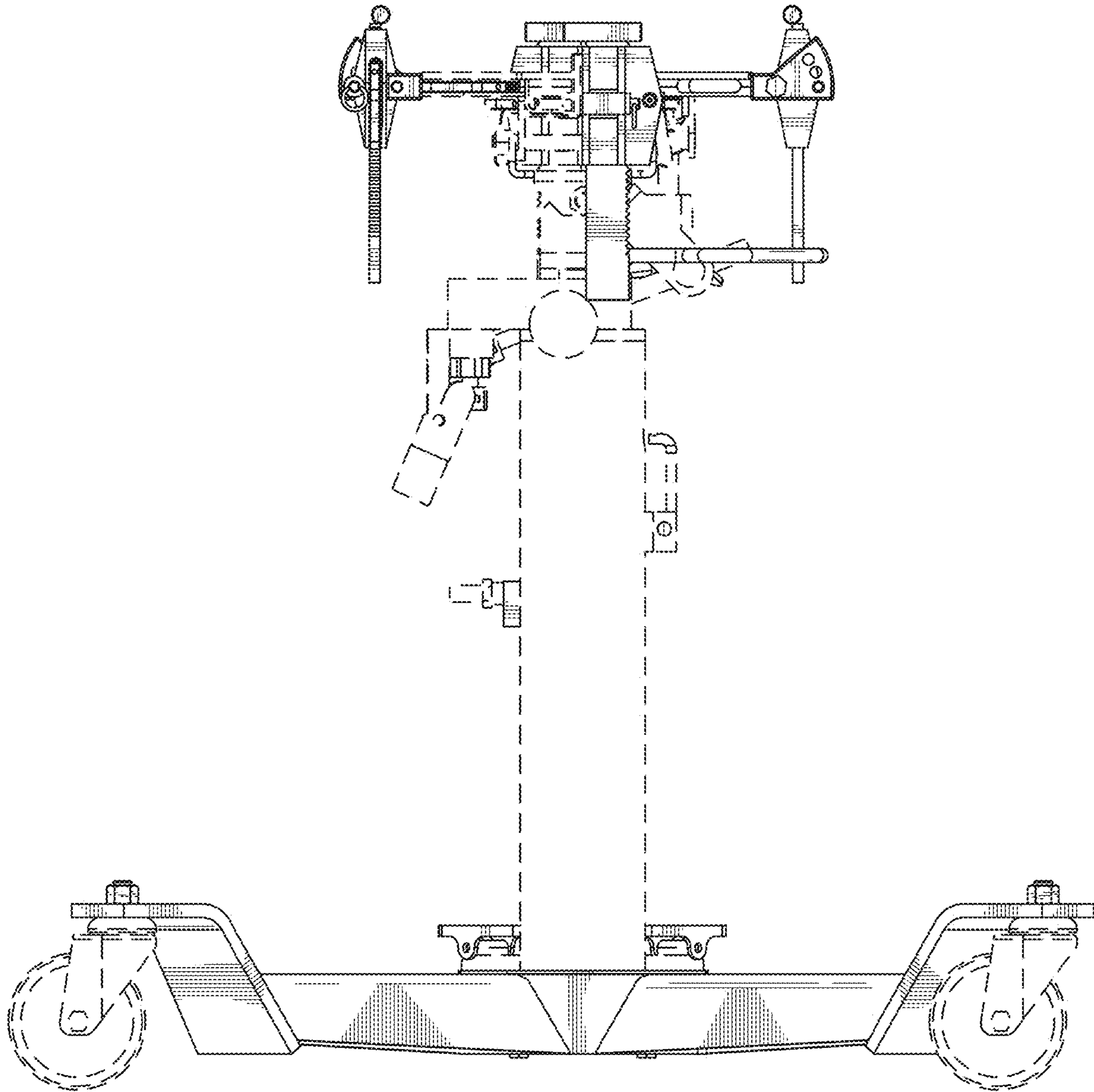


FIG. 4

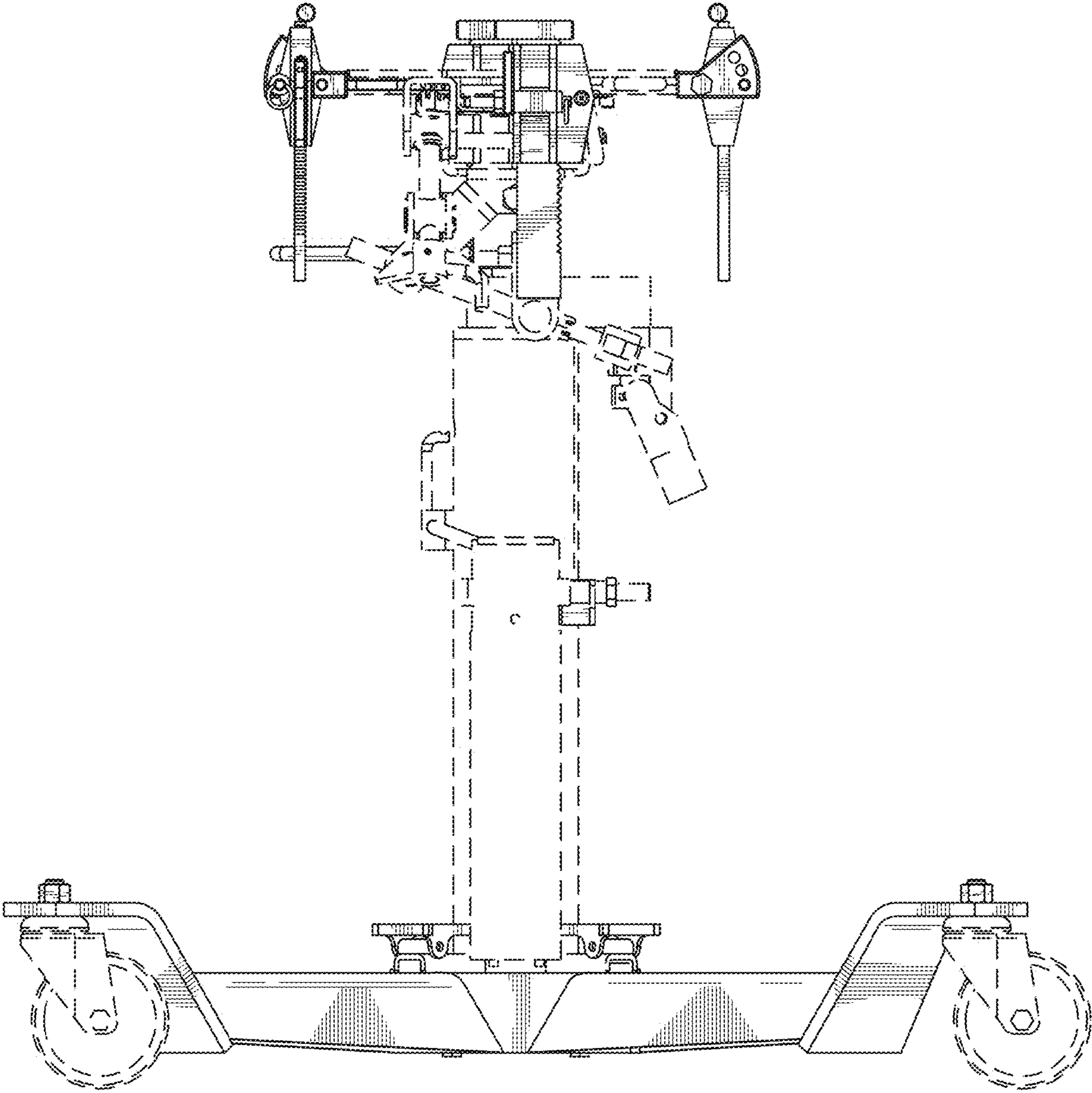


FIG. 5

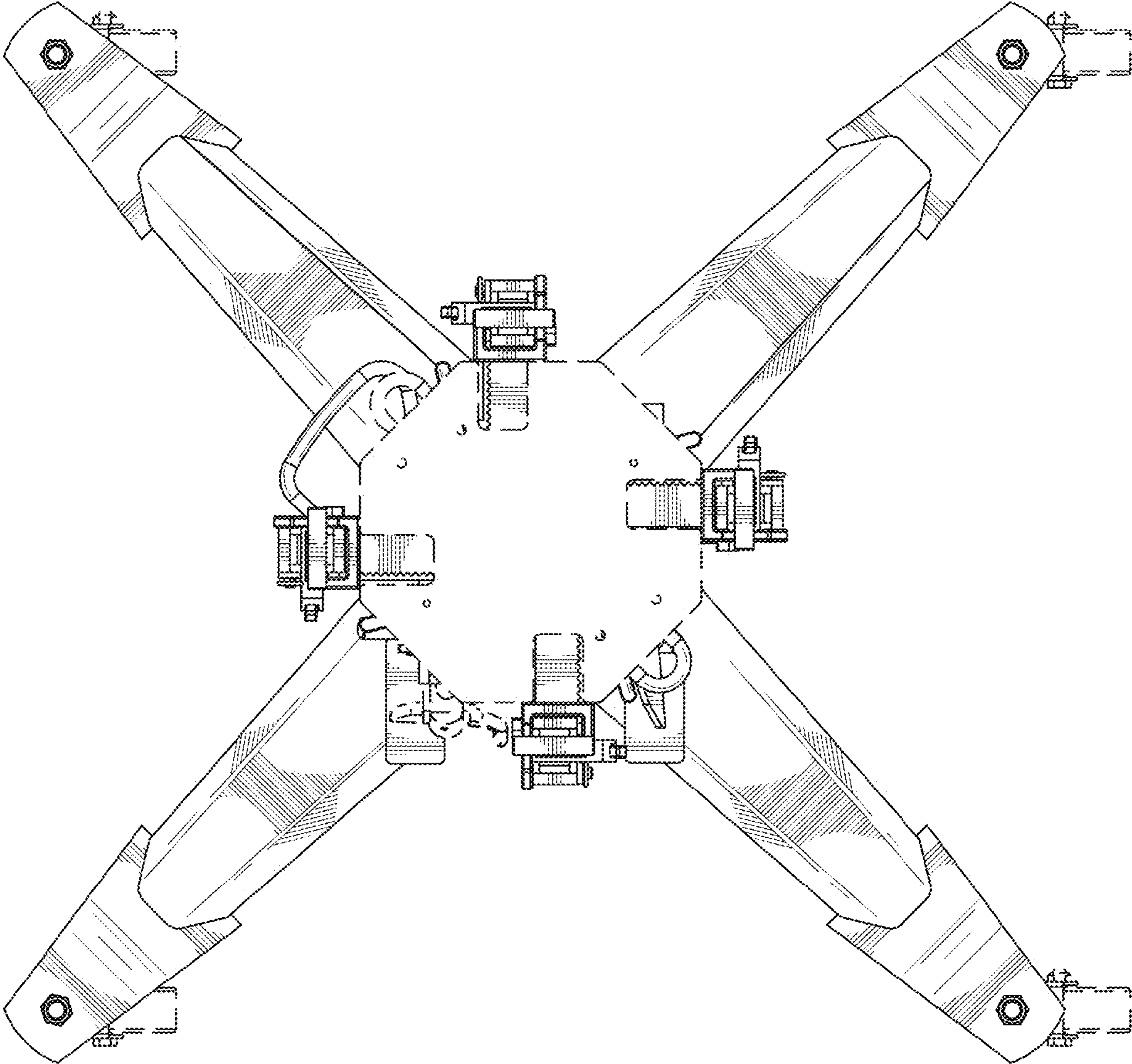


FIG. 6

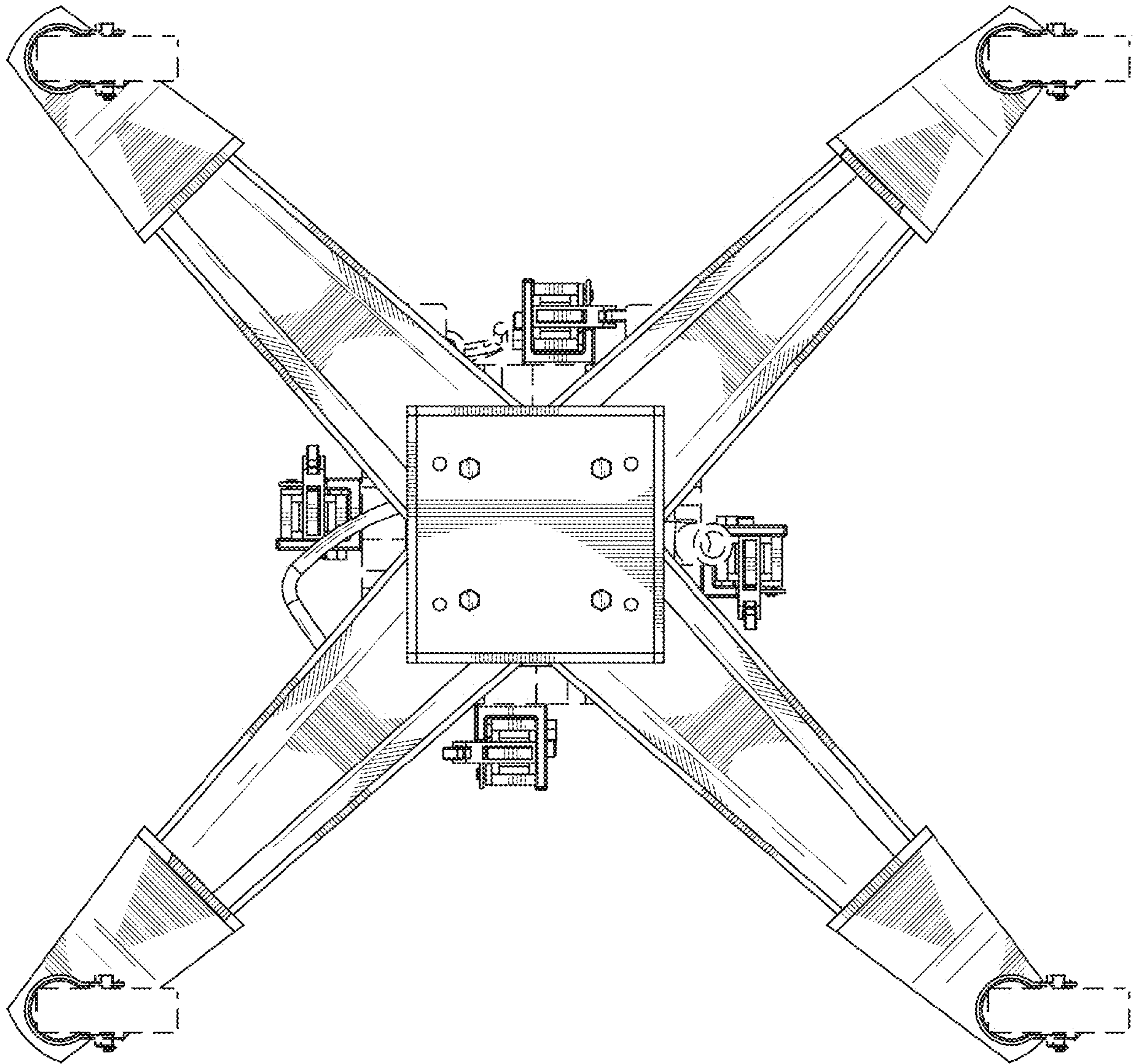


FIG. 7