



US00D907880S

(12) **United States Design Patent**
Fox et al.

(10) **Patent No.: US D907,880 S**
(45) **Date of Patent: ** Jan. 12, 2021**

(54) **UNDER HOIST SUPPORT STAND**

FOREIGN PATENT DOCUMENTS

(71) Applicant: **VIS, LLC**, Travelers Rest, SC (US)
(72) Inventors: **Robert Fox**, Greenville, SC (US);
Nathan Harvell, Greenville, SC (US)
(73) Assignee: **VIS, LLC**, Travelers Rest, SC (US)

EP	0522230	1/1993
EP	0527110	2/1993
FR	1149059	12/1957
FR	2764961	12/1998
GB	2305677	4/1997
GB	2325012	11/1998

(**) Term: **15 Years**

OTHER PUBLICATIONS

(21) Appl. No.: **29/671,674**

Intellectual Property Office Search Report Under Section 17(5); 4 Pages.

(22) Filed: **Nov. 29, 2018**

* cited by examiner

(51) **LOC (13) Cl.** **12-05**

Primary Examiner — Gino Colan

(52) **U.S. Cl.**
USPC **D34/31**

(74) *Attorney, Agent, or Firm* — J. Bennett Mullinax, LLC

(58) **Field of Classification Search**
USPC D34/28, 31, 33, 34, 35; 254/8 B, 93 H,
254/213, 134, DIG. 1, 89 H, 93 R, 30,
254/418, 93 L, 94; 248/357
CPC B66F 5/00; B66F 5/04; B66F 1/06; B66F
3/24; B66F 3/30; B66F 3/08; B66F 1/08;
B66F 3/00; B66F 1/00; B66F 3/36; B66F
3/42; B66F 3/38; B66F 2700/09
See application file for complete search history.

(57) **CLAIM**

The ornamental design for a under hoist support stand, as shown and described.

(56) **References Cited**

DESCRIPTION

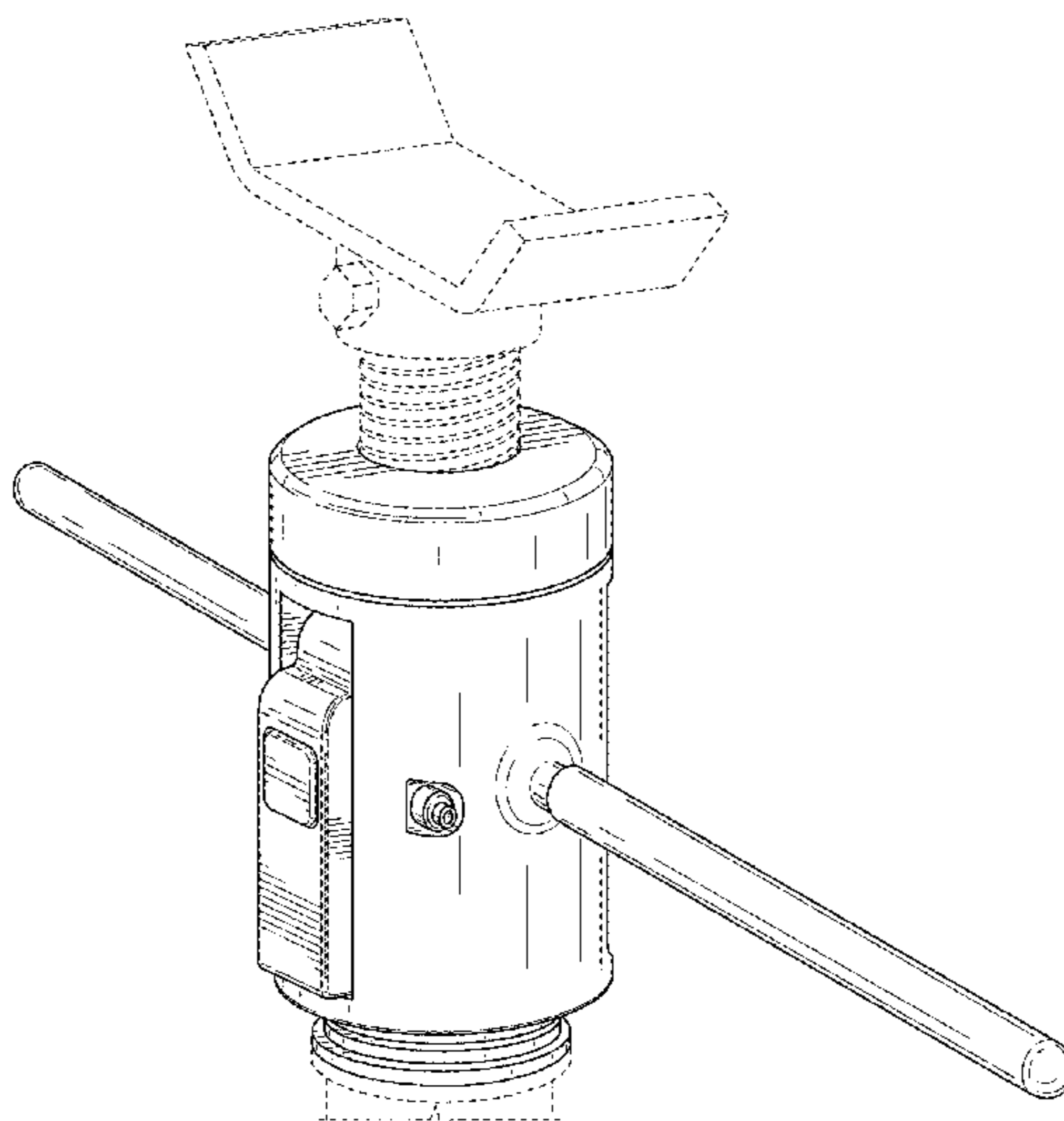
U.S. PATENT DOCUMENTS

D224,431 S *	7/1972	Keegan	D34/31
4,966,345 A	10/1990	Bersier		
D345,844 S *	4/1994	Steele	D34/28
D348,966 S *	7/1994	Guyton	D34/28
D357,786 S *	4/1995	Nichols	D34/31
6,053,477 A *	4/2000	Price	B60S 9/04 254/94
6,708,966 B1	3/2004	Troutt		
8,025,279 B2	9/2011	Seber		
D656,289 S *	3/2012	Crump	D34/31
8,162,289 B2 *	4/2012	McCaleb	E04G 23/0218 248/357
9,022,375 B2	5/2015	Allred		
D776,394 S *	1/2017	Crump	D34/31

FIG. 1 is a front perspective view of the under hoist support stand as shown in FIG. 1;
FIG. 2 is a front view of the under hoist support stand as shown in FIG. 1;
FIG. 3 is a rear view of the under hoist support stand as shown in FIG. 1;
FIG. 4 is a left side view of the under hoist support stand as shown in FIG. 1;
FIG. 5 is a right side view of the under hoist support stand as shown in FIG. 1
FIG. 6 is a top view of the under hoist support stand as shown in FIG. 1; and,
FIG. 7 is a bottom view of the under hoist support stand as shown in FIG. 1.

The broken lines shown in the FIGS. 1-7 are for the purpose of illustrating portions of the under hoist support stand and form no part of the claimed design.

1 Claim, 6 Drawing Sheets



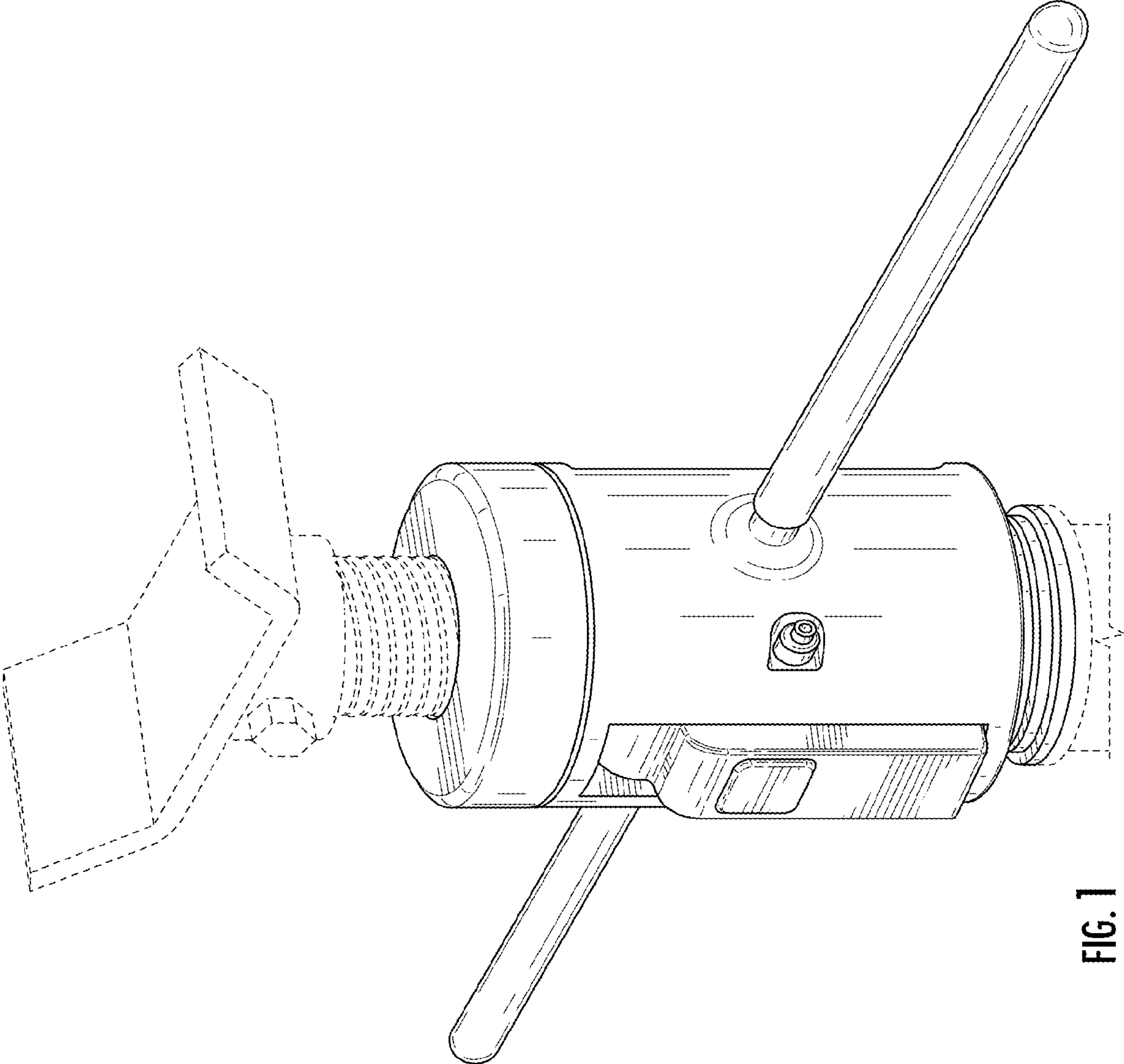


FIG. 1

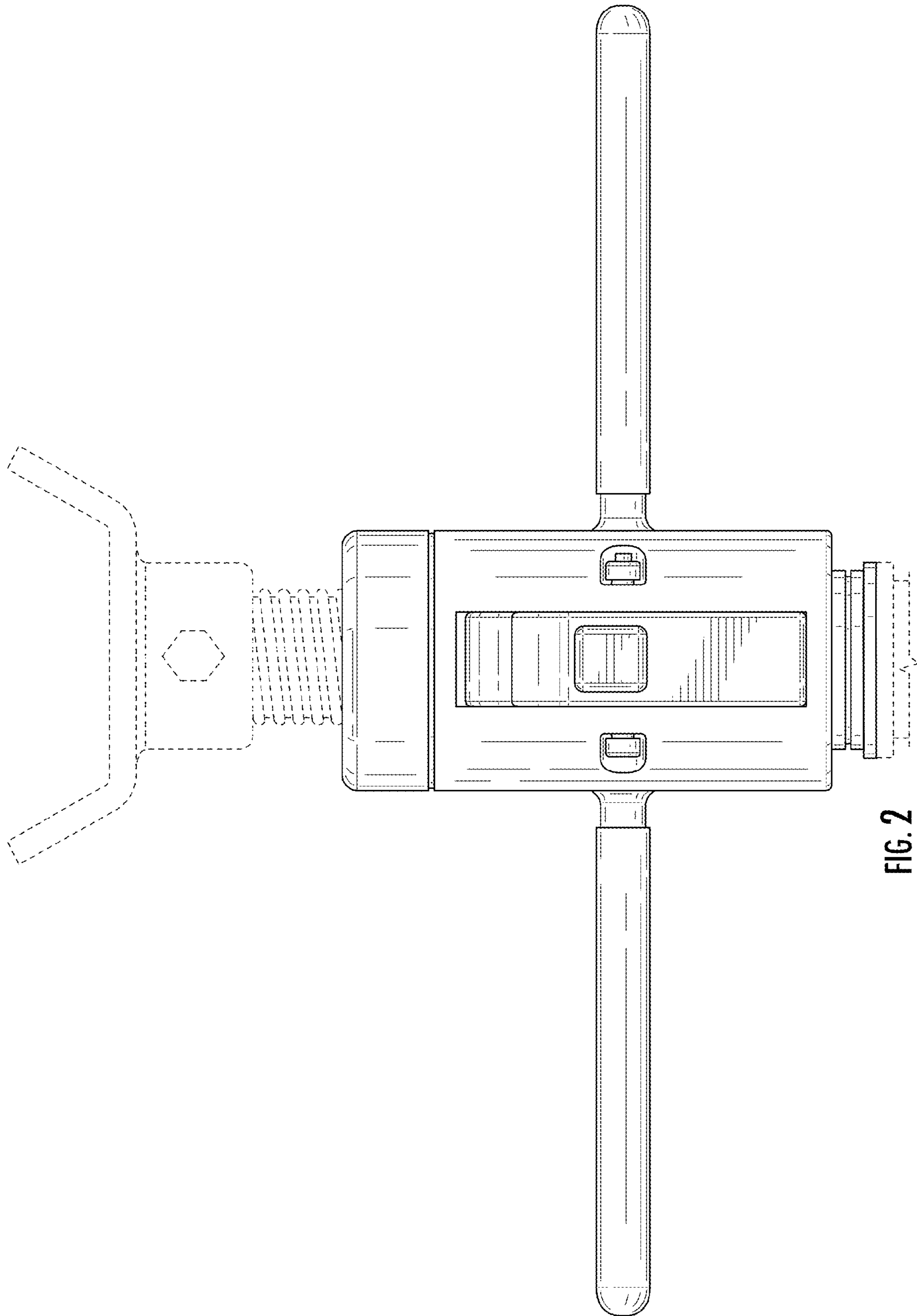


FIG. 2

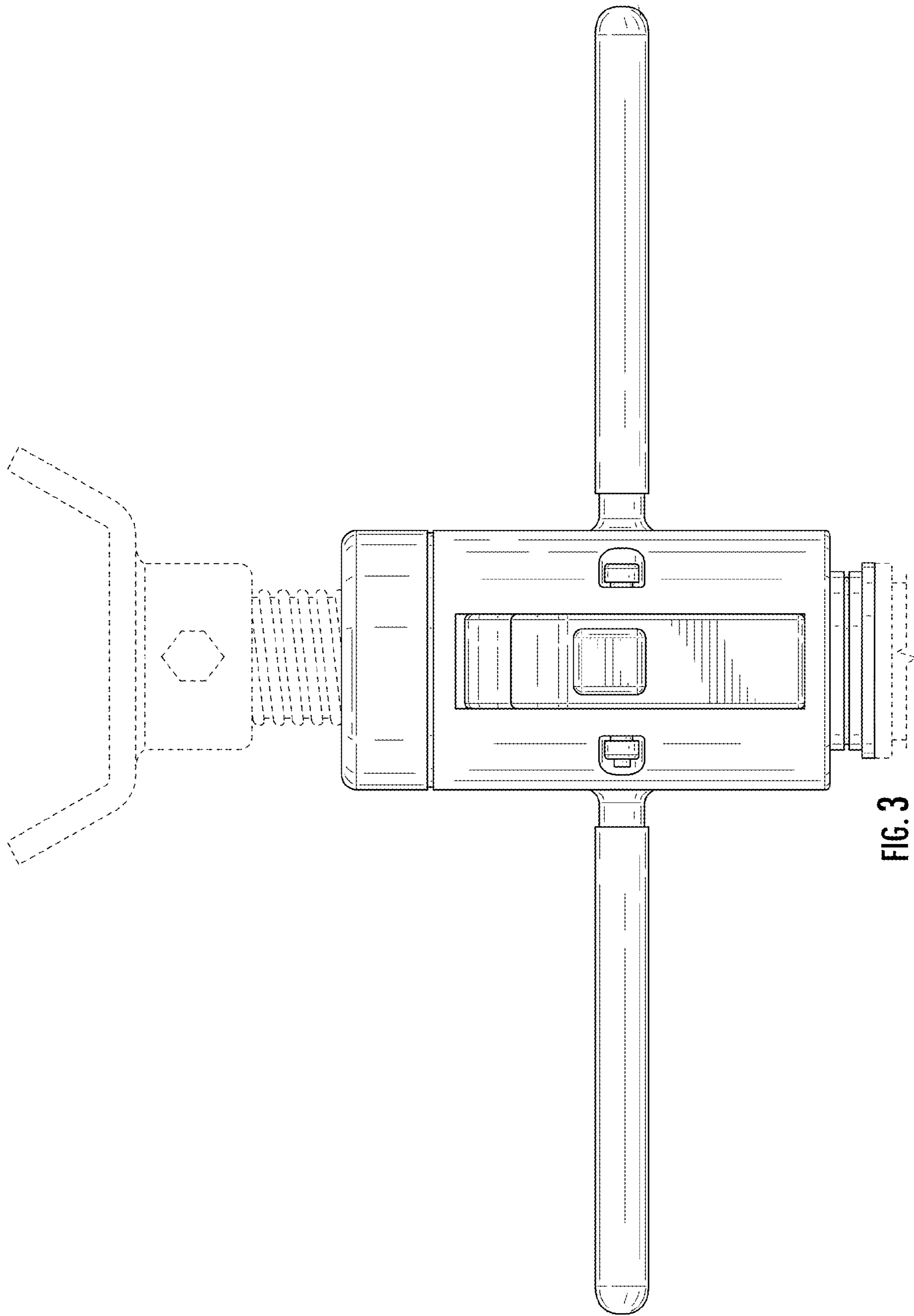


FIG. 3

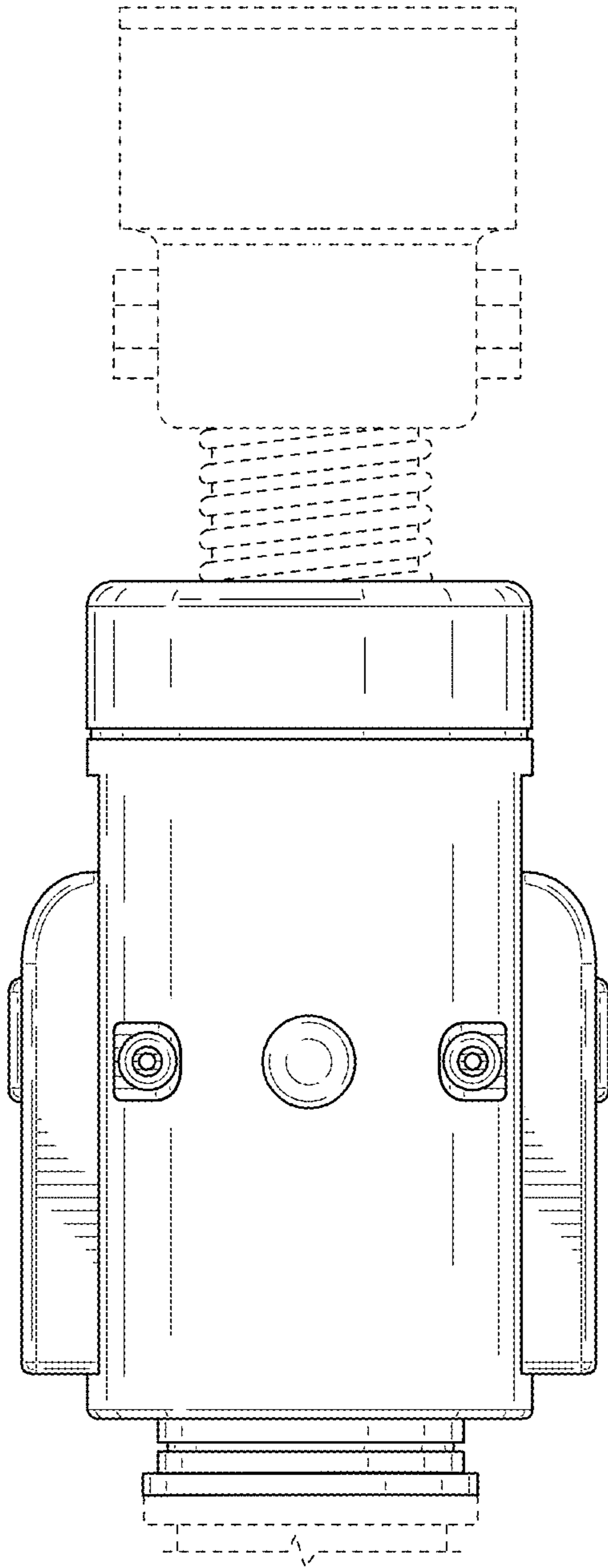


FIG. 4

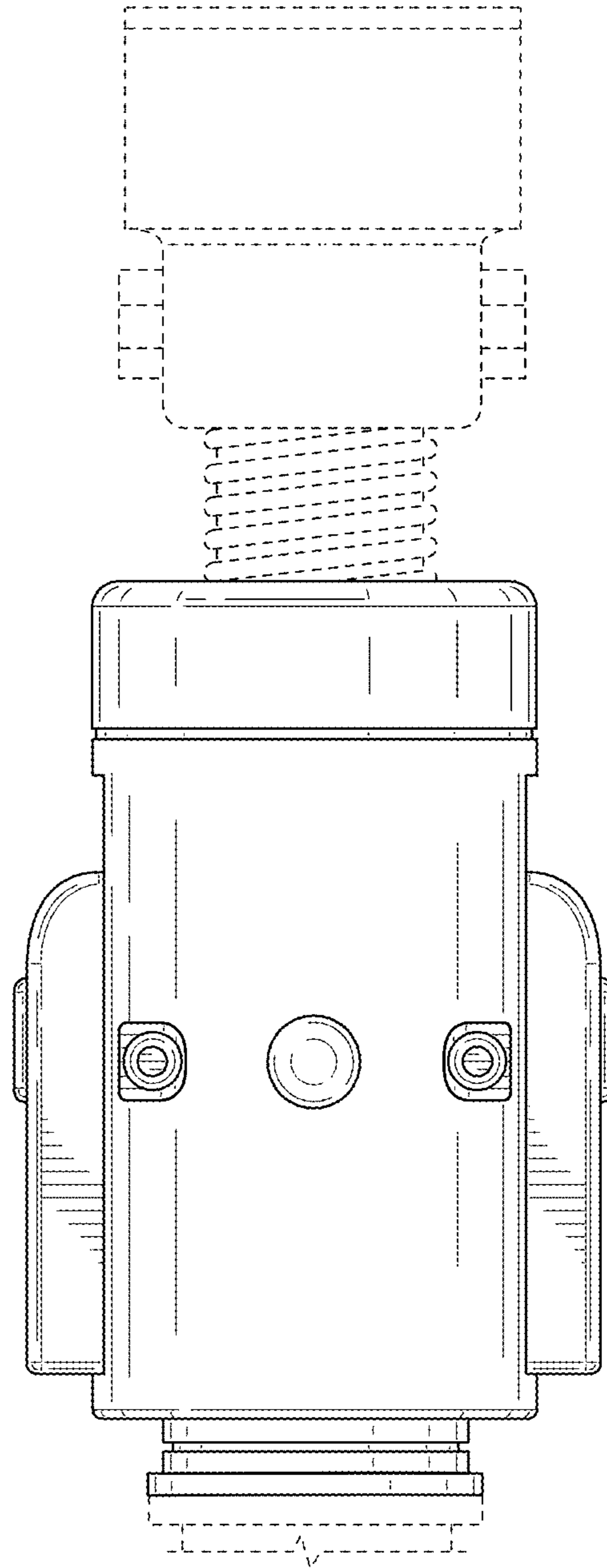


FIG. 5

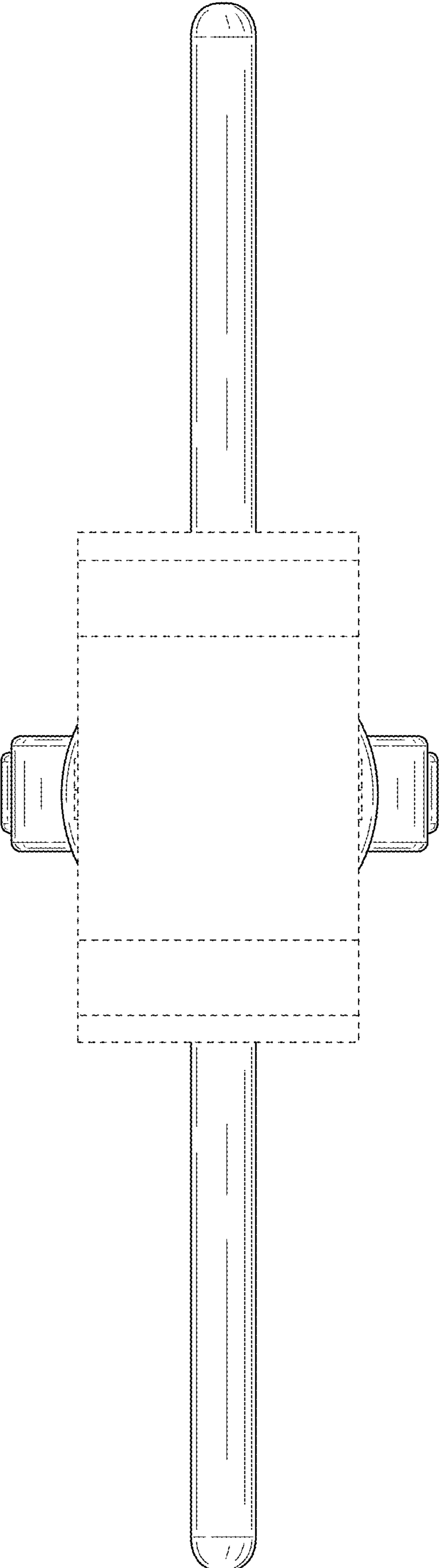


FIG. 6

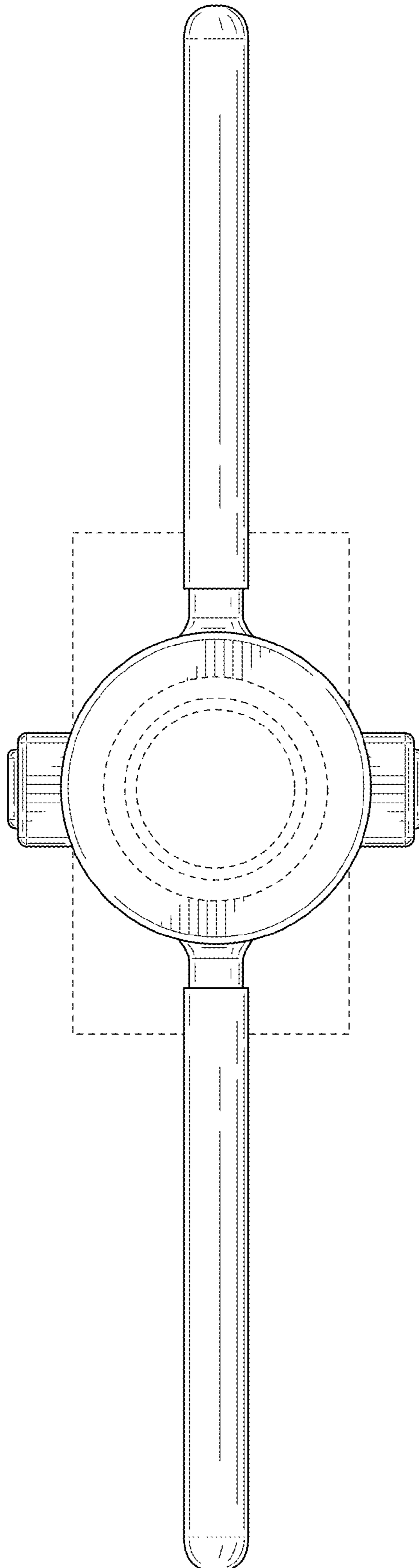


FIG. 7