



US00D907879S

(12) **United States Design Patent**
Youngblutt

(10) **Patent No.:** **US D907,879 S**
(45) **Date of Patent:** **** Jan. 12, 2021**

(54) **SERVICE JACK**
(71) Applicant: **VIS, LLC**, Travelers Rest, SC (US)
(72) Inventor: **Sage Youngblutt**, Greenville, SC (US)
(73) Assignee: **VIS, LLC**, Travelers Rest, SC (US)
(**) Term: **15 Years**
(21) Appl. No.: **29/650,858**

D646,453 S * 10/2011 Zhou D34/31
D688,845 S 8/2013 Hernandez et al.
8,500,095 B1 8/2013 Salcedo
8,608,131 B2 12/2013 Kania
8,622,369 B2 1/2014 Kania
D720,514 S * 12/2014 Fox D34/31
D720,914 S 1/2015 Fox
D720,915 S 1/2015 Fox
D730,612 S * 5/2015 James D34/31
D764,736 S * 8/2016 Fox D34/31
D799,142 S 10/2017 Fox
D823,569 S * 7/2018 Fox D34/31
D828,972 S * 9/2018 Wu D34/31
D855,922 S * 8/2019 Fox D34/31

(Continued)

(22) Filed: **Jun. 11, 2018**
(51) **LOC (13) Cl.** **12-05**
(52) **U.S. Cl.**
USPC **D34/31**
(58) **Field of Classification Search**
USPC D34/28, 31, 34, 35; 254/8 B, 93 H, 2 B,
254/1, 93 R, 129, 84
CPC B66F 5/04; B66F 3/42; B66F 7/04; B66F
7/0658; B66F 7/08; B66F 7/085
See application file for complete search history.

Primary Examiner — Gino Colan
(74) *Attorney, Agent, or Firm* — J. Bennett Mullinax,
LLC

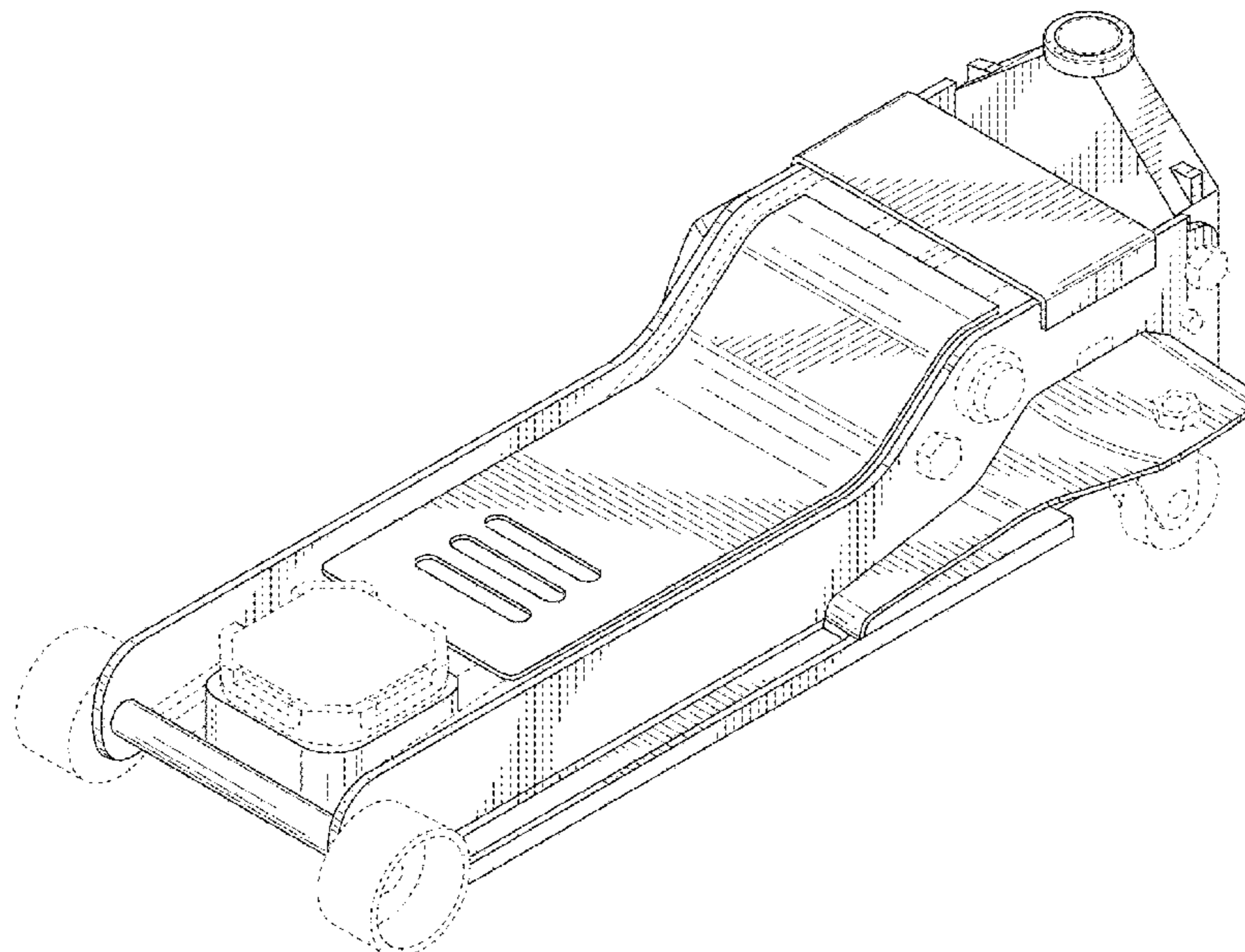
(57) **CLAIM**
The ornamental design for a service jack, as shown and described.

DESCRIPTION

(56) **References Cited**
U.S. PATENT DOCUMENTS
D284,417 S 6/1986 Yamagishi
D296,598 S 7/1988 Taylor et al.
D332,337 S 1/1993 Wang
D358,923 S * 5/1995 Hawkins D34/31
D388,926 S 1/1998 Sorensen
D421,516 S 3/2000 Hung
D452,597 S 12/2001 Hung
D453,983 S 2/2002 Lin
D480,198 S 9/2003 Hsu
D483,169 S 12/2003 Fox
D485,412 S * 1/2004 Hung D34/31
D531,377 S 10/2006 Liu
D582,623 S 12/2008 Qian
D590,121 S 4/2009 Shen et al.
D604,025 S 11/2009 Lin
D628,760 S 12/2010 Fox et al.

FIG. 1 is a front perspective view of the service jack as shown in FIG. 1;
FIG. 2 is a top view of the service jack as shown in FIG. 1;
FIG. 3 is a bottom view of the service jack as shown in FIG. 1;
FIG. 4 is a left side view of the service jack as shown in FIG. 1;
FIG. 5 is a right side view of the service jack as shown in FIG. 1;
FIG. 6 is a front view of the service jack as shown in FIG. 1; and,
FIG. 7 is a rear view of the service jack as shown in FIG. 1.
The broken lines shown in the figures are for the purpose of illustrating portions of the service jack and form no part of the claimed design.

1 Claim, 6 Drawing Sheets



(56)

References Cited

U.S. PATENT DOCUMENTS

2006/0278858 A1 12/2006 Brocchini, Jr.
2008/0083913 A1 4/2008 Fang et al.

* cited by examiner

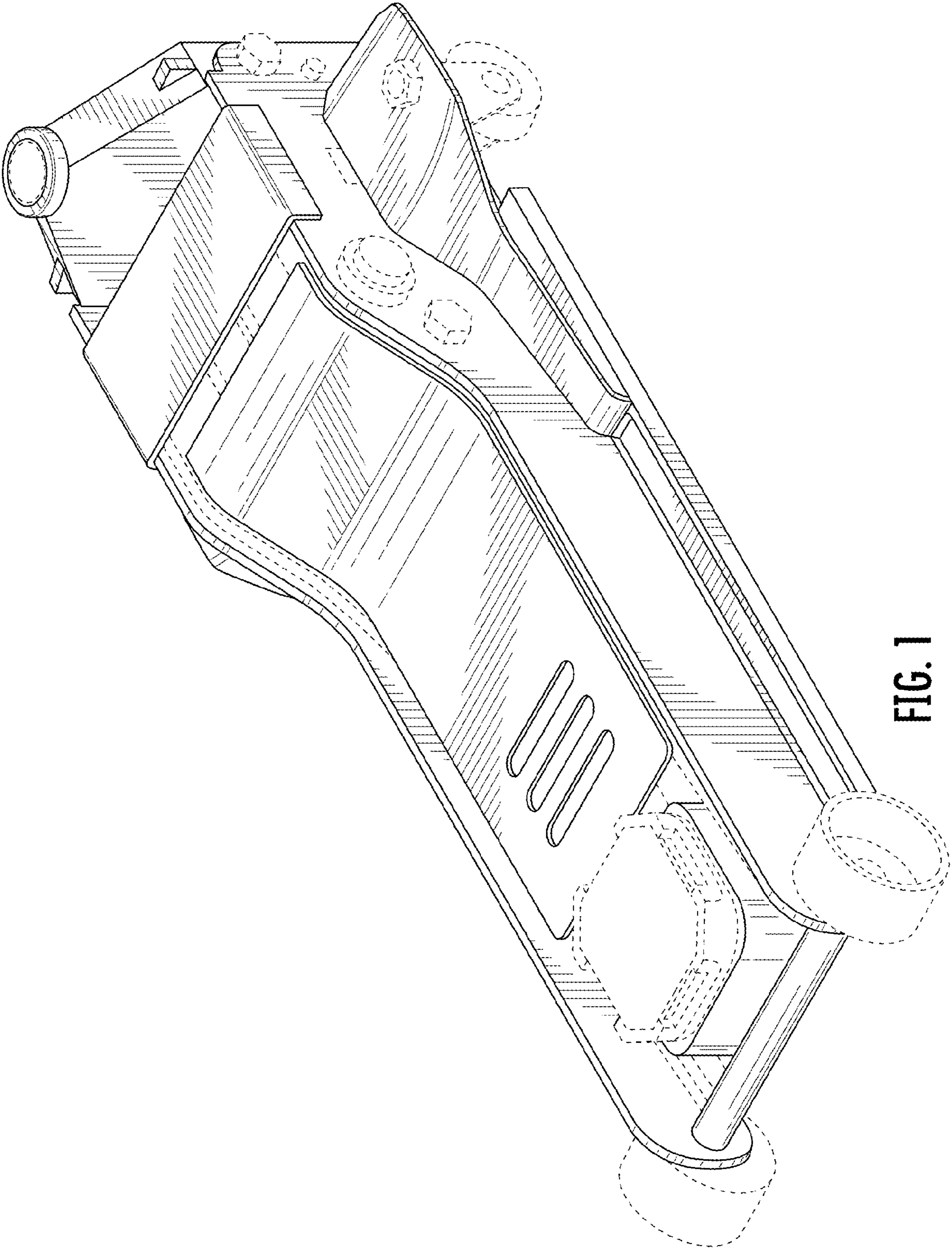


FIG. 1

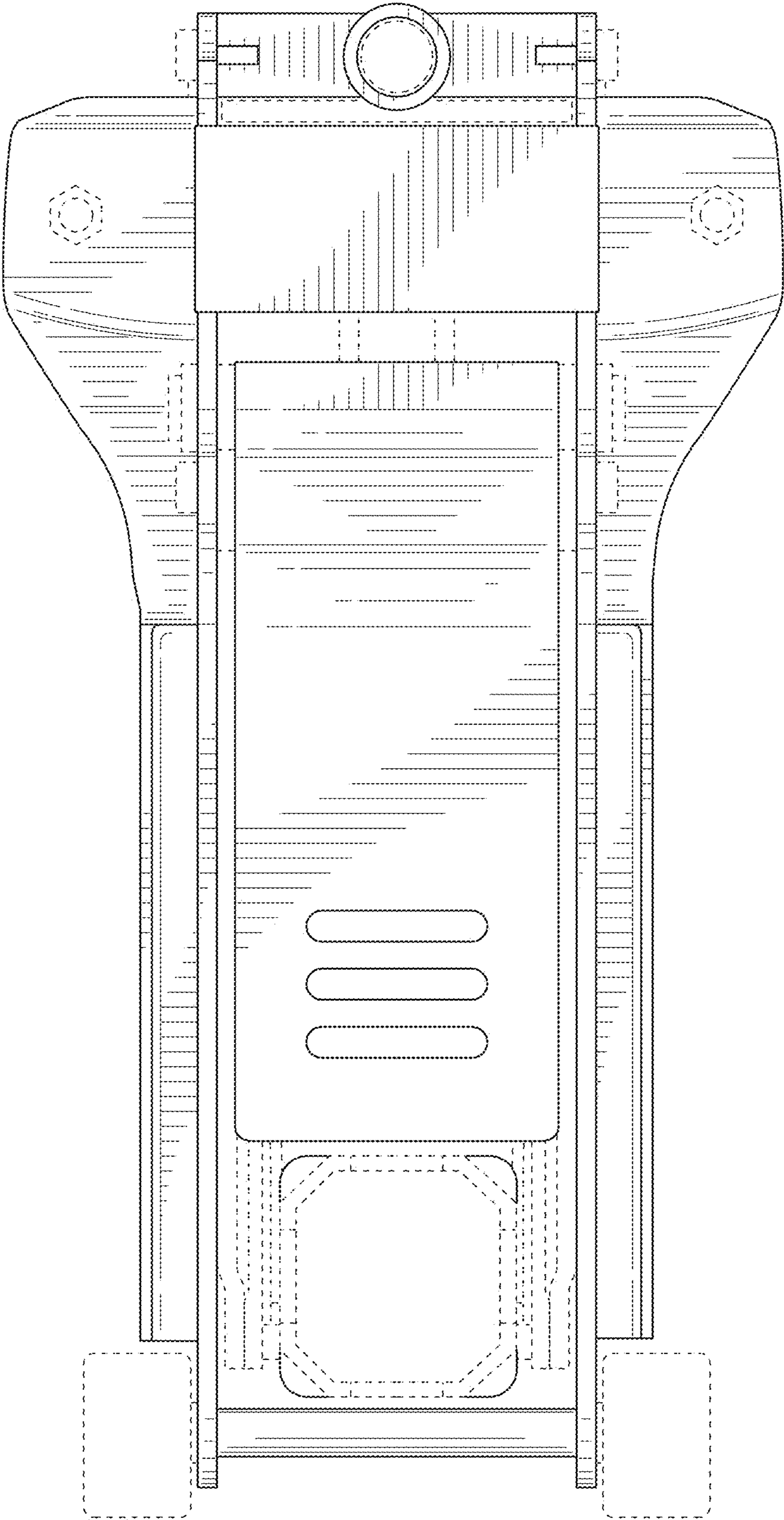


FIG. 2

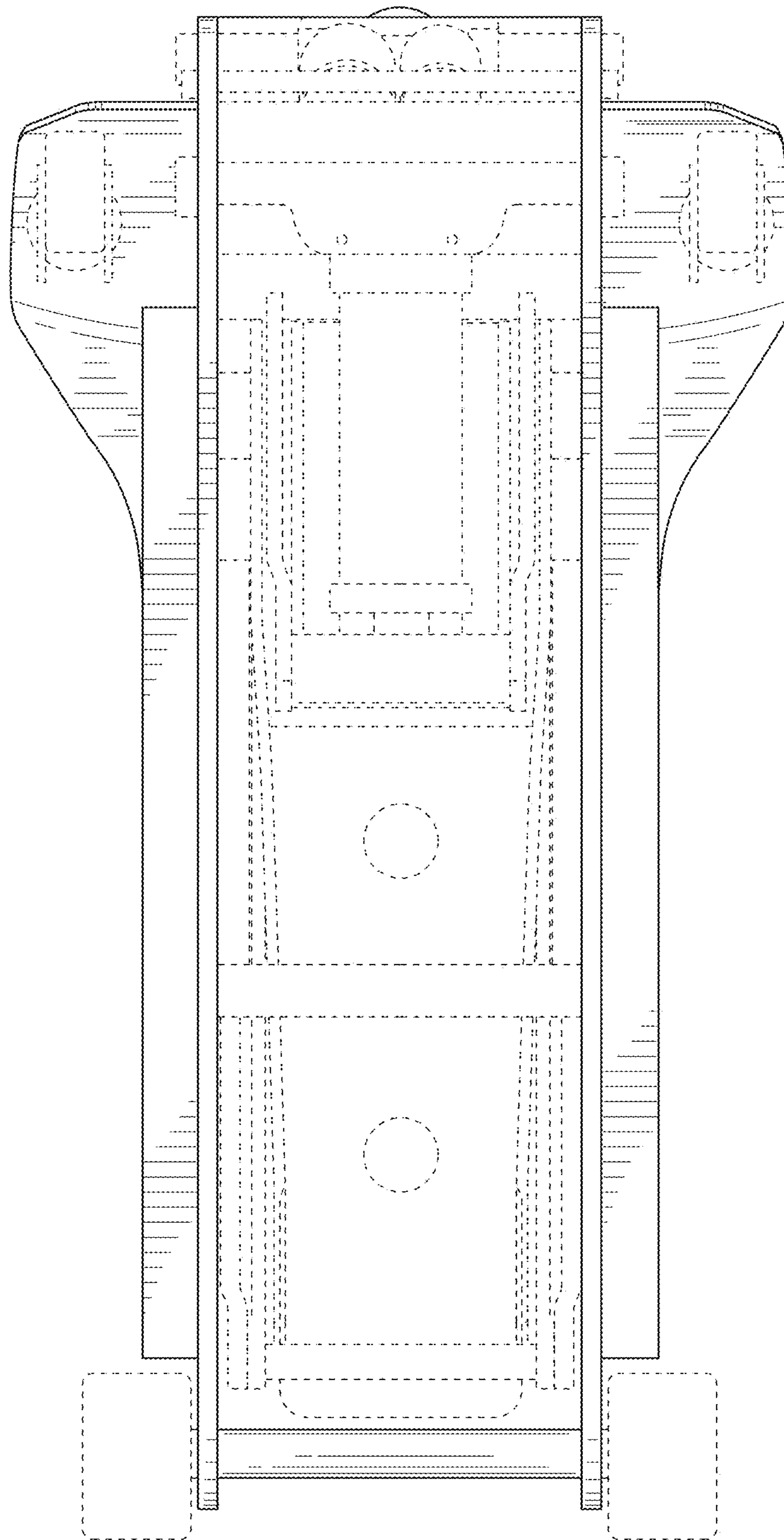


FIG. 3

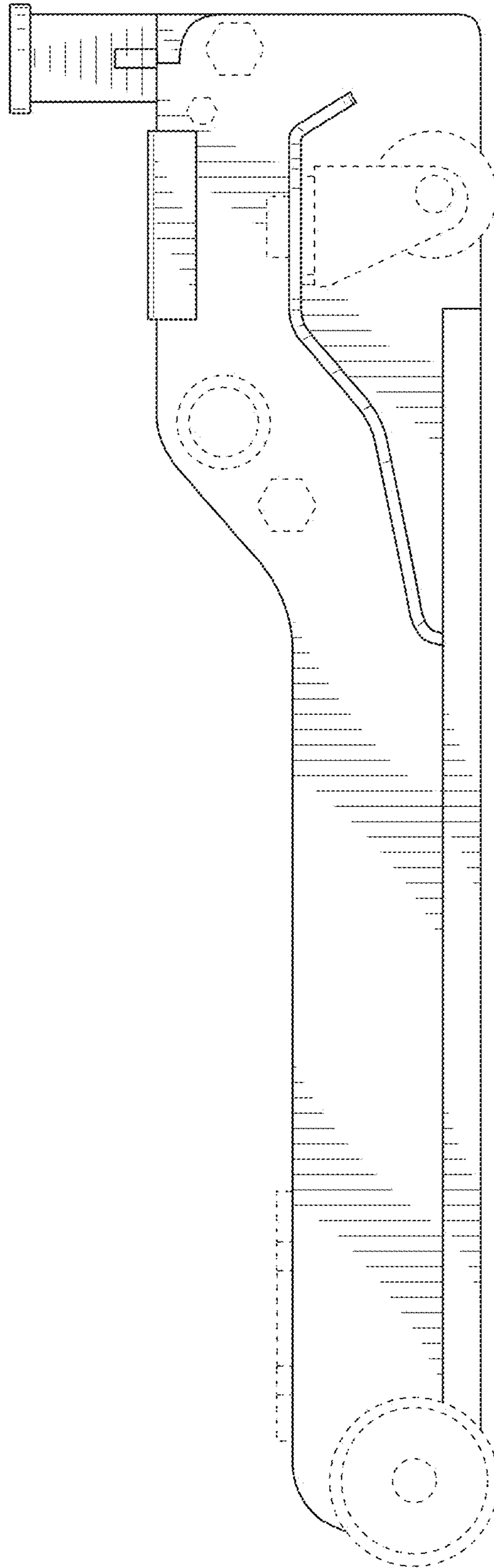


FIG. 4

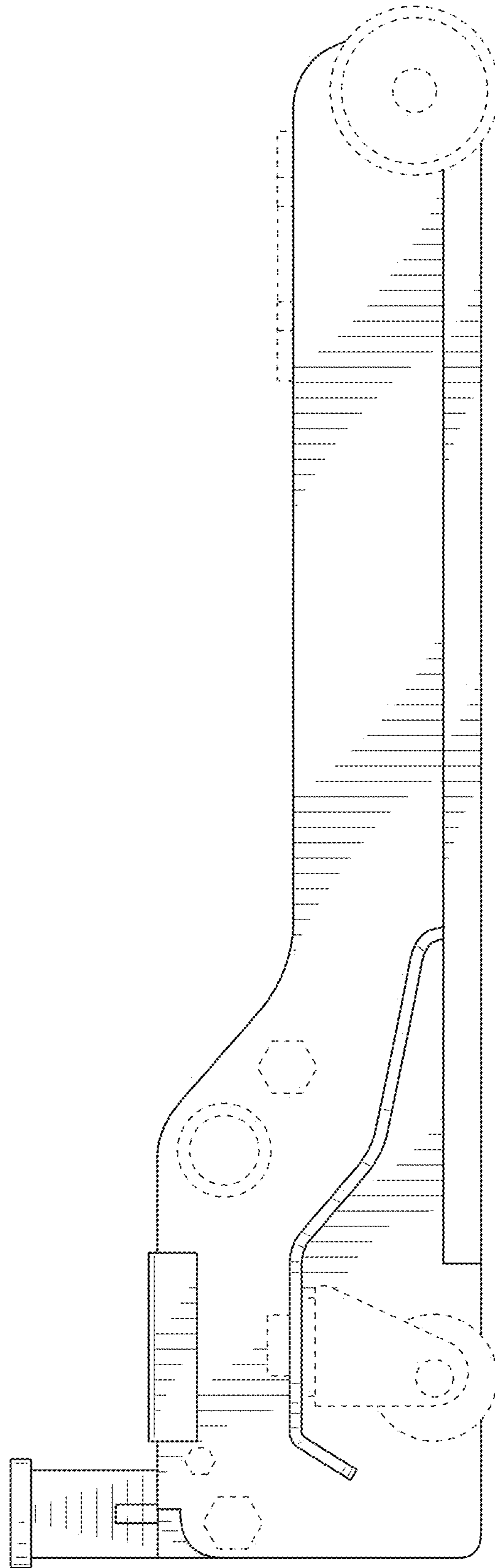


FIG. 5

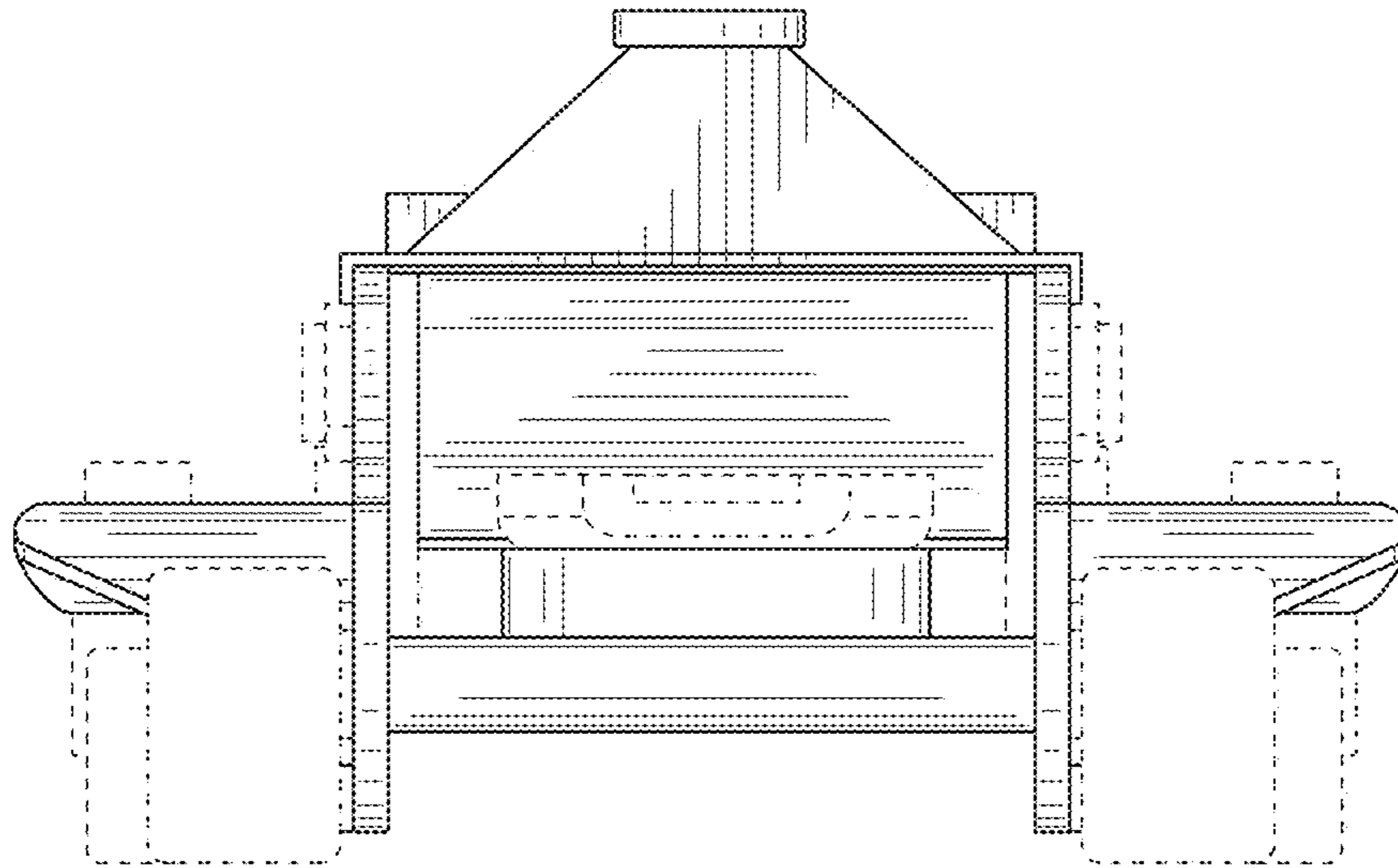


FIG. 6

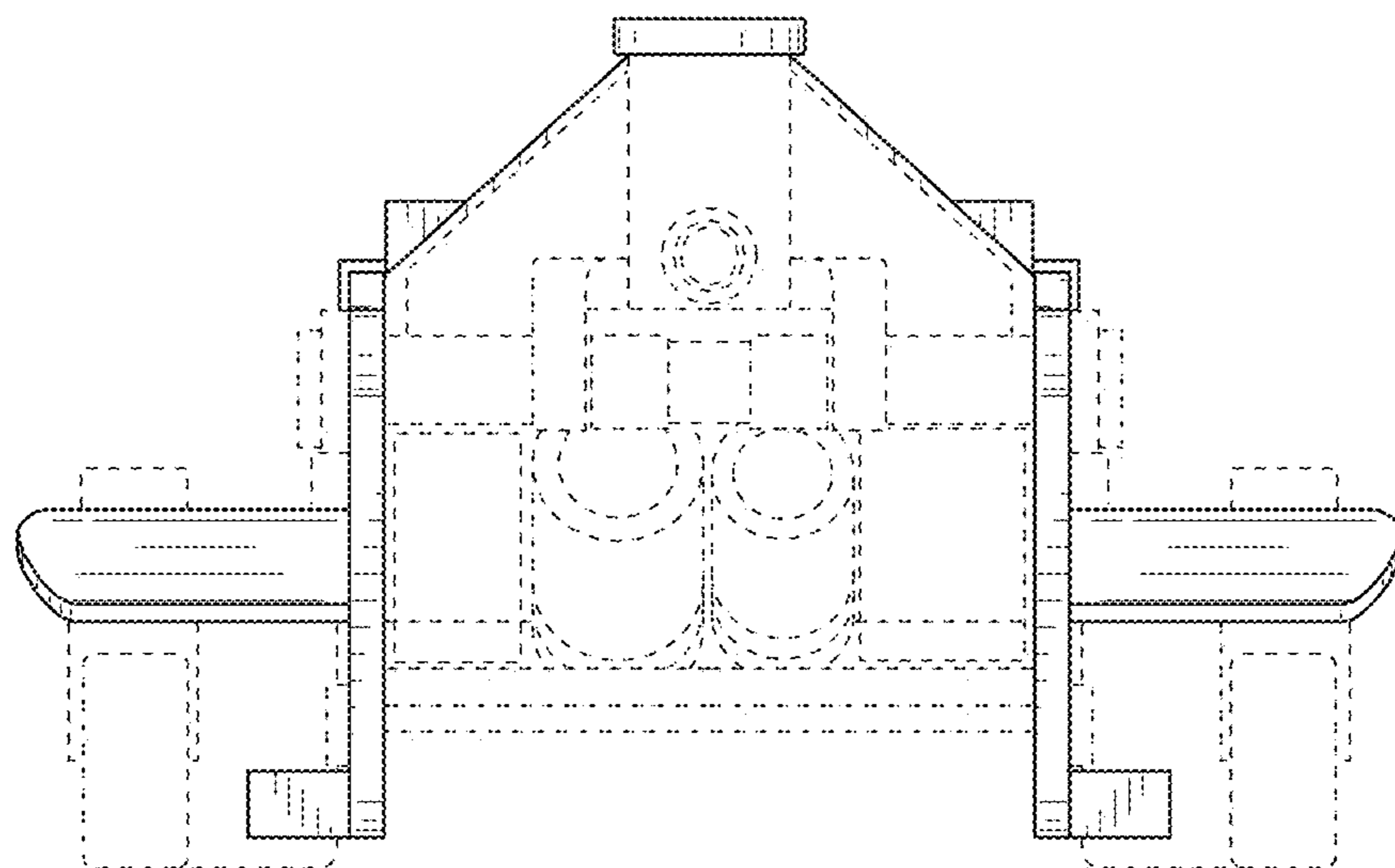


FIG. 7