



US00D907878S

(12) **United States Design Patent** (10) **Patent No.:** **US D907,878 S**
Wohlstadter et al. (45) **Date of Patent:** **** Jan. 12, 2021**

- (54) **CART**
- (71) Applicant: **Meso Scale Technologies, LLC.**,
Rockville, MD (US)
- (72) Inventors: **Jacob N. Wohlstadter**, Potomac, MD
(US); **Rodger Darin Osborne**, Stuart,
FL (US); **Jennifer Parker**, Frederick,
MD (US); **Aaron Leimkuehler**, Upper
St. Clair, PA (US); **Manish Kochar**,
Rockville, MD (US); **Peter Bosco**,
Rockville, MD (US); **Michael Wade**,
Ocean Pines, MD (US)
- (73) Assignee: **Meso Scale Technologies, LLC.**,
Rockville, MD (US)

- D487,604 S 3/2004 Van LANDINGHAM, Jr.
- 6,796,565 B2 9/2004 Choi et al.
- D578,269 S 10/2008 Van LANDINGHAM, Jr.
- D598,623 S 8/2009 Zang Wentz Pho
- D618,418 S 6/2010 Catron et al.
- D618,419 S 6/2010 Catron et al.
- D618,420 S 6/2010 Perelli et al.
- D812,836 S 3/2018 Wohlstadter et al.
- D831,292 S 10/2018 Thuma et al.

(Continued)

FOREIGN PATENT DOCUMENTS

- CN 302517429 S 7/2013
- CN 302864165 S 7/2014
- TW D154013 S 6/2013

OTHER PUBLICATIONS

Taiwanese IPO Search Report dated Nov. 15, 2017 received in Taiwanese Design Application No. 106304440, together with an English-language translation.

(Continued)

Primary Examiner — Gino Colan

(74) *Attorney, Agent, or Firm* — Scully, Scott, Murphy & Presser, P.C.

(**) Term: **15 Years**

(21) Appl. No.: **29/724,913**

(22) Filed: **Feb. 20, 2020**

Related U.S. Application Data

(62) Division of application No. 29/591,981, filed on Jan. 25, 2017, now Pat. No. Des. 880,096.

(51) **LOC (13) Cl.** **12-02**

(52) **U.S. Cl.**
USPC **D34/21**

(58) **Field of Classification Search**
USPC D34/12, 13, 16–22, 25–27; 280/651,
280/47.34, 47.35, 47.19, 47.17, 79.2;
211/188

CPC B62B 1/12; B62B 3/02; B62B 5/0438;
B62B 3/0606

See application file for complete search history.

(56) **References Cited**

U.S. PATENT DOCUMENTS

- D361,188 S 8/1995 Perelli
- D485,410 S 1/2004 Van LANDINGHAM, Jr.

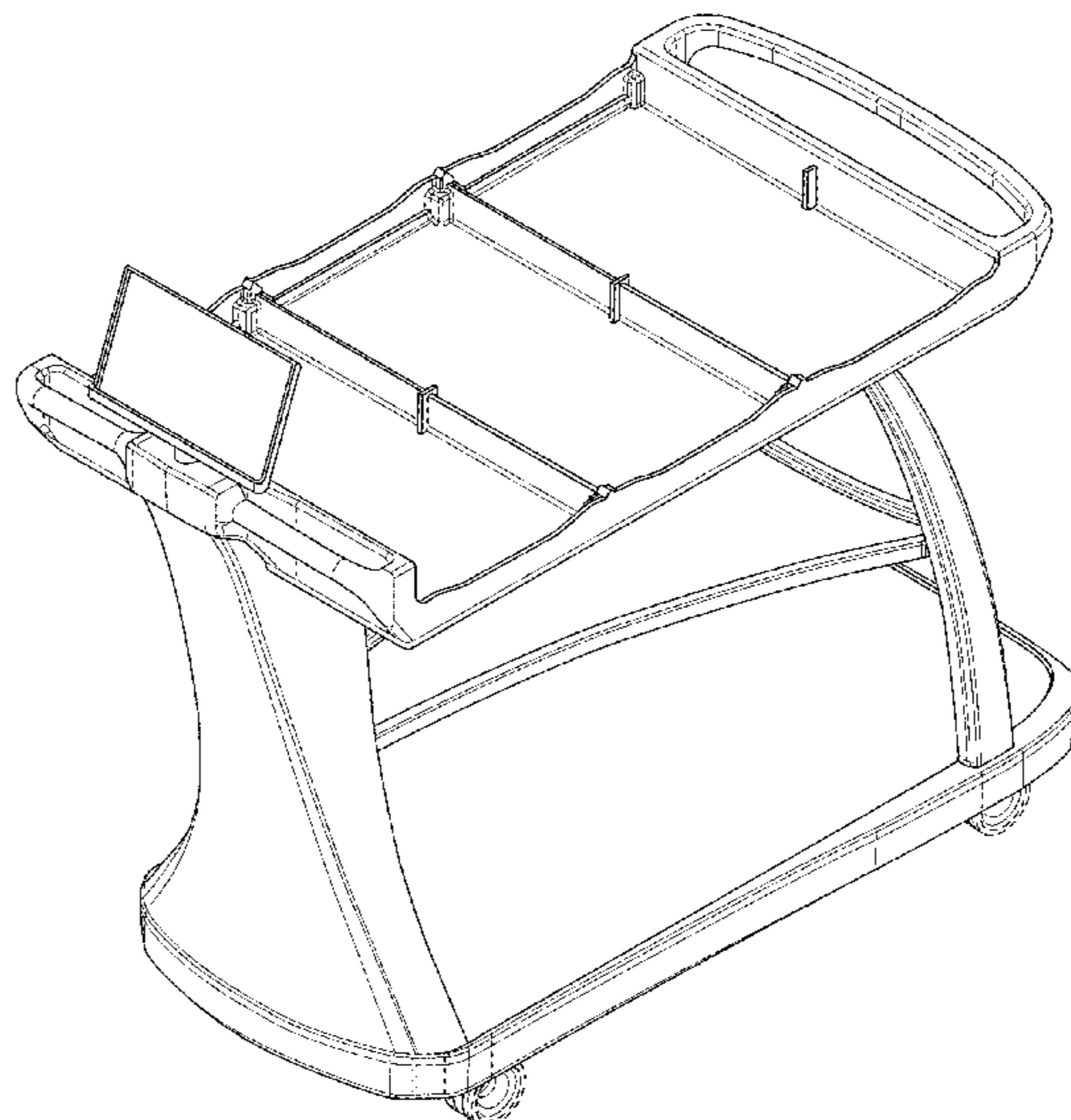
(57) **CLAIM**

The ornamental design for a cart, as shown and described.

DESCRIPTION

FIG. 1 is a perspective view of the cart showing a first embodiment of our new and ornamental design; FIG. 2 is a top view thereof; FIG. 3 is a perspective view of the cart showing a second embodiment of our new and ornamental design; and, FIG. 4 is a top view thereof. The portions of the cart shown in broken lines shown in the figures attached hereto form no part of the claimed design.

1 Claim, 4 Drawing Sheets



(56)

References Cited

U.S. PATENT DOCUMENTS

2004/0227315 A1 11/2004 Van Lanningham, Jr.

OTHER PUBLICATIONS

Taiwanese Allowance Decision of Examination dated Nov. 20, 2017 received in Taiwanese Design Application No. 106304440.

Taiwanese IPO Search Report dated Nov. 15, 2017 received in Taiwanese Design Application No. 106304441, together with an English-language translation.

Taiwanese Office Action dated Nov. 20, 2017 received in Taiwanese Design Application No. 106304441, together with an English-language translation.

Japanese Office Action dated Aug. 21, 2018 received in Japanese Design Application No. 2017-016806, together with an English-language translation.

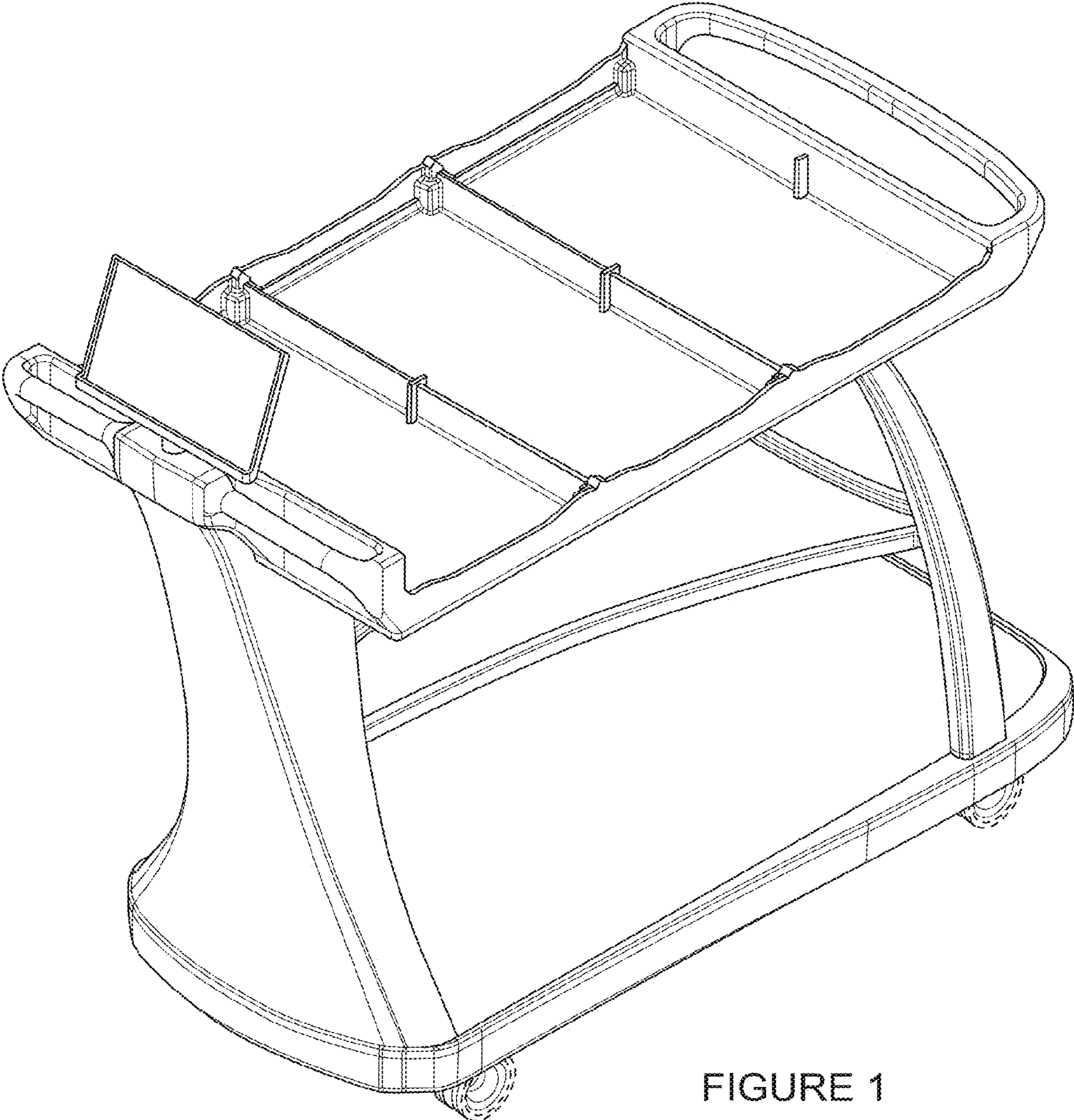


FIGURE 1

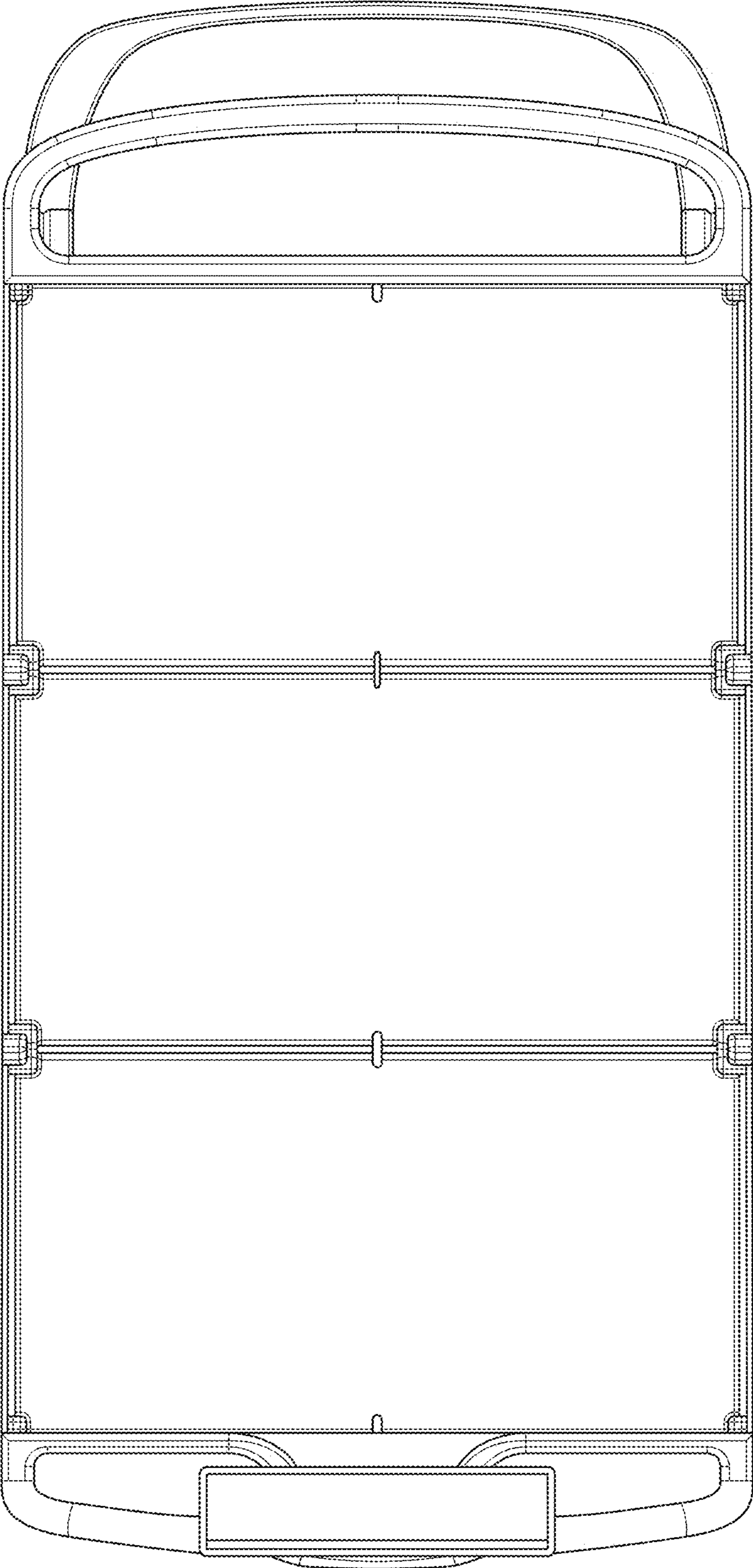


FIGURE 2

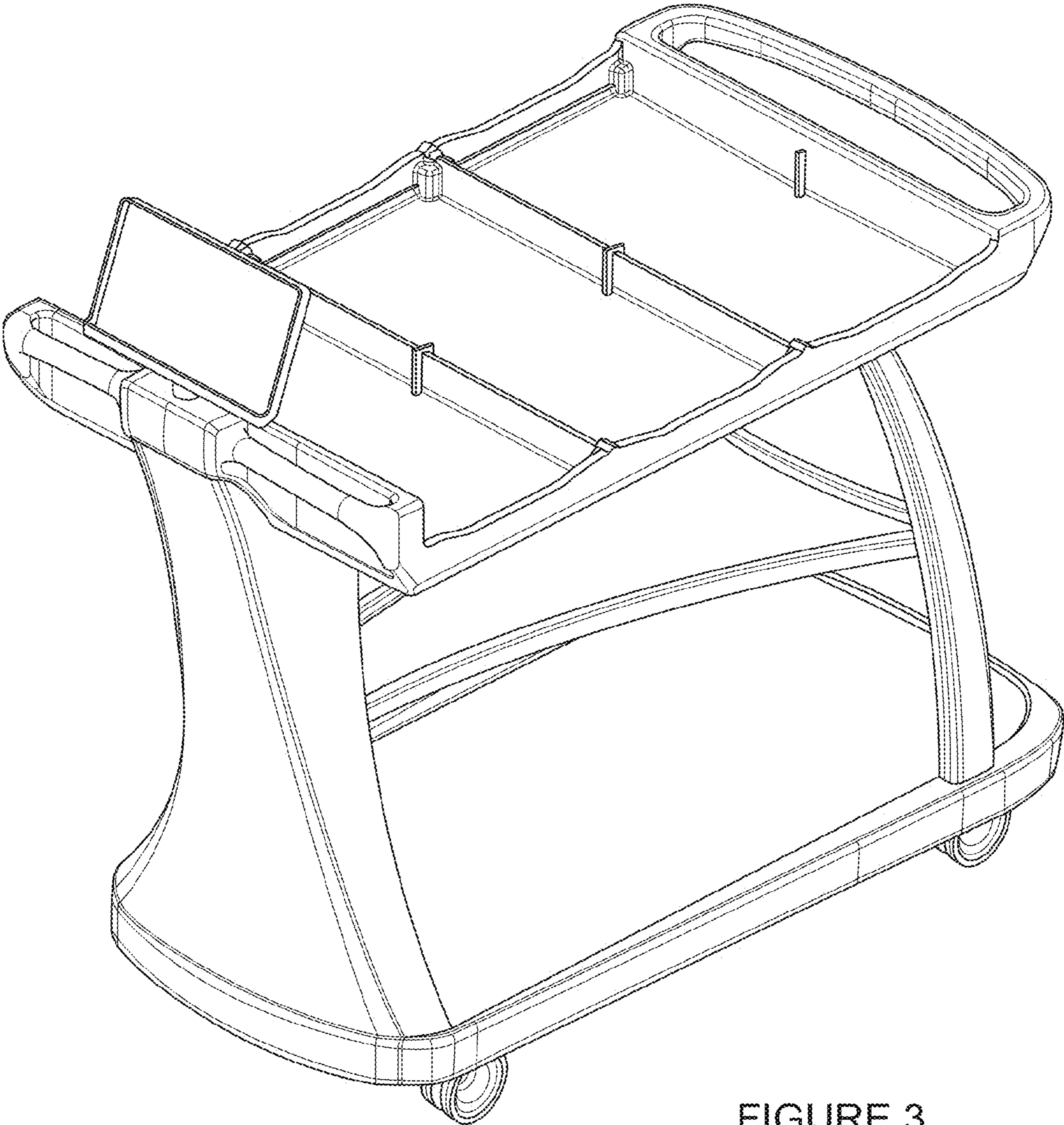


FIGURE 3

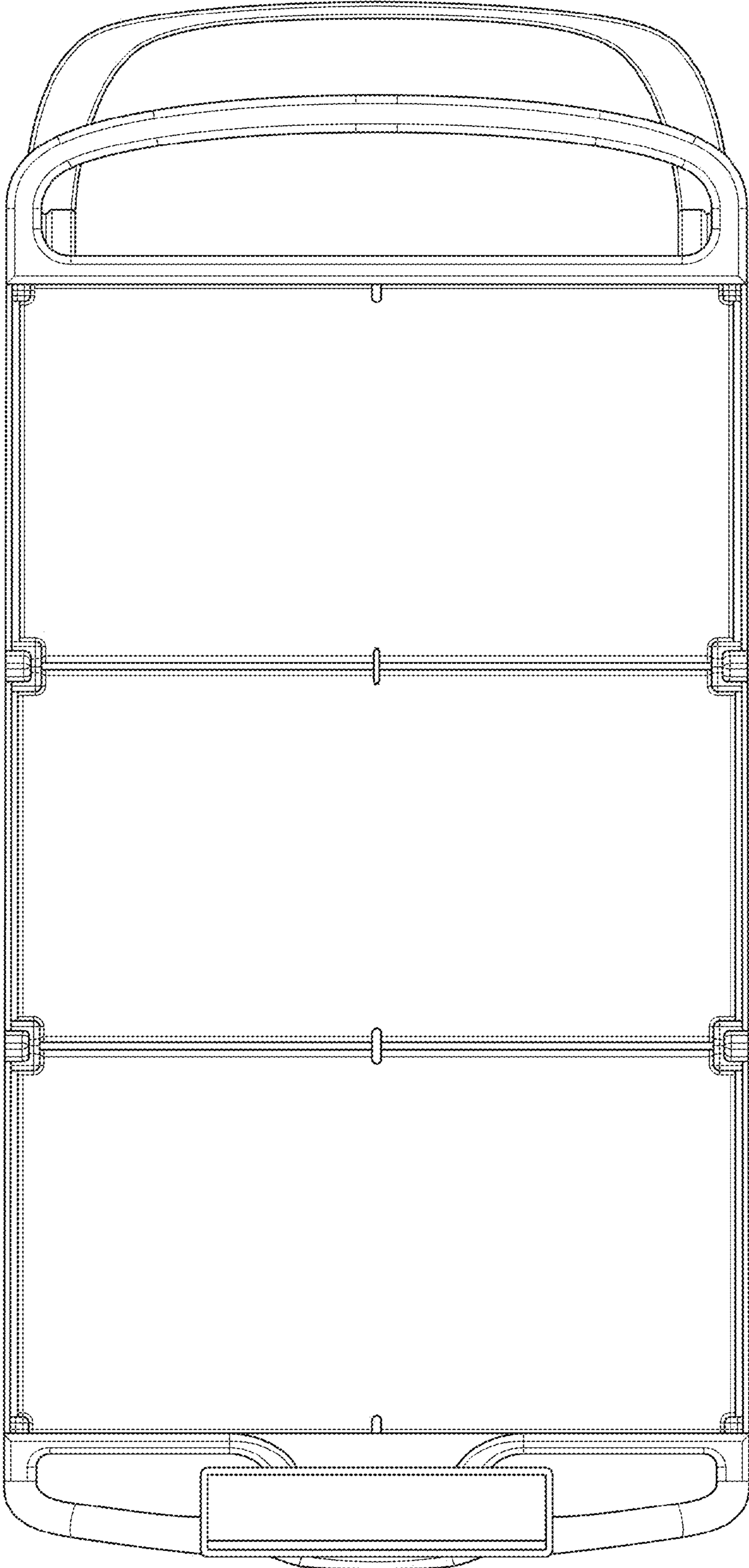


FIGURE 4