



US00D907874S

(12) **United States Design Patent**  
**Cardon et al.**

(10) **Patent No.:** **US D907,874 S**

(45) **Date of Patent:** **\*\* Jan. 12, 2021**

- (54) **DISPOSABLE BAG HOLDER**
- (71) Applicants: **Kerrie Cardon**, Whitefish, MT (US);  
**Stewart Cardon**, Whitefish, MT (US)
- (72) Inventors: **Kerrie Cardon**, Whitefish, MT (US);  
**Stewart Cardon**, Whitefish, MT (US)
- (\*\*) Term: **15 Years**
- (21) Appl. No.: **29/640,046**
- (22) Filed: **Mar. 12, 2018**
- (51) **LOC (13) Cl.** ..... **09-09**
- (52) **U.S. Cl.**  
USPC ..... **D34/6**
- (58) **Field of Classification Search**  
USPC ..... 224/247; 24/115 H, 115 R; 294/82.1,  
294/82.11, 82.17; D21/468; D8/33, 98,  
D8/349, 367, 382, 383, 394, 356;  
D9/434, 435; D7/708.1; D22/147;  
D34/5, 6; 248/309.1, 311.2, 315  
CPC ..... A61H 7/007; A61H 39/04; A61H  
2015/0028; A61H 23/00; B65B 69/0008;  
B65B 43/465; B65B 43/267; B65B  
67/1233; B31B 70/003  
See application file for complete search history.

- 4,702,445 A \* 10/1987 Ivory ..... B65B 67/12  
D34/6
- 4,708,307 A \* 11/1987 Daigle ..... B65B 67/12  
D34/6
- D294,994 S \* 3/1988 Burgett ..... D34/6
- 4,759,518 A \* 7/1988 Yargas ..... B65B 67/12  
D34/6
- D299,177 S \* 12/1988 Bryan ..... D34/6
- 4,889,300 A \* 12/1989 Gibson ..... B65B 67/12  
D34/5
- 4,899,967 A \* 2/1990 Johnson ..... B65B 67/12  
D34/6
- D307,851 S \* 5/1990 Polidoros ..... D34/6

(Continued)

*Primary Examiner* — Cynthia Ramirez  
*Assistant Examiner* — Michael A Maharajh  
(74) *Attorney, Agent, or Firm* — Dean Craine

(57) **CLAIM**

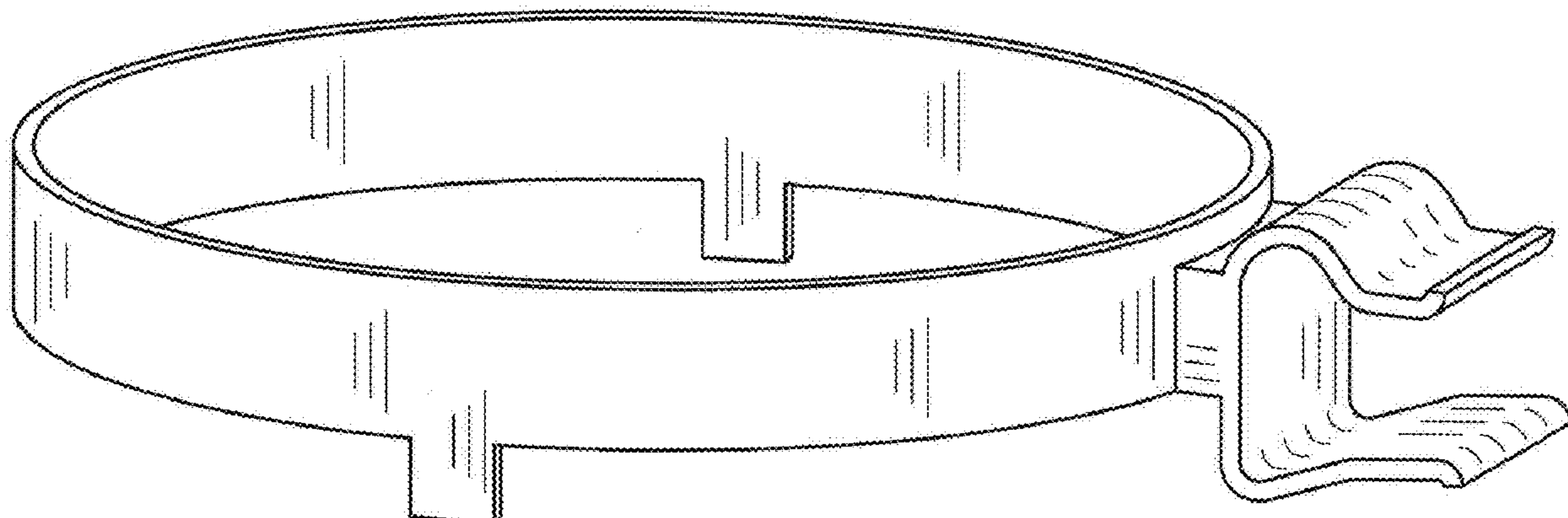
The ornamental design for a disposable bag holder, as shown and described.

**DESCRIPTION**

FIG. 1 is a front perspective view of a disposable bag holder showing our new design;  
FIG. 2 is a top plan view thereof;  
FIG. 3 is a left side elevational view thereof;  
FIG. 4 is a front elevational view thereof;  
FIG. 5 is a right side elevational view thereof;  
FIG. 6 is a rear elevational view thereof;  
FIG. 7 is a bottom plan view thereof;  
FIG. 8 is a front perspective view of another embodiment of a disposable bag holder;  
FIG. 9 is a top plan view thereof;  
FIG. 10 is a left side elevational view thereof;  
FIG. 11 is a front elevational view thereof;  
FIG. 12 is a right side elevational view thereof;  
FIG. 13 is a rear elevational view thereof; and,  
FIG. 14 is a bottom plan view thereof.

**1 Claim, 6 Drawing Sheets**

- (56) **References Cited**  
U.S. PATENT DOCUMENTS
- 1,678,375 A 7/1928 Berssenbrugge
- 1,962,575 A 6/1934 Silverman
- D170,695 S \* 10/1953 Kane ..... D34/6
- 2,707,141 A 4/1955 Witter
- D218,848 S \* 9/1970 Lewis ..... D34/6
- 3,550,824 A \* 12/1970 Bohanski ..... F21V 21/08  
224/247
- D223,682 S \* 5/1972 Aldape ..... D34/6
- D233,733 S \* 11/1974 Byerly ..... D8/366
- 4,358,083 A \* 11/1982 Haubrich ..... B65B 67/12  
248/100
- D275,807 S \* 10/1984 Peterson ..... D34/6



(56)

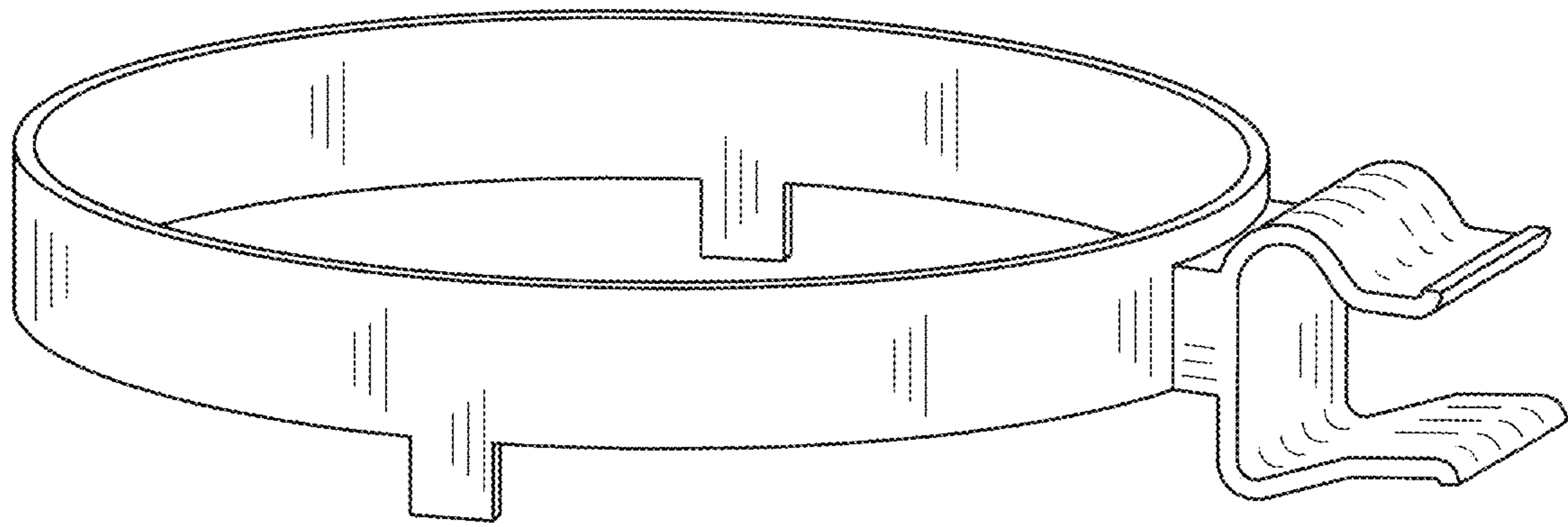
References Cited

U.S. PATENT DOCUMENTS

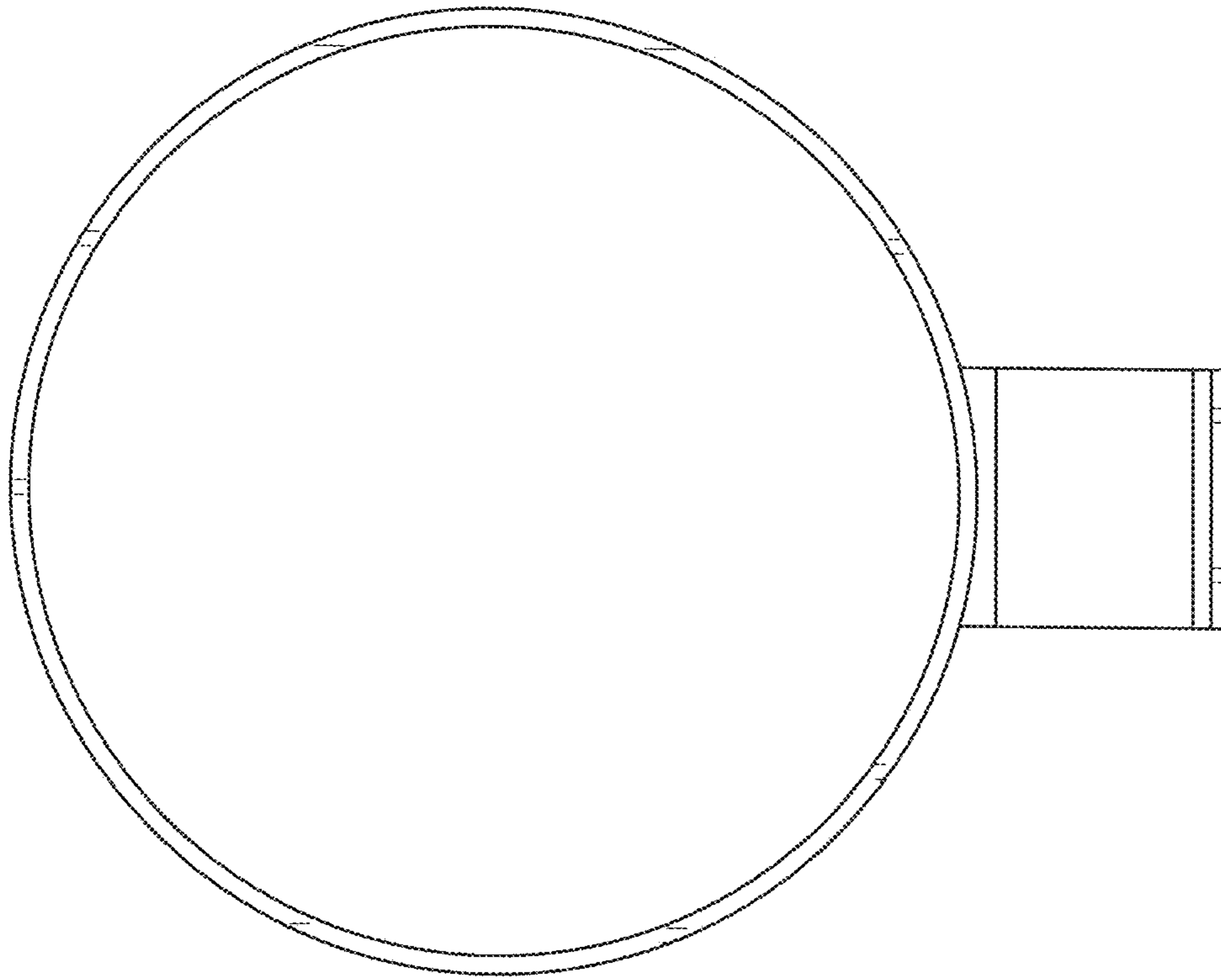
4,940,201 A \* 7/1990 Kurth ..... B65B 67/12  
D34/6  
4,946,118 A \* 8/1990 Hastings ..... B65B 67/1211  
D34/5  
4,997,156 A \* 3/1991 Allen ..... A47C 7/68  
D34/6  
4,997,157 A \* 3/1991 Sweeny ..... A62C 13/78  
D34/6  
D317,104 S \* 5/1991 Lyon ..... D34/5  
5,033,703 A \* 7/1991 Allen, Sr. .... B65B 67/1233  
D34/6  
D322,349 S \* 12/1991 Harris ..... D34/6  
5,074,506 A \* 12/1991 Larsen ..... B63B 17/00  
D34/6  
D324,441 S \* 3/1992 Werner ..... D34/5  
5,114,106 A \* 5/1992 Daugherty ..... A47G 7/044  
D34/6  
D334,112 S \* 3/1993 Carter ..... D7/552.1  
5,289,961 A \* 3/1994 Levitt ..... A45F 5/00  
224/247  
5,295,650 A 3/1994 Brandt  
D357,619 S \* 4/1995 Osmar ..... D8/34  
5,437,399 A \* 8/1995 Levitt ..... A45F 5/00  
224/247  
5,544,783 A \* 8/1996 Conigliaro ..... B65D 83/303  
D9/434

D441,652 S \* 5/2001 Valentine, Jr. .... D9/434  
6,253,399 B1 7/2001 Wagneer  
6,283,042 B1 9/2001 Wargo et al.  
6,484,989 B1 11/2002 Connery  
D468,067 S \* 12/2002 Stoltz ..... D32/25  
6,604,717 B2 \* 8/2003 Stanfield ..... B65B 67/1233  
248/101  
D484,660 S \* 12/2003 Robbins ..... D34/6  
D538,386 S \* 3/2007 Johnson ..... D22/147  
7,314,010 B2 1/2008 George et al.  
D567,650 S \* 4/2008 Leoncavallo ..... D9/434  
D568,023 S \* 4/2008 McConnell ..... B65F 1/1415  
D34/6  
D654,646 S \* 2/2012 Williams ..... D34/6  
8,245,650 B1 8/2012 McKsymick  
8,613,256 B2 12/2013 Cardon  
D704,407 S \* 5/2014 Weldon ..... D34/5  
D720,110 S \* 12/2014 Baisden ..... D34/5  
D728,184 S \* 4/2015 Hoggatt ..... D34/6  
9,301,602 B2 4/2016 Cardon  
D766,534 S \* 9/2016 Stravitz ..... D34/6  
D782,931 S \* 4/2017 Takakuwa ..... D8/394  
D812,440 S \* 3/2018 Selvaggio ..... D7/708.1  
D815,384 S \* 4/2018 Stravitz ..... D34/6  
D816,010 S \* 4/2018 Rike ..... D8/396  
D836,184 S \* 12/2018 Lippka ..... D8/394  
D848,583 S \* 5/2019 Nagai ..... D8/394

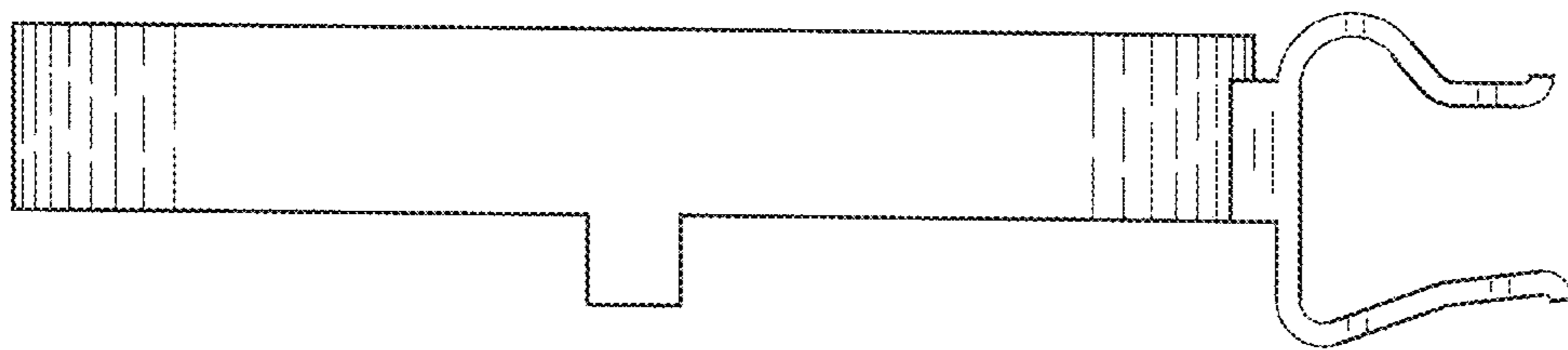
\* cited by examiner



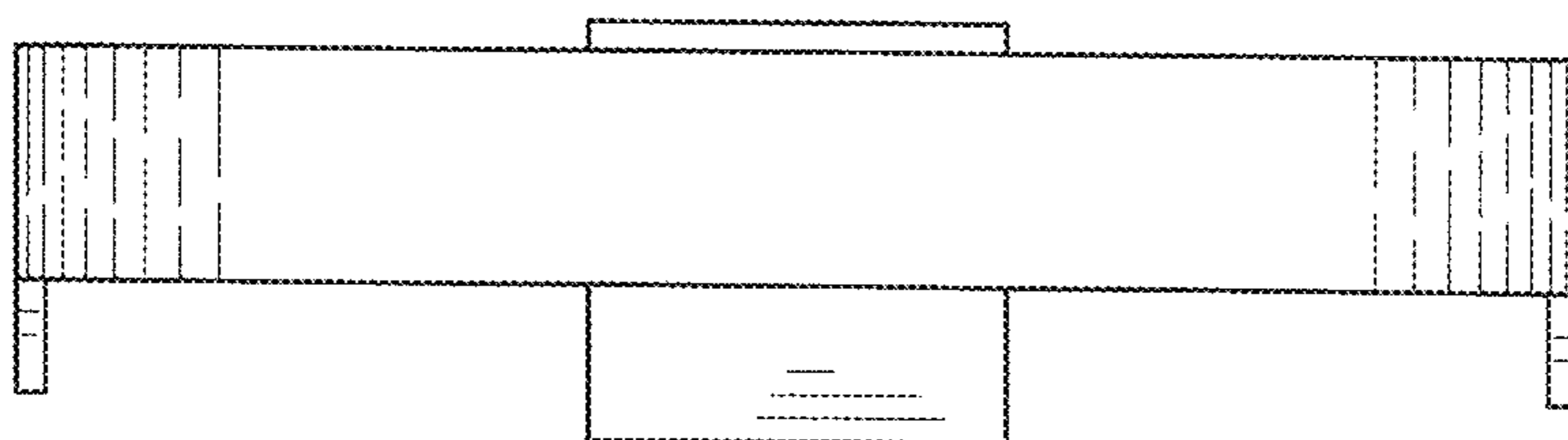
**FIG. 1**



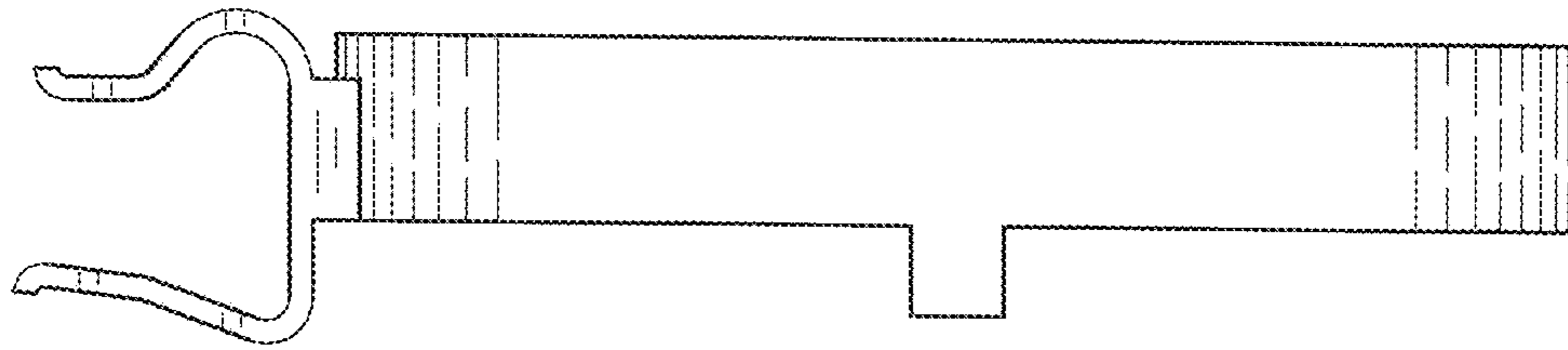
**FIG. 2**



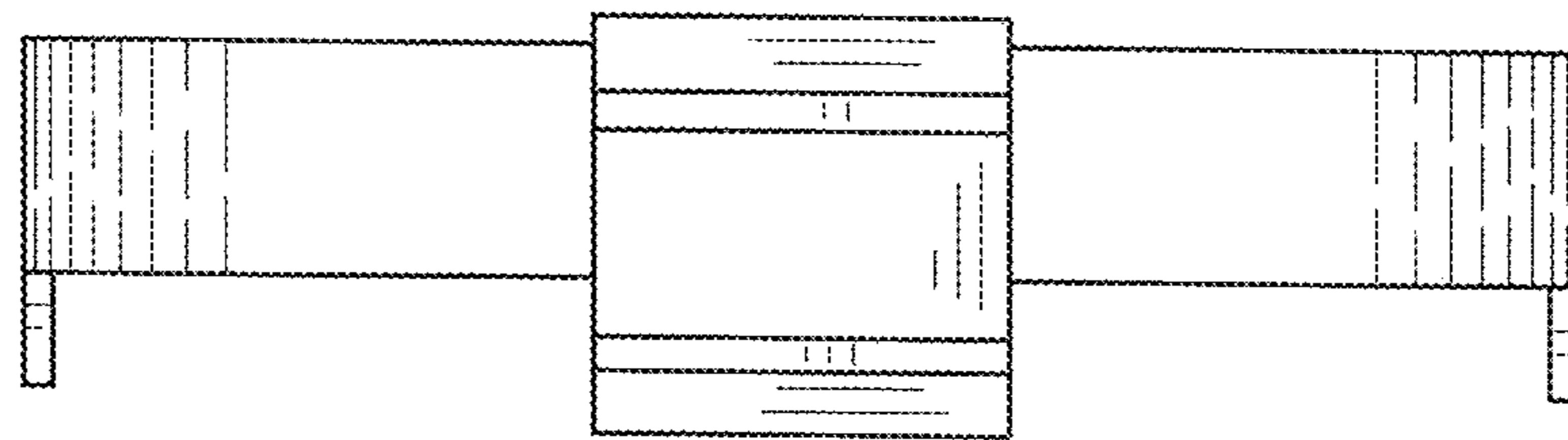
**FIG. 3**



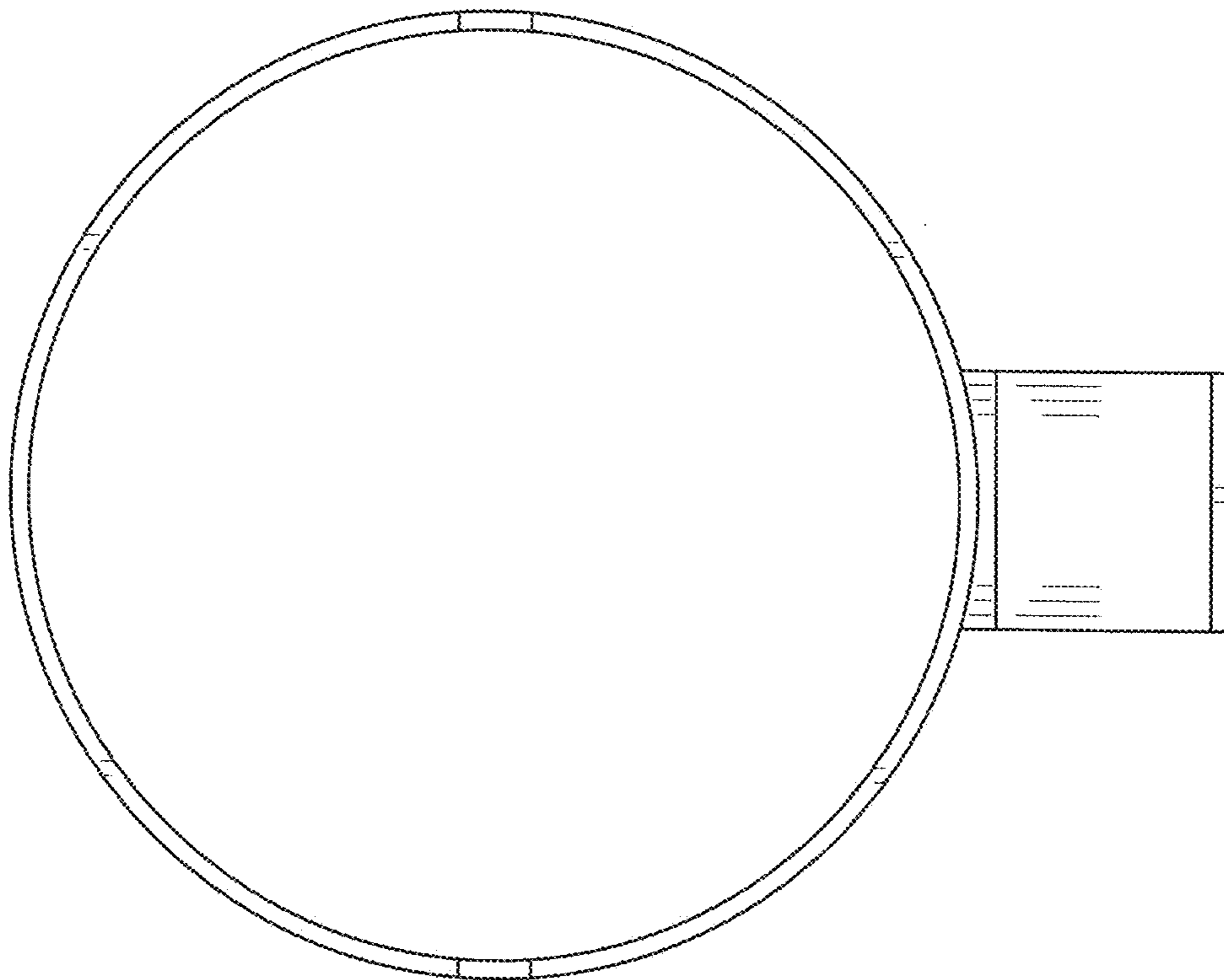
**FIG. 4**



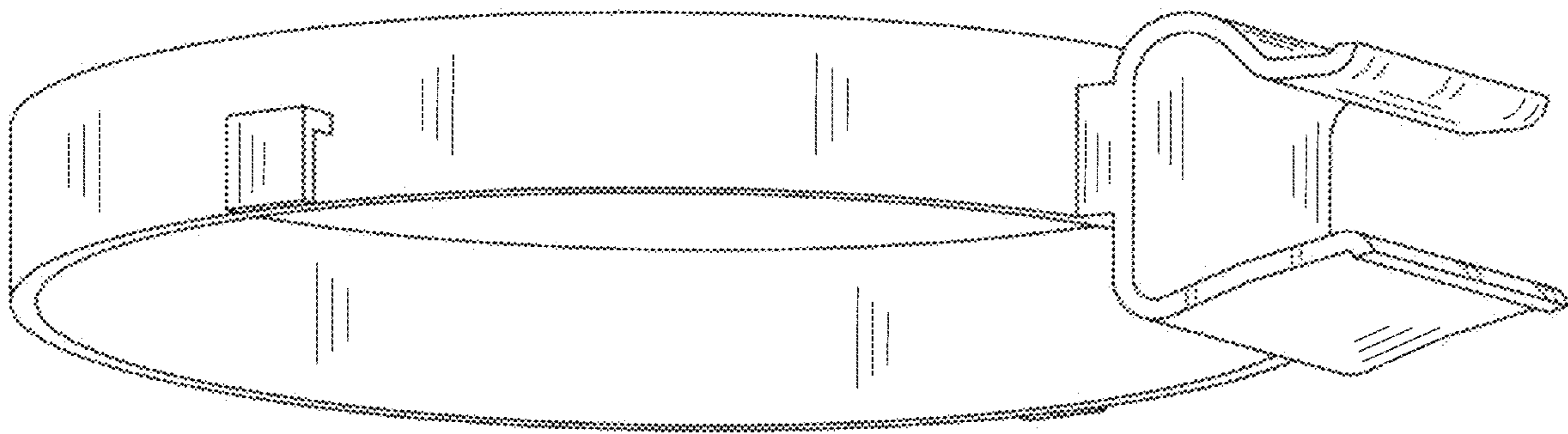
**FIG. 5**



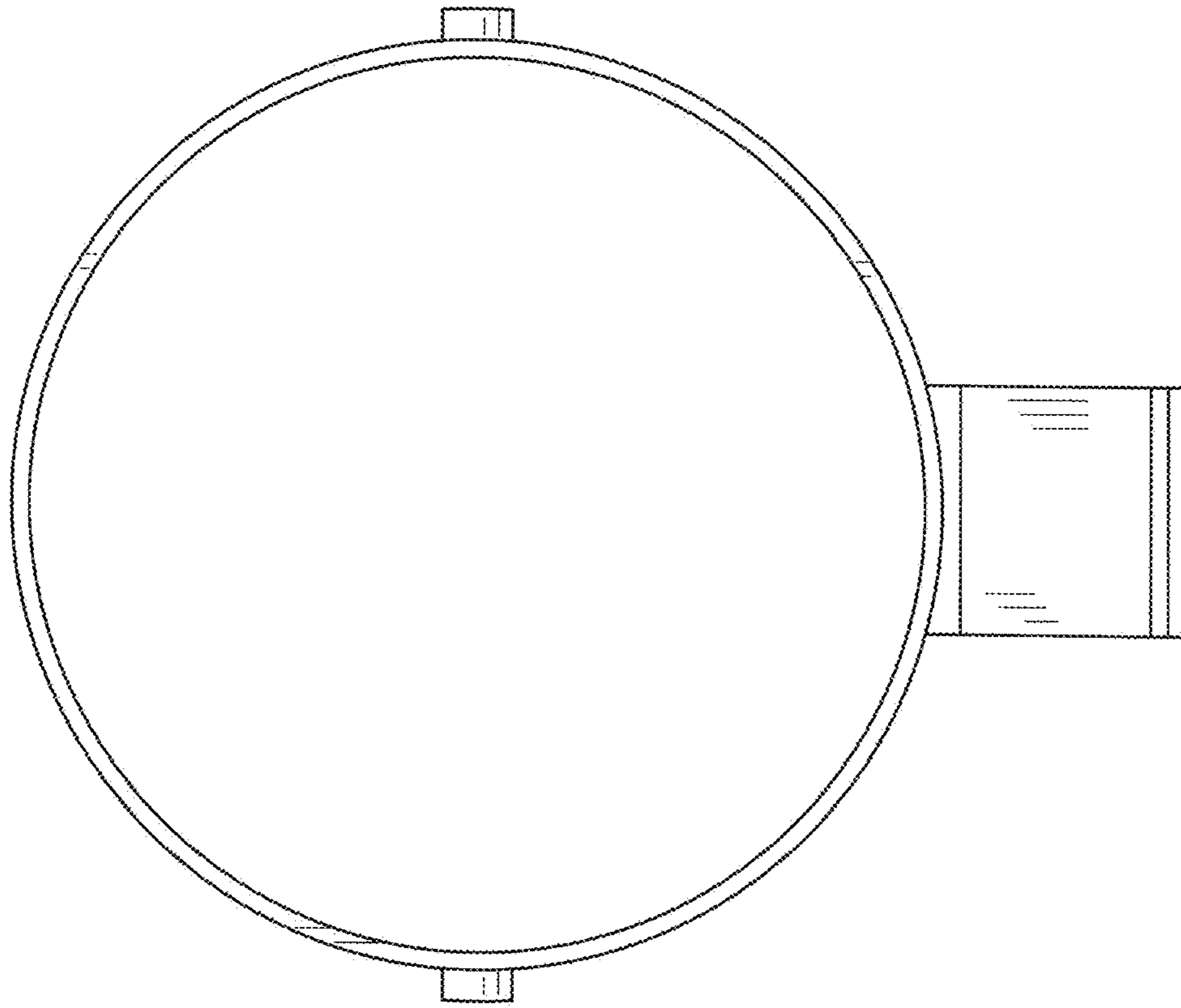
**FIG. 6**



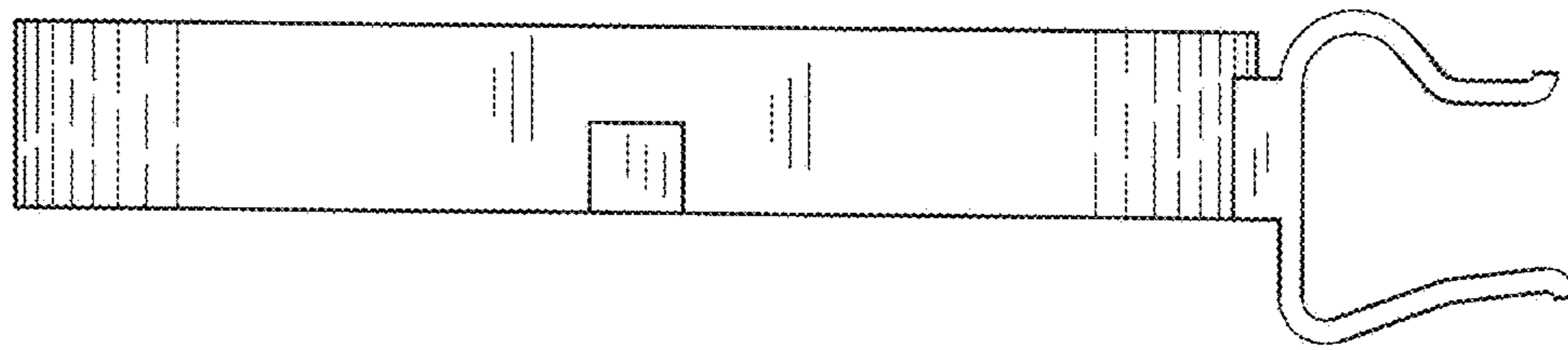
**FIG. 7**



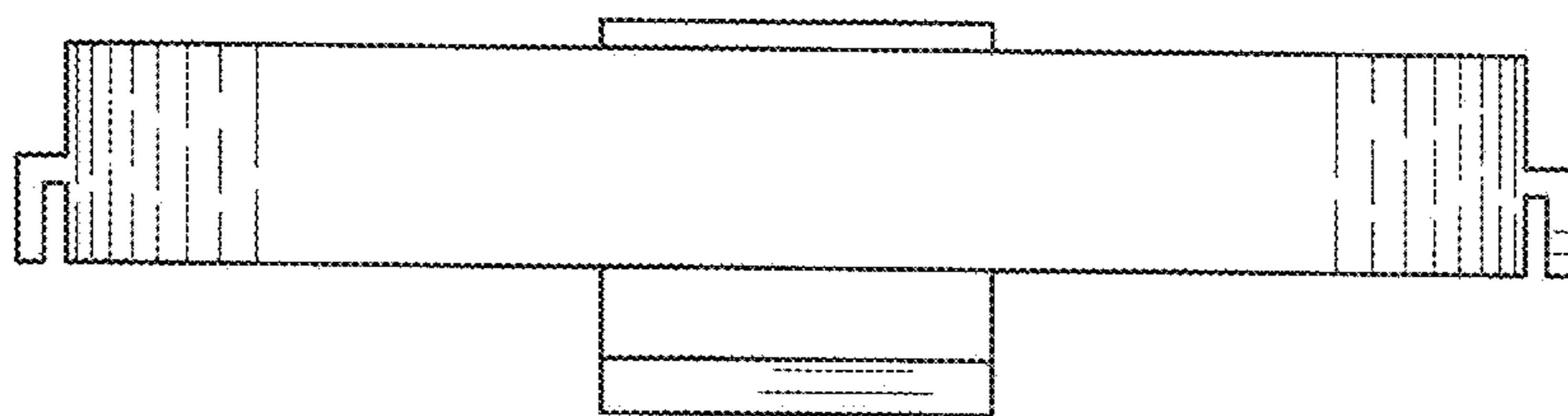
**FIG. 8**



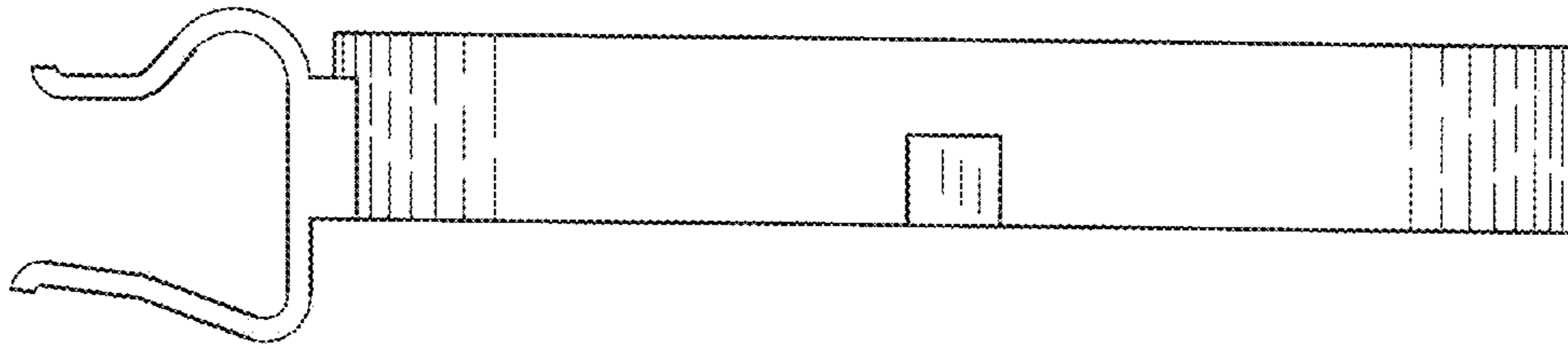
**FIG. 9**



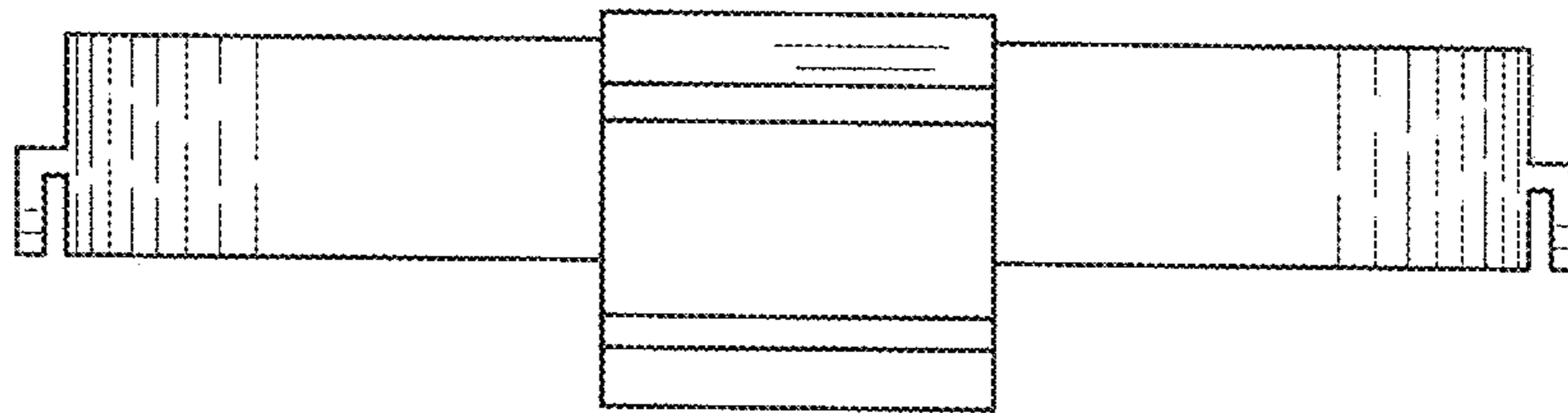
**FIG. 10**



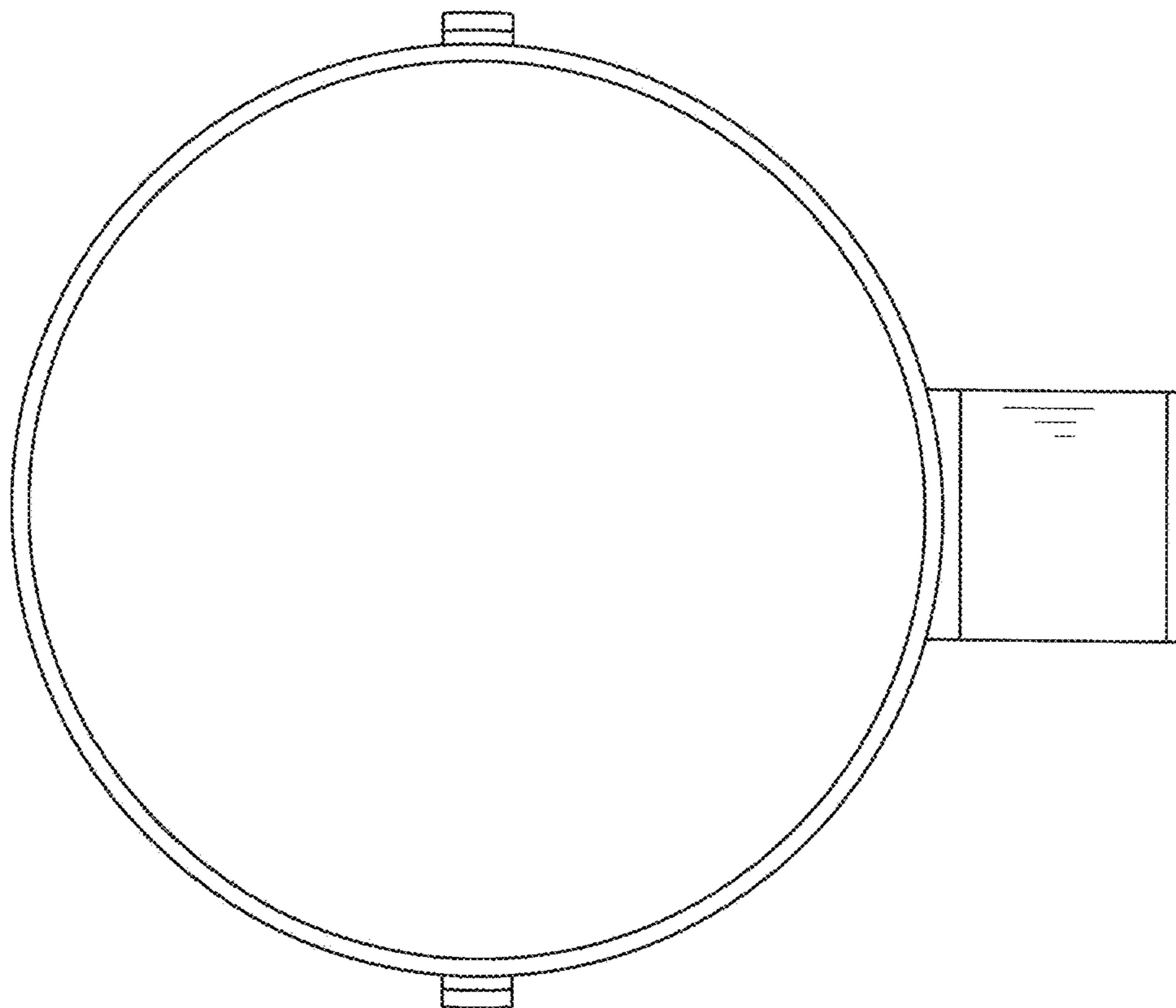
**FIG. 11**



**FIG. 12**



**FIG. 13**



**FIG. 14**