

US00D907872S

(12) **United States Design Patent**
Messineo

(10) **Patent No.:** **US D907,872 S**
(45) **Date of Patent:** **** Jan. 12, 2021**

(54) **TUB WITH INCORPORATED WRINGER**

(71) Applicant: **Carl Freudenberg KG**, Weinheim (DE)

(72) Inventor: **Carlo Messineo**, Mannheim (DE)

(73) Assignee: **CARL FREUDENBERG KG**, Weinheim (DE)

(**) Term: **15 Years**

(21) Appl. No.: **29/658,181**

(22) Filed: **Jul. 30, 2018**

(30) **Foreign Application Priority Data**

Jan. 30, 2018 (EM) 004686087

(51) **LOC (13) Cl.** **07-05**

(52) **U.S. Cl.**
USPC **D32/53**

(58) **Field of Classification Search**
USPC D32/53, 53.1, 54; D3/304, 307, 315
CPC B44D 3/123; B44D 3/128; B44D 3/12;
A47L 13/142; A47L 13/58; B65D 25/14
See application file for complete search history.

(56) **References Cited**

U.S. PATENT DOCUMENTS

D632,446 S *	2/2011	Tseng	D32/53
7,909,174 B1 *	3/2011	Yu	A47L 13/58
				15/263
D645,628 S *	9/2011	Tseng	D32/53
8,156,607 B2 *	4/2012	Chiang	A47L 13/58
				15/119.1
8,239,997 B2 *	8/2012	Lin	A47L 13/58
				15/260

D707,003 S *	6/2014	Dingert	D32/53
D723,234 S *	2/2015	Lentine	D32/53
D723,758 S *	3/2015	Lentine	D32/53
D728,882 S *	5/2015	Tsai	A47L 13/59
				D32/53
D741,561 S *	10/2015	Zeng	A47L 13/58
				D32/53
D765,333 S *	8/2016	Lentine	D32/53
D789,638 S *	6/2017	Rueckheim	A47L 13/58
				D32/53
D804,125 S *	11/2017	Rueckheim	D32/53
10,335,007 B2 *	7/2019	Rueckheim	A47J 47/18

* cited by examiner

Primary Examiner — Sheryl Lane
Assistant Examiner — Calvin E Vansant
(74) *Attorney, Agent, or Firm* — Leydig, Voit & Mayer, Ltd.

(57) **CLAIM**

The ornamental design for a tub with incorporated wringer, as shown and described.

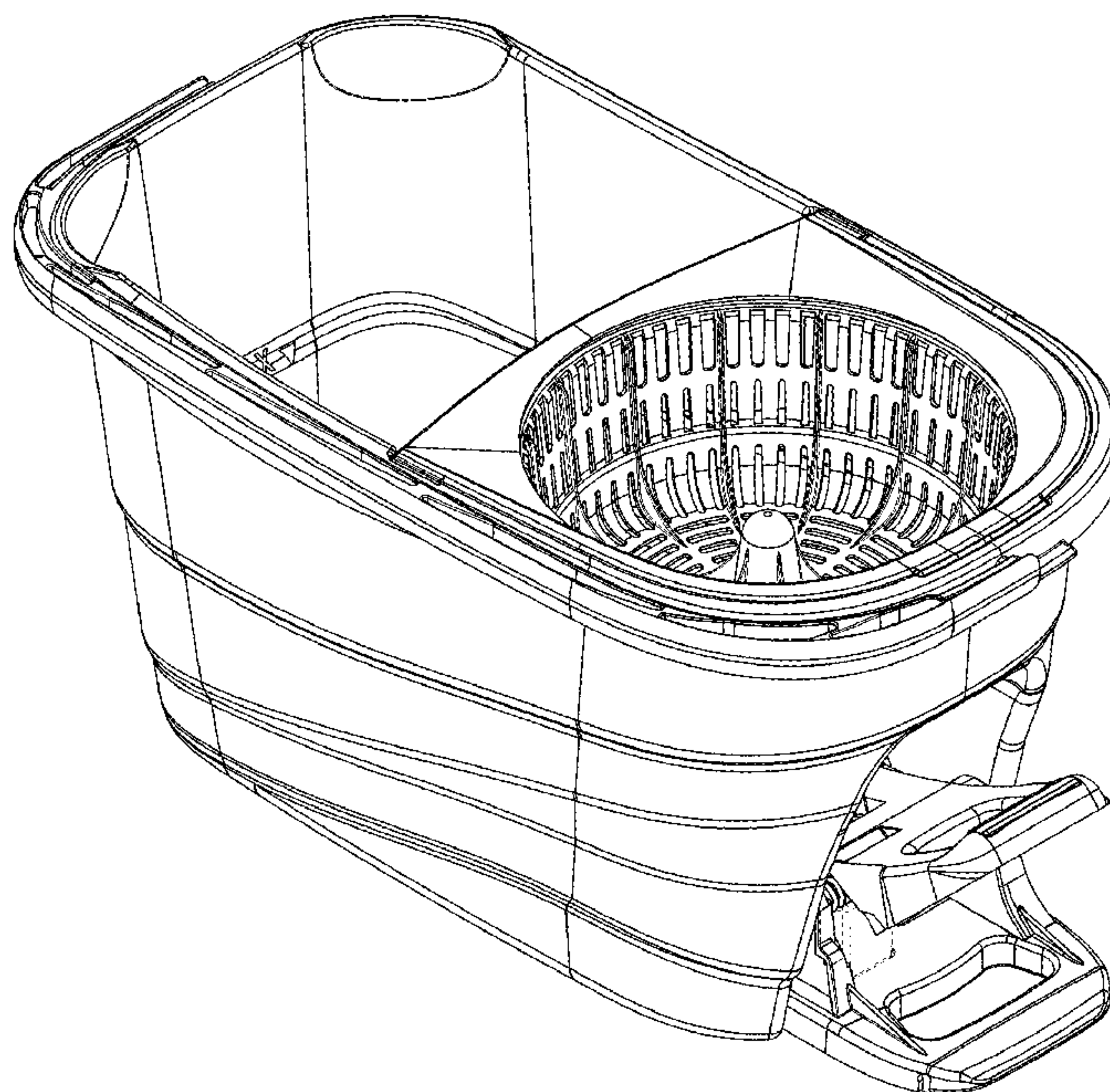
DESCRIPTION

FIG. 1 is a left-rear perspective view of showing a second embodiment my new design;
FIG. 2 is a left-front perspective view thereof;
FIG. 3 is a top view thereof;
FIG. 4 is a rear view thereof;
FIG. 5 is a front view thereof;
FIG. 6 is a right-side view thereof; and,
FIG. 7 is a left-side view thereof.

The broken lines in the drawings indicate portions of the tub with incorporated wringer which form no part of the claimed design.

The bottom view of the tub with incorporated wringer of my present design is disclaimed.

1 Claim, 7 Drawing Sheets



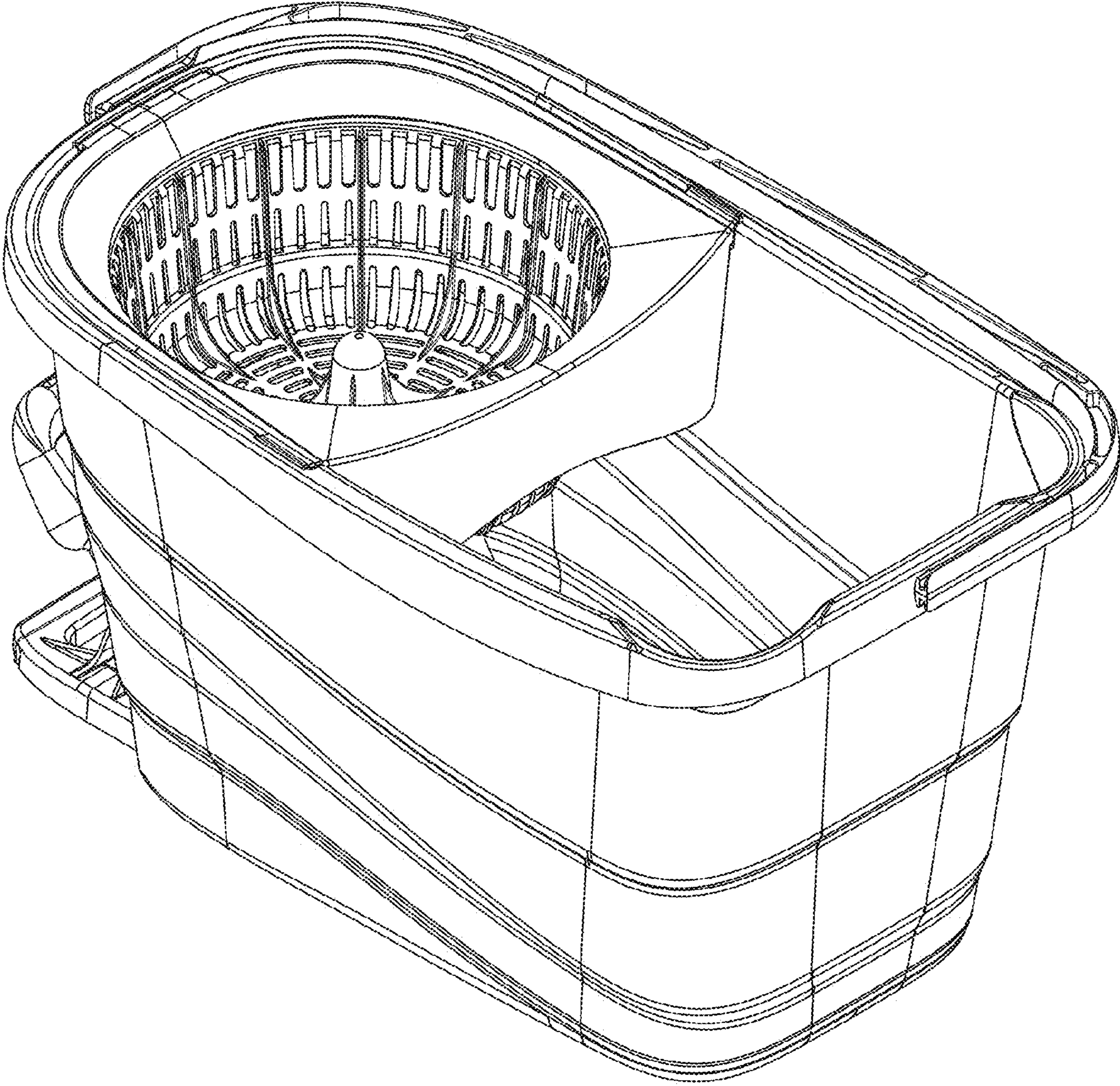


FIG. 1

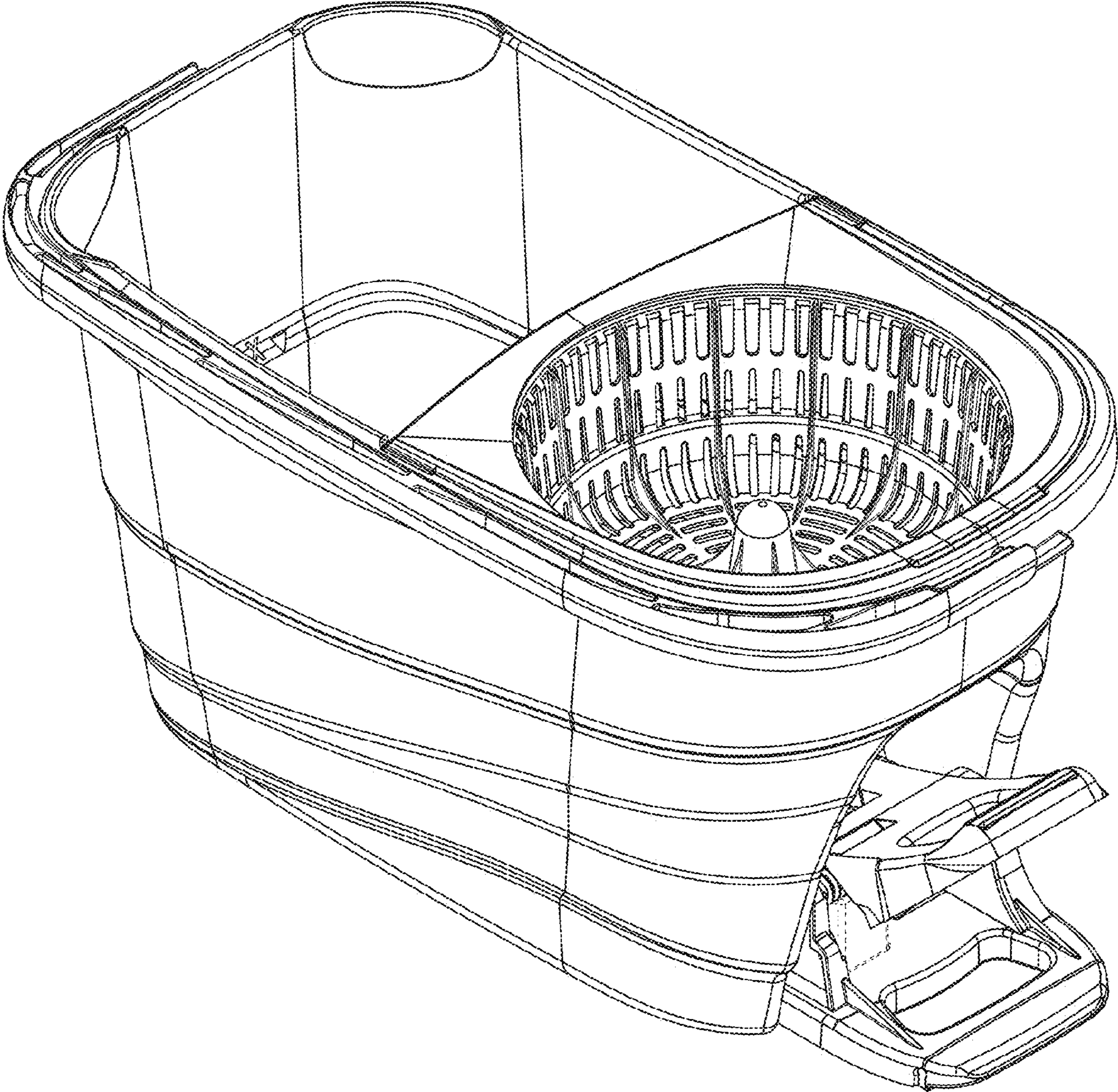


FIG. 2

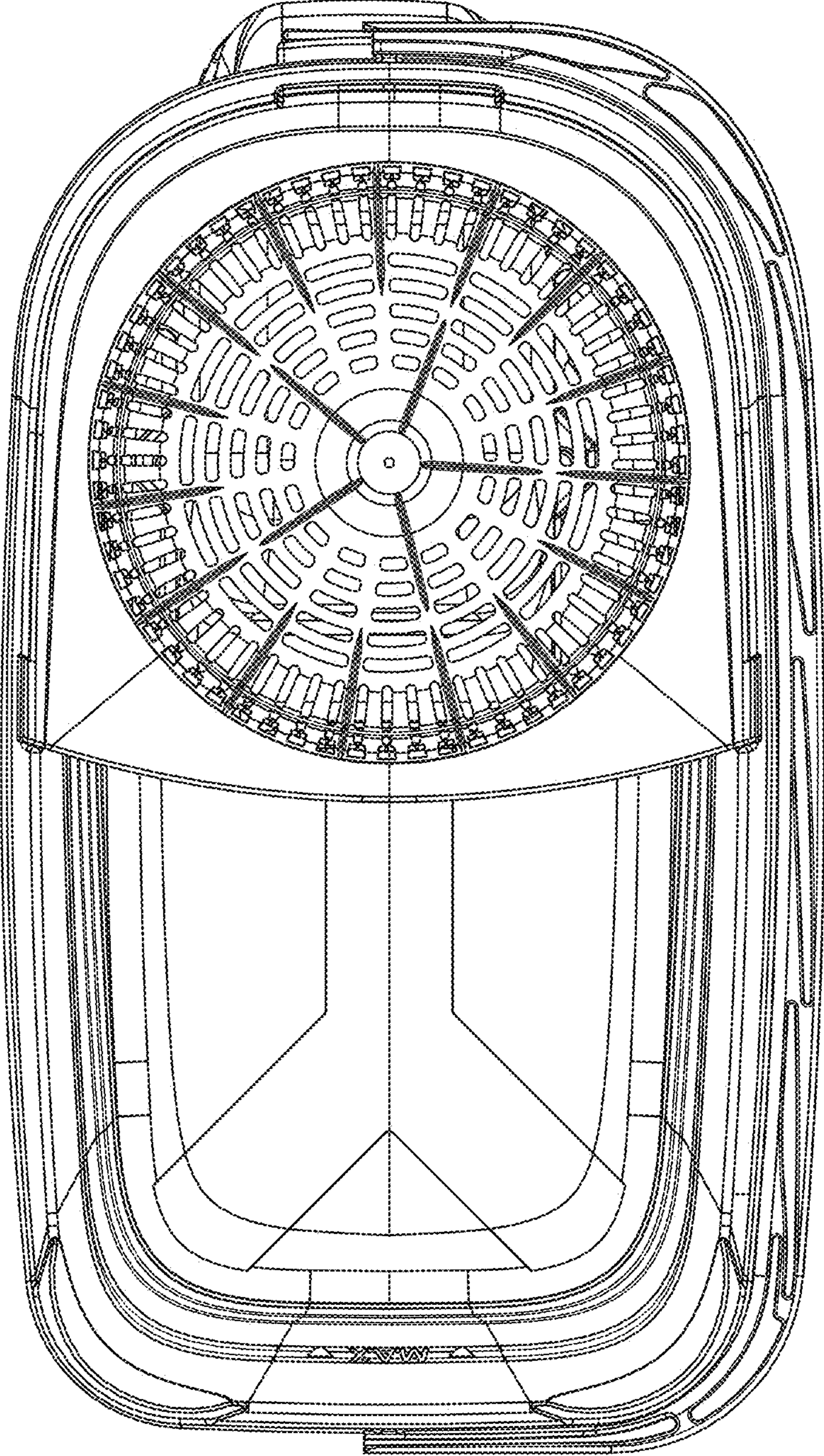


FIG. 3

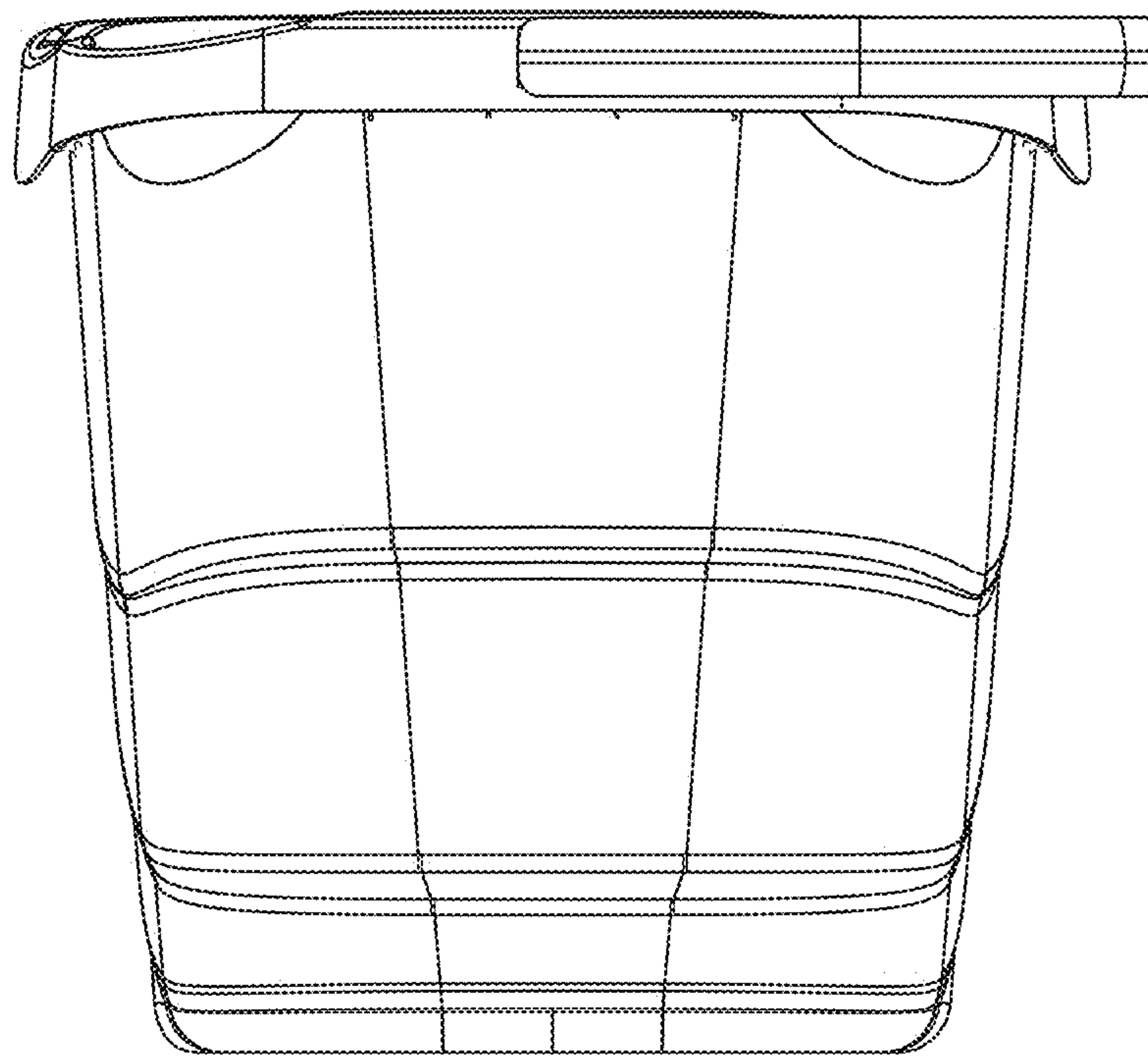


FIG. 4

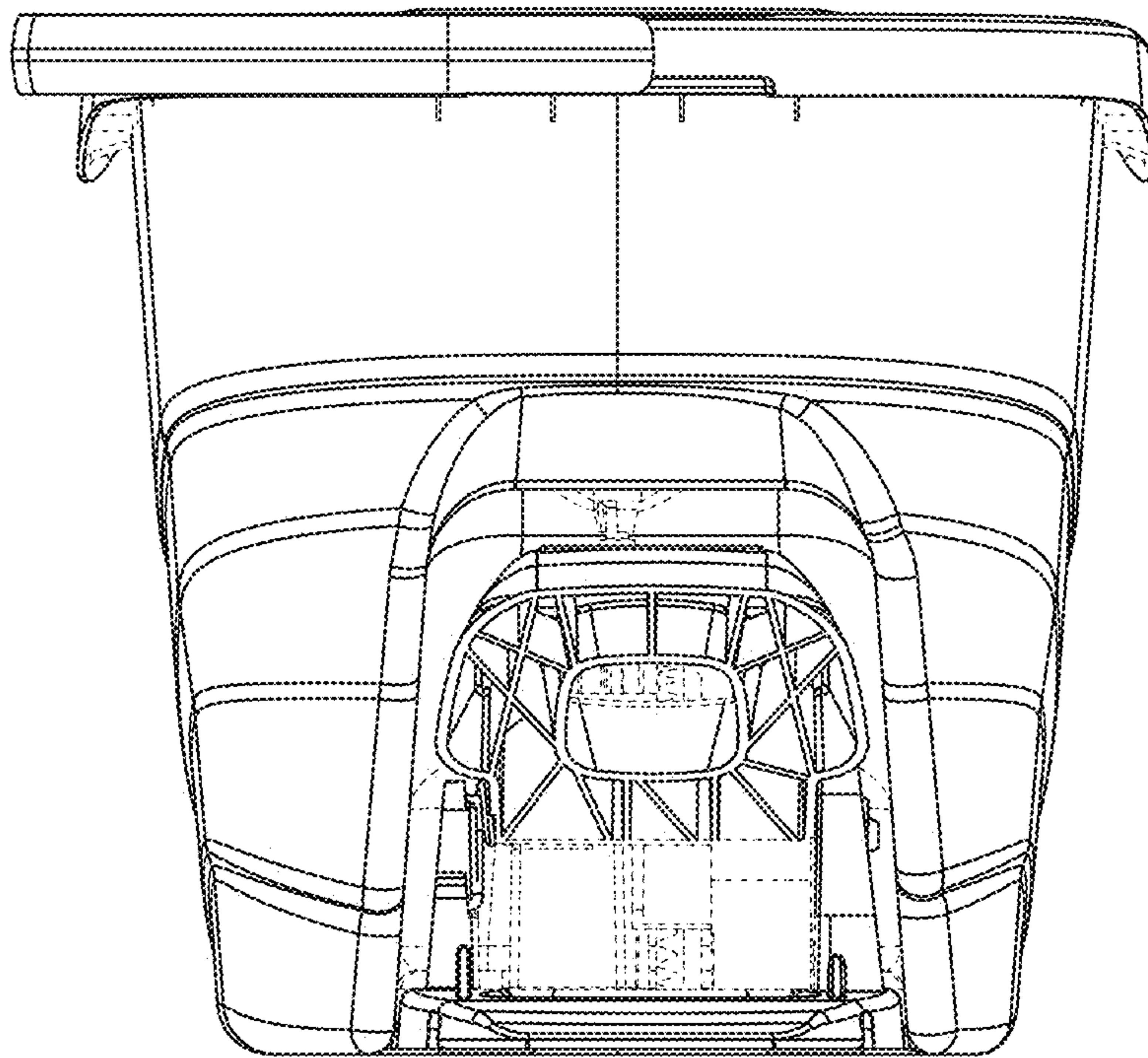


FIG. 5

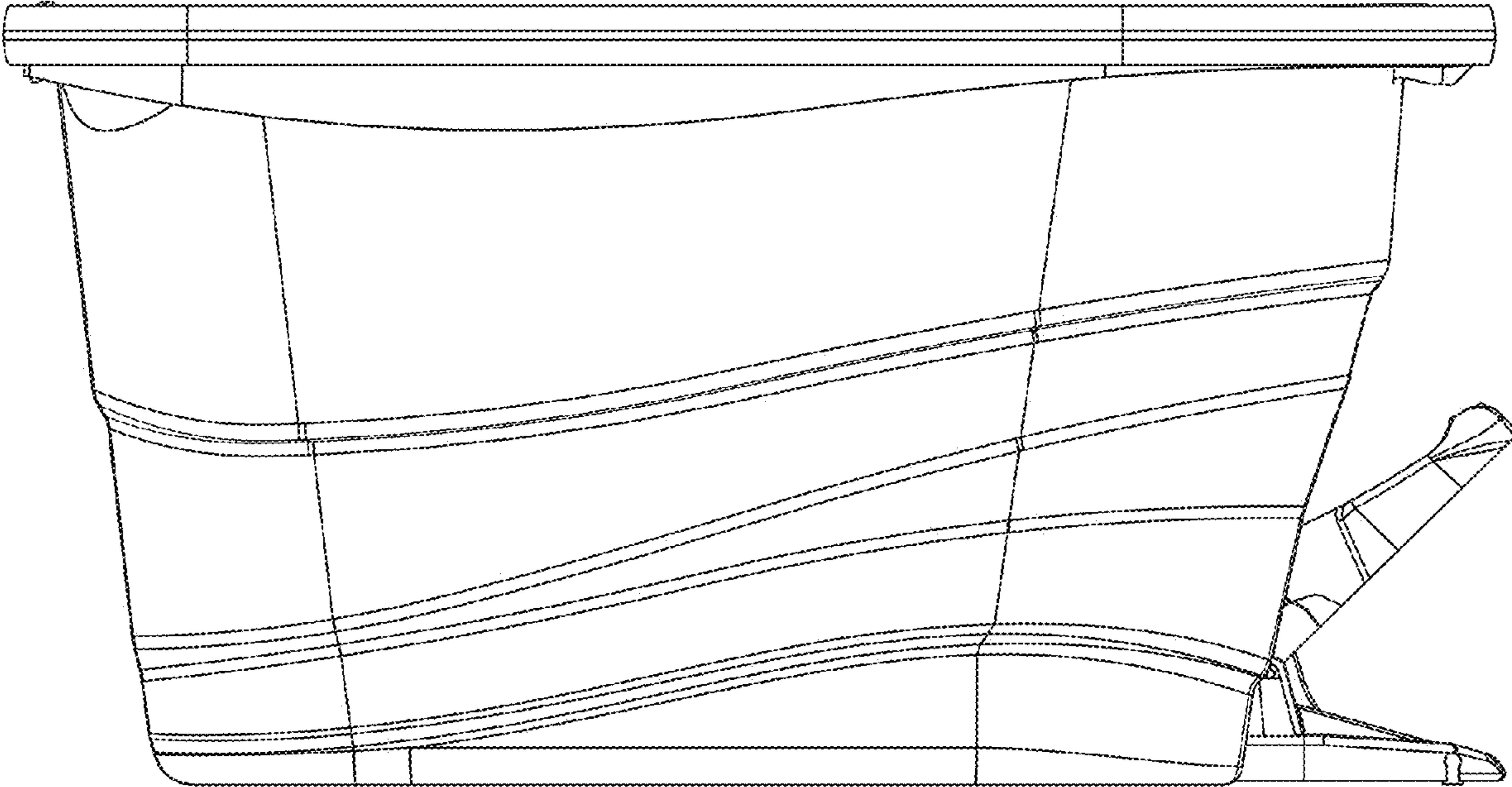


FIG. 6

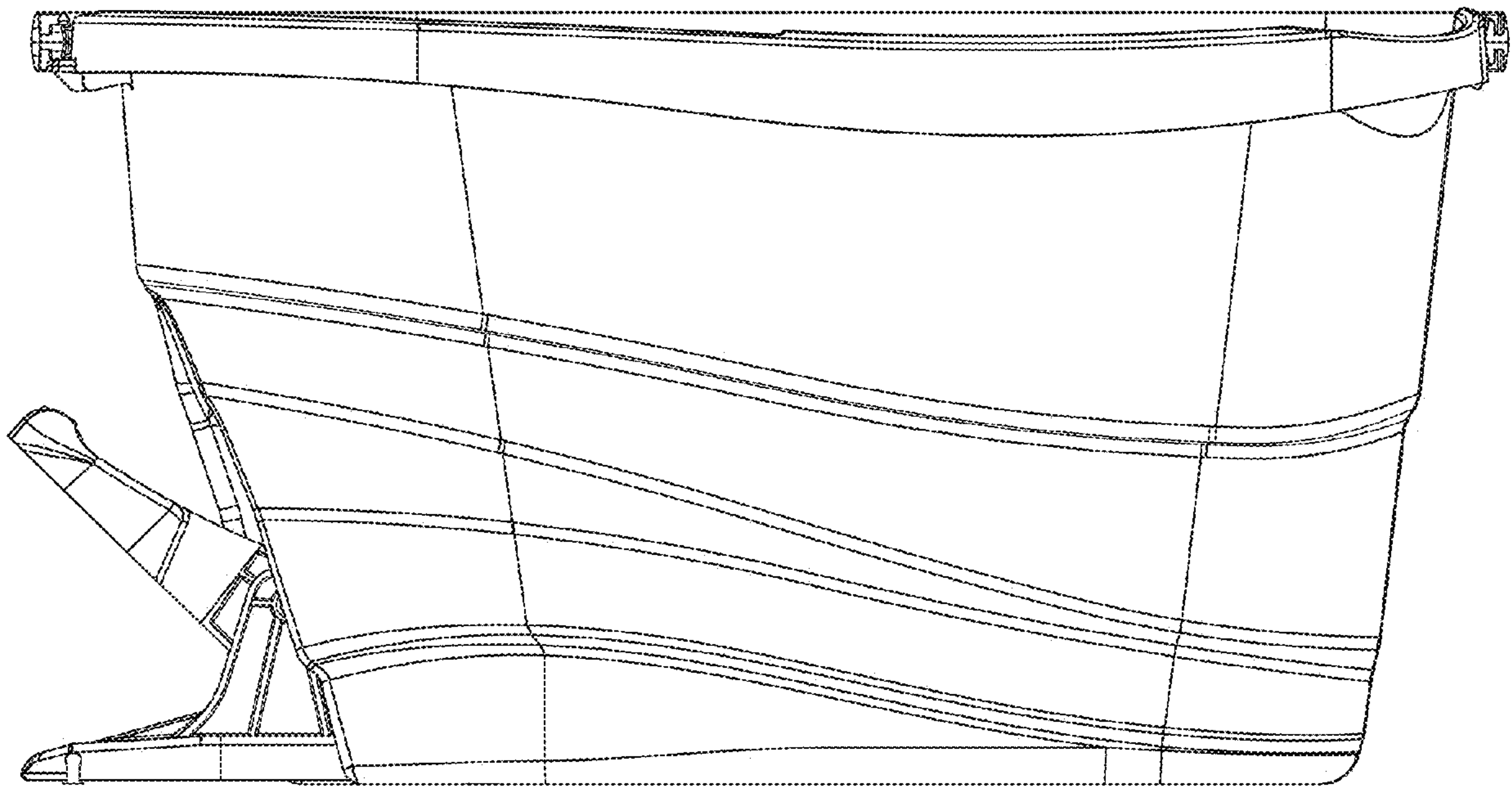


FIG. 7