



US00D907871S

(12) **United States Design Patent**
Zhang

(10) **Patent No.:** **US D907,871 S**
(45) **Date of Patent:** **** Jan. 12, 2021**

- (54) **TWIST DRY MOP**
- (71) Applicant: **NINGBO TOPLEADER IMP. & EXP.CO., LTD**, Ningbo (CN)
- (72) Inventor: **Kai Zhang**, Ningbo (CN)
- (**) Term: **15 Years**
- (21) Appl. No.: **29/744,558**
- (22) Filed: **Jul. 29, 2020**
- (51) **LOC (13) Cl.** **07-05**
- (52) **U.S. Cl.**
USPC **D32/51**
- (58) **Field of Classification Search**
USPC D32/35, 40, 50-53
CPC A47L 13/44; A47L 13/254; A47L 13/20;
A47L 13/24; A47L 13/16; A47L 13/256;
A46B 13/02
See application file for complete search history.

- 7,650,665 B2 * 1/2010 Morris A47L 13/254
15/231
- D614,371 S * 4/2010 Blom D32/51
- D620,214 S * 7/2010 Clemen D32/50
- D634,497 S * 3/2011 Robertson D32/51
- 8,069,520 B2 * 12/2011 Mattucci A46B 13/02
15/4
- D658,344 S * 4/2012 Babic D32/50
- D702,906 S * 4/2014 Michels D32/50
- D740,052 S * 10/2015 Jalbert D6/582
- D757,618 S * 5/2016 Richardson D12/183
- D759,329 S * 6/2016 Colangelo D32/50
- 10,045,678 B2 * 8/2018 Hay A47L 13/44
- D860,563 S 9/2019 Kim

* cited by examiner

Primary Examiner — Michelle E. Wilson
(74) *Attorney, Agent, or Firm* — ZANIP

(57) **CLAIM**

The ornamental design for a twist dry mop, as shown and described.

DESCRIPTION

FIG. 1 is a front and top perspective view of a twist dry mop, showing my new design;
FIG. 2 is a rear and bottom perspective view thereof;
FIG. 3 is a front elevational view thereof;
FIG. 4 is a rear elevational view thereof;
FIG. 5 is a left side elevational view thereof;
FIG. 6 is a right side elevational view thereof;
FIG. 7 is an enlarged top plan view thereof;
FIG. 8 is an enlarged bottom plan view thereof; and,
FIG. 9 is an enlarged view of a portion labeled, 'FIG. 9' in FIG. 1.

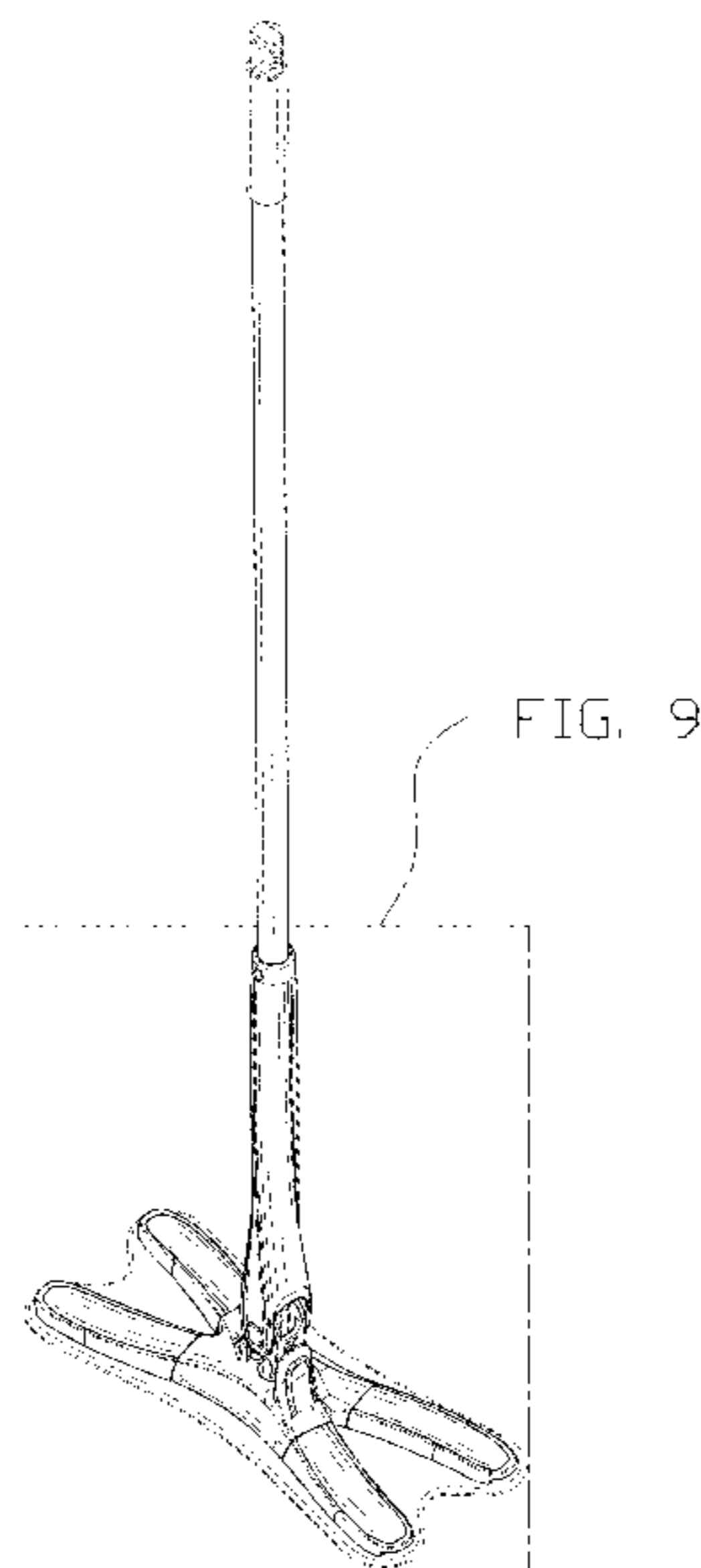
The dashed broken lines in the figures illustrate portions of the twist dry mop that form no part of the claimed design. The dash dot dash lines in FIGS. 1 and 9 are for the purpose of depicting the cut line of the enlarged view and form no part of the claim.

1 Claim, 9 Drawing Sheets

(56) **References Cited**

U.S. PATENT DOCUMENTS

- 3,737,938 A * 6/1973 Saltzstein A47L 13/256
15/231
- 4,114,223 A * 9/1978 Buchanan A47L 13/20
15/228
- 4,852,210 A * 8/1989 Krajicek A47L 13/20
15/228
- D312,156 S * 11/1990 Dowlat, III D32/40
- 4,970,750 A * 11/1990 Davis A47L 13/16
15/228
- D368,561 S * 4/1996 Hodges D32/50
- D384,457 S * 9/1997 Morissette D32/51
- 6,029,308 A * 2/2000 Smith A47L 13/24
15/145
- D464,181 S * 10/2002 Ng D32/40
- D467,396 S * 12/2002 Savage D32/51
- 7,404,227 B2 * 7/2008 Otsuka A47L 13/20
15/208
- D586,966 S * 2/2009 Nobile D32/40



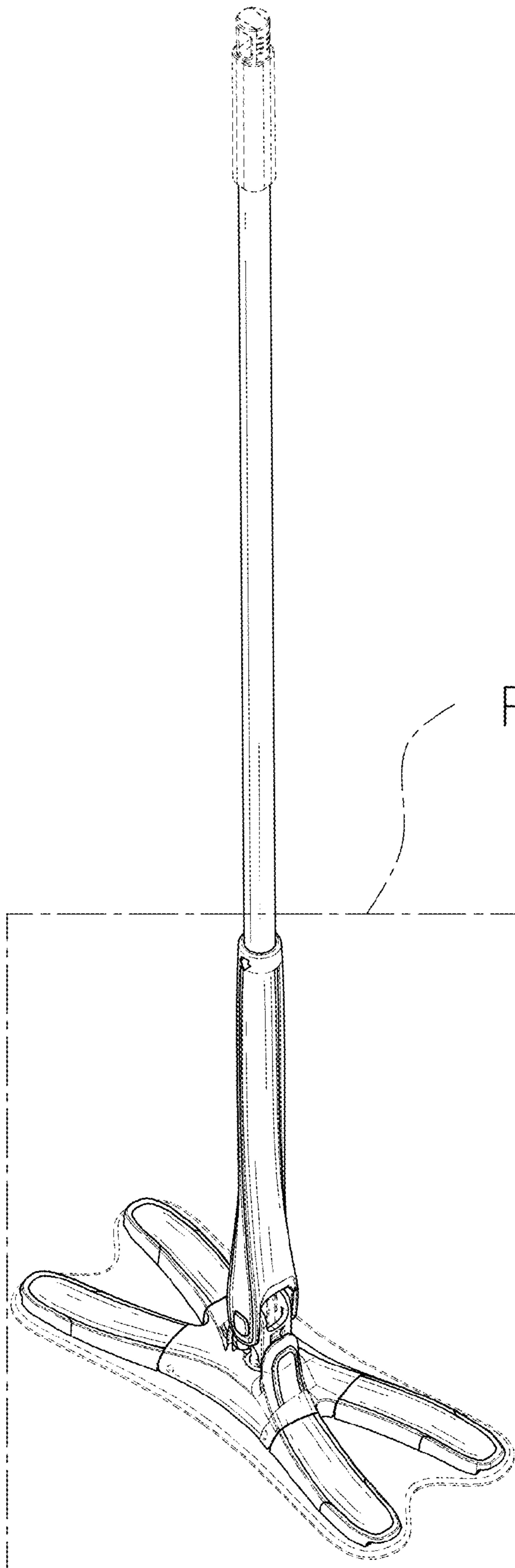


FIG. 9

FIG. 1

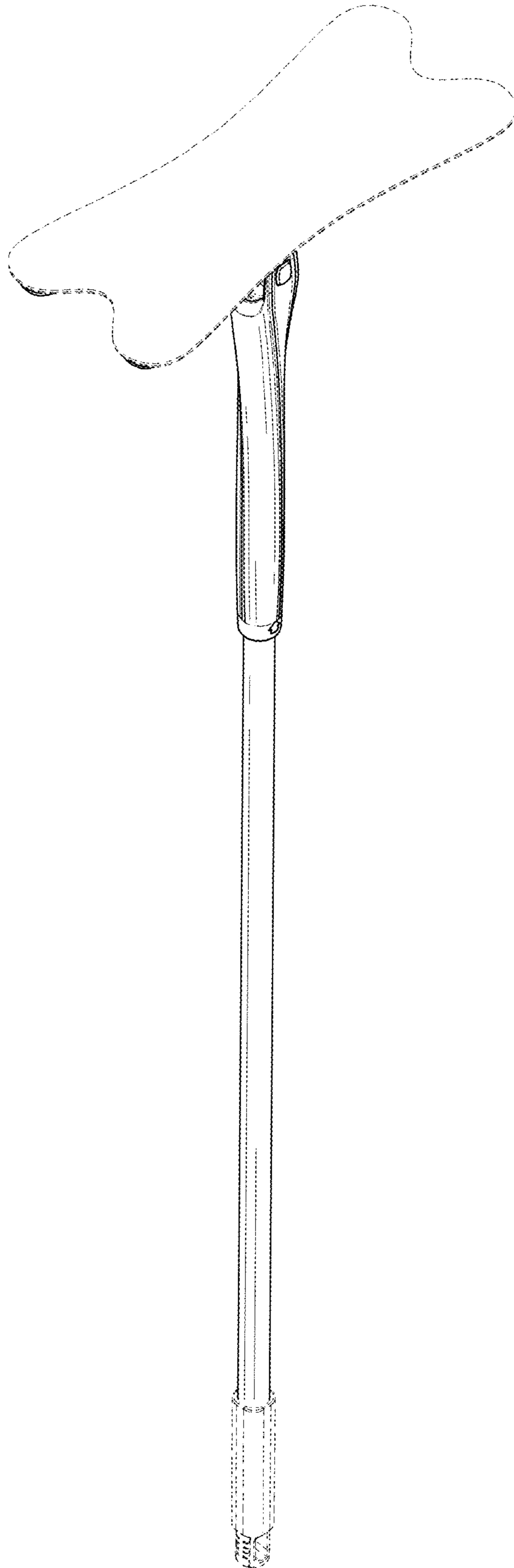


FIG. 2

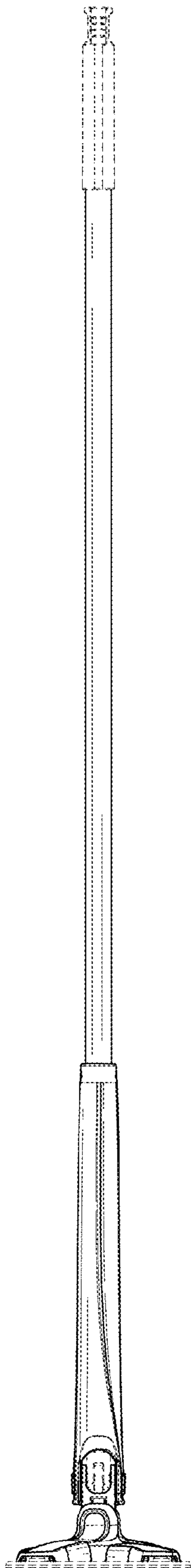


FIG. 3

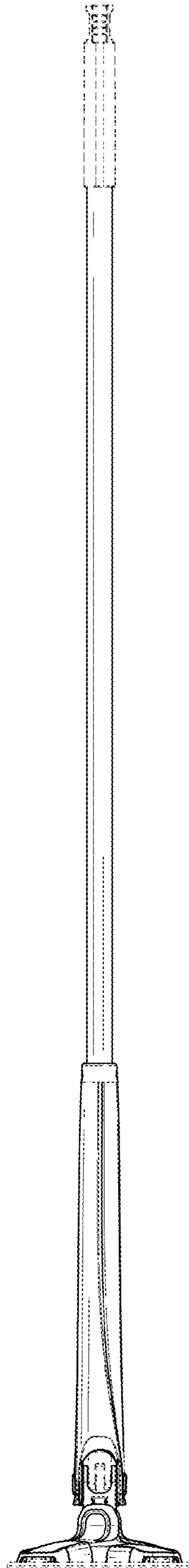


FIG. 4

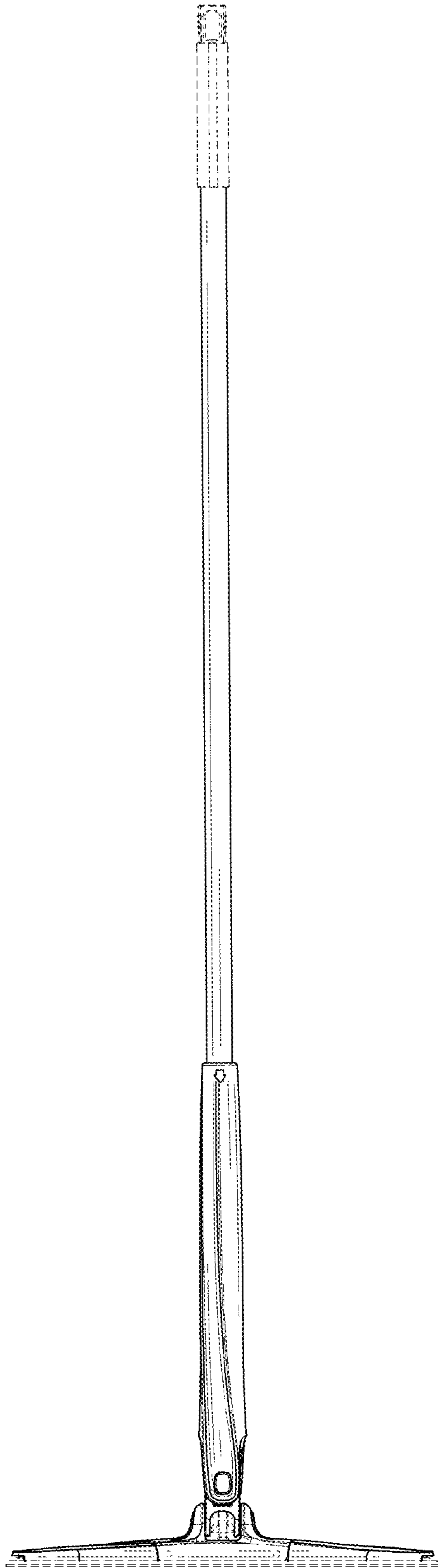


FIG. 5

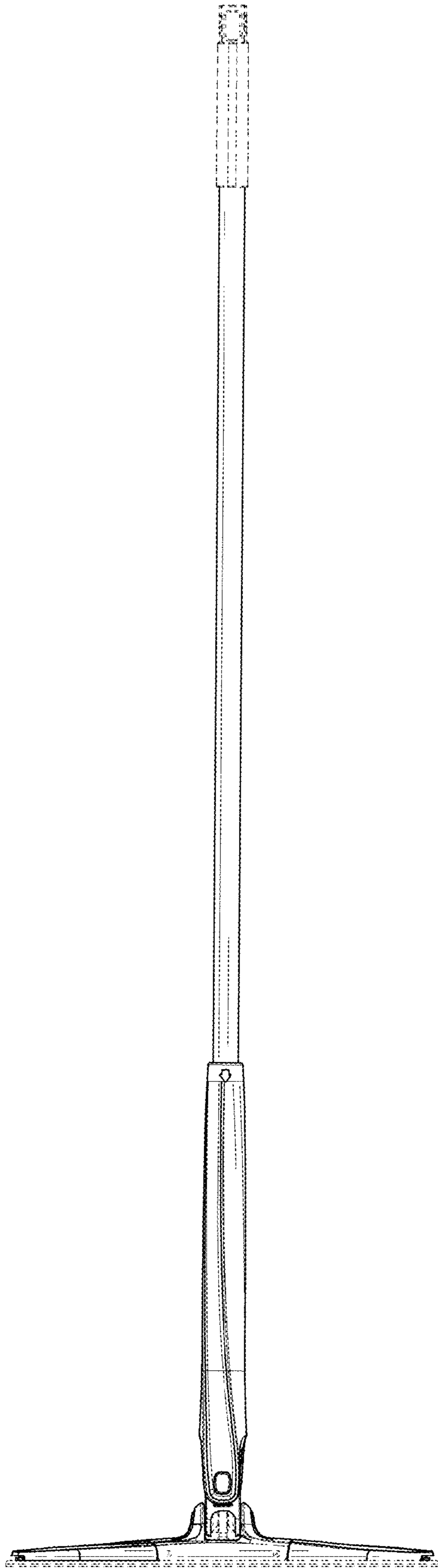


FIG. 6

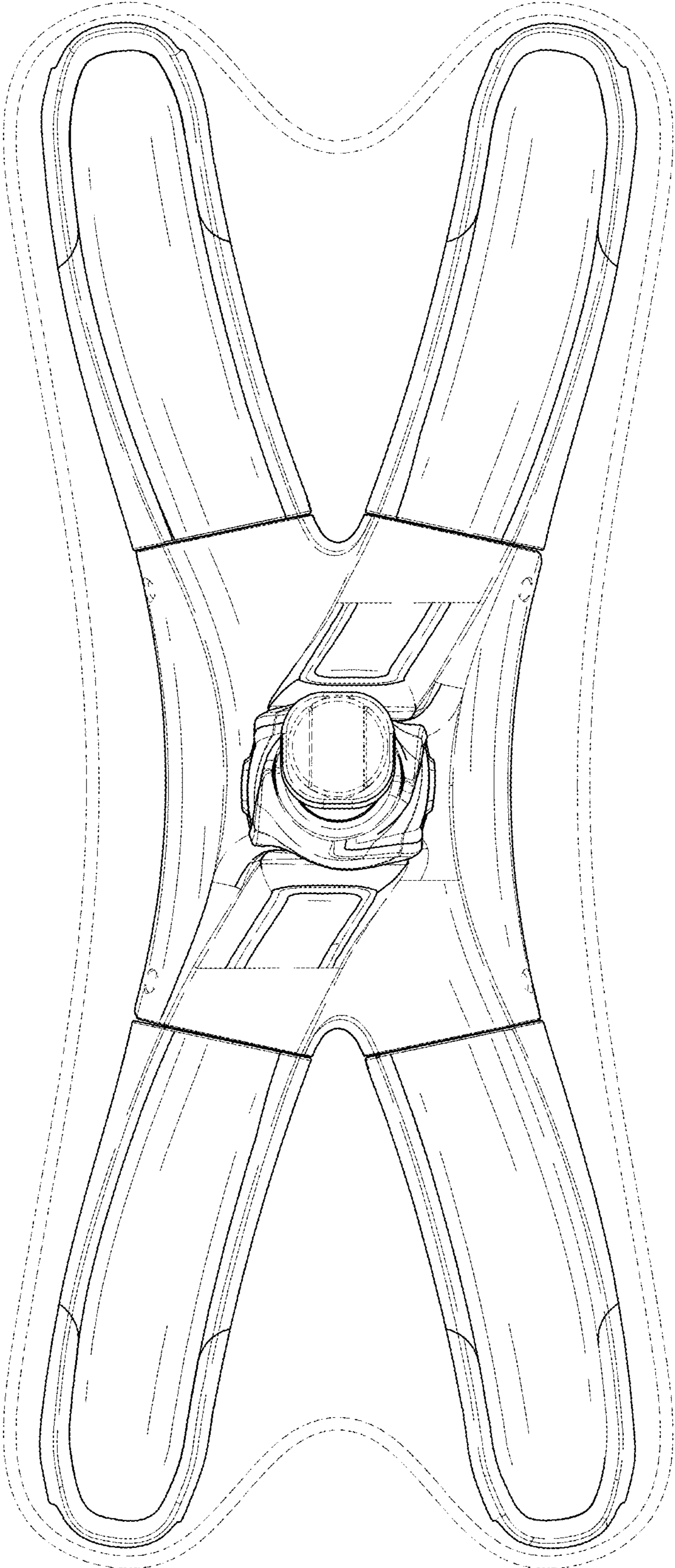


FIG. 7

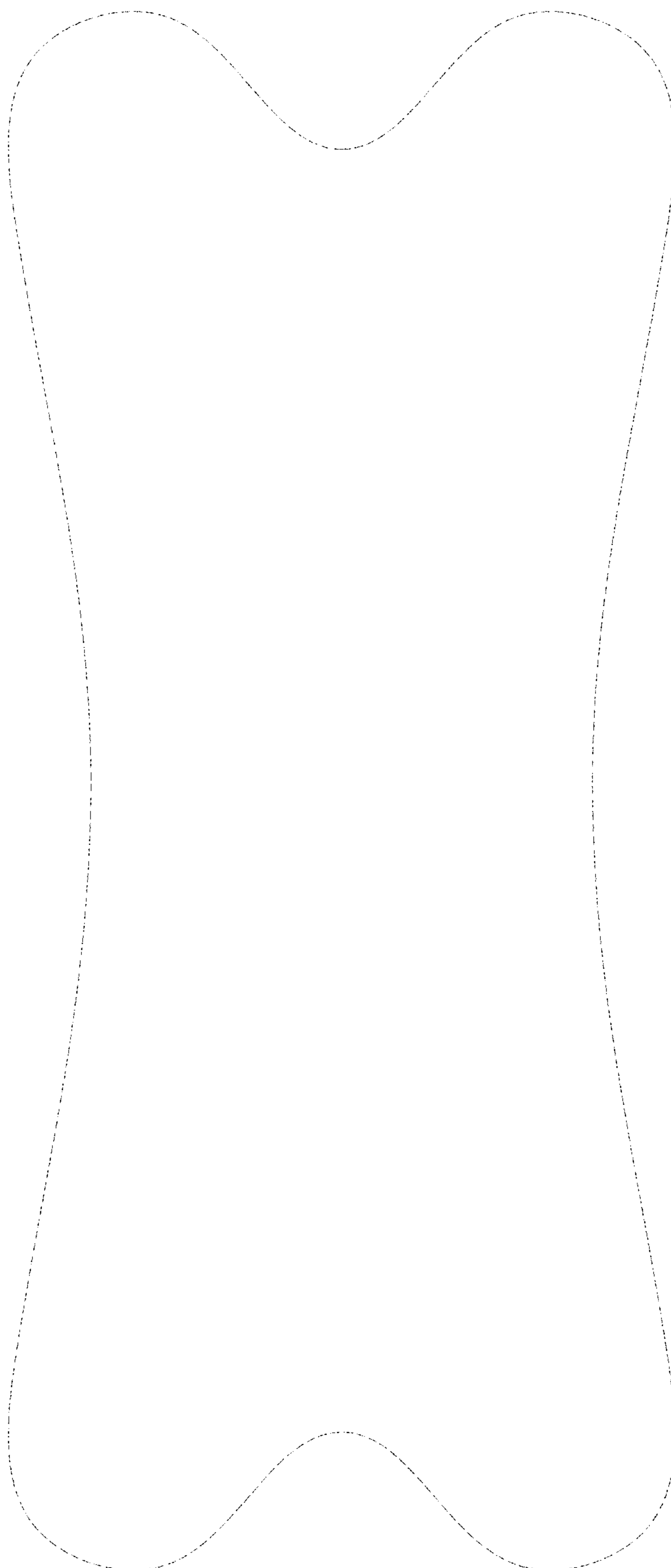


FIG. 8

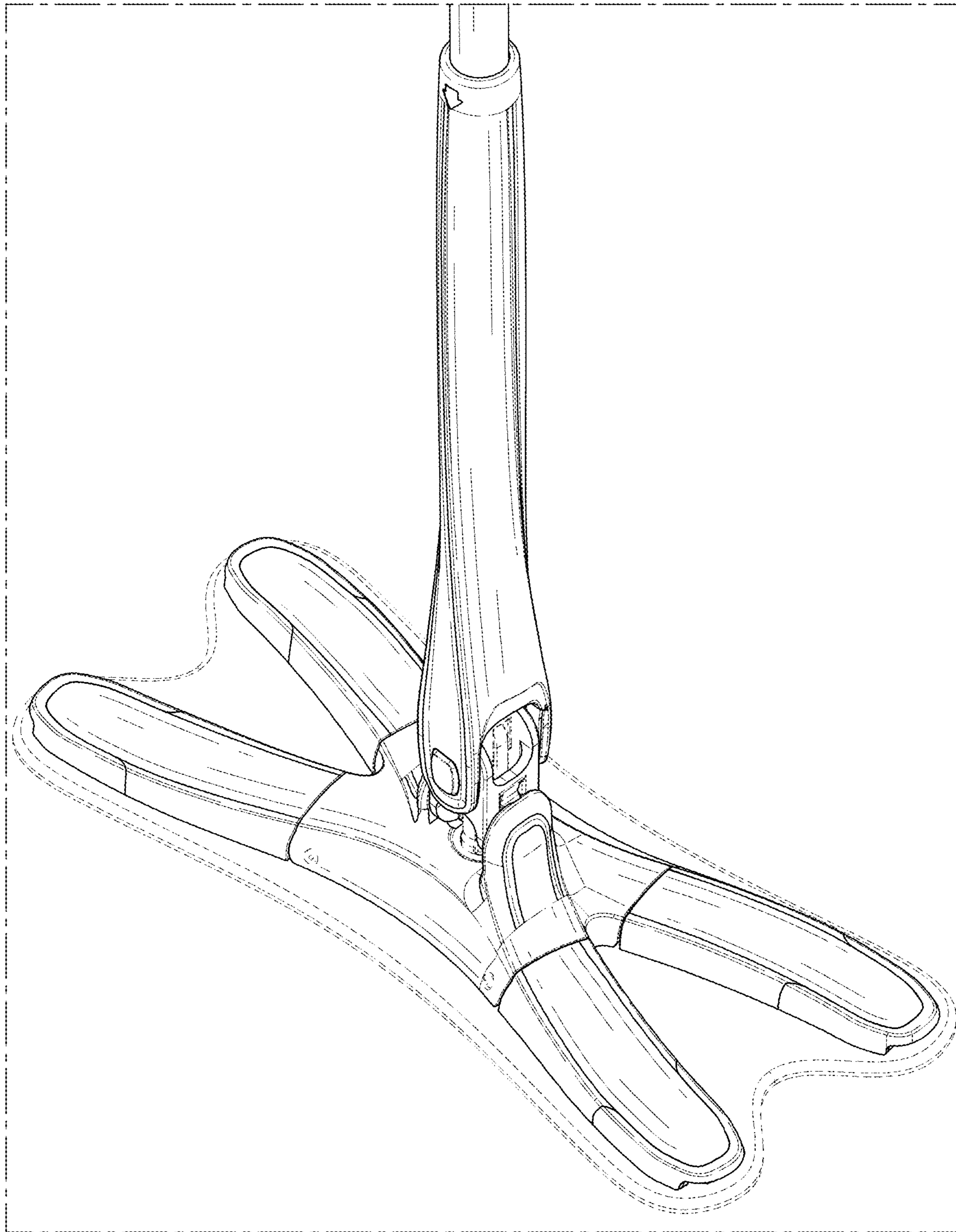


FIG. 9