



US00D907869S

(12) **United States Design Patent**  
**Yang et al.**

(10) **Patent No.:** **US D907,869 S**  
(45) **Date of Patent:** **\*\* Jan. 12, 2021**

(54) **WHEEL OF MOBILE CLEANING ROBOT**

(71) Applicant: **GuangDong BONA Robot Co., Ltd.**,  
Shenzhen (CN)

(72) Inventors: **Yong Yang**, Shenzhen (CN); **Zhuobin Zheng**, Shenzhen (CN); **Lilei Wang**,  
Shenzhen (CN)

(73) Assignee: **GUANGDONG BONA ROBOT CO., LTD.**, Shenzhen (CN)

(\*\*) Term: **15 Years**

(21) Appl. No.: **29/710,056**

(22) Filed: **Oct. 19, 2019**

(30) **Foreign Application Priority Data**

Apr. 25, 2019 (CN) ..... 2019 3 0194038

(51) **LOC (13) Cl.** ..... **15-05**

(52) **U.S. Cl.**  
USPC ..... **D32/31; D12/204**

(58) **Field of Classification Search**  
USPC ..... D7/402; D3/318; D12/205, 501, 579;  
D32/31; D34/10  
CPC ..... A47L 5/28; A47L 7/0038; A47L 9/009;  
B60C 1/0016; B60C 11/0302  
See application file for complete search history.

(56) **References Cited**

**U.S. PATENT DOCUMENTS**

D221,013 S \* 6/1971 Golden ..... D12/204  
D221,424 S \* 8/1971 Golden ..... D12/501

D276,513 S \* 11/1984 Honsa ..... D12/204  
D325,011 S \* 3/1992 Markling ..... D12/210  
D326,837 S \* 6/1992 Hultstrum ..... D12/204  
D327,048 S \* 6/1992 Markling ..... D12/204  
D328,048 S \* 7/1992 Markling ..... D12/204  
D352,687 S \* 11/1994 Markling ..... D12/204  
D498,975 S \* 11/2004 Choi ..... D7/402  
D570,070 S \* 5/2008 Morris ..... D12/204  
D808,877 S \* 1/2018 Liu ..... D12/204  
D809,726 S \* 2/2018 Park ..... D32/31  
D869,848 S \* 12/2019 Wu ..... D3/318

\* cited by examiner

*Primary Examiner* — Michelle E. Wilson

*Assistant Examiner* — Richard E Yenchsky

(74) *Attorney, Agent, or Firm* — Bayes PLLC

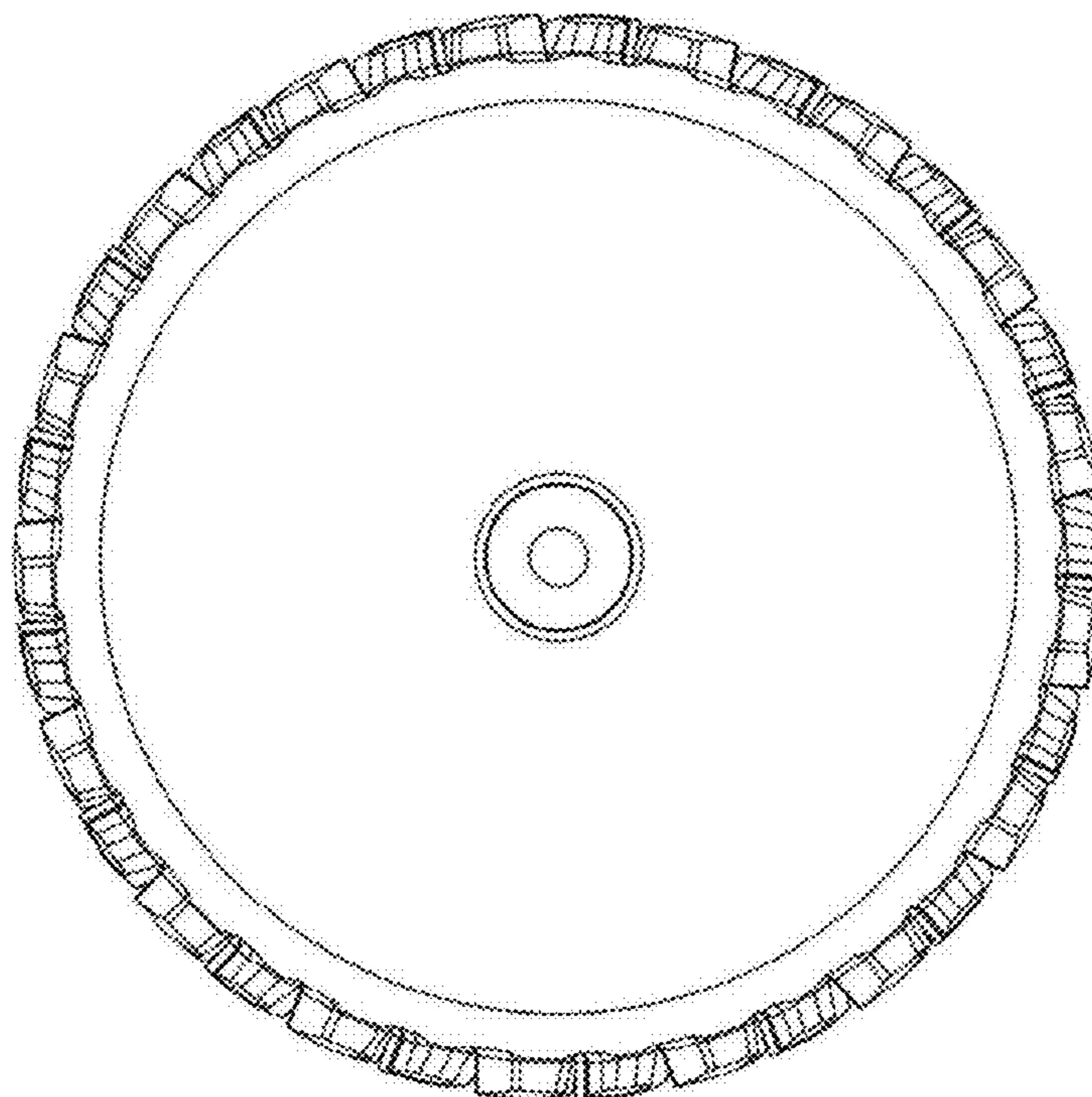
(57) **CLAIM**

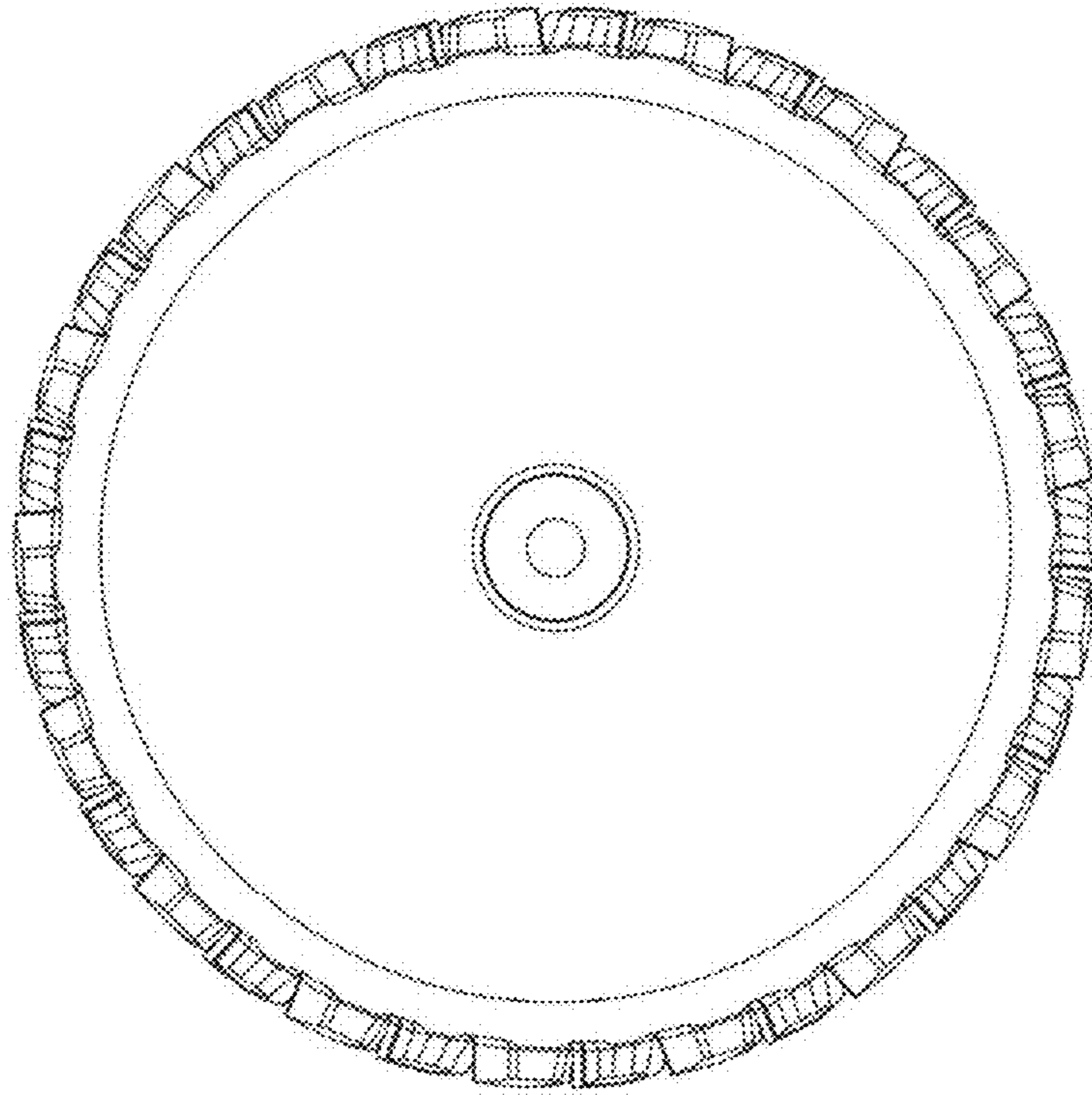
The ornamental design for a wheel of mobile cleaning robot,  
as shown and described.

**DESCRIPTION**

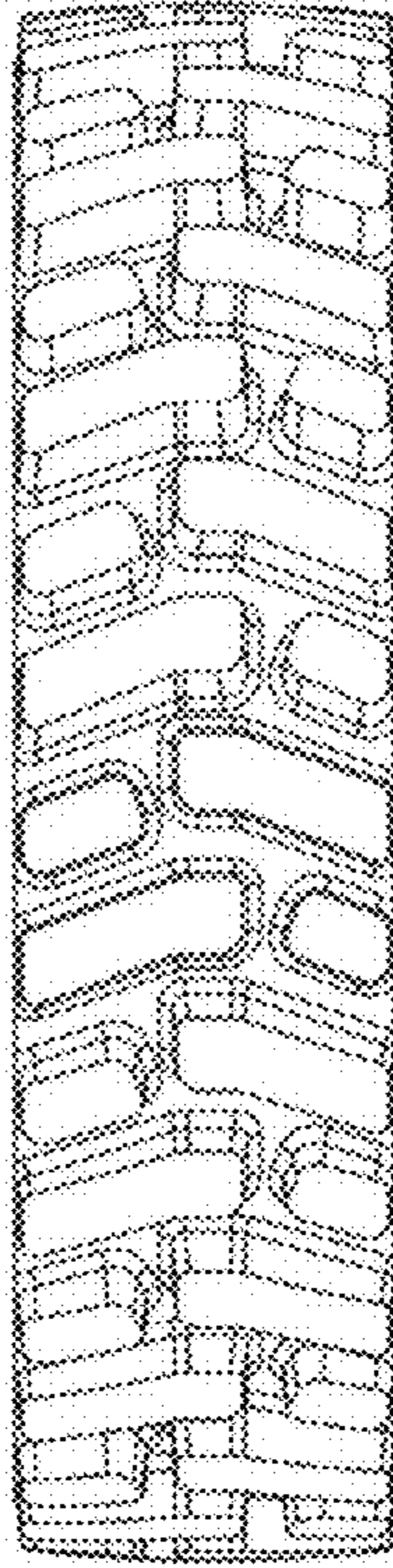
FIG. 1 is a front view of a wheel of mobile cleaning robot showing the claimed design;  
FIG. 2 is a left side view thereof;  
FIG. 3 is a right side view thereof;  
FIG. 4 is a rear view thereof;  
FIG. 5 is a top view thereof;  
FIG. 6 is a bottom view thereof; and,  
FIG. 7 is a perspective view thereof.

**1 Claim, 7 Drawing Sheets**

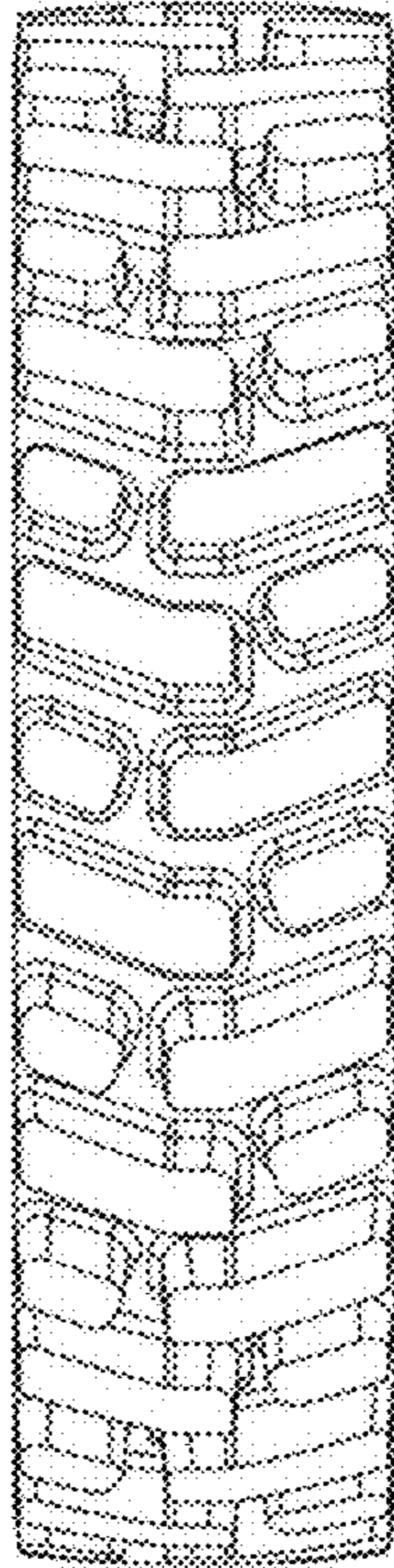




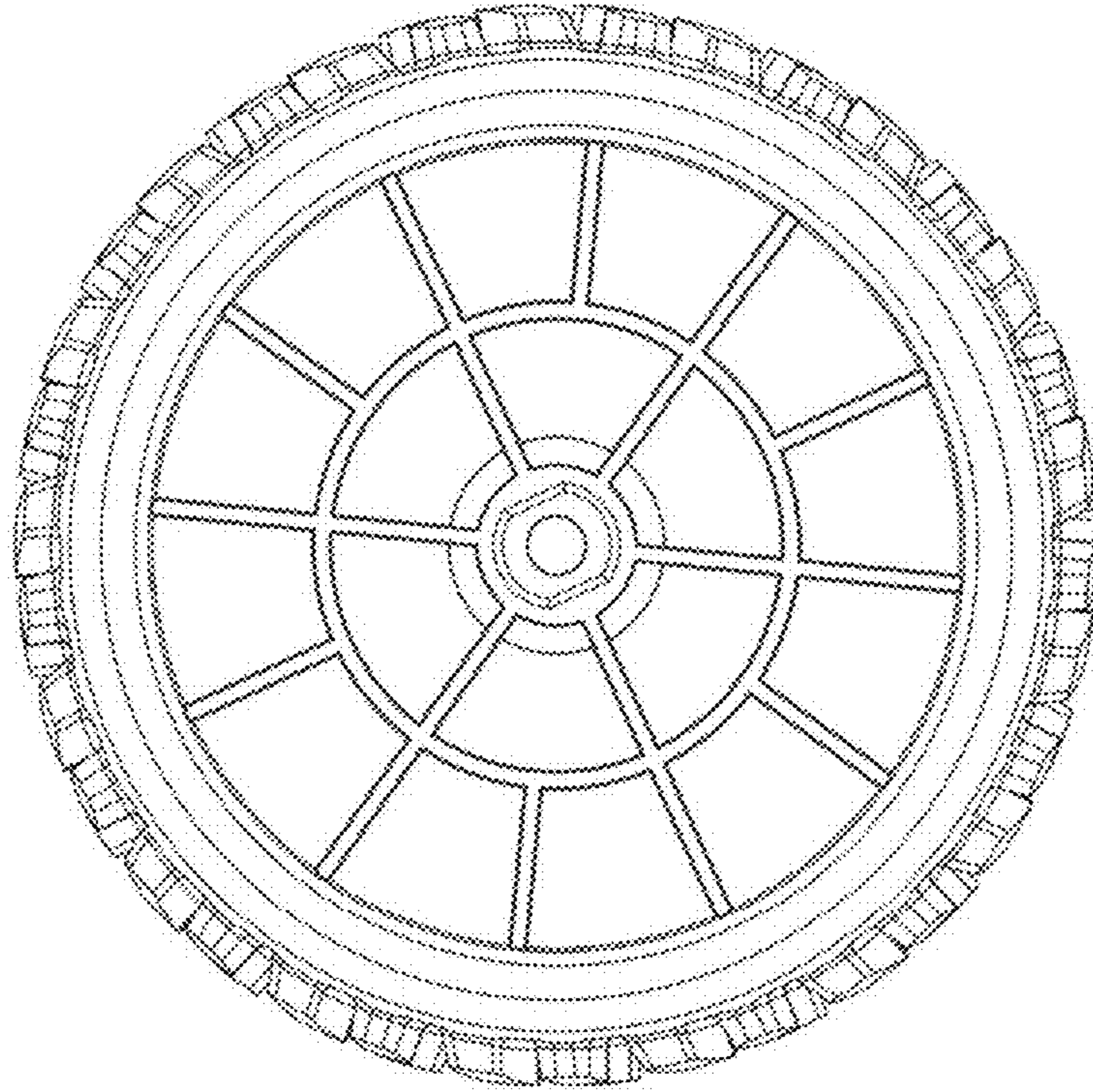
**FIG. 1**



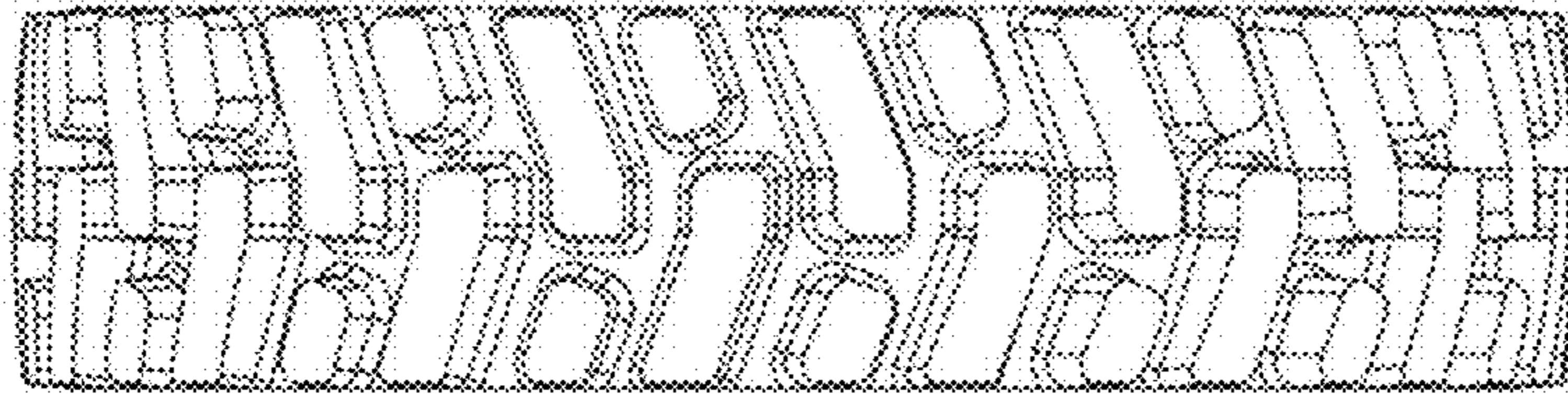
**FIG. 2**



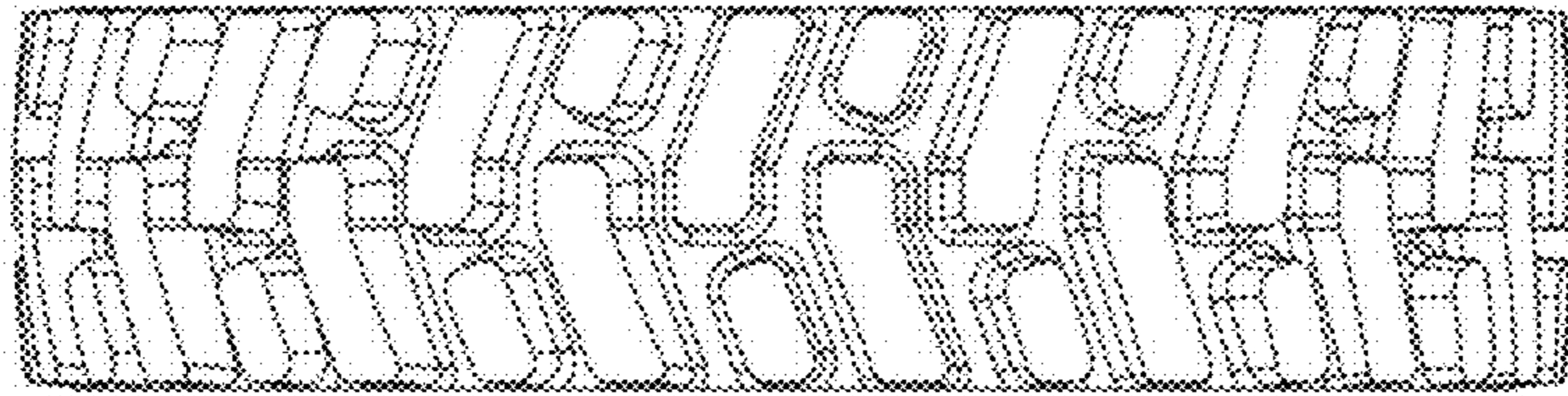
**FIG. 3**



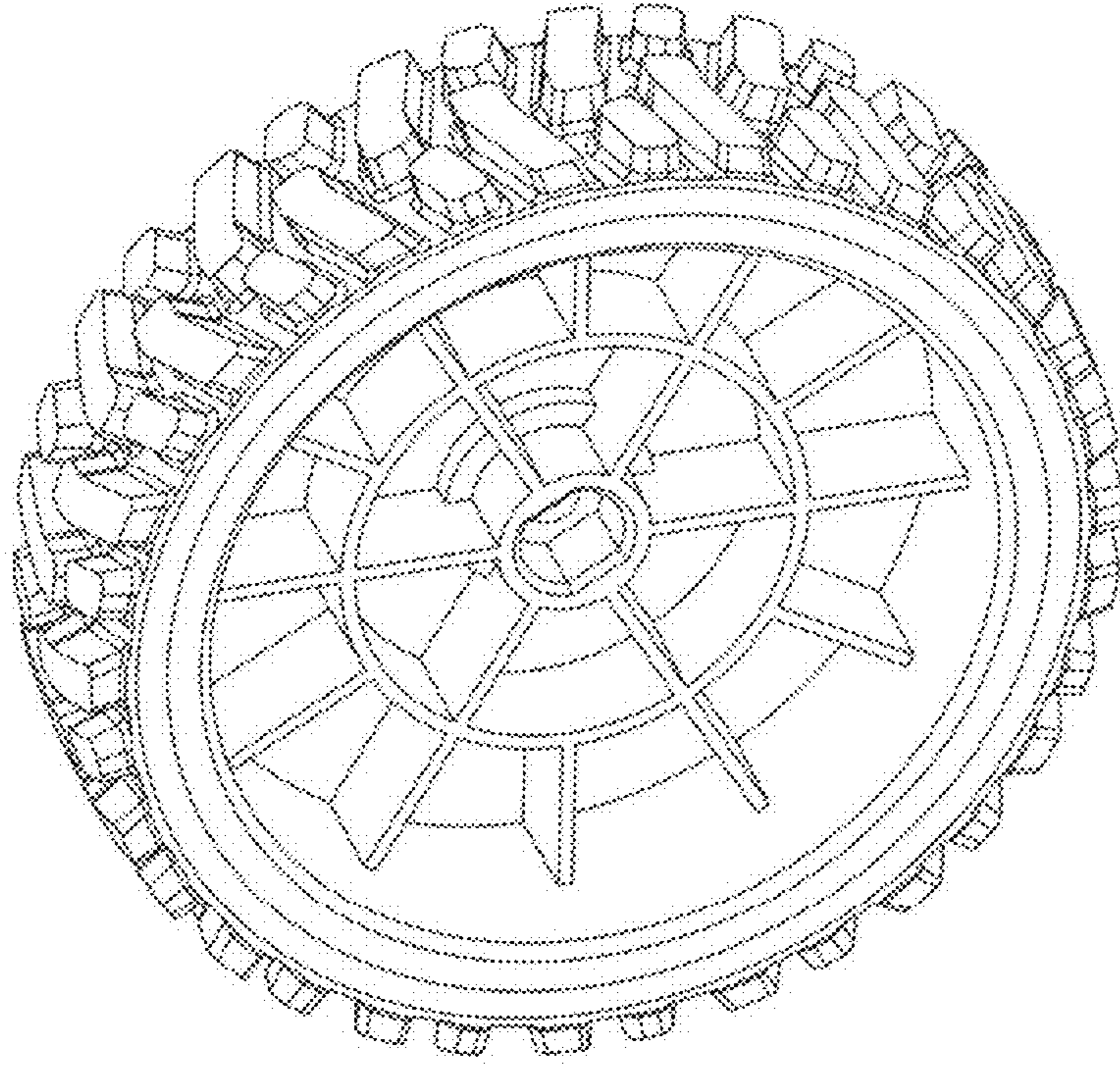
**FIG. 4**



**FIG. 5**



**FIG. 6**



**FIG. 7**