



US00D907868S

(12) **United States Design Patent** (10) **Patent No.:** **US D907,868 S**  
**Bearup et al.** (45) **Date of Patent:** **\*\* Jan. 12, 2021**

(54) **FLOOR CLEANER**

3,005,224 A 10/1961 taski  
3,020,576 A 2/1962 Gerber  
3,040,363 A 6/1962 Krammes et al.  
3,065,490 A 11/1962 Arones  
(Continued)

(71) Applicant: **KÄRCHER NORTH AMERICA, INC.**, Denver, CO (US)

(72) Inventors: **Adam Bearup**, Lakewood, CO (US);  
**Glenn Schmierer**, Denver, CO (US)

(73) Assignee: **KARCHER NORTH AMERICA, INC.**, Denver, CO (US)

**FOREIGN PATENT DOCUMENTS**

AT 0231900 2/1964  
AU 226251 6/1959  
(Continued)

(\*\*) Term: **15 Years**

**OTHER PUBLICATIONS**

(21) Appl. No.: **29/677,963**

Floor Care Machines & Vacuums | Scrubbers, Global Industries Auto Floor Scrubber, question date 2017, <https://www.globalindustrial.com/p/janitorial-maintenance/floor-care/scrubbers/global-84...> site visited Nov. 24, 2019.\*

(22) Filed: **Jan. 24, 2019**

(51) **LOC (13) Cl.** ..... **15-05**

(52) **U.S. Cl.**  
USPC ..... **D32/16**

(58) **Field of Classification Search**  
USPC ..... D32/2-3, 15-26, 30, 35, 39, 46, 54;  
D4/128, 103, 121-122, 124, 116, 133,  
D4/199, 138; D3/200  
CPC ..... B32B 33/00; A47L 25/00  
See application file for complete search history.

(Continued)  
*Primary Examiner* — John R Yeh  
(74) *Attorney, Agent, or Firm* — Sheridan Ross P.C.

(57) **CLAIM**

The ornamental design for a floor cleaner, as shown and described.

(56) **References Cited**

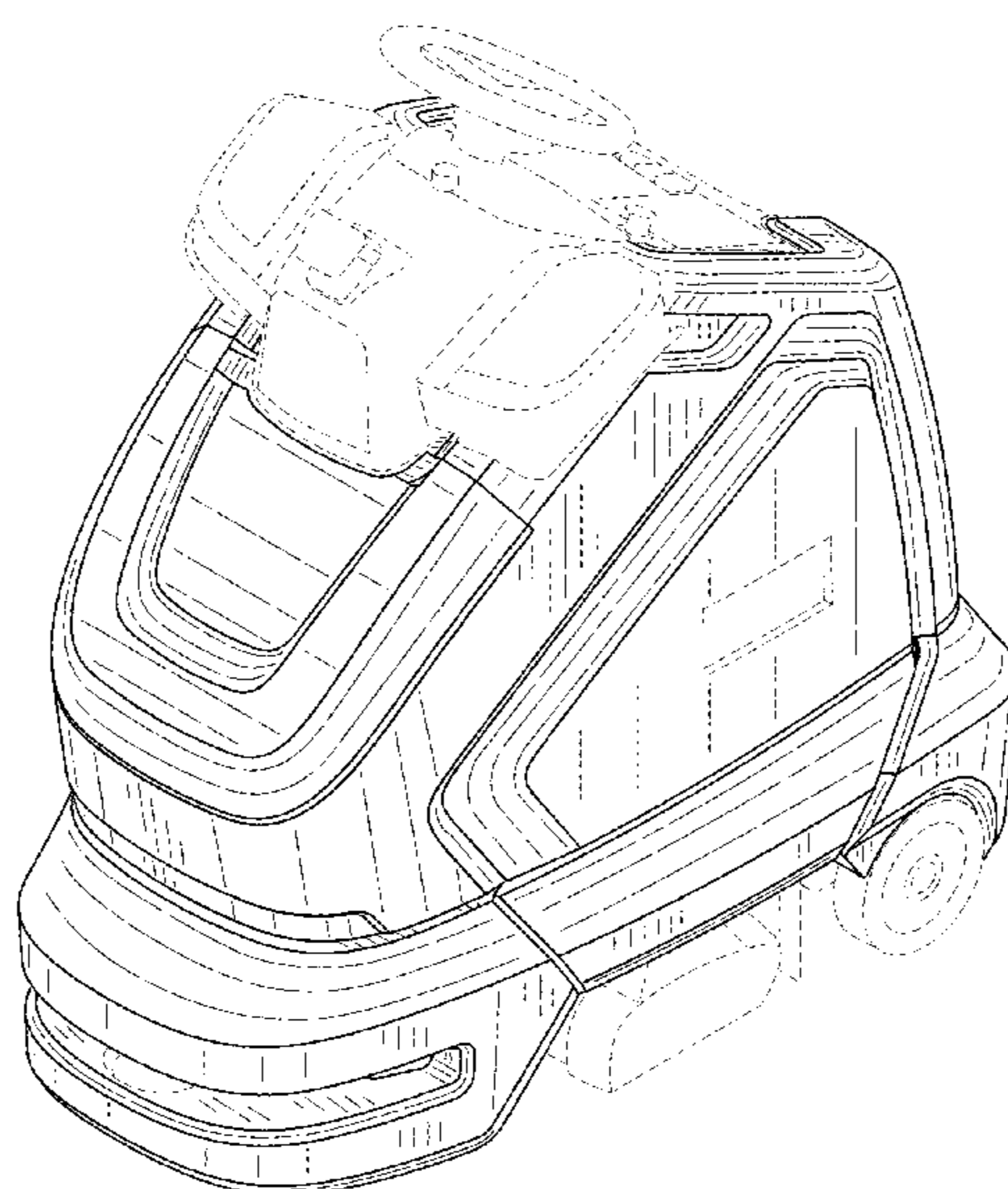
**U.S. PATENT DOCUMENTS**

1,268,963 A 6/1918 Gray  
1,596,041 A 8/1926 Young  
1,632,665 A 6/1927 Mitchell  
1,639,959 A 8/1927 Owen  
1,888,339 A 11/1932 White  
1,900,889 A 3/1933 Becker  
1,995,084 A 3/1935 Wichle  
1,999,696 A 4/1935 Kitto  
2,014,085 A 9/1935 Kroll et al.  
2,192,397 A 3/1940 Carlson  
2,263,762 A 11/1941 Dow et al.  
2,668,979 A 2/1954 MacFarland  
2,709,070 A 5/1955 Bielstein  
2,864,462 A 12/1958 Brace  
2,937,881 A 5/1960 Norrie

**DESCRIPTION**

FIG. 1 is a front perspective view of the floor cleaner;  
FIG. 2 is a front elevation view thereof;  
FIG. 3 is a rear elevation view thereof;  
FIG. 4 is a right elevation view thereof;  
FIG. 5 is a left elevation view thereof;  
FIG. 6 is a top plan view thereof; and,  
FIG. 7 is a bottom plan view thereof.  
The broken lines in the figures illustrate portions of the floor cleaner that form no part of the claimed design.  
The dot-dash line is provided to illustrate a boundary of the claimed design.

**1 Claim, 7 Drawing Sheets**



(56)

References Cited

U.S. PATENT DOCUMENTS

3,093,853 A	6/1963	Tamny	4,532,667 A	8/1985	Komesker et al.
3,186,021 A	6/1965	Krier et al.	4,538,695 A	9/1985	Bradt
3,189,931 A	6/1965	Krier et al.	4,553,626 A	11/1985	Kazmierczak et al.
3,193,862 A	7/1965	Lyon	4,554,701 A	11/1985	Van Raaij
D202,170 S	9/1965	Little et al.	4,572,023 A	2/1986	Euler
3,204,280 A	9/1965	Campbell	4,580,313 A	4/1986	Blehert
3,206,787 A	9/1965	Daniels et al.	4,586,208 A	5/1986	Trevarthen
3,224,524 A	12/1965	Laher	4,596,061 A	6/1986	Henning
3,233,274 A	2/1966	Kroll	4,611,363 A	9/1986	Samuelsson
3,284,830 A	11/1966	Kroll	4,633,541 A	1/1987	Block
3,322,350 A	5/1967	Heinicke	4,654,918 A	4/1987	Cooper
D213,586 S	3/1969	Howard et al.	D290,053 S	5/1987	Block
3,436,788 A	4/1969	Tamny	D290,054 S	5/1987	Block
3,461,479 A	8/1969	Tierney	4,674,048 A	6/1987	Okumura
3,504,858 A	4/1970	Liddiard	4,675,935 A	6/1987	Kasper et al.
3,506,080 A	4/1970	Hott	4,696,593 A	9/1987	Bayless
RE26,950 E	9/1970	Hays	4,700,427 A	10/1987	Knepper
3,584,439 A	6/1971	Gronholz	4,701,893 A	10/1987	Muller et al.
3,604,051 A	9/1971	Wendall et al.	4,710,020 A	12/1987	Maddox et al.
3,631,558 A	1/1972	Kovacevoc	4,715,087 A	12/1987	Todd et al.
3,639,936 A	2/1972	Ashton	4,716,980 A	1/1988	Butler
3,670,359 A	6/1972	Gutbrod	4,731,956 A	3/1988	Wood
3,701,177 A	10/1972	Meyer et al.	4,736,116 A	4/1988	Pavlak, Jr. et al.
3,702,488 A	11/1972	Kasper	4,741,069 A	5/1988	Helm et al.
3,705,437 A	12/1972	Rukauina, Jr. et al.	4,742,652 A	5/1988	Cannan et al.
3,705,746 A	12/1972	McLeod	4,751,658 A	6/1988	Kadonoff et al.
3,755,993 A	9/1973	Cote	4,759,094 A	7/1988	Palmer et al.
3,760,649 A	9/1973	Decouzon et al.	4,772,875 A	9/1988	Maddox et al.
3,797,744 A	3/1974	Smith	4,773,113 A	9/1988	Russell
3,833,961 A	9/1974	Fortman et al.	4,777,416 A	10/1988	George, II et al.
3,837,029 A	9/1974	Kasper	4,787,646 A	11/1988	Kamlukin et al.
3,846,865 A	11/1974	Holman	4,790,402 A	12/1988	Field et al.
3,871,826 A	3/1975	Bakay	4,799,286 A	1/1989	Rubin
3,879,789 A	4/1975	Kasper	4,803,753 A	2/1989	Palmer
3,883,301 A	5/1975	Emrick et al.	4,805,258 A	2/1989	Sitarski et al.
3,886,623 A	6/1975	Landesman et al.	4,809,397 A	3/1989	Jacobs et al.
3,892,003 A	7/1975	Peabody	4,815,008 A	3/1989	Kadonoff et al.
3,896,520 A	7/1975	Williams	4,815,840 A	3/1989	Benayad-Cherif et al.
3,927,899 A	12/1975	Bough	4,819,676 A	4/1989	Blehert et al.
3,933,451 A	1/1976	Johansson	4,821,192 A	4/1989	Taivalkoski et al.
3,955,236 A	5/1976	Mekelburg	4,821,958 A	4/1989	Shaffer
4,010,507 A	3/1977	Johnson	4,829,442 A	5/1989	Kadonoff et al.
4,019,218 A	4/1977	Cyphert	4,839,037 A	6/1989	Bertelsen et al.
4,037,289 A	7/1977	Dojan	4,846,297 A	7/1989	Field et al.
4,041,567 A	8/1977	Burgoon	4,847,944 A	7/1989	Lackner
4,046,321 A	9/1977	Hewett	4,850,077 A	7/1989	Venturini
4,108,268 A	8/1978	Block	4,874,055 A	10/1989	Beer
4,109,342 A	8/1978	Vermillion	4,879,784 A	11/1989	Shero
4,135,669 A	1/1979	Bridges et al.	4,884,313 A	12/1989	Zoni
4,173,052 A	11/1979	Burgoon et al.	4,920,997 A	5/1990	Vetter et al.
4,196,492 A	4/1980	Johnson et al.	4,922,575 A	5/1990	Riemann
4,200,952 A	5/1980	Smies et al.	4,939,808 A	7/1990	Roden et al.
4,200,953 A	5/1980	Overton	4,991,254 A	2/1991	Roden et al.
4,210,978 A	7/1980	Johnson et al.	4,996,468 A	2/1991	Field et al.
4,214,338 A	7/1980	Kyle et al.	5,005,128 A	4/1991	Robins et al.
4,219,901 A	9/1980	Burgoon et al.	5,005,597 A	4/1991	Popelier et al.
D258,963 S *	4/1981	Phillips ..... D32/16	5,020,620 A	6/1991	Field
4,293,971 A	10/1981	Block	5,026,488 A	6/1991	Mesheau
4,310,944 A	1/1982	Kroll et al.	5,027,464 A	7/1991	Knowlton
4,314,385 A	2/1982	Wimsatt et al.	5,032,775 A	7/1991	Mizuno et al.
4,328,014 A	5/1982	Burgoon et al.	5,044,043 A	9/1991	Field et al.
4,339,841 A	7/1982	Walhauser et al.	5,045,118 A	9/1991	Mason et al.
4,348,783 A	9/1982	Swanson et al.	5,048,202 A	9/1991	Shero
4,354,569 A	10/1982	Eichholz	5,051,906 A	9/1991	Evans, Jr. et al.
D267,084 S	11/1982	Bittinger	5,054,150 A	10/1991	Best et al.
4,363,152 A	12/1982	Karpantry	5,054,158 A	10/1991	Williams et al.
4,383,551 A	5/1983	Lynch et al.	5,058,235 A	10/1991	Charky
4,429,433 A	2/1984	Burgoon	5,075,921 A	12/1991	Gleadall
D273,621 S	4/1984	Haub et al.	D323,797 S	2/1992	Oslapas et al.
D274,380 S *	6/1984	Palmer ..... D32/16	5,090,083 A	2/1992	Wulff
4,457,036 A	7/1984	Carlson et al.	5,093,955 A	3/1992	Blehert et al.
4,457,043 A	7/1984	Oeberg et al.	5,109,566 A	5/1992	Kobayashi et al.
4,467,494 A	8/1984	Jones	5,117,944 A	6/1992	Hurtevent
4,492,002 A	1/1985	Waldhauser et al.	5,127,124 A	7/1992	Palmer et al.
4,499,624 A	2/1985	Bloom et al.	5,135,080 A	8/1992	Haston
			5,138,742 A	8/1992	Charky
			5,168,947 A	12/1992	Rodenborn
			5,174,730 A	12/1992	Nieuwkamp et al.
			5,177,828 A	1/1993	Von Vett

(56)

References Cited

U.S. PATENT DOCUMENTS

5,184,372 A	2/1993	Mache	5,881,417 A	3/1999	Knowlton
5,212,848 A	5/1993	Geyer	5,890,258 A	4/1999	Lee
5,217,166 A	6/1993	Schulze et al.	5,898,970 A	5/1999	Straiton
5,221,026 A	6/1993	Williams	5,901,409 A	5/1999	Schick et al.
D337,185 S *	7/1993	Wulff ..... D32/15	5,911,938 A	6/1999	El et al.
5,226,941 A	7/1993	Uibel et al.	5,920,953 A	7/1999	Shero
5,239,720 A	8/1993	Wood et al.	5,943,733 A	8/1999	Tagliaferri
5,245,144 A	9/1993	Stammen	5,984,031 A	11/1999	Velke et al.
5,265,300 A	11/1993	O'Hara et al.	5,993,563 A	11/1999	Strickland et al.
5,279,672 A	1/1994	Betker et al.	D420,473 S	2/2000	Shero
5,279,683 A	1/1994	Okada et al.	6,023,813 A	2/2000	Thatcher et al.
5,279,688 A	1/1994	Isokawa et al.	6,030,465 A	2/2000	Marcussen et al.
5,279,696 A	1/1994	Zangenfeind et al.	6,032,326 A	3/2000	Roden et al.
5,279,699 A	1/1994	Taguchi et al.	6,041,471 A	3/2000	Charkey et al.
5,279,701 A	1/1994	Shigeta et al.	6,059,055 A	5/2000	Velke et al.
5,298,080 A	3/1994	Von Vett	6,073,304 A	6/2000	Knowlton et al.
5,303,448 A	4/1994	Hennessey et al.	6,088,873 A	7/2000	Pacchini et al.
5,307,538 A	5/1994	Rench et al.	6,131,240 A	10/2000	Shark et al.
5,311,892 A	5/1994	Adelt et al.	6,145,855 A	11/2000	Bellis, Jr. et al.
5,349,718 A	9/1994	Gibbon	6,158,084 A	12/2000	Weber et al.
5,360,307 A	11/1994	Schemm et al.	6,158,673 A	12/2000	Toetschinger
5,364,114 A	11/1994	Petersen	6,182,328 B1	2/2001	Roden
5,371,918 A	12/1994	Shero	6,206,980 B1	3/2001	Robinson
5,372,376 A	12/1994	Pharaoh	6,212,731 B1	4/2001	Eckerlein
5,377,376 A	1/1995	Wood et al.	RE37,162 E	5/2001	Roden
5,377,382 A	1/1995	Bores et al.	6,226,983 B1	5/2001	Roden
5,383,605 A	1/1995	Teague	6,227,957 B1	5/2001	Legatt et al.
5,390,690 A	2/1995	Blaga	6,230,363 B1	5/2001	Kawai et al.
5,403,152 A	4/1995	Trautloff et al.	6,266,892 B1	7/2001	Haynie
5,403,473 A	4/1995	Moorehead et al.	6,267,190 B1	7/2001	Micheletti
5,416,949 A	5/1995	Jute	6,283,170 B1	9/2001	Robinson
5,419,006 A	5/1995	Duthie	6,302,230 B1	10/2001	Kamen et al.
5,426,805 A	6/1995	Fisher	6,338,013 B1	1/2002	Ruffner
5,435,038 A	7/1995	Sauers	6,347,681 B1	2/2002	Patmont et al.
D361,414 S	8/1995	Trautloff et al.	6,357,070 B1	3/2002	Venard et al.
RE35,033 E	9/1995	Waldhauser	6,367,120 B2	4/2002	Beauchamp
5,455,979 A	10/1995	Bores et al.	6,371,228 B1	4/2002	Husted et al.
5,455,985 A	10/1995	Hamline et al.	6,397,429 B1	6/2002	Legatt et al.
D364,012 S	11/1995	Bothun et al.	6,421,868 B1	7/2002	Tran
5,463,791 A	11/1995	Roden	6,425,958 B1	7/2002	Giddings et al.
5,465,451 A	11/1995	Stegens	6,427,285 B1	8/2002	Legatt et al.
5,465,456 A	11/1995	Fellhauer et al.	6,428,590 B1	8/2002	Lehman et al.
5,467,500 A	11/1995	O'Hara et al.	6,431,217 B2	8/2002	Robinson
D365,423 S *	12/1995	Bores ..... D32/16	6,431,302 B2	8/2002	Patmont et al.
5,485,653 A	1/1996	Knowlton et al.	6,442,789 B1	9/2002	Legatt et al.
5,500,979 A	3/1996	Worwag	6,450,867 B1	9/2002	Legatt
D369,446 S	4/1996	Smith	6,453,506 B1	9/2002	Sumner
5,502,868 A	4/1996	Braeendle	6,464,025 B1	10/2002	Koepfer et al.
5,509,162 A	4/1996	Burgoon	6,484,353 B2	11/2002	Rau
D370,320 S	5/1996	Hachtmann	6,490,849 B1	12/2002	Scag et al.
5,513,409 A	5/1996	Biegel	6,497,422 B1	12/2002	Bellis, Jr. et al.
5,524,320 A	6/1996	Zachhuber	6,502,017 B2	12/2002	Ruffner
5,537,712 A	7/1996	Weber et al.	6,519,808 B2	2/2003	Legatt et al.
5,555,595 A	9/1996	Ligman	6,530,821 B2	3/2003	Legatt et al.
5,555,596 A	9/1996	Knowlton et al.	6,533,871 B2	3/2003	Zahuranec et al.
D376,227 S	12/1996	Knowlton et al.	6,535,793 B2	3/2003	Allard
5,607,178 A	3/1997	Legatt et al.	6,553,609 B2	4/2003	Tremmel et al.
5,608,947 A	3/1997	Knowlton et al.	6,554,207 B2	4/2003	Ebberts
5,611,108 A	3/1997	Knowlton et al.	6,571,805 B2	6/2003	Hoenisch et al.
5,620,309 A	4/1997	Todden et al.	6,585,827 B2	7/2003	Field et al.
5,625,920 A	5/1997	Bores et al.	6,594,844 B2	7/2003	Jones
5,628,086 A	5/1997	Knowlton et al.	6,600,981 B2	7/2003	Ruffner
5,630,246 A	5/1997	Knowlton et al.	6,625,843 B2	9/2003	Kim et al.
D380,070 S	6/1997	Shero	6,629,333 B2	10/2003	Bolden et al.
D381,480 S	7/1997	Linville et al.	6,647,585 B1	11/2003	Robinson
D382,383 S *	8/1997	Knowlton ..... D32/16	6,650,975 B2	11/2003	Ruffner
5,653,261 A	8/1997	Dalhart et al.	6,671,925 B2	1/2004	Field et al.
5,655,254 A	8/1997	Bores et al.	6,681,433 B1	1/2004	Ruuska et al.
D391,697 S	3/1998	Knowlton et al.	6,684,452 B2	2/2004	Lehman et al.
5,742,975 A	4/1998	Knowlton et al.	6,705,332 B2	3/2004	Field et al.
5,768,742 A	6/1998	Kohl et al.	6,721,990 B2	4/2004	Zahuranec et al.
5,784,754 A	7/1998	Roden et al.	6,725,512 B2	4/2004	Carter et al.
5,785,453 A	7/1998	Marty et al.	6,735,811 B2	5/2004	Field et al.
5,802,665 A	9/1998	Knowlton et al.	6,735,812 B2	5/2004	Hekman et al.
5,813,086 A	9/1998	Ueno et al.	6,760,947 B2	7/2004	Stuchlik
			6,772,475 B2	8/2004	Weber et al.
			6,789,290 B2	9/2004	Kent et al.
			6,842,940 B2	1/2005	Christopher et al.
			6,845,829 B2	1/2005	Hafendorfer

(56)

References Cited

U.S. PATENT DOCUMENTS

6,871,371 B2 3/2005 Guest  
 6,880,199 B1 4/2005 Huffman et al.  
 6,918,156 B2 7/2005 Joo et al.  
 6,918,603 B2 7/2005 Boyd  
 6,941,614 B2 9/2005 Montgomery  
 6,945,261 B2 9/2005 Wadsworth et al.  
 6,948,527 B2 9/2005 Ragner et al.  
 6,981,338 B2 1/2006 Jensen et al.  
 7,025,835 B2 4/2006 Pedlar et al.  
 7,028,925 B2 4/2006 Guest et al.  
 7,041,029 B2 5/2006 Fulghum et al.  
 7,048,805 B2 5/2006 Kent et al.  
 7,055,201 B2 6/2006 Buchegger et al.  
 7,059,004 B2 6/2006 Mitchell et al.  
 D525,000 S \* 7/2006 Williams ..... D32/15  
 7,113,847 B2 9/2006 Chmura et al.  
 D533,320 S 12/2006 Pedlar  
 D536,146 S 1/2007 Pedlar  
 D536,842 S 2/2007 Pedlar  
 D536,843 S 2/2007 Pedlar  
 D536,844 S 2/2007 Pedlar  
 D536,845 S 2/2007 Pedlar  
 D536,846 S 2/2007 Pedlar  
 D538,492 S 3/2007 Pedlar  
 D542,988 S 5/2007 Dammkoehler et al.  
 D543,323 S 5/2007 Pedlar  
 D544,659 S 6/2007 Auerswald et al.  
 D549,405 S 8/2007 Dammkoehler  
 7,287,299 B2 10/2007 Joynt  
 7,302,734 B2 12/2007 Nowak et al.  
 7,328,758 B2 2/2008 Ruffo  
 7,350,264 B2 4/2008 Bedard et al.  
 D569,057 S \* 5/2008 Goff ..... D32/16  
 7,370,386 B2 5/2008 Lehman et al.  
 D571,512 S 6/2008 Dammkoehler et al.  
 7,406,739 B2 8/2008 Guest et al.  
 7,430,782 B2 10/2008 Ruffo  
 7,533,435 B2 5/2009 Pedlar et al.  
 7,555,801 B2 7/2009 Peters et al.  
 7,611,555 B2 11/2009 Wattenberg et al.  
 7,712,181 B2 5/2010 Riach  
 7,841,042 B2 11/2010 Roden et al.  
 7,920,941 B2 4/2011 Park et al.  
 8,002,862 B2 8/2011 Schultink  
 D654,234 S 2/2012 Hein  
 D659,308 S 5/2012 Dammkoehler  
 D661,853 S \* 6/2012 Dammkoehler ..... D32/16  
 8,245,345 B2 8/2012 Pedlar et al.  
 8,261,759 B2 9/2012 Kelle et al.  
 8,302,240 B2 11/2012 Tucker et al.  
 8,397,333 B2 3/2013 Tucker et al.  
 8,438,685 B2 5/2013 Pedlar et al.  
 8,528,142 B1 9/2013 Pedlar et al.  
 D693,529 S 11/2013 Garner  
 8,887,340 B2 11/2014 Pedlar et al.  
 8,924,019 B2 12/2014 Tang  
 9,015,887 B1 4/2015 Pedlar et al.  
 D734,573 S \* 7/2015 Dammkoehler ..... D32/16  
 9,192,276 B2 11/2015 Pedlar et al.  
 D750,988 S 3/2016 Goldring  
 D751,435 S 3/2016 Goldring  
 9,451,861 B2 9/2016 Pedlar et al.  
 9,510,721 B2 12/2016 Pedlar et al.  
 D785,254 S \* 4/2017 Dammkoehler ..... D32/16  
 9,629,514 B2 4/2017 Hillen et al.  
 D793,635 S \* 8/2017 Dammkoehler ..... D32/16  
 9,730,566 B2 8/2017 Pedlar et al.  
 9,757,005 B2 9/2017 Pedlar et al.  
 10,010,231 B2 7/2018 Knutson et al.  
 10,555,657 B2 \* 2/2020 Pedlar ..... A47L 11/292  
 2001/0002500 A1 6/2001 Kasen et al.  
 2002/0073494 A1 \* 6/2002 Stuchlik ..... A47L 11/30  
 15/49.1  
 2003/0159225 A1 8/2003 Kuo  
 2003/0192963 A1 10/2003 Ebberts

2004/0040102 A1 3/2004 Field et al.  
 2004/0172769 A1 9/2004 Giddings et al.  
 2004/0187895 A1 9/2004 Field et al.  
 2004/0221407 A1 11/2004 Field et al.  
 2004/0226578 A1 11/2004 Guest et al.  
 2004/0226584 A1 11/2004 Guest et al.  
 2004/0262871 A1 12/2004 Schreuder et al.  
 2005/0081319 A1 4/2005 Legatt  
 2005/0166354 A1 8/2005 Uehigashi  
 2005/0251937 A1 11/2005 Ruffo  
 2006/0064844 A1 3/2006 Venard et al.  
 2006/0124770 A1 6/2006 Vernard et al.  
 2006/0156498 A1 7/2006 Vernard et al.  
 2006/0184293 A1 8/2006 Konandreas et al.  
 2006/0236494 A1 10/2006 Nelson et al.  
 2007/0209143 A1 9/2007 Cho et al.  
 2007/0240276 A1 10/2007 Pedlar et al.  
 2011/0004339 A1 1/2011 Ozick et al.  
 2011/0023918 A1 2/2011 Kelle et al.  
 2012/0096671 A1 4/2012 Venard et al.  
 2013/0005224 A1 1/2013 Leifheit et al.  
 2013/0261867 A1 10/2013 Burnett et al.  
 2014/0188326 A1 7/2014 Johnson et al.  
 2016/0238449 A1 8/2016 Goldring et al.  
 2016/0290863 A1 10/2016 Goldring et al.  
 2016/0299061 A1 10/2016 Goldring et al.  
 2017/0164804 A1 6/2017 Dickrell et al.  
 2017/0164805 A1 6/2017 Ickes et al.  
 2017/0340183 A1 11/2017 Pedlar et al.  
 2017/0360270 A1 12/2017 Dickrell et al.  
 2018/0110390 A1 4/2018 Pedlar et al.  
 2020/0069133 A1 3/2020 Wenzel

FOREIGN PATENT DOCUMENTS

BR PI0511488 1/2008  
 CA 2242793 7/1998  
 CA 2268234 10/1999  
 CN 300856004 \* 12/2008  
 CN 201543633 8/2010  
 CN 102613944 8/2012  
 DE 1023867 2/1958  
 DE 1270066 6/1968  
 DE 1658384 4/1971  
 DE 7703475 6/1977  
 DE 69011648 12/1994  
 DE 4440202 5/1995  
 DE 9421472 1/1996  
 DE 4429996 2/1996  
 DE 9421625 3/1996  
 DE 19539350 4/1997  
 DE 19745887 8/1998  
 DE 19851681 5/2000  
 DE 19851666 9/2000  
 DE 69608989 11/2000  
 DE 19927593 4/2001  
 DE 10029691 1/2002  
 DE 10030725 1/2002  
 DE 10062329 7/2002  
 DE 20204485 10/2002  
 DE 10142192 3/2003  
 DE 10204118 10/2003  
 DE 10218244 11/2003  
 DE 10221349 11/2003  
 DE 10221351 11/2003  
 DE 10221352 11/2003  
 DE 10307150 9/2004  
 DE 10324825 12/2004  
 DE 10324826 12/2004  
 DE 112010002823 7/2012  
 DE 102013113426 6/2014  
 DE 102015104250 9/2016  
 DE 102015112174 2/2017  
 EP 0017913 10/1980  
 EP 0176696 4/1986  
 EP 0176697 4/1986  
 EP 0189617 8/1986  
 EP 0281976 9/1988  
 EP 0282850 9/1988

(56)

## References Cited

## FOREIGN PATENT DOCUMENTS

EP	0283022	9/1988
EP	0421194	4/1991
EP	0569430	11/1993
EP	0621004	10/1994
EP	0792615	9/1997
EP	0867331	9/1998
EP	0948928	10/1999
EP	0951857	10/1999
EP	1023867	8/2000
EP	1108091	6/2001
EP	1108092	6/2001
EP	1164074	12/2001
EP	1260129	11/2002
EP	1335869	8/2003
EP	1265713	2/2004
EP	1677099	12/2004
EP	1604605	12/2005
EP	3199009	8/2017
FR	2224340	10/1974
GB	1112147	5/1968
GB	2338686	12/1999
JP	H04-264903	9/1992
JP	H07-47039	2/1995
JP	H08-182638	7/1996
JP	H08-196496	8/1996
JP	H09-94201	4/1997
JP	2000-217759	8/2000
JP	2001-258807	9/2001
JP	2002-078650	3/2002
JP	2003-246237	9/2003
JP	2003-504095	9/2003
JP	2005-324020	11/2005
KR	10-2011-0010329	2/2011
WO	WO 86/01240	2/1986
WO	WO 86/02394	4/1986
WO	WO 89/06624	7/1989
WO	WO 90/10416	9/1990
WO	WO 92/013480	8/1992
WO	WO 97/15730	5/1997
WO	WO 97/15731	5/1997
WO	WO 00/28149	5/2000
WO	WO 00/74549	12/2000
WO	WO 00/79058	12/2000
WO	WO 01/05216	1/2001
WO	WO 01/41935	6/2001
WO	WO 02/42184	5/2002
WO	WO 2005/079468	9/2005
WO	WO 2006/121783	11/2006
WO	WO 2016/045593	3/2016
WO	WO 2016/063284	4/2016
WO	WO 2016/125164	8/2016
WO	WO 2016/125165	8/2016
WO	WO 2016/162865	10/2016
WO	WO 2017/031364	2/2017
WO	WO 2017/031365	2/2017

## OTHER PUBLICATIONS

Swish Professional, Kärcher B 80 W Roller Scrubber Drier, [https://www.swishclean.com/product.htm?Product=95128850&Source=Category&Category=16\\_EQUIPMENT](https://www.swishclean.com/product.htm?Product=95128850&Source=Category&Category=16_EQUIPMENT), website 2015, site visited Nov. 24, 2019.\*

U.S. Appl. No. 90/013,028, dated Nov. 12, 2014, Reexam Certificate Issued for U.S. Pat. No. 7,533,435.

U.S. Appl. No. 90/130,026, dated Dec. 19, 2014, Reexam Certificate Issued for U.S. Pat. No. 8,528,142.

“Adgressor™ Scrubber Models BR 850S, 850CS, 950S, 950CS, BR 105OS, 1050CS,” Instructions for Use, Nilfisk Advance, 2004, 29 pages in multiple parts.

“Adgressor™ Scrubber Models BR 850S, 850CS, 950S, 950CS, BR 105OS, 1050CS,” Parts List, Nilfisk Advance, 2004, 69 pages in multiple parts.

“Adgressor™ Scrubber Models BR 850S, 850CS, 950S, 950CS, BR 105OS, 1050CS,” Service Manual Nilfisk Advance, 2006, 82 pages in multiple parts.

“Drawing closer to people combining robot technology and AI (expressing emotions),” Fujitsu, 2017, 3 pages [retrieved online from: [www.fujitsu.com/global/about/resources/featurestories/2017101801.html](http://www.fujitsu.com/global/about/resources/featurestories/2017101801.html)].

“Minny 16,” FIMAP, Italian Customized Cleaning, 2007, 8 pages.

“Mobile robots tackle the world,” Design News, Feb. 25, 1991, pp. 21-22.

Operating Instructions Manual for the Galopio Sweeping Machine identified as ‘Galopio.1, Listen-Nr. 1014691-4’, dated Oct. 7, 2002, (Galopio 2002), with certified translation dated Sep. 27, 2013, 179 pages.

“Powertech Automated Hard Floor Cleaning System,” Windsor Industries, 1991, 10 pages.

“RoboScrub Operators Manual,” Windsor Industries, 1991, 26 pages.

“Schmidt Produkte: Kleinkehrfahrzeug GALOPIO”, Photo of Galopio device, available at <http://database.schmidtgroup.net/loader.php/en/schmidt/swk/products/00011/picture1.html>, as early as Apr. 29, 2003, printed on Jan. 29, 2007, p. 1.

“Schmidt Produkte: Kleinkehrfahrzeug GALOPIO”, Photo of Galopio device, available at <http://database.schmidtgroup.net/loader.php/de/schmidt/swk/00011/>, as early as May 29, 2003, printed on Jan. 29, 2007, p. 1.

“Taski Swingo XP Scrubber,” Brochure, Johnson Diversey, 2007, 7 pages in multiple parts.

“The Autonomous Vacuum Cleaning Robot,” Appliance, Mar. 1991, pp. 55-56.

“The Science of Floor Care: Profi™ Rubber Floor Cleaner/Degreaser,” Taski, [http://www.johnsondiversey.com/Cultures/en-US-OpCo/Products+and+Systems/Categori . . .](http://www.johnsondiversey.com/Cultures/en-US-OpCo/Products+and+Systems/Categori...), accessed Nov. 12, 2008, 2 pages.

“Tomorrow’s Technologies: A Look Ahead at Showtime,” Modern Plastics, May 1991, pp. 55-58.

“User Interface for Scrubber/Vacuum Robots,” Windsor Industries, 1990, 23 pages.

Allied Sweepers 400 Series Specs., May 1998, 1 page.

Amended Answer and Counterclaims of Defendant Nilfisk-Advance, Inc., *Kärcher North America, Inc., v. Nilfisk-Advance, Inc.*, United States District Court for the District of Colorado, Case No. 1:13-cv-01284-CMA-MJW, filed Jul. 12, 2013, 13 pages.

Amended Declaration of Tyler L. Nasiedlak in Opposition to Kärcher North America, Inc.’s First Motion for Preliminary Injunction, (dated Nov. 21, 2013), *Kärcher North America, Inc., v. Nilfisk-Advance, Inc.*, United States District Court for the District of Colorado, Case No. 1:13-cv-01284-CMA-MJW, filed Nov. 21, 2013, 637 pages. (Uploaded in 3 parts).

American-Lincoln Encore Scrubber, Operator’s Manual & Parts List, American-Lincoln, 1998, 43 pages in multiple parts.

Answer and Counterclaims of Defendant Nilfisk-Advance, Inc., *Kärcher North America, Inc., v. Nilfisk-Advance, Inc.*, United States District Court for the District of Colorado, Case No. 1:13-cv-01284-CMA-MJW, filed May 31, 2013, 12 pages.

Complaint With Jury Demand, *Kärcher North America, Inc., v. Nilfisk-Advance, Inc.*, United States District Court for the District of Colorado, Case No. 1:13-cv-01284, filed May 16, 2013, 147 pages.

Declaration of Christopher R. Smith in Opposition to Kärcher North America, Inc.’s Motion for Preliminary Injunction, (dated Aug. 16, 2013), *Kärcher North America, Inc., v. Nilfisk-Advance, Inc.*, United States District Court for the District of Colorado, Case No. 1:13-cv-01284-CMA-MJW, filed Aug. 16, 2013, 148 pages.

Declaration of Christopher R. Smith in Opposition to Kärcher North America, Inc.’s Second Motion for Preliminary Injunction, (dated Nov. 4, 2013), *Kärcher North America, Inc., v. Nilfisk-Advance, Inc.*, United States District Court for the District of Colorado, Case No. 1:13-cv-01284-CMA-MJW, filed Nov. 4, 2013, 374 pages.

Declaration of Christopher R. Smith in Support of Nilfisk-Advance’s Motion to Stay Litigation Pending Patent Reexaminations, (dated Oct. 22, 2013), *Kärcher North America, Inc., v.*

(56)

**References Cited**

## OTHER PUBLICATIONS

*Nilfisk-Advance, Inc.*, United States District Court for the District of Colorado, Case No. 1:13-cv-01284-CMA-MJW, filed Oct. 22, 2013, 333 pages.

Declaration of Craig W. Mueller in Support of Kärcher North America, Inc.'s Motion for Preliminary Injunction, (dated Sep. 3, 2013), *Kärcher North America, Inc., v. Nilfisk-Advance, Inc.*, United States District Court for the District of Colorado, Case No. 1:13-cv-01284-CMA-MJW, filed Sep. 3, 2013, 193 pages.

Declaration of David B. Kellis in Support of Kärcher North America, Inc.'s Motion for Preliminary Injunction, (dated Jul. 26, 2013), *Kärcher North America, Inc., v. Nilfisk-Advance, Inc.*, United States District Court for the District of Colorado, Case No. 1:13-cv-01284-CMA-MJW, filed Jul. 26, 2013, 107 pages.

Declaration of David B. Kellis in Support of Kärcher North America, Inc.'s Opposition to Stay Pending Patent Reexaminations and Reply in Further Support of Second Motion for Preliminary Injunction, *Kärcher North America, Inc., v. Nilfisk-Advance, Inc.*, United States District Court for the District of Colorado, Case No. 1:13-cv-01284-CMA-MJW, filed Nov. 21, 2013, 12 pages.

Declaration of David Wood in Opposition to Kärcher North America, Inc.'s Motion for Preliminary Injunction, (dated Aug. 16, 2013), *Kärcher North America, Inc., v. Nilfisk-Advance, Inc.*, United States District Court for the District of Colorado, Case No. 1:13-cv-01284-CMA-MJW, filed Aug. 16, 2013, 94 pages.

Declaration of David Wood in Opposition to Kärcher North America, Inc.'s Second Motion for Preliminary Injunction, (dated Nov. 4, 2013), *Kärcher North America, Inc., v. Nilfisk-Advance, Inc.*, United States District Court for the District of Colorado, Case No. 1:13-cv-01284-CMA-MJW, filed Nov. 4, 2013, 70 pages.

Declaration of David Wood in Support of Nilfisk-Advance, Inc.'s Motion for a Stay, (dated Dec. 9, 2013), *Kärcher North America, Inc., v. Nilfisk-Advance, Inc.*, United States District Court for the District of Colorado, Case No. 1:13-cv-01284-CMA-MJW, filed Dec. 9, 2013, 45 pages.

Declaration of Elliot Younessian in Support of Kärcher North America, Inc.'s Motion for Preliminary Injunction, (dated Jul. 17, 2013), *Kärcher North America, Inc., v. Nilfisk-Advance, Inc.*, United States District Court for the District of Colorado, Case No. 1:13-cv-01284-CMA-MJW, filed Jul. 26, 2013, 147 pages.

Declaration of Gary Ellertson, (dated Nov. 19, 2013), *Kärcher North America, Inc., v. Nilfisk-Advance, Inc.*, United States District Court for the District of Colorado, Case No. 1:13-cv-01284-CMA-MJW, filed Nov. 21, 2013, 3 pages.

Declaration of Tyler L. Nasiedlak in Opposition to Kärcher North America, Inc.'s Motion for Preliminary Injunction, (dated Aug. 16, 2013), *Kärcher North America, Inc., v. Nilfisk-Advance, Inc.*, United States District Court for the District of Colorado, Case No. 1:13-cv-01284-CMA-MJW, filed Aug. 16, 2013, 517 pages.

Declaration of Tyler L. Nasiedlak in Opposition to Kärcher North America, Inc.'s Second Motion for Preliminary Injunction, (dated Nov. 4, 2013), *Kärcher North America, Inc., v. Nilfisk-Advance, Inc.*, United States District Court for the District of Colorado, Case No. 1:13-cv-01284-CMA-MJW, filed Nov. 4, 2013, 232 pages.

Declaration of Wade Reitmeier in Support of Defendant Nilfisk-Advance, Inc.'s Response to Motion for Preliminary Injunction, (dated Aug. 16, 2013), *Kärcher North America, Inc., v. Nilfisk-Advance, Inc.*, United States District Court for the District of Colorado, Case No. 1:13-cv-01284-CMA-MJW, filed Aug. 16, 2013, 23 pages.

Defendant Nilfisk-Advance, Inc.'s Motion to Stay Litigation Pending Patent Reexaminations and Memorandum in Support, *Kärcher North America, Inc., v. Nilfisk-Advance, Inc.*, United States District Court for the District of Colorado, Case No. 1:13-cv-01284-CMA-MJW, filed Oct. 22, 2013, 15 pages.

Defendants Invalidity Contentions, *Kärcher North America, Inc., v. Nilfisk-Advance, Inc.*, United States District Court for the District of Colorado, Case No. 1:13-cv-01284-CMA-MJW, dated Dec. 2, 2013, 481 pages.

Defendants Reply Brief in Support of Its Motion to Stay Litigation Pending Patent Reexaminations, *Kärcher North America, Inc., v. Nilfisk-Advance, Inc.*, United States District Court for the District of Colorado, Case No. 1:13-cv-01284-CMA-MJW, filed Dec. 9, 2013, 11 pages.

Exhibit A of Notice of Defendant Nilfisk-Advance, Inc.'s Compliance With D.C.Colo.LPtR 8 and 9 and Invalidity Contentions, (dated Mar. 27, 2015), *Kärcher North America, Inc., v. Nilfisk-Advance, Inc.*, United States District Court for the District of Colorado, Case No. 1:13-cv-01284-CMA-MJW, 120 pages.

Exhibit B of Notice of Defendant Nilfisk-Advance, Inc.'s Compliance With D.C.Colo.LPtR 8 and 9 and Invalidity Contentions, (dated Mar. 27, 2015), *Kärcher North America, Inc., v. Nilfisk-Advance, Inc.*, United States District Court for the District of Colorado, Case No. 1:13-cv-01284-CMA-MJW, 73 pages.

Exhibit C of Notice of Defendant Nilfisk-Advance, Inc.'s Compliance With D.C.Colo.LPtR 8 and 9 and Invalidity Contentions, (dated Mar. 27, 2015), *Kärcher North America, Inc., v. Nilfisk-Advance, Inc.*, United States District Court for the District of Colorado, Case No. 1:13-cv-01284-CMA-MJW, 11 pages.

Fantomat Sale Sheet, Buzili-Werk Wagner GmbH & Co., date unknown.

First Amended Complaint With Jury Demand, *Kärcher North America, Inc., v. Nilfisk-Advance, Inc.*, United States District Court for the District of Colorado, Case No. 1:13-cv-01284-CMA-MJW, filed Sep. 25, 2013, 151 pages.

Galopio Cleaning Device, www.schmidt-holding.com, accessed Feb. 23, 2005, 4 pages.

Galopio Operating Instructions, Schmidt Winterdienst-Und Kommunaltechnik, Jan. 17, 2005, Issue 5, pp. 1-84.

Hefter Cleantech, Convert 82, May 19, 2006, 3 pages, accessed Jun. 1, 2007.

Kärcher, MC600 Multicleaner Brochure, date unknown, 2 pages.

Kärcher, MC600 Multicleaner Brochure, date unknown, 4 pages.

Kärcher, Multicleaner MC 600, Mar. 1990, 7 pages.

Kärcher, Multicleaner MC600 Manual, date unknown, 44 pages.

Kärcher, NT301 Brochure, date unknown, 2 pages.

Kärcher, Worldwide Cleaning Expertise Programme 91/92, published more than one year prior to the filing date of U.S. Pat. No. 6,425,958, which was filed Feb. 2001, 50 pages.

Madvac PS300 Brochure, Feb. 2004, 4 pages.

Moravec, "Caution! Robot Vehicle!," Carnegie Mellon University, 1991, 15 pages.

Nilfisk-Advance Product Catalog, 2004, 6 pages in multiple parts.

Nilfisk-Advance, Inc.'s Memorandum in Opposition to Kärcher North America, Inc.'s Motion for Preliminary Injunction, *Kärcher North America, Inc., v. Nilfisk-Advance, Inc.*, United States District Court for the District of Colorado, Case No. 1:13-cv-01284-CMA-MJW, filed Aug. 16, 2013, 16 pages.

Nilfisk-Advance, Inc.'s Memorandum in Opposition to Kärcher North America, Inc.'s Second Motion for Preliminary Injunction, *Kärcher North America, Inc., v. Nilfisk-Advance, Inc.*, United States District Court for the District of Colorado, Case No. 1:13-cv-01284-CMA-MJW, filed Nov. 4, 2013, 17 pages.

Nobles Typhoon 161OP/1612 Wet/Dry Vacuum Operator and Parts Manual, Jan. 2000, 22 pages Kaivac, Inc.

Notice of Defendant Nilfisk-Advance, Inc.'s Compliance With D.C.Colo.LPtR 8 and 9 and Invalidity Contentions, (dated Mar. 27, 2015), *Kärcher North America, Inc., v. Nilfisk-Advance, Inc.*, United States District Court for the District of Colorado, Case No. 1:13-cv-01284-CMA-MJW, 2 pages.

No-Touch Cleaning Brochure, Kaivac, Inc., dated 2003, 8 pages.

November 15, 2013 Declaration of Elliot Younessian, *Kärcher North America, Inc., v. Nilfisk-Advance, Inc.*, United States District Court for the District of Colorado, Case No. 1:13-cv-01284-CMA-MJW, filed Nov. 21, 2013, 13 pages.

November 21, 2013 Declaration of Craig W. Mueller, *Kärcher North America, Inc., v. Nilfisk-Advance, Inc.*, United States District Court for the District of Colorado, Case No. 1:13-cv-01284-CMA-MJW, filed Nov. 21, 2013, 102 pages.

(56)

## References Cited

## OTHER PUBLICATIONS

November 21, 2013 Declaration of Jeffrey J. Rogers, *Kärcher North America, Inc., v. Nilfisk-Advance, Inc.*, United States District Court for the District of Colorado, Case No. 1:13-cv-01284-CMA-MJW, filed Nov. 21, 2013, 117 pages.

October 2, 2013 Declaration of Elliot Younessian in Support of Kärcher North America, Inc.'s Second Motion for Preliminary Injunction, *Kärcher North America, Inc., v. Nilfisk-Advance, Inc.*, United States District Court for the District of Colorado, Case No. 1:13-cv-01284-CMA-MJW, filed Oct 9, 2013, 61 pages.

O'Rourke et al., "Future Spies Could Be Tireless, Fearless and Drink Diesel," *Howard County Sun*, Jan. 20, 1991, p. 1B.

Photo and information related to Galopio device sold on Mascus website, available at [http://www.mascus.com/product\\_card.asp?br=Broddway&catn=Groundscare&page=1&location=EN&pr...](http://www.mascus.com/product_card.asp?br=Broddway&catn=Groundscare&page=1&location=EN&pr...), indicates that device was registered in 2000, printed on Jan. 29, 2007, p. 1.

Photo of Galopio device, available at <http://www.bassewitz.de/fahrzeuge/schmidt.htm>, as early as Jan. 26, 2002, printed on Jan. 29, 2007, pp. 1-2.

Photos of Galopio Sweeping Machine, identified as being manufactured in 1999, (provided by 3rd Party Requestor in U.S. Patent Reexamination Control Nos. 90/013,026 and 90/013,028), 7 pages. Plaintiff Kärcher North America, Inc.'s Motion for Preliminary Injunction and Memorandum in Support Thereof, *Kärcher North America, Inc., v. Nilfisk-Advance, Inc.*, United States District Court for the District of Colorado, Case No. 1:13-cv-01284-CMA-MJW, filed Jul. 26, 2013, 16 pages.

Plaintiff Kärcher North America, Inc.'s Reply in Further Support of Motion for Preliminary Injunction [Doc. No. 18], *Kärcher North America, Inc., v. Nilfisk-Advance, Inc.*, United States District Court for the District of Colorado, Case No. 1:13-cv-01284-CMA-MJW, filed Sep. 3, 2013, 11 pages.

Plaintiff Kärcher North America, Inc.'s Second Motion for Preliminary Injunction and Memorandum in Support Thereof, *Kärcher North America, Inc., v. Nilfisk-Advance, Inc.*, United States District Court for the District of Colorado, Case No. 1:13-cv-01284-CMA-MJW, filed Oct. 9, 2013, 14 pages.

Print out of Kaivac No-Touch Clean System, [www.Kaivac.com](http://www.Kaivac.com), dated Jan. 23, 2003, 3 pages.

Print out of Nilfisk Aquatron 8 machine, [www.mn.nilfisk-advance.com](http://www.mn.nilfisk-advance.com), dated Jan. 30, 2003, 1 page.

Reply in Further Support of Second Motion for Preliminary Injunction, *Kärcher North America, Inc., v. Nilfisk-Advance, Inc.*, United States District Court for the District of Colorado, Case No. 1:13-cv-01284-CAM-MJW, filed Nov. 21, 2013, 11 pages.

Second Amended Answer and Counterclaims of Defendant Nilfisk-Advance, Inc., *Kärcher North America, Inc., v. Nilfisk-Advance, Inc.*, United States District Court for the District of Colorado, Case No. 1:13-cv-01284-CMA-MJW, filed Oct. 9, 2013, 13 pages.

Second Declaration of Christopher R. Smith in Support of Nilfisk-Advance's Motion to Stay Litigation Pending Patent Reexaminations, (dated Dec. 9, 2013), *Kärcher North America, Inc., v. Nilfisk-Advance, Inc.*, United States District Court for the District of Colorado, Case No. 1:13-cv-01284-CMA-MJW, filed Dec. 9, 2013, 41 pages.

September 3, 2013 Declaration of Elliot Younessian in Further Support of Motion for Preliminary Injunction, *Kärcher North America, Inc., v. Nilfisk-Advance, Inc.*, United States District Court for the District of Colorado, Case No. 1:13-cv-01284-CMA-MJW, filed Sep. 3, 2013, 235 pages.

Service Master, Boss 2000B Manual, Oct. 1995, 42 pages.

Service Master, Boss 2000E Manual, Aug. 1997, 32 pages.

Service Master, Boss 2000LE Manual, Mar. 1998, 30 pages.

Street Cleaning device shown on [www.onyx-environment.com](http://www.onyx-environment.com), accessed May 7, 2004, 1 page.

Tennant Model 1465 and 1480 Manual, 1988, pp. 3-18 and 6-34.

Warning: Your Competitor has a KaiVac, Sep. 1998, 10 pages.

Alves-Oliveira et al. "Meet Me Halfway: Eye Behaviour as an Expression of Robot's Language," *AAAI Fall Symposium Series*, 2014, pp. 13-15.

Baraka et al. "Expressive Lights for Revealing Mobile Service Robot State," *Proc. Of AAAI 2015 Fall Symposium on AI-HRI*, 2015, pp. 17-23.

Baraka "Effective Non-Verbal Communication for Mobile Robots using Expressive Lights," *The Robotics Institute Carnegie Mellon University, Pittsburgh, Pennsylvania, Master's Thesis*, May 2016, 82 pages.

Benayad-Cherif et al., "Mobile Robot Navigation Sensors," Submitted to the Conference Mobile Robots VII at OE/Technology, 1992, abstract only, 1 page.

Bethel "Robots without faces: Non-verbal social human-robot interaction," *University of South Florida, Graduate Theses and Dissertations*, 2009, 183 pages. [found online at: [scholarcommons.usf.edu/etd/1855/](http://scholarcommons.usf.edu/etd/1855/)].

Bright "Emergency Vehicle LED Lighting: Friend of Foe?" *American Public University, Master's Capstone Thesis*, Aug. 2014, 76 pages.

Cominelli et al. "SEAI: Social Emotional Artificial Intelligence Based on Damasio's Theory of Mind," *Frontiers in Robotics and AI*, Feb. 2018, vol. 5, Article 6, 20 pages.

Costa et al. "Emotional Storytelling using Virtual and Robotic Agents," *International Journal of Humanoid Robotics*, Mar. 2018, vol. 15, No. 3, 1850006, 14 pages.

Cuculo et al. "The color of smiling: computational synaesthesia of facial expressions," *Image Analysis and Processing, ICIAP 2015*, 2015, pp. 203-214.

De Lorenzo et al. "Lights and Siren: A Review of Emergency Vehicle Warning Systems," *Annals of Emergency Medicine*, Dec. 1991, vol. 20, No. 12, pp. 1331-1335.

Feldmaier et al. "Evaluation of a RGB-LED-based Emotion Display for Affective Agents," *arXiv*, Dec. 2016, 6 pages.

Kupas "Lights and Siren Use by Emergency Medical Services (EMS): Above All Do No Harm," *U.S. Department of Transportation National Highway Traffic Safety Administration Office of Emergency Medical Services (EMS)*, May 2017, 98 pages.

National Association of Emergency Medical Services Physicians (NAEMSP) et al. "Use of Warning Lights and Siren in Emergency Medical Vehicle Response and Patient Transport," *Prehospital and Disaster Medicine*, Apr.-Jun. 1994, 10 pages.

Senart et al. "Modelling an Emergency Vehicle Early-Warning System using Real-time Feedback," *International Journal of Intelligent Information and Database Systems*, 2008, vol. 2, No. 2, pp. 222-239.

Sert, "Robot Engine: Rapid Product Development Path," Submitted to the Conference Mobile Robots VII at OE/Technology, 1992, abstract only, 1 page.

Song et al. "Expressing Emotions through Color, Sound, and Vibration with an Appearance-Constrained Social Robot," *The 2017 Conference on Human-Robot Interaction (HRI2017)*, Mar. 2017, Vienna, Austria, 10 pages.

Thomaz et al. *Computational Human-Robot Interaction, Foundations and Trends in Robotics*, 2013, vol. 4, No. 2-3, pp. 105-223.

Veloso et al. "CoBots: Robust Symbiotic Autonomous Mobile Service Robots," *Proceedings of the Twenty-Fourth International Joint Conference on Artificial Intelligence (IJCAI 2015)*, 2015, pp. 4423-4429.

Veloso et al. "Transparency in Robot Autonomy," *Future of Life Institute*, Jan. 2017, 32 pages.

U.S. Appl. No. 11/059,663, filed Feb. 15, 2005 now U.S. Pat. No. 7,533,435.

U.S. Appl. No. 90/013,028, filed Oct. 15, 2013 now U.S. Pat. No. 7,533,435.

U.S. Appl. No. 11/253,100, filed Oct. 17, 2005.

U.S. Appl. No. 11/352,191, filed Feb. 9, 2006.

U.S. Appl. No. 11/351,653, filed Feb. 9, 2006.

U.S. Appl. No. 11/868,353, filed Oct. 5, 2007 now U.S. Appl. No. 8,245,345.

U.S. Appl. No. 13/888,140, filed May 6, 2013 now U.S. Pat. No. 8,528,142.

(56)

**References Cited**

OTHER PUBLICATIONS

U.S. Appl. No. 90/013,026, filed Oct. 15, 2013 now U.S. Pat. No. 8,528,142.

U.S. Appl. No. 13/964,046, filed Aug. 10, 2013 now U.S. Pat. No. 9,015,887.

U.S. Appl. No. 14/643,768, filed Mar. 10, 2015 now U.S. Pat. No. 9,451,861.

U.S. Appl. No. 15/245,488, filed Aug. 24, 2016 now U.S. Pat. No. 9,757,005.

U.S. Appl. No. 15/248,560, filed Aug. 26, 2016 now U.S. Pat. No. 9,730,566.

U.S. Appl. No. 15/676,745, filed Aug. 14, 2017.

U.S. Appl. No. 15/840,459, filed Dec. 13, 2017.

U.S. Appl. No. 13/554,593, filed Jul. 20, 2012 now U.S. Pat. No. 8,438,685.

U.S. Appl. No. 16/784,137, filed Feb. 6, 2020, Pedlar et al.

\* cited by examiner



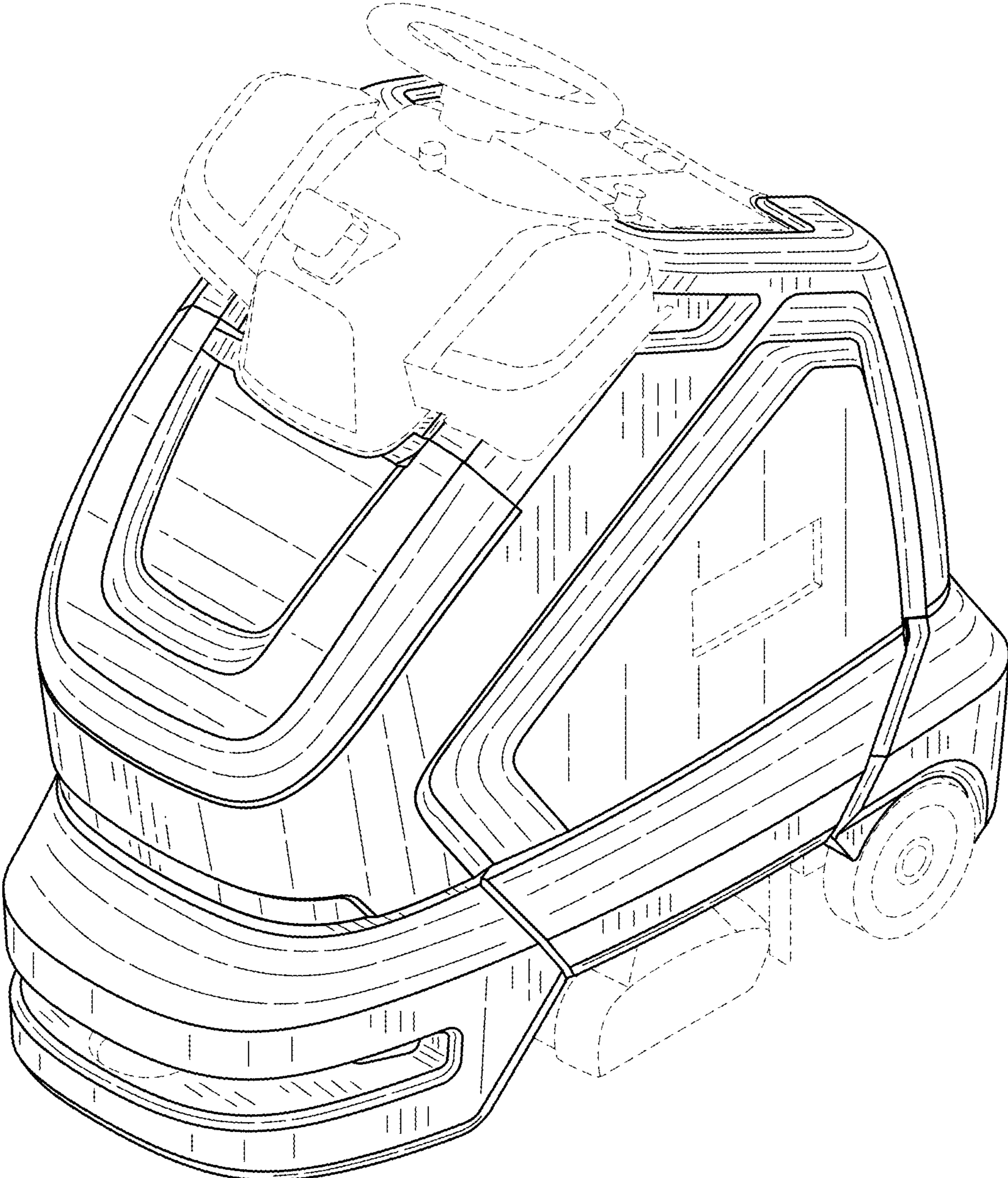


FIG.1

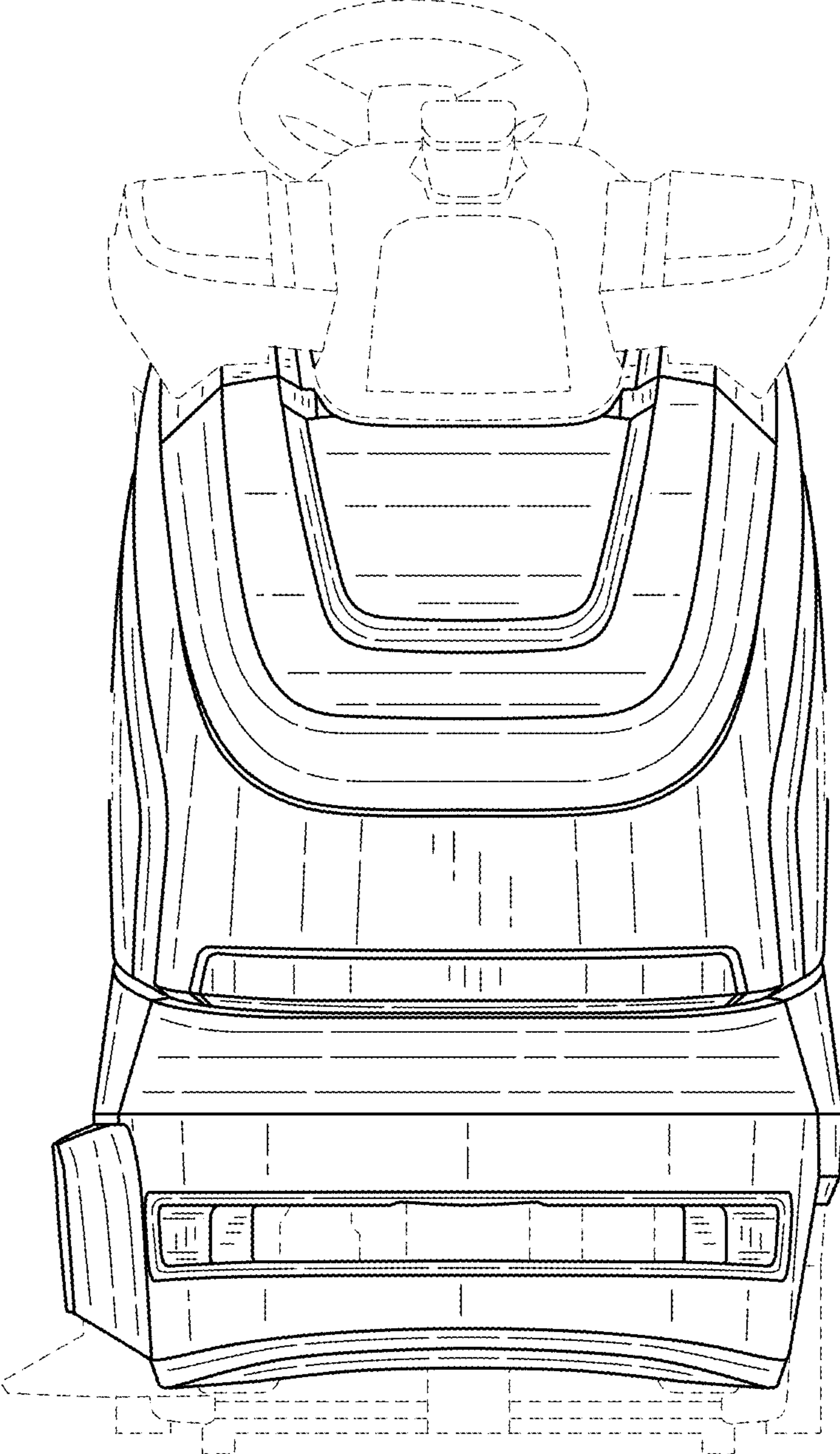


FIG.2

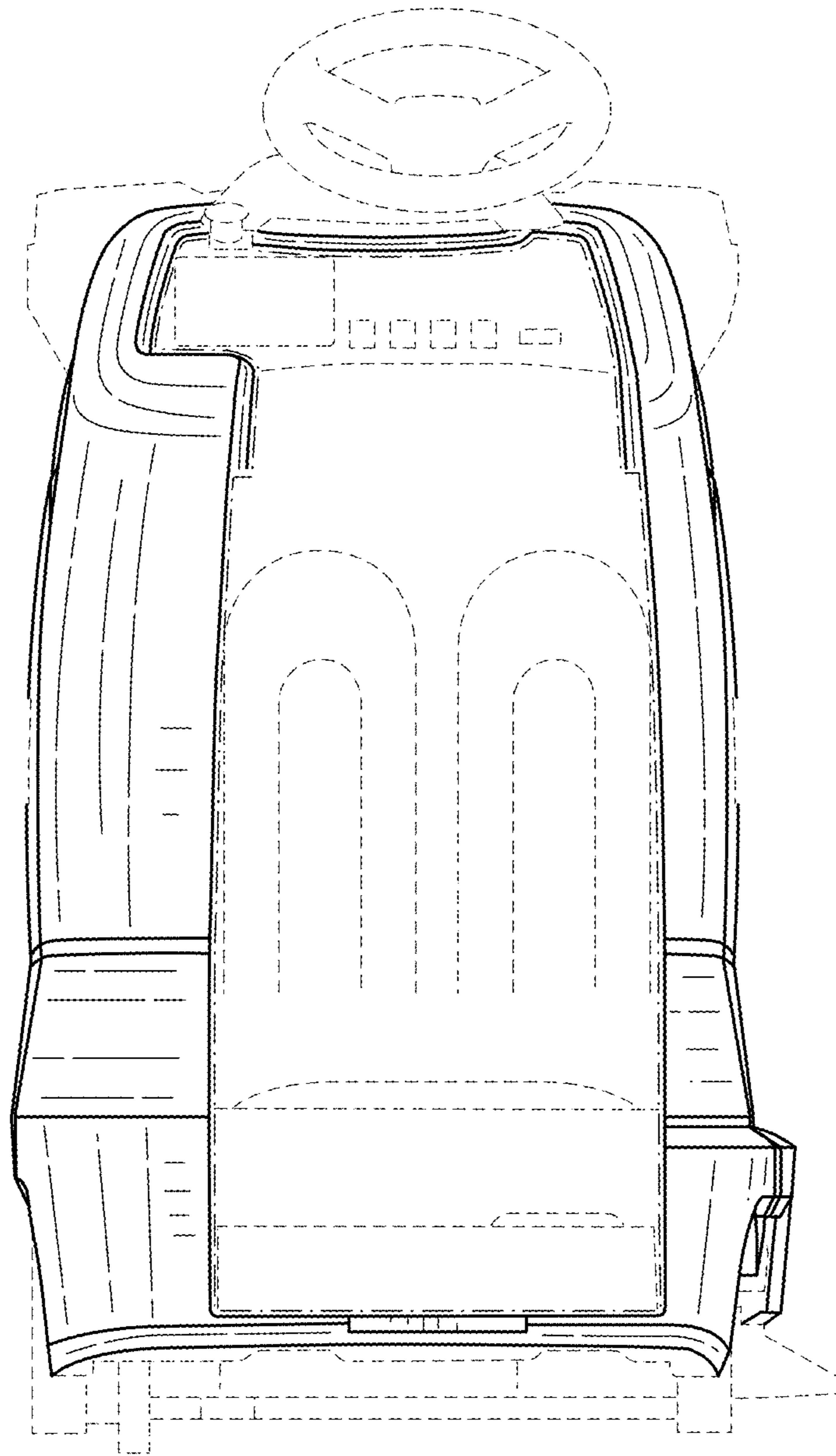


FIG.3

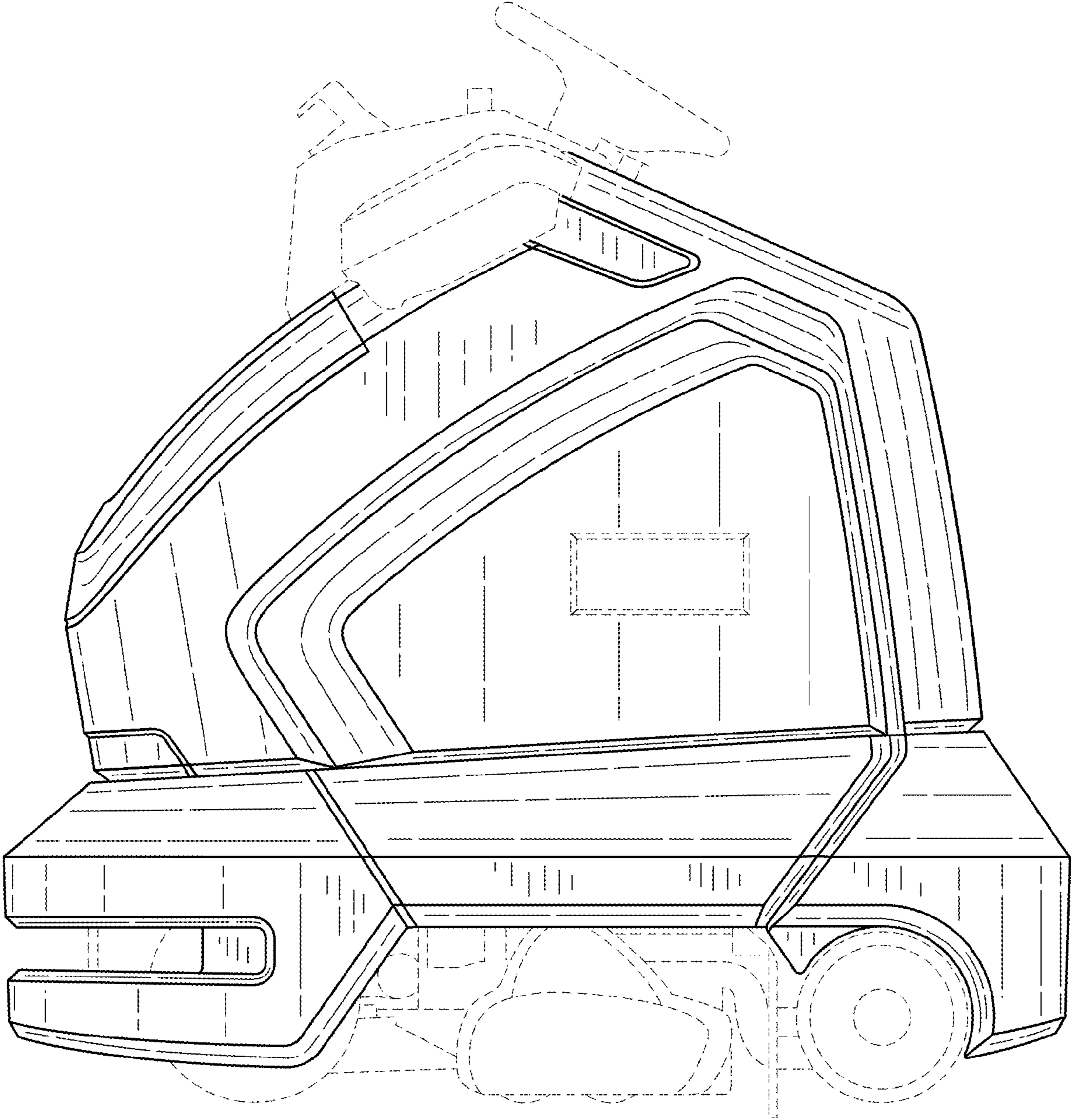


FIG.4

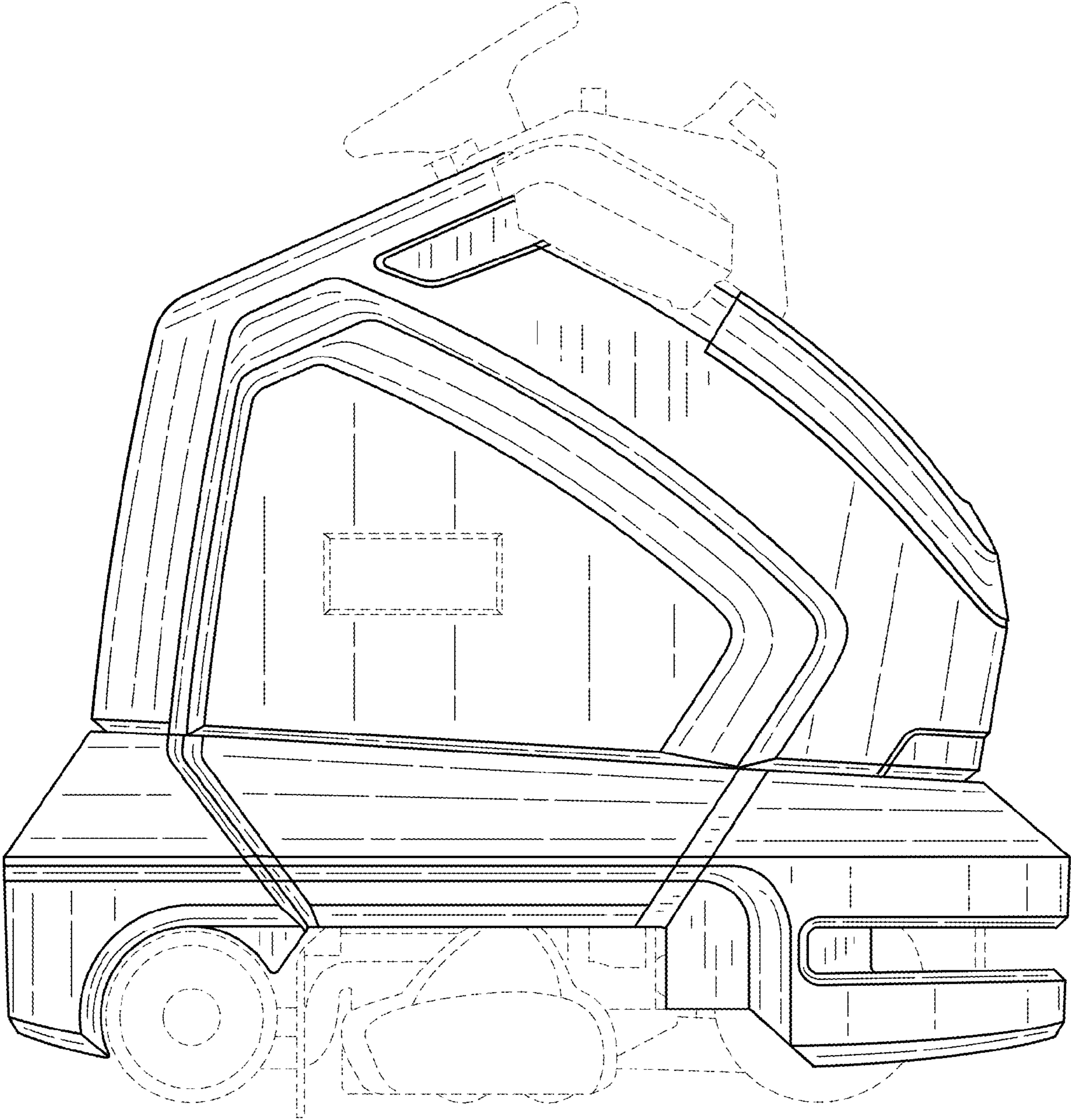


FIG.5

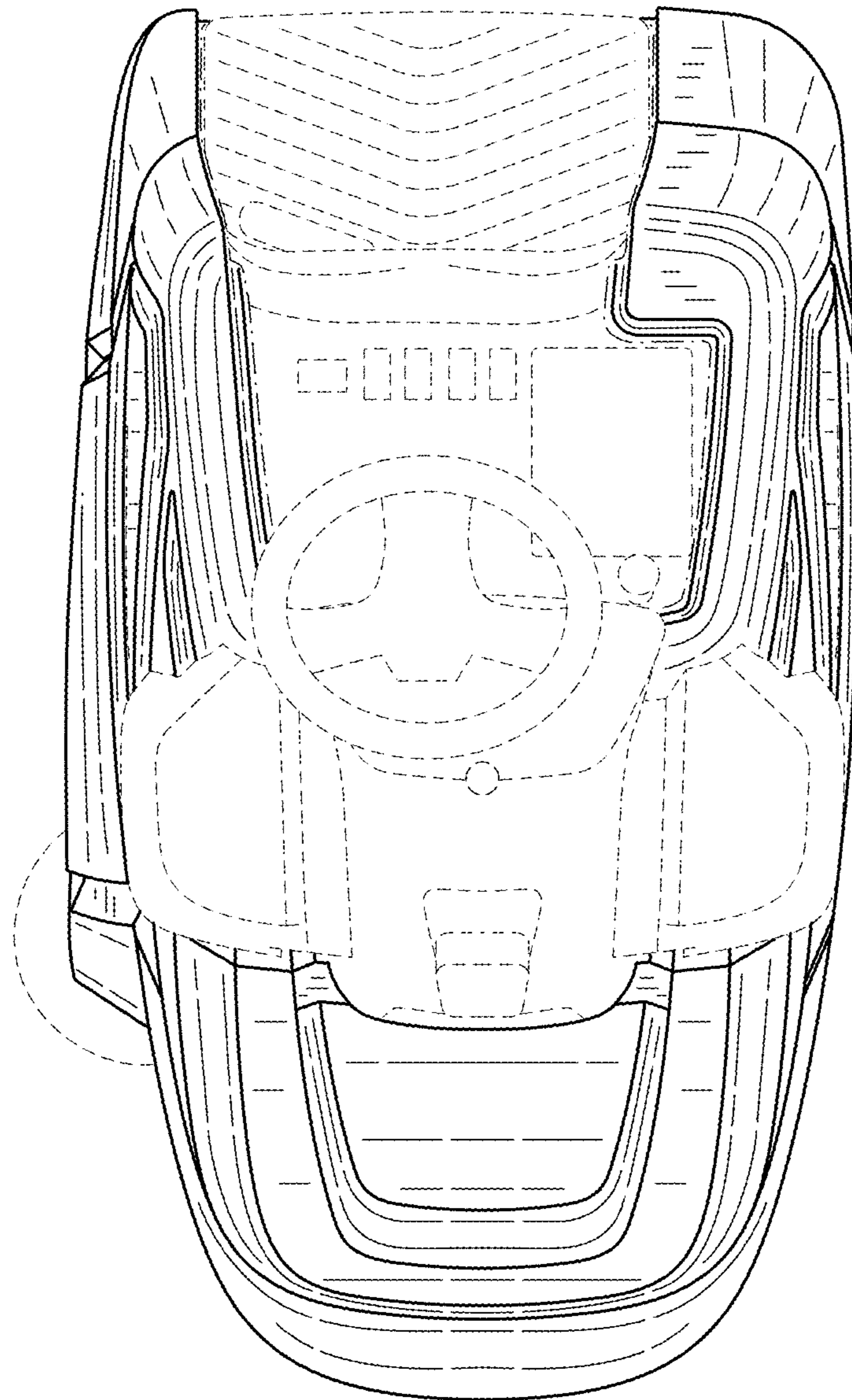


FIG.6

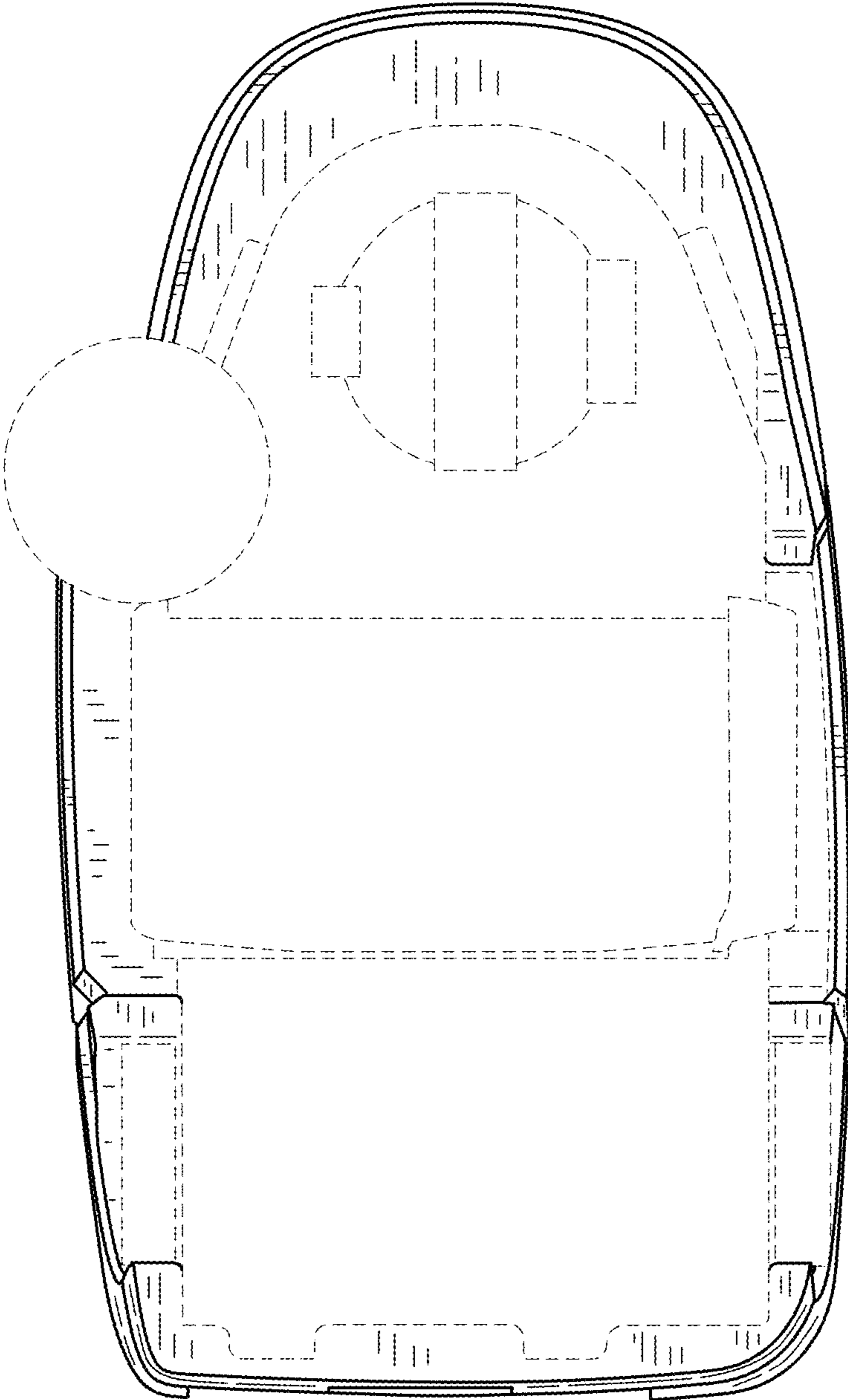


FIG.7