



US00D907867S

(12) **United States Design Patent** (10) **Patent No.:** **US D907,867 S**
Nam et al. (45) **Date of Patent:** **** Jan. 12, 2021**

(54) **DISHWASHER**

(71) Applicant: **LG ELECTRONICS INC.**, Seoul (KR)

(72) Inventors: **Bohyun Nam**, Seoul (KR); **Kyutae Park**, Seoul (KR); **Wonjun Lee**, Seoul (KR); **Seonil Yu**, Seoul (KR); **Jungkyu Son**, Seoul (KR)

(73) Assignee: **LG ELECTRONICS INC.**, Seoul (KR)

(**) Term: **15 Years**

(21) Appl. No.: **35/507,543**

(22) Filed: **Mar. 13, 2019**

(80) **Hague Agreement Data**

Int. Filing Date: **Mar. 13, 2019**
Int. Reg. No.: **DM/203512**
Int. Reg. Date: **Mar. 13, 2019**
Int. Reg. Pub. Date: **Oct. 25, 2019**

(30) **Foreign Application Priority Data**

Sep. 17, 2018 (KR) 30-2018-0043501

(51) **LOC (13) Cl.** **15-05**

(52) **U.S. Cl.**
USPC **D32/2**

(58) **Field of Classification Search**

USPC D32/2, 3, 25, 28
CPC A47L 15/507; A47L 15/4257; A47L 15/22;
A47L 15/23; A47L 15/4221; A47L
15/4285; A47L 15/4293; A47L 15/486;
A47L 15/502; A47L 15/16; A47L
15/4219; A47L 15/4225; A47L 15/4259;
A47L 15/4261; A47L 15/4282; A47L
15/46; A47L 15/488; A47L 15/506; A47L
15/508; A47L 2401/26; A47L 2401/30;
A47L 2501/05; A47L 2501/06; A47L
2501/12; A47L 13/20; A47L 15/0018;

A47L 15/0021; A47L 15/0036; A47L
15/0044; A47L 15/0047; A47L 15/0049;
A47L 15/0052; A47L 15/0063; A47L
15/0089; A47L 15/14; A47L 15/18; A47L
15/4214; A47L 15/4234; A47L 15/4236;
A47L 15/4251; A47L 15/4253; A47L
15/4263; A47L 15/4278; A47L 15/4287;
A47L 15/4291; A47L 15/4295; A47L
15/44; A47L 15/48; A47L 15/483; A47L
15/50; A47L 15/501; A47L 15/504; A47L
15/505;

(Continued)

(56) **References Cited**

U.S. PATENT DOCUMENTS

5,115,822 A * 5/1992 Nichols A47L 15/506
134/135
5,409,309 A * 4/1995 Giddings A47L 15/507
134/201

(Continued)

Primary Examiner — Khawaja Anwar

(74) *Attorney, Agent, or Firm* — Birch, Stewart, Kolasch
& Birch, LLP

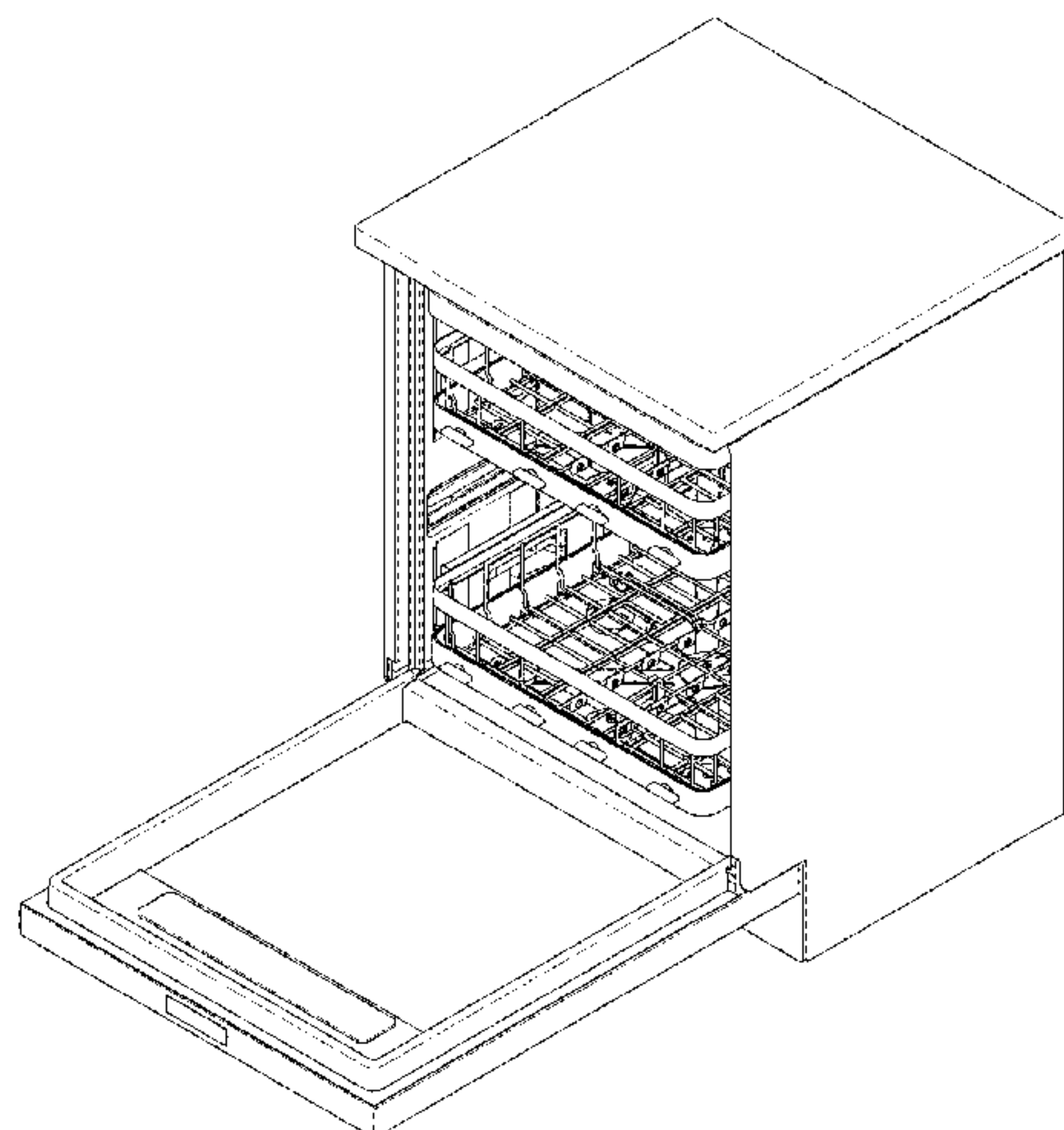
(57) **CLAIM**

The ornamental design for dishwasher, as shown and described.

DESCRIPTION

- 1. Dishwasher
- 1.1 : Perspective
- 1.2 : Front
- 1.3 : Back
- 1.4 : Left
- 1.5 : Right
- 1.6 : Top
- 1.7 : Bottom
- 1.8 : Reference
- 1.9 : Reference

(Continued)



The broken lines depict portions of the dishwasher that form no part of the claimed design.

(56)

References Cited

1 Claim, 9 Drawing Sheets

(58) **Field of Classification Search**

CPC A47L 2301/00; A47L 2401/04; A47L 2401/06; A47L 2401/09; A47L 2401/12; A47L 2401/14; A47L 2401/18; A47L 2401/19; A47L 2401/20; A47L 2401/24; A47L 2401/34; A47L 2501/01; A47L 2501/02; A47L 2501/03; A47L 2501/07; A47L 2501/10; A47L 2501/26; A47L 2501/30; A47L 2501/36; A47L 2601/06; A47L 2601/10

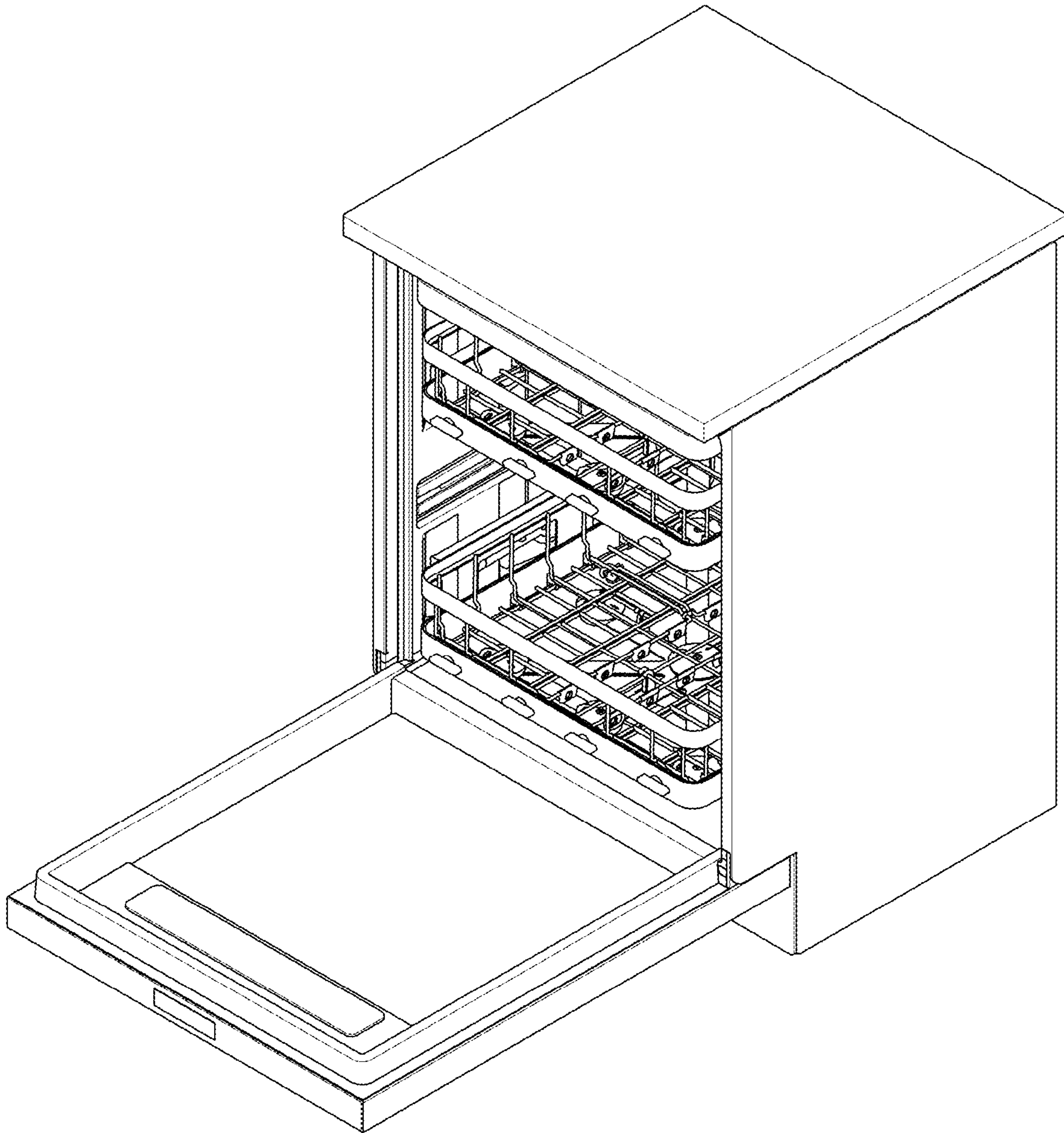
See application file for complete search history.

U.S. PATENT DOCUMENTS

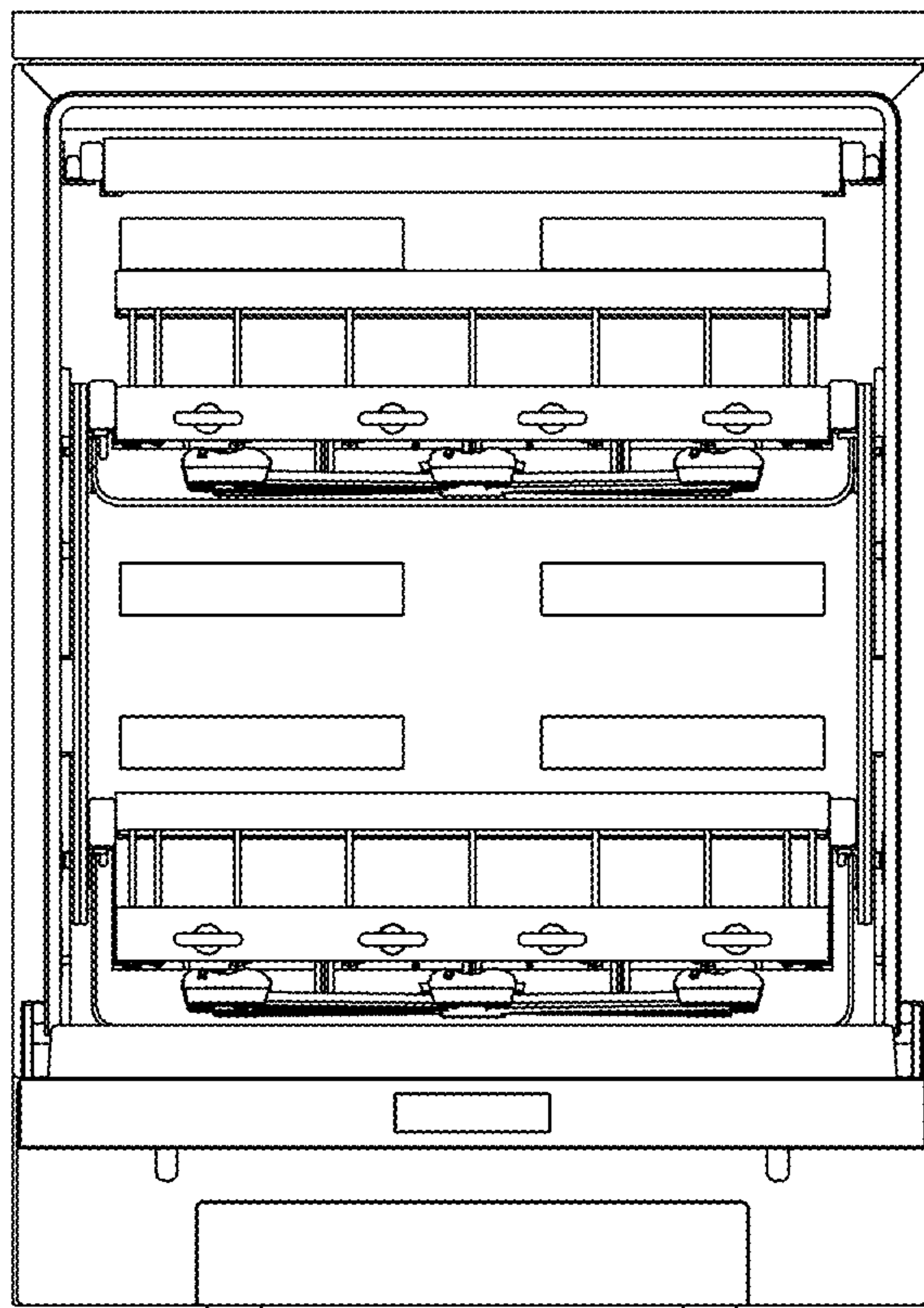
D400,320	S *	10/1998	Brace	D32/2
D412,607	S *	8/1999	Goodin	D32/3
D424,257	S *	5/2000	Umeda	D32/2
D467,691	S *	12/2002	Richardson	D32/2
6,622,740	B1 *	9/2003	Durazzani	A47L 15/0084 134/115 R
7,168,578	B2 *	1/2007	Mersch	A47L 15/504 134/56 D
8,162,419	B2 *	4/2012	Dellby	A47L 15/506 312/228.1
8,813,766	B2 *	8/2014	Bhajak	A47L 15/504 134/135
9,420,882	B2 *	8/2016	Garcia	A47B 46/005
9,895,046	B1 *	2/2018	Wilson	A47L 15/506
10,159,398	B2 *	12/2018	Wilson	A47L 15/507
10,231,599	B2 *	3/2019	Kulkarni	A47L 15/506
10,376,131	B2 *	8/2019	Gerstner	A47L 15/506

* cited by examiner

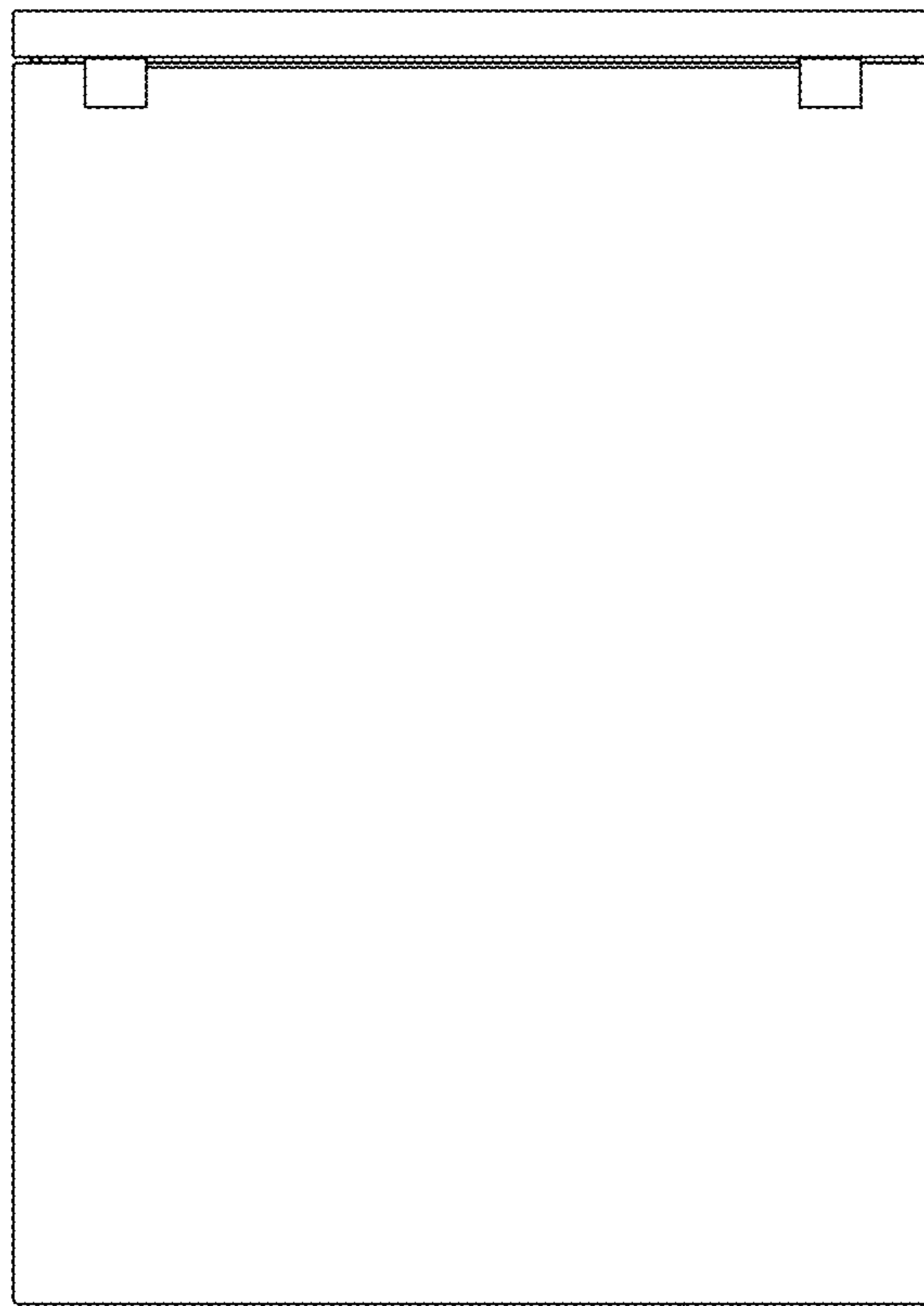
1.1



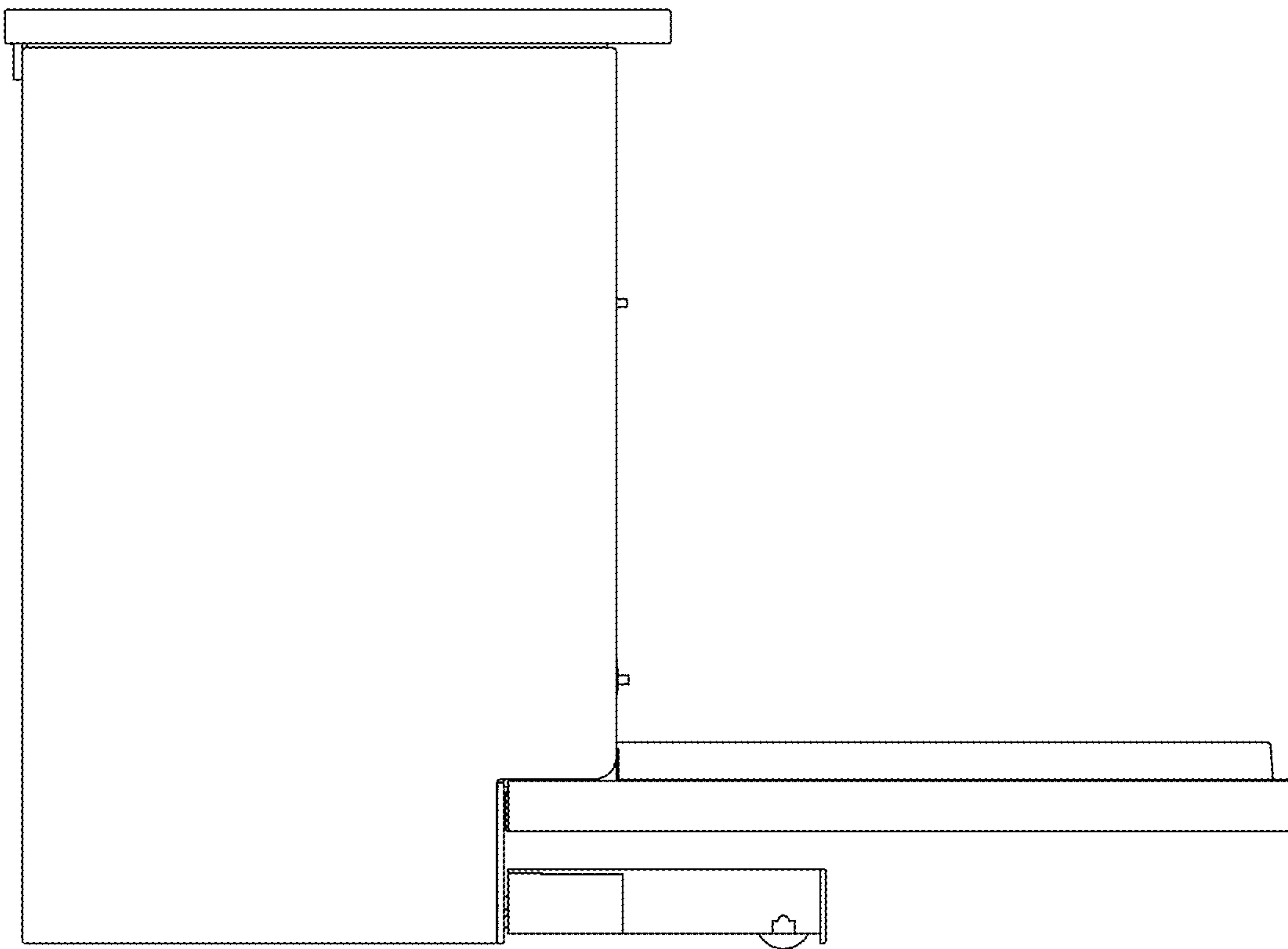
1.2



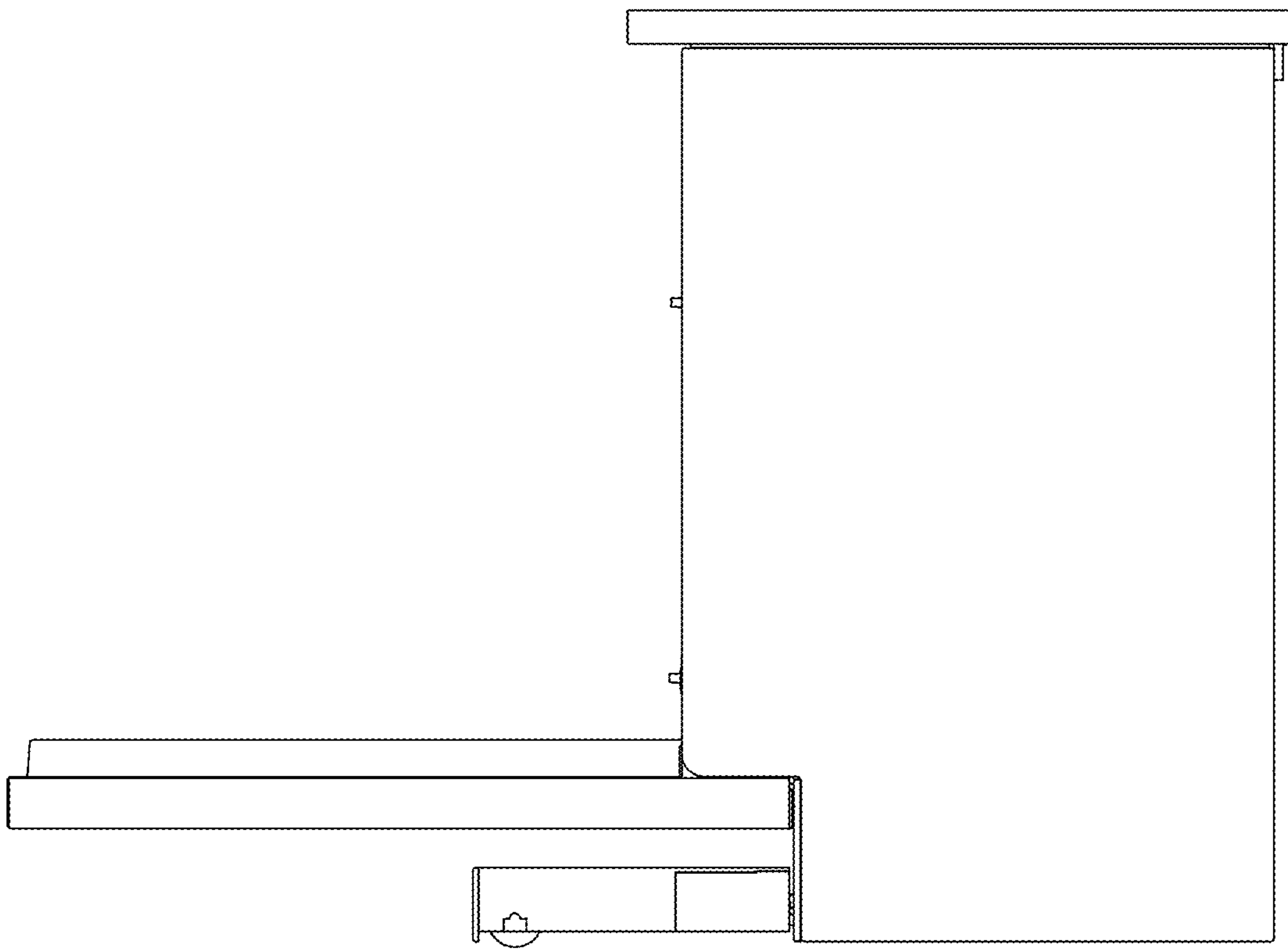
1.3



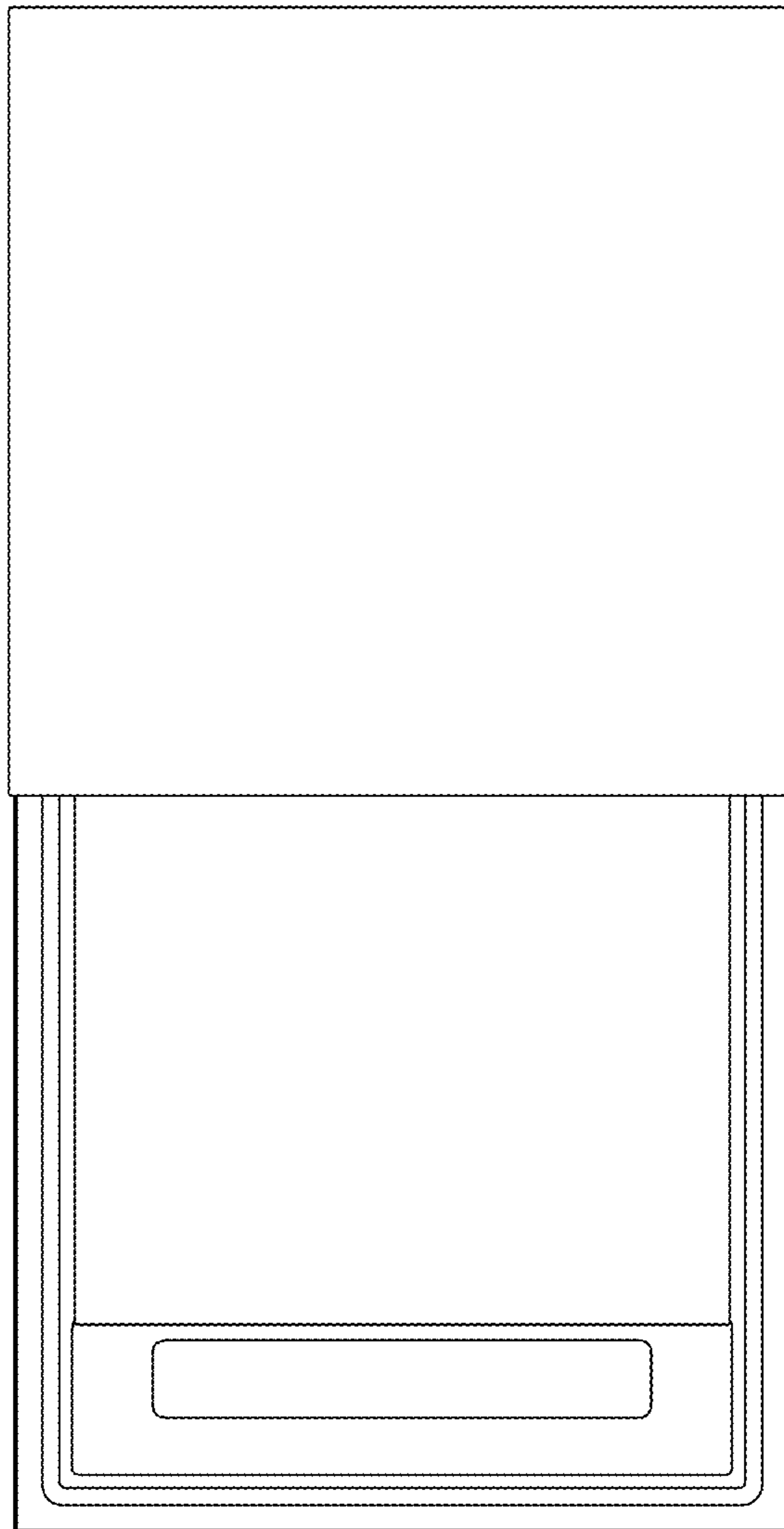
1.4



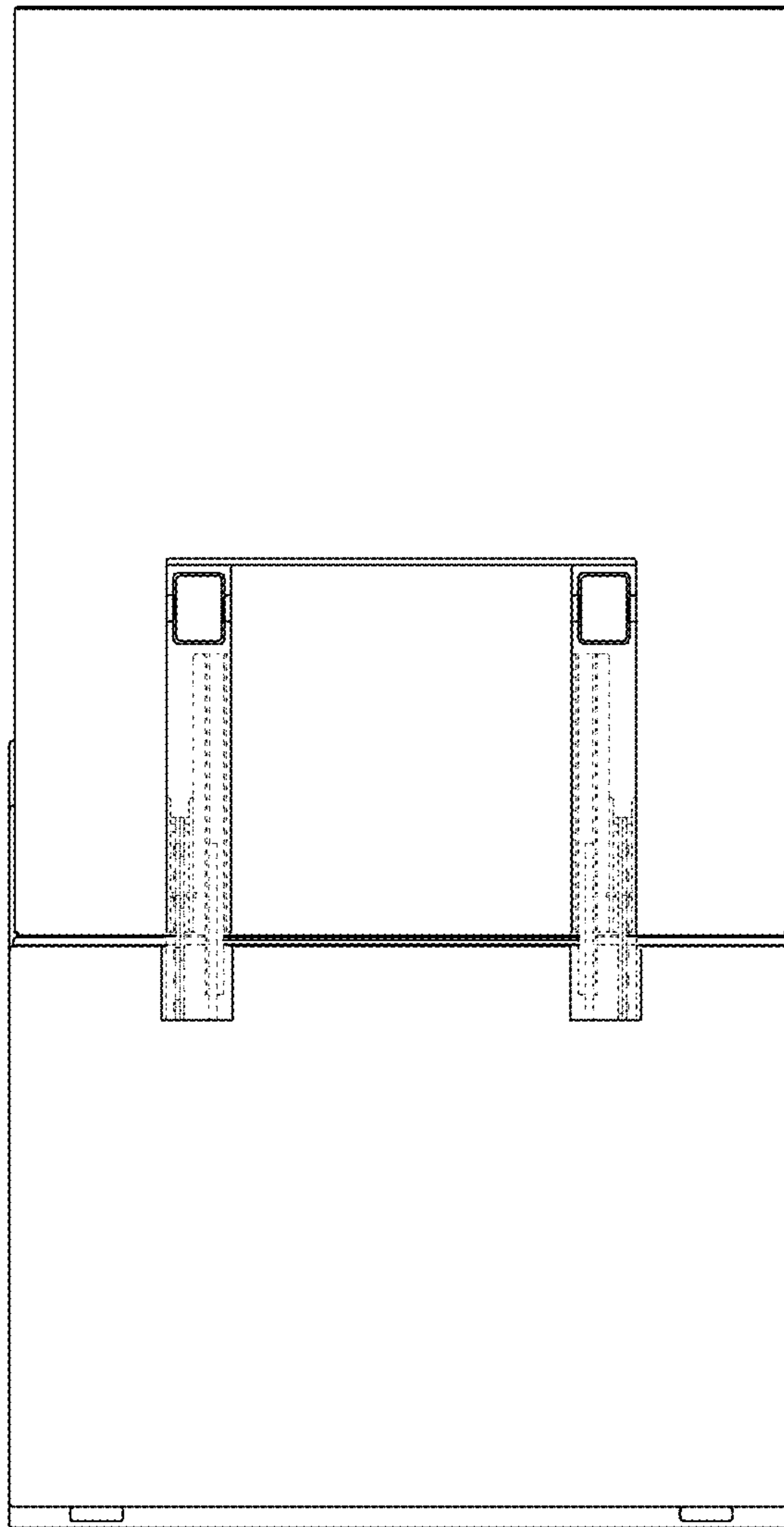
1.5



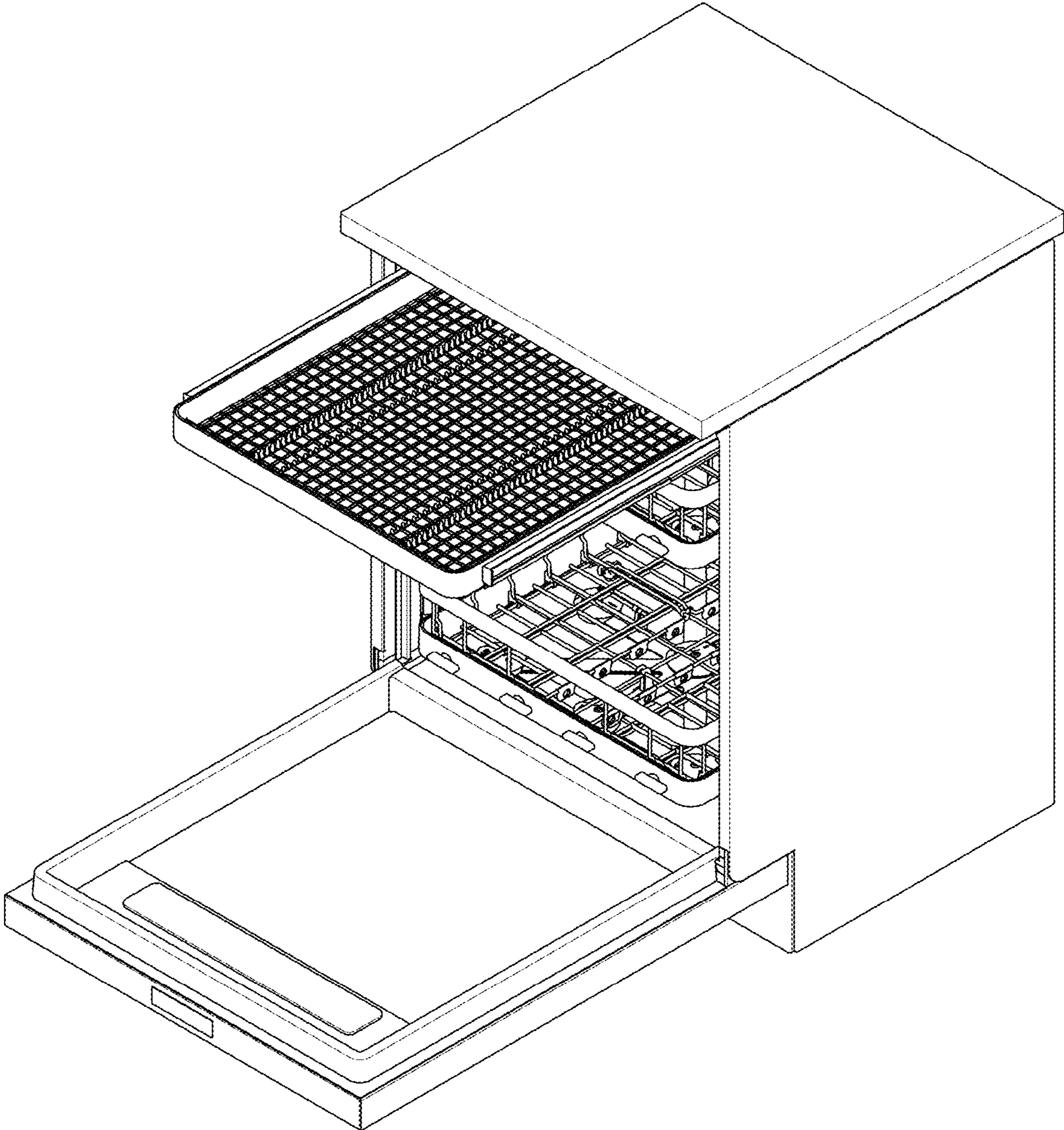
1.6



1.7



1.8



1.9

