

US00D907866S

(12) **United States Design Patent** (10) **Patent No.:** **US D907,866 S**  
**Hiramasu** (45) **Date of Patent:** **\*\* Jan. 12, 2021**

(54) **PET GATE**

(71) Applicant: **Iris Ohyama Inc.**, Sendai (JP)

(72) Inventor: **Yuta Hiramasu**, Kakuda (JP)

(73) Assignee: **Iris Ohyama Inc.**, Sendai (JP)

(\*\*) Term: **15 Years**

(21) Appl. No.: **29/689,724**

(22) Filed: **May 1, 2019**

(30) **Foreign Application Priority Data**

Nov. 15, 2018 (JP) ..... 2018-024911

(51) **LOC (13) Cl.** ..... **30-03**

(52) **U.S. Cl.**  
USPC ..... **D30/199**; D30/119; D30/108

(58) **Field of Classification Search**  
USPC ..... D30/199, 108, 119; 160/40-43, 13, 15,  
160/17, 87, 94-103, 105-107, 24, 10,  
160/296, 305, 309, 313, 301, 315, 323.1,  
160/293.1, 23.1, 317, 231.1, 290.1, 302,  
160/211, 217, 218, 225, 130, 135; 49/9,  
49/58-66, 128-130, 147; 119/416, 426,  
119/512-514, 499, 452, 474, 484, 498,  
119/502; 256/24, 1, 25, 73, 67, 26, 45,  
256/33, 5, 21, 32, 19, 65.01, 31;  
340/573.4; D25/38, 50, 45, 119, 39, 42,  
D25/43; 16/236, 239, 366; 52/646;  
292/137, 159, 175, 150, 145, 152, 302,  
292/303, DIG. 29, DIG. 38, DIG. 46  
CPC .. A01K 1/0017; A01K 1/0023; A01K 1/0029;  
A01K 1/035; A01K 3/00; E06B 9/0638;  
E06B 9/00; E06B 9/01; E06B 9/02; E06B  
9/04; E06B 9/08; E06B 9/11; E06B  
9/115; E06B 9/15; E06B 9/40; E06B  
9/0692; E06B 2009/002; E06B 2009/135  
See application file for complete search history.

(56) **References Cited**

U.S. PATENT DOCUMENTS

1,176,484 A \* 3/1916 Otis ..... E04F 13/04  
52/675  
D188,054 S \* 5/1960 Grubbs ..... D25/48.5  
4,143,857 A \* 3/1979 Weiner ..... E04H 17/003  
16/312  
D257,720 S \* 12/1980 Rockman ..... D10/113.3  
4,630,396 A \* 12/1986 Zvi ..... E05C 9/02  
292/162

(Continued)

OTHER PUBLICATIONS

Doctor's Advice Peppy, fall and winter issue, 2006, p. 55; (Japan Patent Office Design Patent Department, publicly known reference No. HC18063935).

(Continued)

*Primary Examiner* — Susan Moon Lee

(74) *Attorney, Agent, or Firm* — Studebaker & Brackett PC

(57) **CLAIM**

The ornamental design for a pet gate, as shown and described.

**DESCRIPTION**

FIG. 1 is a front, top and right-side perspective view of a pet gate showing my new design;  
FIG. 2 is a front view thereof;  
FIG. 3 is a rear view thereof;  
FIG. 4 is a top view thereof;  
FIG. 5 is a bottom view thereof;  
FIG. 6 is a right-side view thereof, with the left-side view being a mirror image thereof;

(Continued)

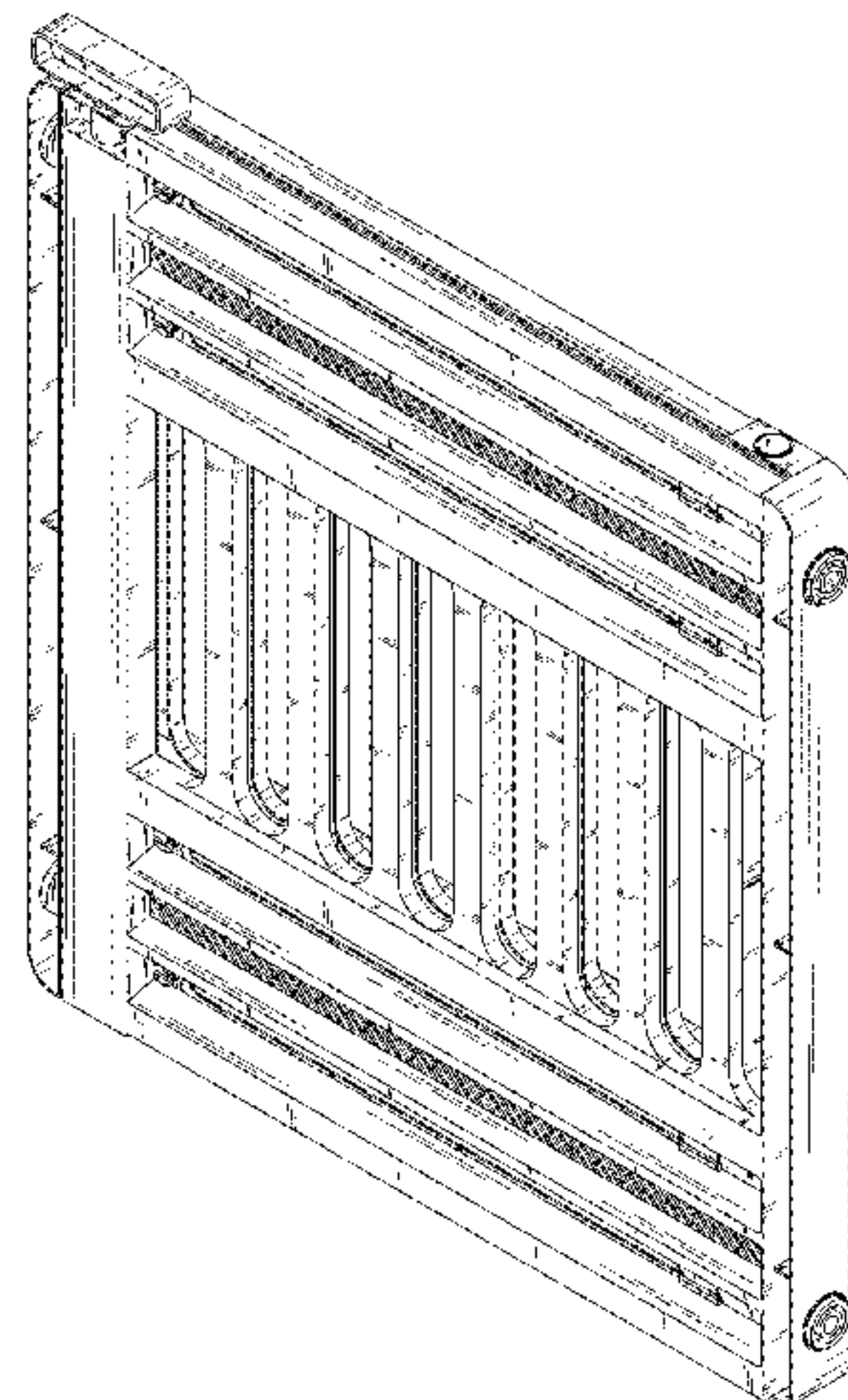


FIG. 7 is a cross-sectional view taken along line 7-7 in FIG. 2; and,  
 FIG. 8 is a cross-sectional view taken along line 8-8 in FIG. 2.

**1 Claim, 8 Drawing Sheets**

(56)

**References Cited**

U.S. PATENT DOCUMENTS

4,677,791 A \* 7/1987 Larson ..... E06B 9/02  
 160/215  
 4,702,036 A \* 10/1987 Johnson ..... E06B 9/02  
 49/394  
 D300,949 S \* 5/1989 Johnson, Jr. .... D25/48.5  
 D301,620 S \* 6/1989 Johnson, Jr. .... D25/48.5  
 D301,622 S \* 6/1989 Kujawski ..... D25/48.5  
 D351,688 S \* 10/1994 Northrop ..... D25/48.8  
 D352,573 S \* 11/1994 Sampson ..... D25/152  
 5,442,881 A \* 8/1995 Asbach ..... E05B 65/0007  
 49/13  
 D384,752 S \* 10/1997 Scherer ..... D25/48.5  
 D398,404 S \* 9/1998 Hope ..... D25/48.5  
 D401,360 S \* 11/1998 Confer ..... D25/48.5  
 5,927,011 A \* 7/1999 Sickenius ..... E06B 7/28  
 49/104  
 D422,367 S \* 4/2000 Mishina ..... D25/38.1  
 6,161,334 A \* 12/2000 Goodin ..... A01K 1/035  
 49/125  
 6,190,084 B1 \* 2/2001 Ibanez ..... E01F 13/02  
 160/351  
 D457,649 S \* 5/2002 Yang ..... D25/48.5

7,540,682 B1 \* 6/2009 Christensen ..... E01F 13/022  
 116/63 P  
 D599,488 S \* 9/2009 Christensen ..... D25/48.5  
 D601,717 S \* 10/2009 Auberger ..... D25/48.5  
 D608,019 S \* 1/2010 Arden ..... D25/48.5  
 D608,056 S \* 1/2010 Evans ..... D30/108  
 7,789,585 B2 \* 9/2010 Christensen ..... E01F 13/022  
 404/6  
 D626,660 S \* 11/2010 Bertsch ..... D25/48.5  
 D626,661 S \* 11/2010 Bertsch ..... D25/48.5  
 D656,687 S \* 3/2012 VanBuuren ..... D30/119  
 D659,261 S \* 5/2012 Thomas ..... D25/48.5  
 D665,920 S \* 8/2012 Glaser ..... D25/48.5  
 D670,792 S \* 11/2012 Gessford ..... D25/48.5  
 D692,621 S \* 10/2013 Ganahl ..... D30/119  
 D696,473 S \* 12/2013 Ganahl ..... D30/119  
 D714,960 S \* 10/2014 Weisbeck ..... D25/48.5  
 9,260,829 B1 \* 2/2016 Maus ..... E01F 13/022  
 D758,611 S \* 6/2016 Knudsen ..... D25/38.1  
 D778,510 S \* 2/2017 Edmonds ..... D30/119  
 9,624,630 B1 \* 4/2017 Maus ..... E04H 17/16  
 D787,708 S \* 5/2017 Cha ..... D25/48.5  
 D828,930 S \* 9/2018 Tamillow ..... D25/48.5  
 2006/0076545 A1 \* 4/2006 Reynders ..... E04F 11/1851  
 256/59  
 2019/0106934 A1 \* 4/2019 Fusco ..... E06B 9/04

OTHER PUBLICATIONS

A Notice of Allowance mailed by the Japanese Patent Office dated Jun. 5, 2019, which corresponds to Japanese Design Application No. 2018-024911 and is related to Design U.S. Appl. No. 29/689,724; with partial English translation.

\* cited by examiner



FIG. 1

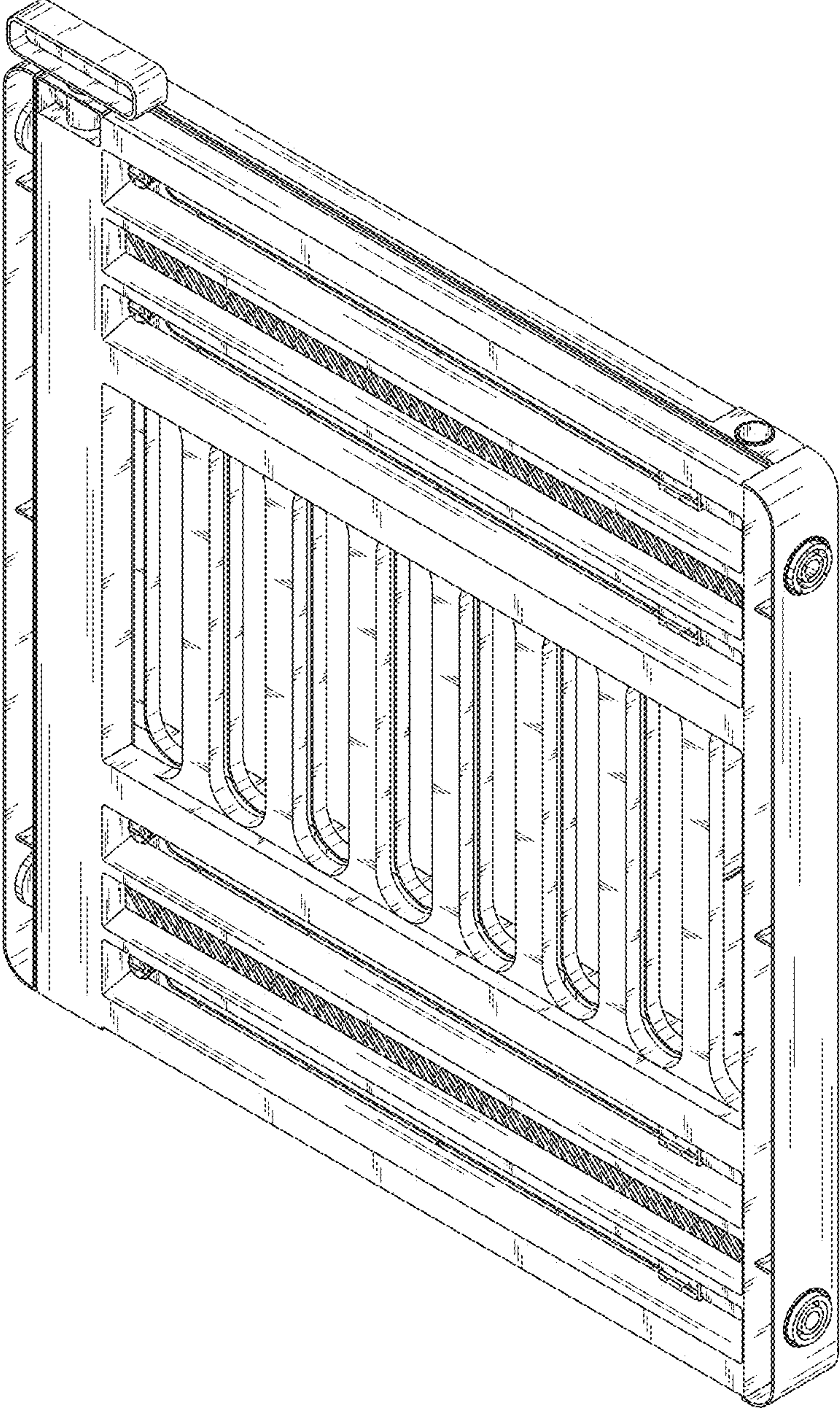


FIG. 2

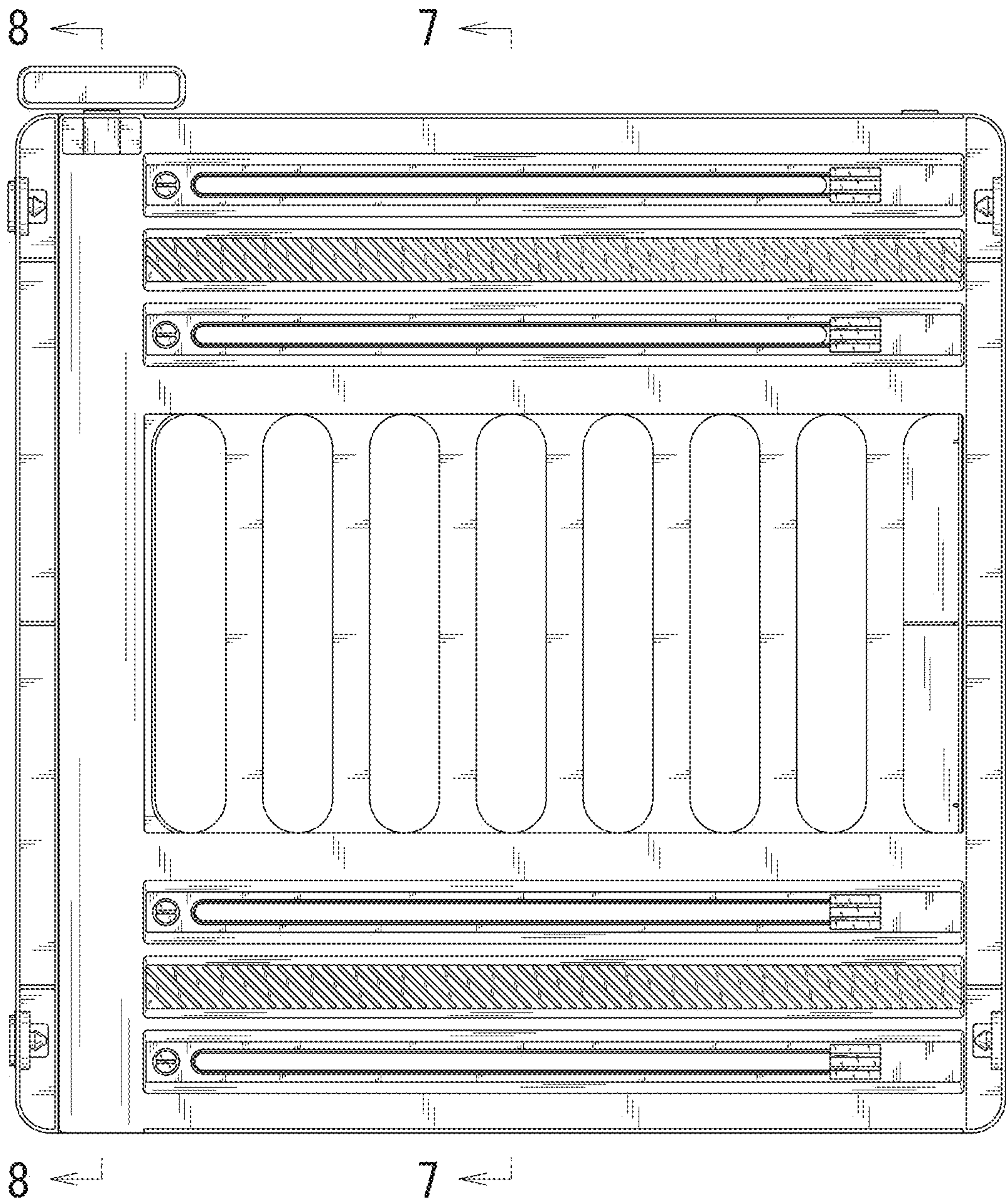




FIG. 3

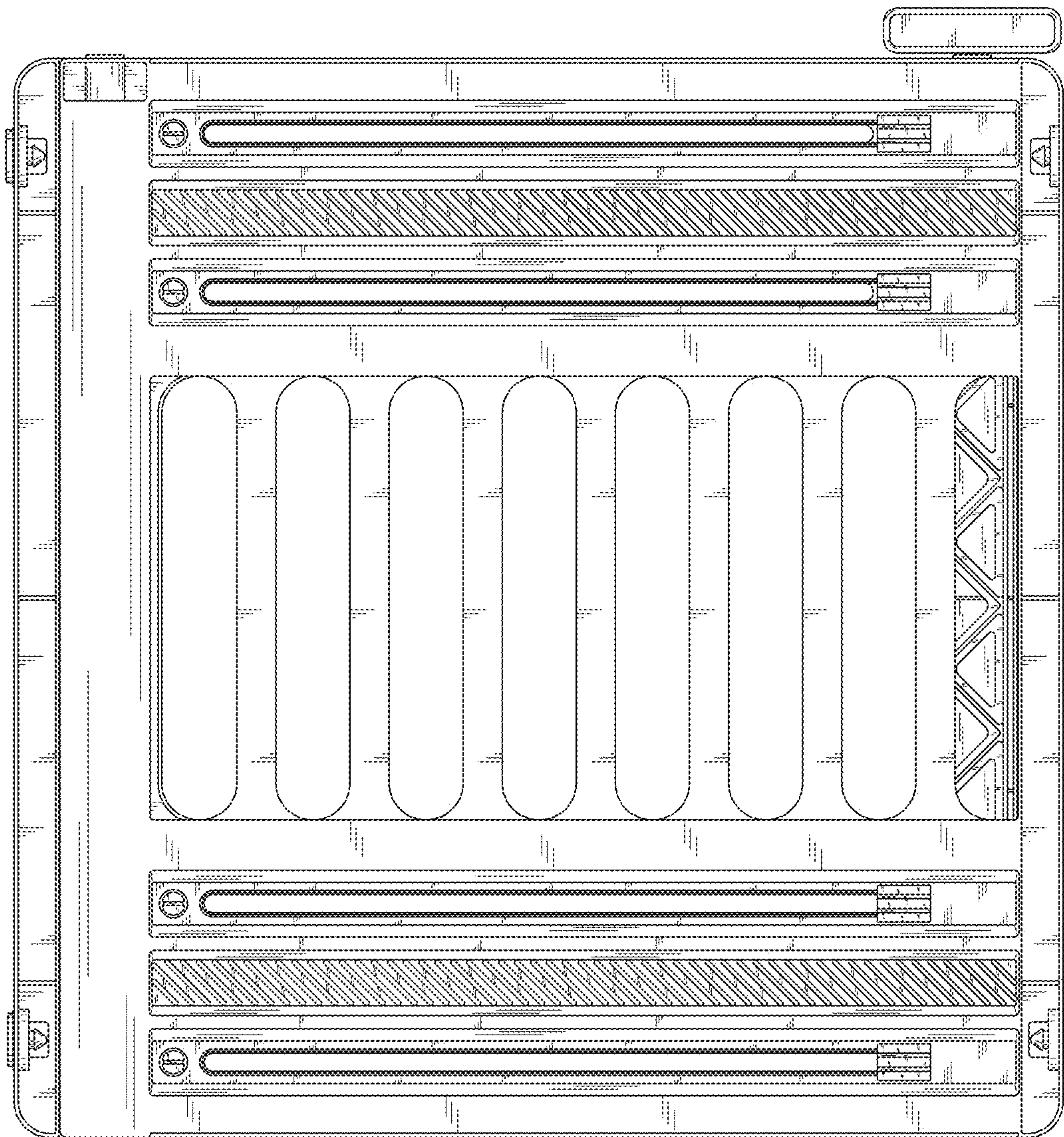


FIG. 4

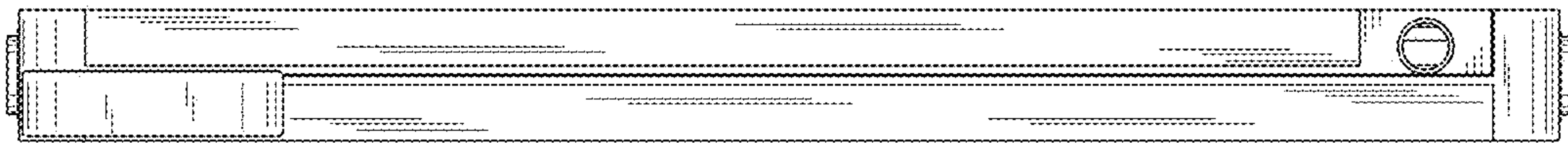


FIG. 5

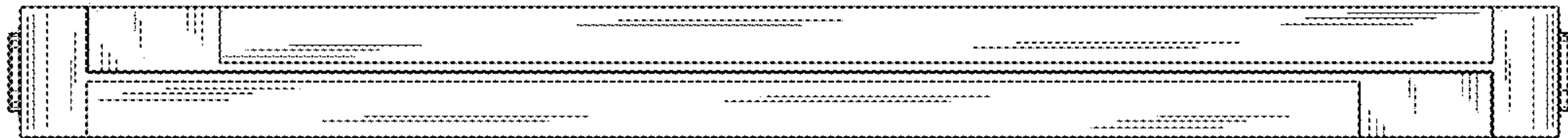


FIG. 6

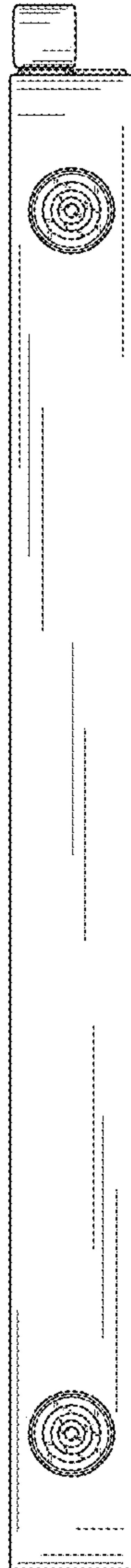




FIG. 7

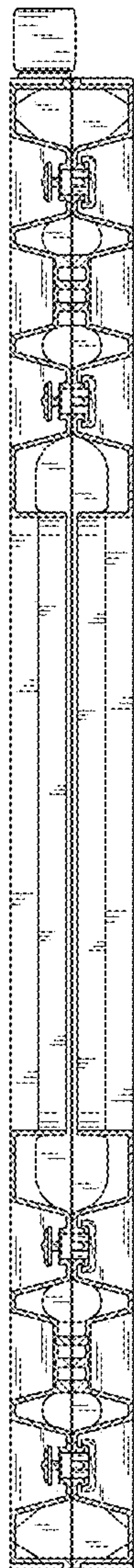


FIG. 8

