



US00D907865S

(12) **United States Design Patent**  
**Kim et al.**

(10) **Patent No.:** **US D907,865 S**

(45) **Date of Patent:** **\*\* Jan. 12, 2021**

(54) **AUTOMATIC WATER PURIFIER FOR PETS**

D806,848 S \* 1/2018 Kim ..... D23/364  
2017/0245465 A1\* 8/2017 Oates ..... A01K 7/00  
2020/0087135 A1\* 3/2020 Youn ..... B67D 1/0871

(71) Applicant: **MOLT**, Seoul (KR)

(72) Inventors: **Taehyoung Kim**, Seoul (KR);  
**Sanghyuk Kim**, Seoul (KR); **Hojoo Kwon**, Seoul (KR); **Soondo Park**, Seoul (KR)

FOREIGN PATENT DOCUMENTS

JP D1637866 \* 7/2019

\* cited by examiner

(73) Assignee: **MOLT**, Seoul (KR)

*Primary Examiner* — Michael C Stout

(\*\*) Term: **15 Years**

*Assistant Examiner* — Katrina N Gonzalez

(21) Appl. No.: **29/668,389**

(74) *Attorney, Agent, or Firm* — Cantor Colburn LLP

(22) Filed: **Oct. 30, 2018**

(57) **CLAIM**

(30) **Foreign Application Priority Data**

Jul. 10, 2018 (KR) ..... 30-2018-0031770

The ornamental design for an automatic water purifier for pets, as shown and described.

(51) **LOC (13) Cl.** ..... **30-03**

(52) **U.S. Cl.**  
USPC ..... **D30/132**

(58) **Field of Classification Search**  
USPC ..... D30/121, 122, 129, 130, 131, 132, 133, D30/199  
CPC ..... A01K 5/00; A01K 5/0291; A01K 7/00; A01K 7/005; A01K 7/02; A01K 39/02; A01K 39/04  
See application file for complete search history.

**DESCRIPTION**

FIG. 1 is a perspective view of an automatic water purifier for pets showing our new design;  
FIG. 2 is a front elevational view thereof;  
FIG. 3 is a rear elevational view thereof;  
FIG. 4 is a left side elevational view thereof;  
FIG. 5 is a right side elevational view thereof;  
FIG. 6 is a top plan view thereof; and,  
FIG. 7 is a bottom plan view thereof.  
The broken lines illustrate portions of the automatic water purifier that form no part of the claimed design.

(56) **References Cited**

U.S. PATENT DOCUMENTS

D196,777 S \* 11/1963 Haynes ..... D30/132  
D704,389 S \* 5/2014 Fang ..... D30/132

**1 Claim, 7 Drawing Sheets**

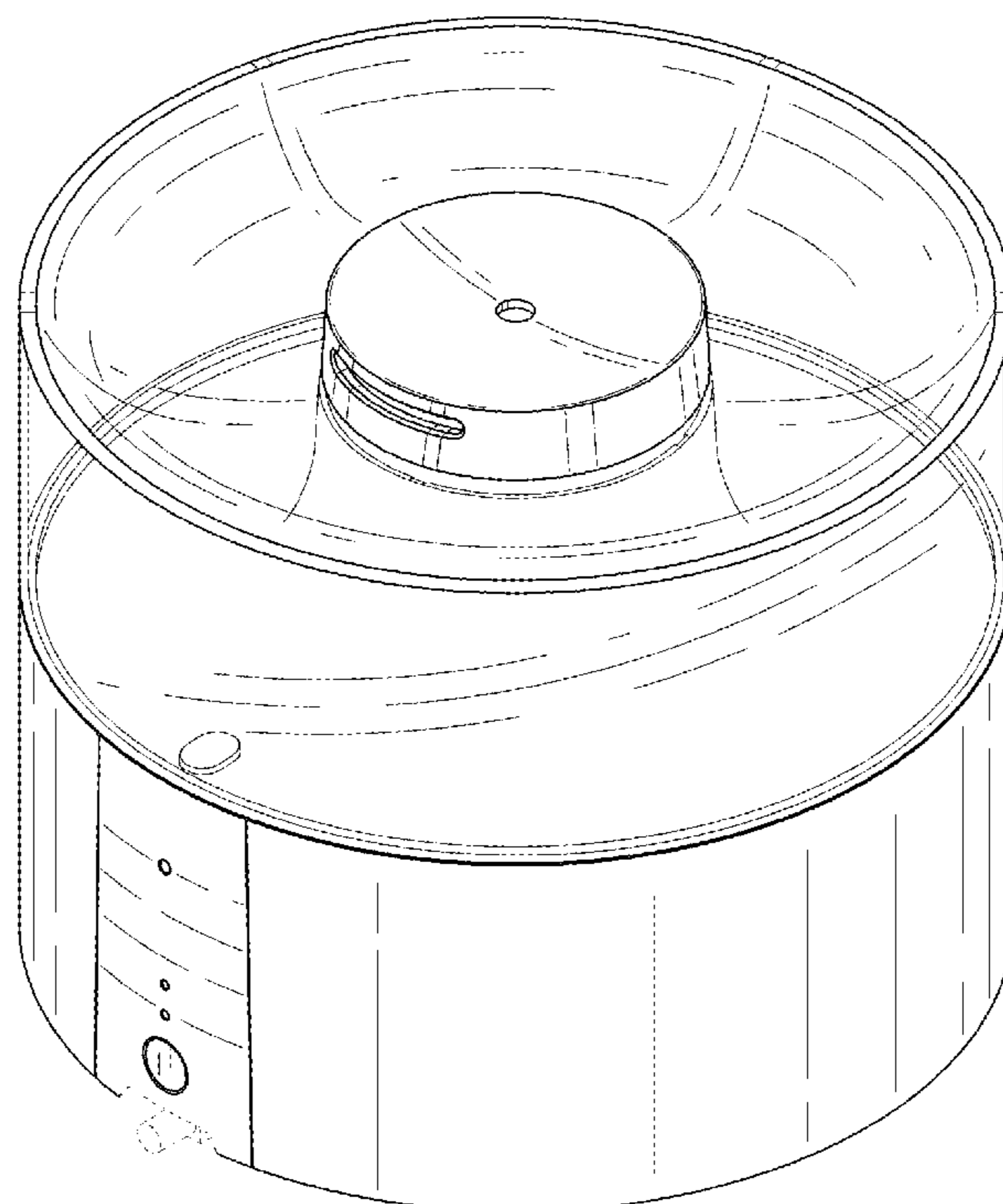


FIG. 1

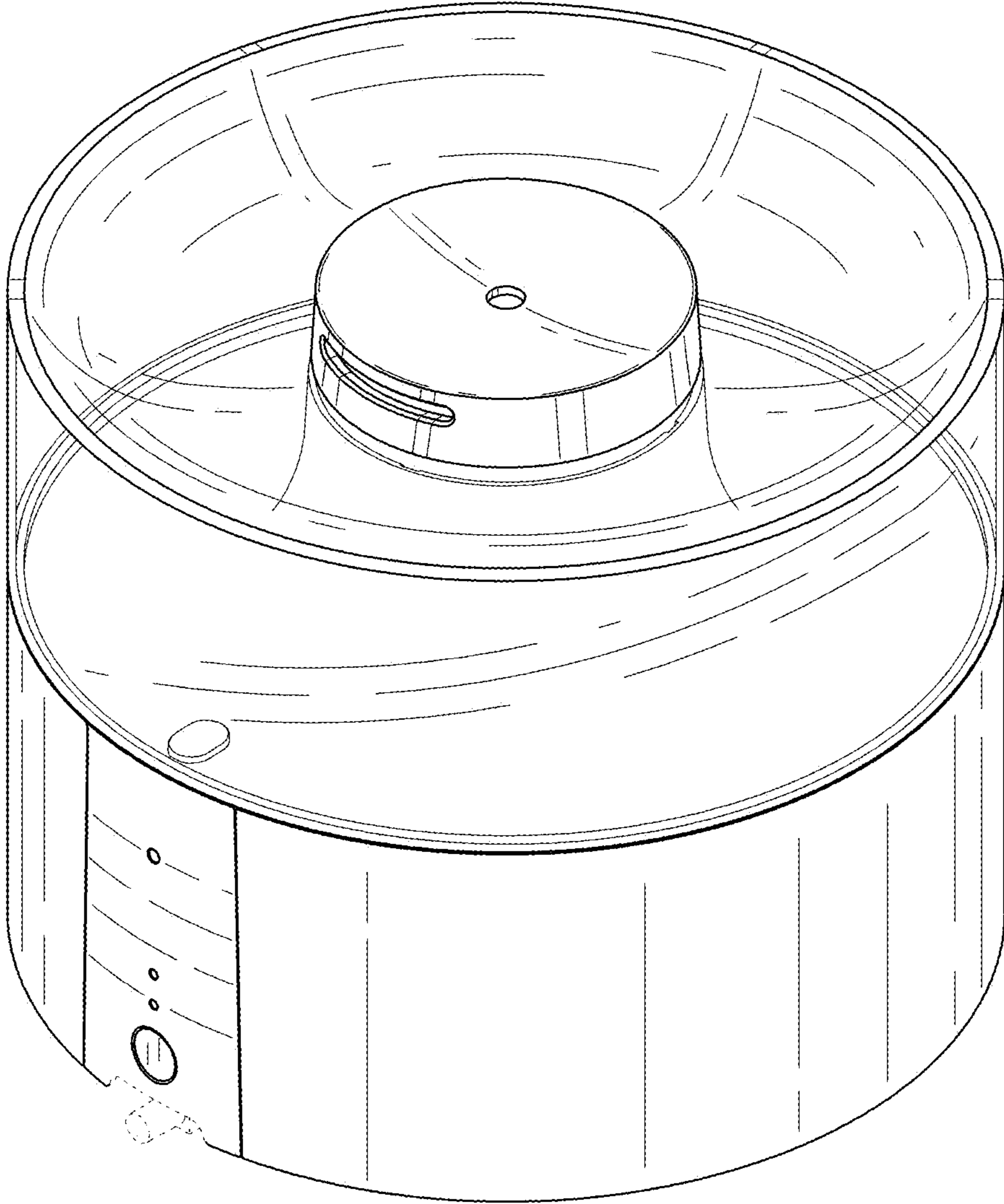


FIG. 2

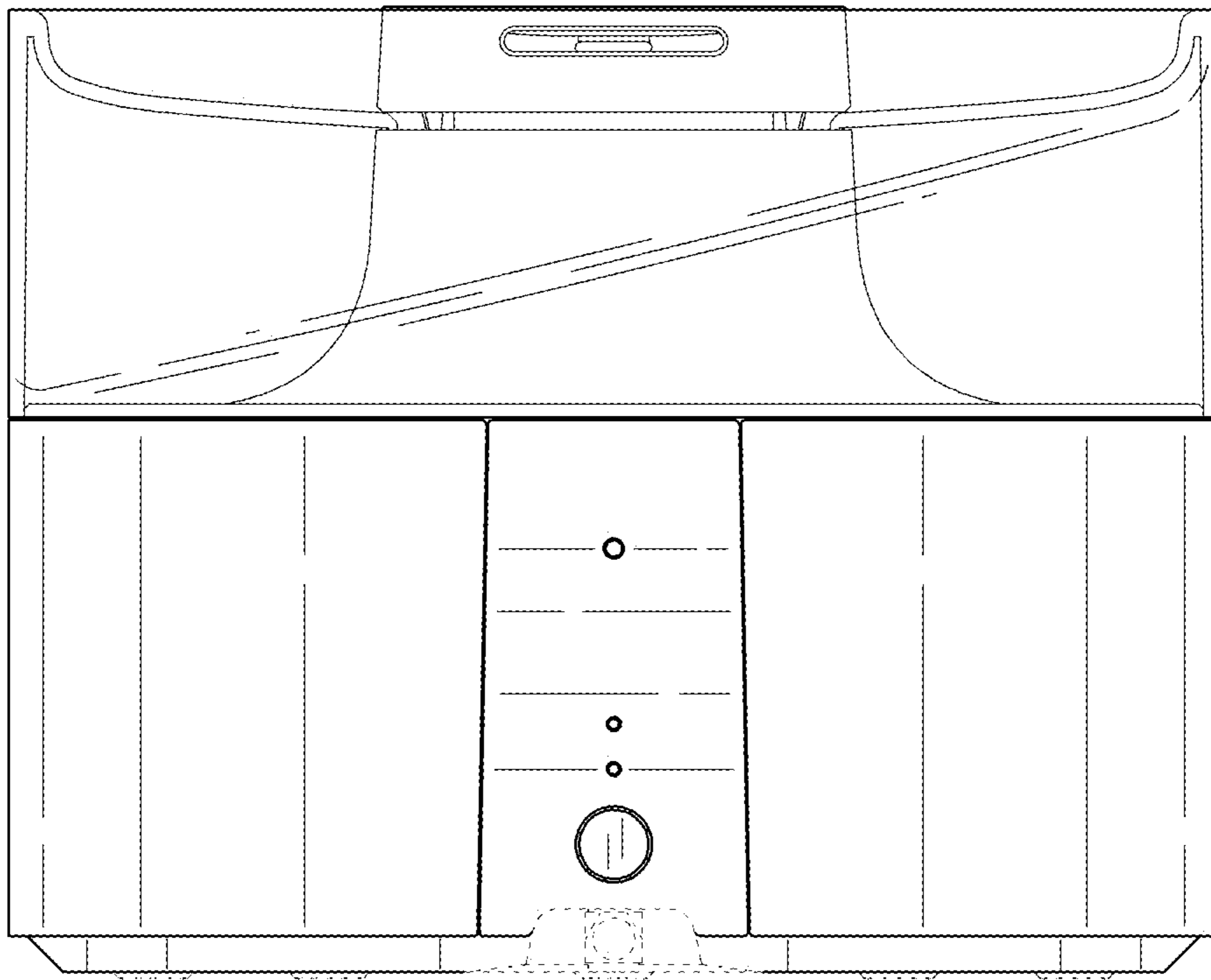


FIG. 3

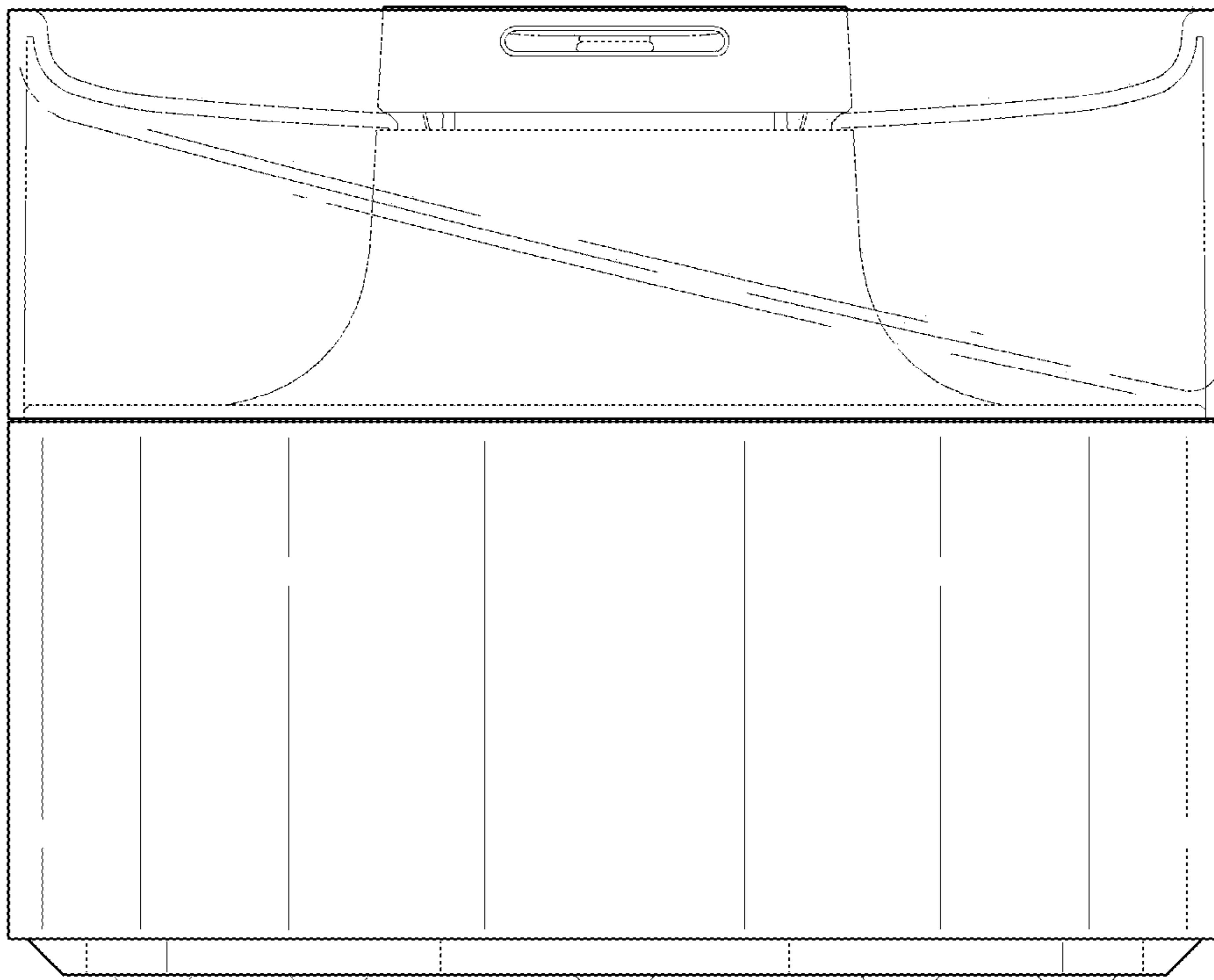


FIG. 4

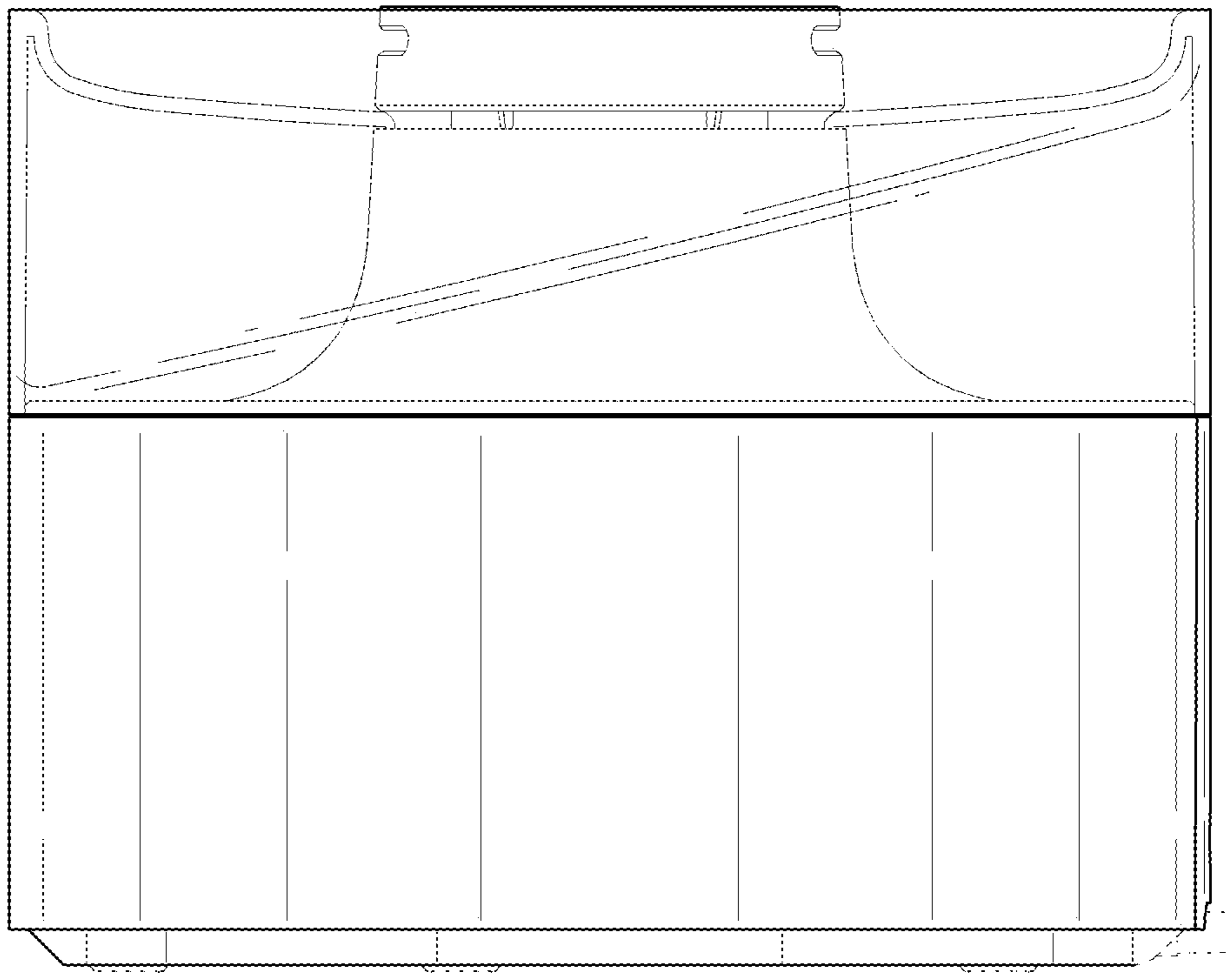


FIG. 5

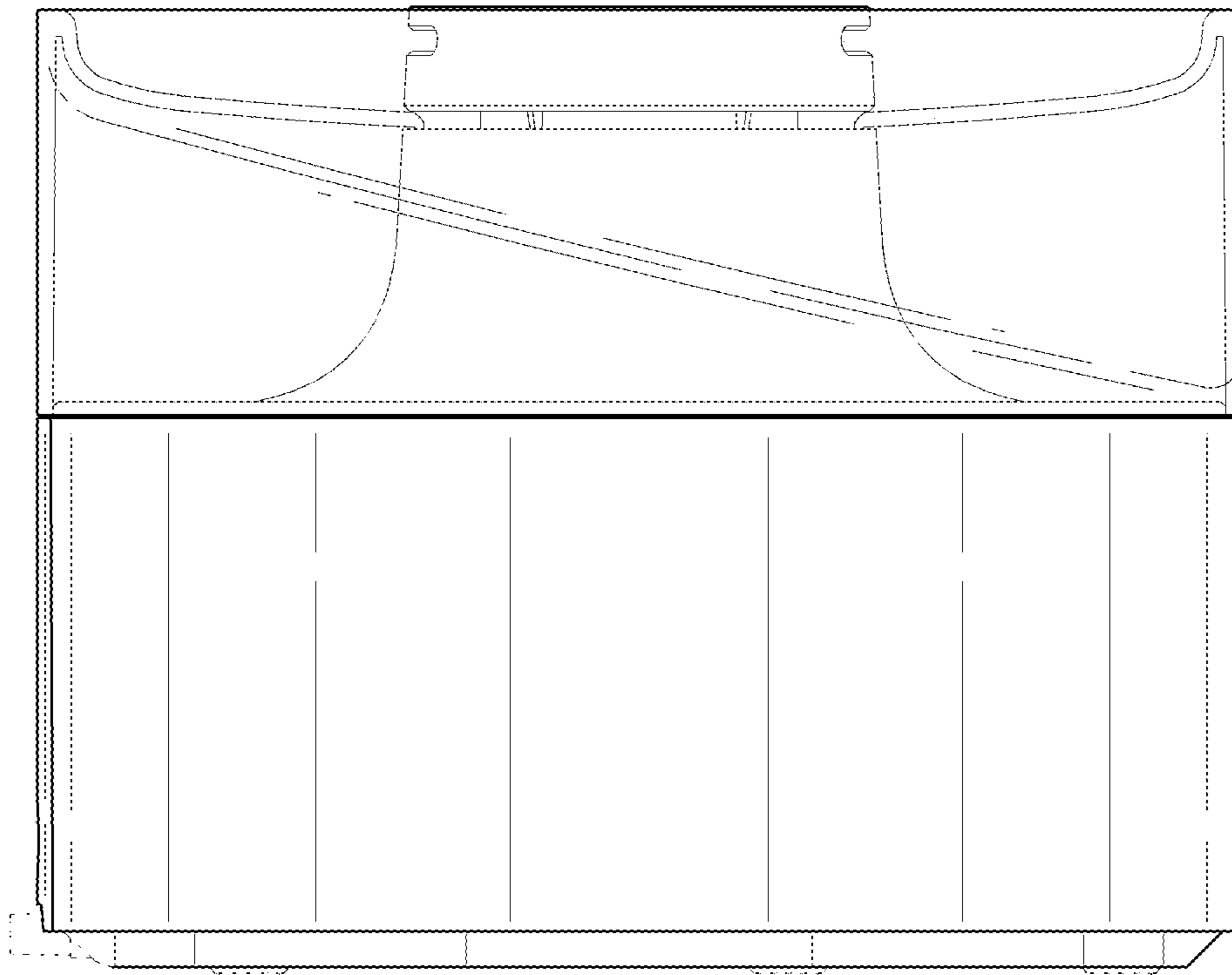


FIG. 6

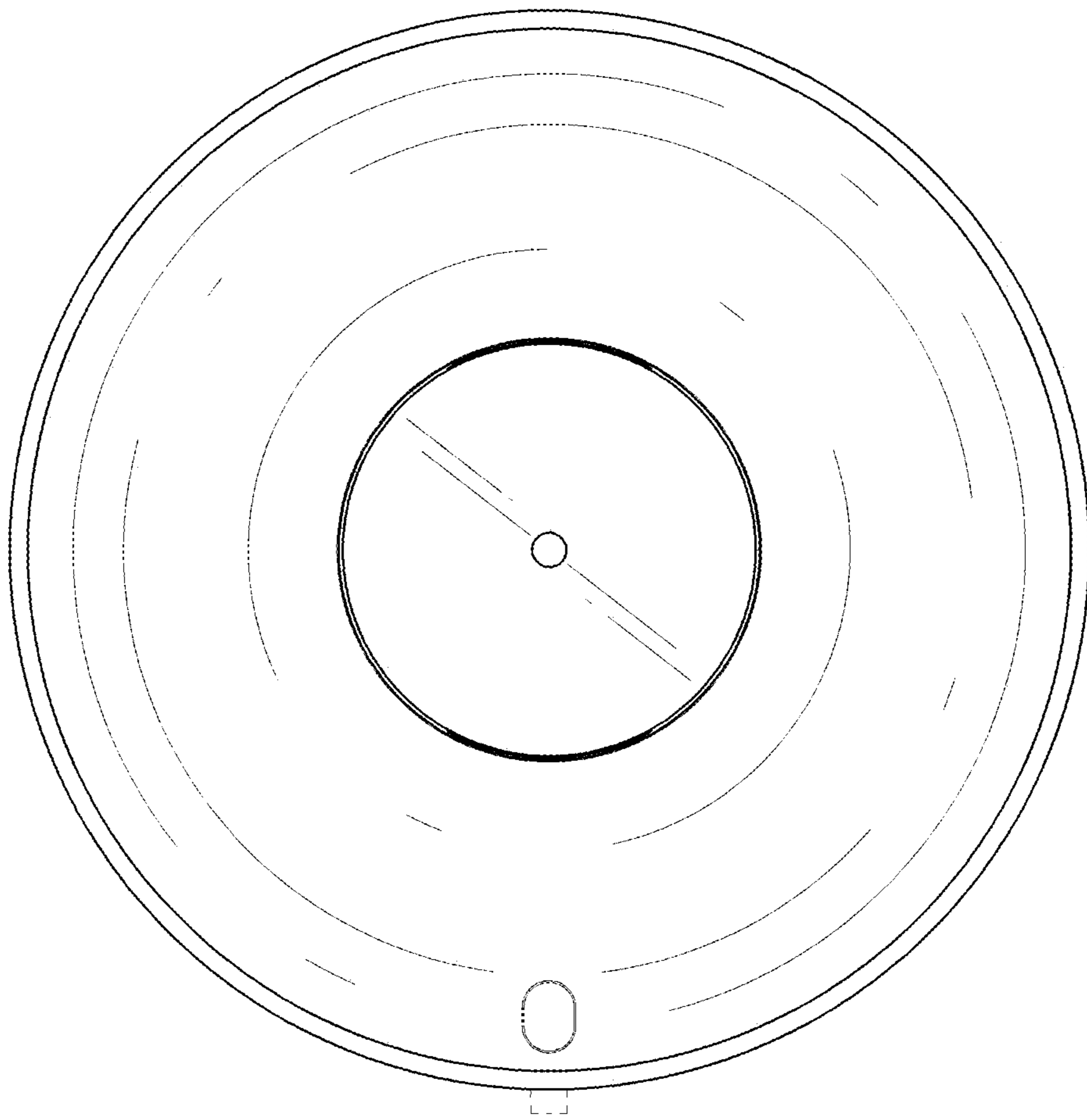


FIG. 7

