



US00D907864S

(12) **United States Design Patent**
Schwartz

(10) **Patent No.:** **US D907,864 S**
(45) **Date of Patent:** **** Jan. 12, 2021**

(54) **CHICKEN FEEDER**

(71) Applicant: **Lyle Mead Schwartz**, Flagstaff, AZ
(US)

(72) Inventor: **Lyle Mead Schwartz**, Flagstaff, AZ
(US)

(**) Term: **15 Years**

(21) Appl. No.: **29/689,450**

(22) Filed: **Apr. 30, 2019**

(51) **LOC (13) Cl.** **30-03**

(52) **U.S. Cl.**
USPC **D30/131; D30/121**

(58) **Field of Classification Search**
USPC D30/133, 121, 122, 124, 127, 128, 132,
D30/129-131; 119/51.01, 61, 51.04, 53,
119/57.91, 54, 53.5, 52.4, 51.11, 63, 61.2,
119/52.1, 57.5, 57.6, 51.13, 62, 75, 500,
119/501, 73, 74, 51.12, 51.5, 52.2, 61.1,
119/60, 58, 59; 239/7, 687, 379, 397.5;
222/199, 181.1, 181.2, 185.1, 557, 156,
222/485, 486, 548, 555, 226-248, 196,
222/410-414; 220/200, 227, 247, 262,
220/697-702; 221/174, 185.1, 289, 295,
221/296, 559; 454/35; 209/270, 283,
209/244; 52/194, 192; 49/279, 344, 357;
D34/28; D7/409, 601, 334, 332, 402;
211/181.1; 414/24.5, 607; D32/53.1;
15/260, 262, 264, 257.01, 257.05, 257.06;
118/419; D9/424, 429; 296/154, 183.1;
126/25 R, 9 R, 276, 30; 312/236;
99/419, 339, 467, 471, 473, 481, 421 R
CPC A01K 5/0225; A01K 5/00; A01K 5/02;
A01K 5/01; A01K 5/0291; A01K 5/0266;
A01K 5/0275; A01K 5/0283; A01K
39/00; A01K 39/01; A01K 39/0113;
A01K 39/012; A01K 39/0125; A01K
39/014; A01K 39/02; A01K 39/0206;
B28C 7/0046; B65D 90/14; B65D 90/52;

B65D 90/54; B65D 88/52; B65D
88/26-34; B65D 88/54; A01C 17/005;
A01C 17/006; Y10T 74/19721; Y10T
74/2063; A01M 31/00; A01M 31/004;
A01M 31/008; A47J 37/0763; B60P 1/43
See application file for complete search history.

(56) **References Cited**

U.S. PATENT DOCUMENTS

23,386 A *	3/1859	Packer	A01K 5/01 119/58
487,003 A *	11/1892	Doolan	A01K 39/014 119/61.3
534,957 A *	2/1895	Ingraham	B65D 1/225 220/62
902,682 A *	11/1908	Peterson	A24F 27/10 206/123
958,558 A *	5/1910	Stiggleman	A01K 5/01 119/61.4
1,028,445 A *	6/1912	Dewey	A01K 5/01 119/61.3

(Continued)

Primary Examiner — Susan Moon Lee

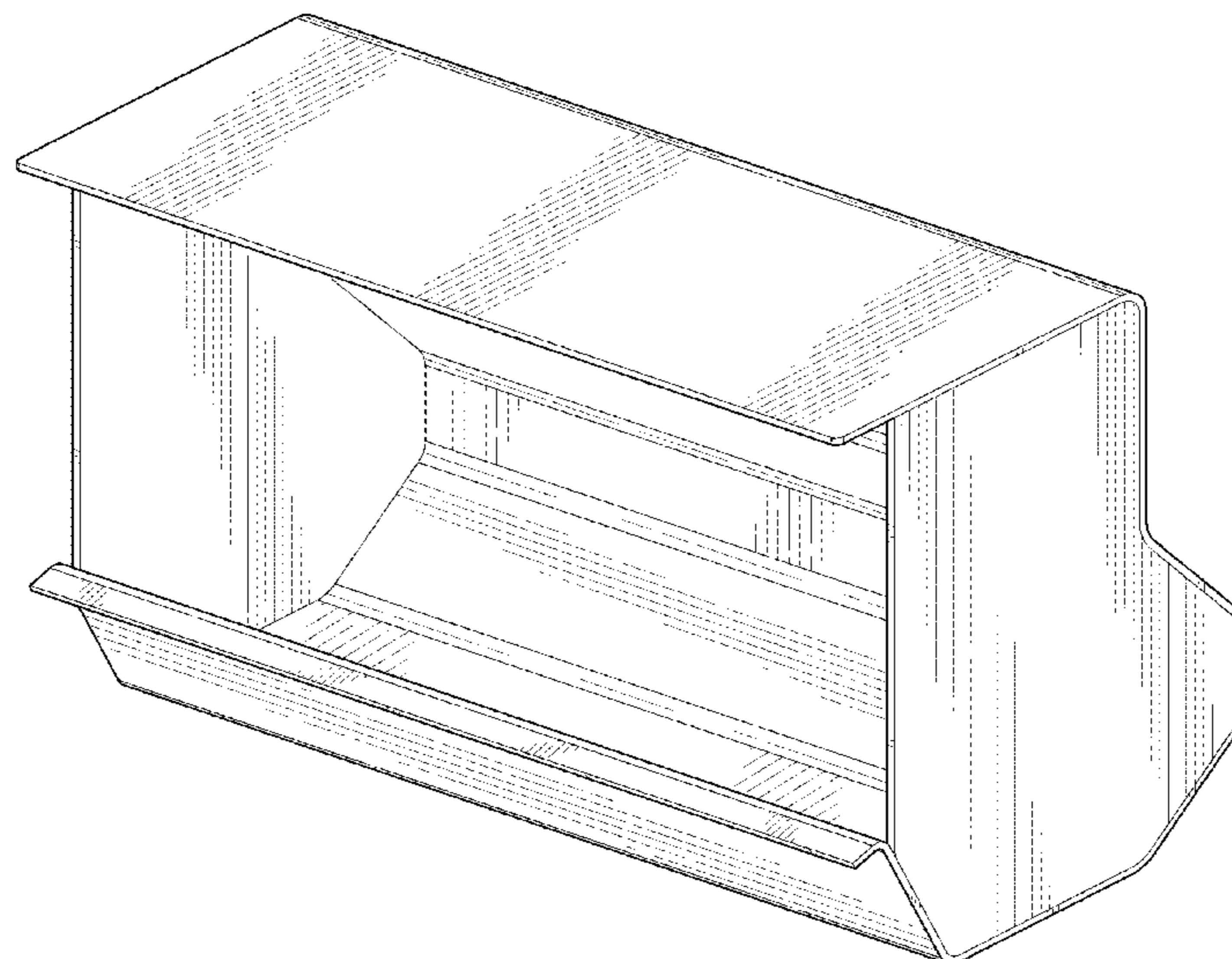
(57) **CLAIM**

The ornamental design for a chicken feeder, as shown and described.

DESCRIPTION

FIG. 1 is a perspective view of a chicken feeder;
FIG. 2 is a right side elevation view thereof;
FIG. 3 is a left side elevation view thereof;
FIG. 4 is a front elevation view thereof;
FIG. 5 is a rear elevation view thereof;
FIG. 6 is a top plan view thereof; and,
FIG. 7 is a bottom plan view thereof.
The broken lines shown in the drawings depict portions of the chicken feeder that form no part of the claimed invention.

1 Claim, 6 Drawing Sheets



(56)	References Cited	
	U.S. PATENT DOCUMENTS	
1,032,747 A *	7/1912 Evans A01K 1/0011 119/522	4,167,917 A * 9/1979 Noll A01K 39/014 119/429
1,037,054 A *	8/1912 Rose A01K 7/00 119/61.4	4,180,014 A * 12/1979 Mathews A01K 5/0225 119/52.1
1,054,463 A *	2/1913 Smith A01K 5/025 119/62	4,258,665 A * 3/1981 Coots A01K 5/01 119/61.31
1,089,011 A *	3/1914 Ruggles A01K 39/014 119/61.3	4,355,598 A * 10/1982 Saylor A01K 5/0241 119/52.1
1,138,365 A *	5/1915 Enos, Jr. A01K 39/014 119/61.3	4,401,056 A * 8/1983 Cody A01K 5/0241 119/477
1,216,203 A *	2/1917 Bower A01K 39/0106 119/60	4,425,873 A * 1/1984 Rinne, Jr. A01K 39/012 119/53
1,259,790 A *	3/1918 Shirley A01K 5/01 119/61.4	4,432,304 A * 2/1984 Johnsson A01K 1/0356 119/477
1,380,564 A *	6/1921 Kennedy A01K 5/0233 119/54	4,457,264 A * 7/1984 Maier A01K 5/01 119/58
1,469,013 A *	9/1923 Jacobus A01K 39/014 119/52.1	D278,169 S * 3/1985 Cargile, Jr. D30/124
1,755,337 A *	4/1930 Schettl A01K 1/0356 119/61.4	4,771,735 A * 9/1988 Larsen A01K 5/0114 119/62
1,769,396 A *	7/1930 Smith A01K 31/16 119/331	4,784,084 A * 11/1988 Kohguchi A01K 1/031 119/475
1,790,385 A *	1/1931 Lorcher A01K 39/014 119/61.4	4,881,491 A * 11/1989 Brown A01K 39/00 119/51.01
1,798,984 A *	3/1931 Petersen A01K 5/01 119/61.1	D320,678 S * 10/1991 Handley D30/124
1,881,065 A *	10/1932 Shirley A01K 5/01 119/61.4	D322,694 S * 12/1991 Lane D30/124
2,365,498 A *	12/1944 Specketer A01K 5/01 119/61.1	D329,723 S * 9/1992 Carpenter D30/126
2,430,541 A *	11/1947 Thatcher A01K 39/014 119/57.8	D330,099 S * 10/1992 Sutherland D30/132
2,448,707 A *	9/1948 Erickson A01K 5/01 119/61.31	D330,272 S * 10/1992 Lane D30/124
D162,139 S	2/1951 Ehrenfeld	5,188,060 A * 2/1993 Johnson A01K 5/01 119/51.03
2,675,782 A *	4/1954 Lage A01K 5/01 119/61.1	D334,636 S * 4/1993 Honeycutt D11/145
2,713,321 A *	7/1955 Keen A01K 13/001 119/672	D337,862 S * 7/1993 Leopold D30/121
2,827,876 A *	3/1958 Trobaugh A01K 39/012 119/52.4	5,230,301 A * 7/1993 Nass A01K 5/0241 119/52.1
2,858,801 A *	11/1958 Chance A01K 5/0225 119/52.4	D351,690 S * 10/1994 Honeycutt D30/124
2,956,540 A *	10/1960 Walton A01K 5/01 119/78	5,375,559 A * 12/1994 Baadsgaard A01K 5/01 119/58
D192,925 S *	5/1962 Kofsky D30/124	5,404,838 A * 4/1995 Khan A01K 5/0114 119/51.5
3,040,706 A *	6/1962 O'Dell A01K 39/014 119/57.8	D359,146 S * 6/1995 Finch D30/121
3,114,350 A *	12/1963 King A01K 1/0356 119/51.01	D363,916 S * 11/1995 Johnson D12/415
3,155,427 A *	11/1964 Necessary A47C 7/66 297/184.14	5,572,948 A * 11/1996 Womack A01K 39/012 119/53
3,180,319 A *	4/1965 France A01K 5/0225 119/61.1	5,642,687 A * 7/1997 Nylen A01K 39/0113 119/52.3
3,233,590 A *	2/1966 Venca A01K 39/04 119/51.5	D392,777 S * 3/1998 Scribner D30/131
3,291,100 A *	12/1966 Negaard A01K 39/014 119/57.8	D405,560 S * 2/1999 Chrisco D30/121
D207,166 S *	3/1967 Noble D30/132	5,904,330 A * 5/1999 Manico A01K 39/00 119/51.01
D209,972 S *	1/1968 Ott D30/121	5,992,349 A * 11/1999 Sachs A01K 5/0225 119/52.1
D212,367 S *	10/1968 Carlson D30/126	D419,736 S * 1/2000 Clark D32/53.1
3,418,974 A *	12/1968 Reeves A01K 1/0356 119/477	D423,734 S * 4/2000 Dahl D30/131
3,517,454 A *	6/1970 Query A01M 25/004 43/131	D428,216 S 7/2000 Bonder et al.
3,593,470 A *	7/1971 Francis E06B 7/28 52/36.4	6,138,400 A * 10/2000 Gervae A01K 97/02 43/44.99
D225,215 S *	11/1972 Francis D25/35	6,199,510 B1 * 3/2001 Louden A01K 1/0356 119/51.01
3,927,645 A *	12/1975 Varner A01K 39/0113 119/51.01	6,499,249 B1 * 12/2002 Luijckx A47F 7/0078 206/423
D241,255 S *	8/1976 D'Angelo D30/121	6,526,911 B2 * 3/2003 Louden A01K 1/0356 119/51.01
		6,581,540 B1 * 6/2003 LaVanish A01K 39/012 119/51.01
		6,606,962 B2 * 8/2003 Elliott A01K 1/10 119/60
		6,945,468 B1 * 9/2005 Rodriguez B05B 17/085 169/13
		7,036,455 B2 * 5/2006 Loewe A01K 5/0225 119/53
		7,467,599 B2 * 12/2008 Jensen A01K 5/01 119/409
		D589,728 S * 4/2009 Shaha D3/304
		7,513,219 B2 * 4/2009 Louden A01K 1/0356 119/477

(56)

References Cited

U.S. PATENT DOCUMENTS

7,681,525 B1 *	3/2010	Trulove	A01K 5/01	119/61.1	8,904,960 B2 *	12/2014	O'Connor	A01K 5/01	119/52.1
D637,360 S *	5/2011	Reicher	D30/131		D720,895 S *	1/2015	Yates	D30/121	
7,975,653 B2 *	7/2011	Cash	A01K 31/04	119/467	9,295,222 B2 *	3/2016	Martinez	E06B 7/28	
8,322,306 B2 *	12/2012	Bondarenko	A01K 5/0241	119/53.5	D762,016 S *	7/2016	Yates	D30/121	
D681,284 S	4/2013	Tu				9,462,783 B2 *	10/2016	Gates	A01K 5/0225	
8,573,157 B2 *	11/2013	Bondarenko	A01K 5/0225	119/53.5	9,702,502 B2 *	7/2017	Hudepohl	F16M 13/022	
D702,002 S *	4/2014	Petrek	D30/121		D852,430 S *	6/2019	Roger	D30/121	
D707,402 S *	6/2014	Halderman	D30/131		D895,085 S *	9/2020	Brill	D23/310	
8,833,305 B2 *	9/2014	Macpherson	A01K 5/0142	119/61.5	2005/0217593 A1	10/2005	Rice			
8,899,178 B2 *	12/2014	Bondarenko	A01K 5/0225	119/53.5	2007/0022963 A1 *	2/2007	Jensen	A01K 5/01	119/61.1
						2007/0137585 A1 *	6/2007	Rausch	A01K 5/0216	119/53
						2010/0024736 A1 *	2/2010	Davis	A01K 5/0142	119/51.11
						2012/0266824 A1 *	10/2012	Trauttmansdorf	119/65	
						2015/0342153 A1 *	12/2015	Hudepohl	F16M 13/022	119/57.8

* cited by examiner

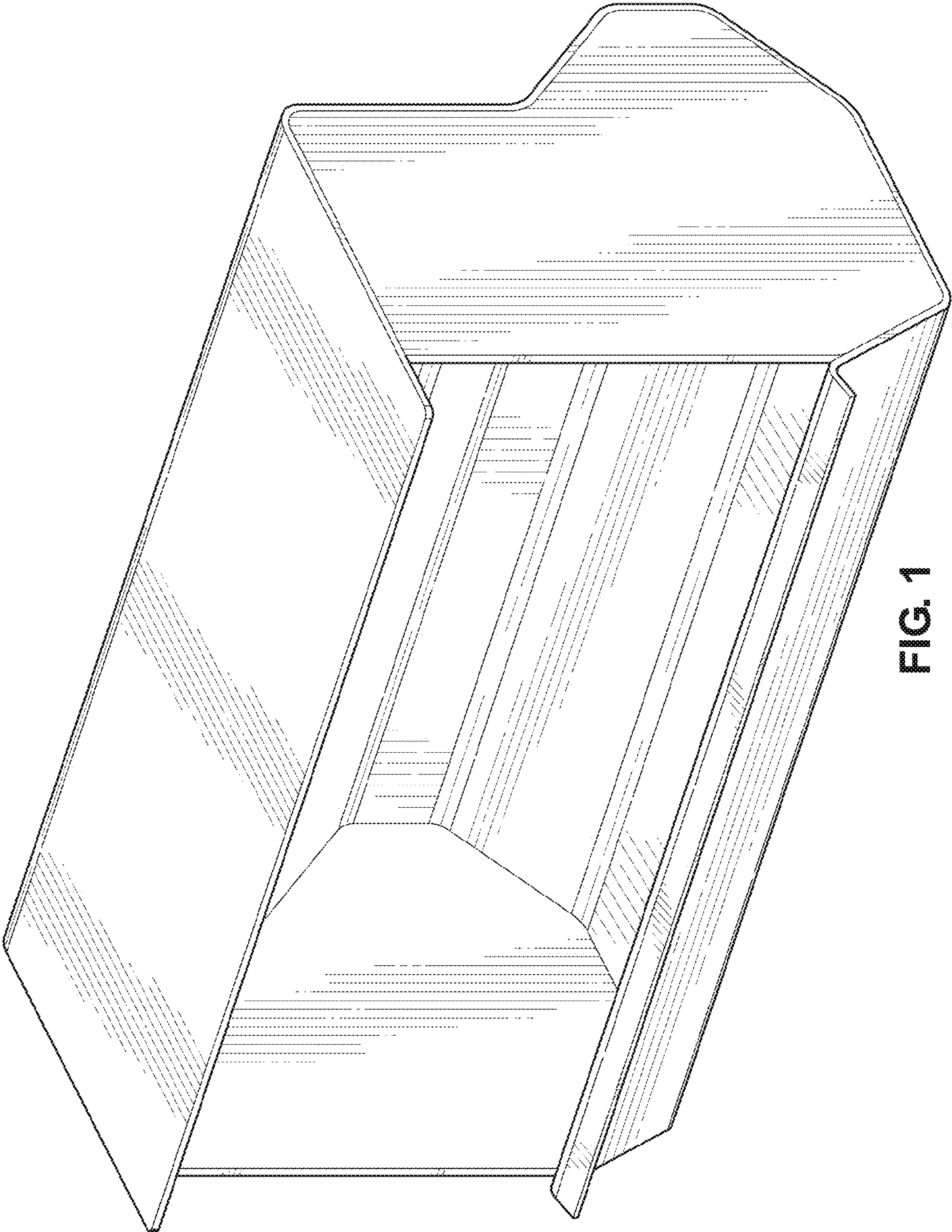


FIG. 1

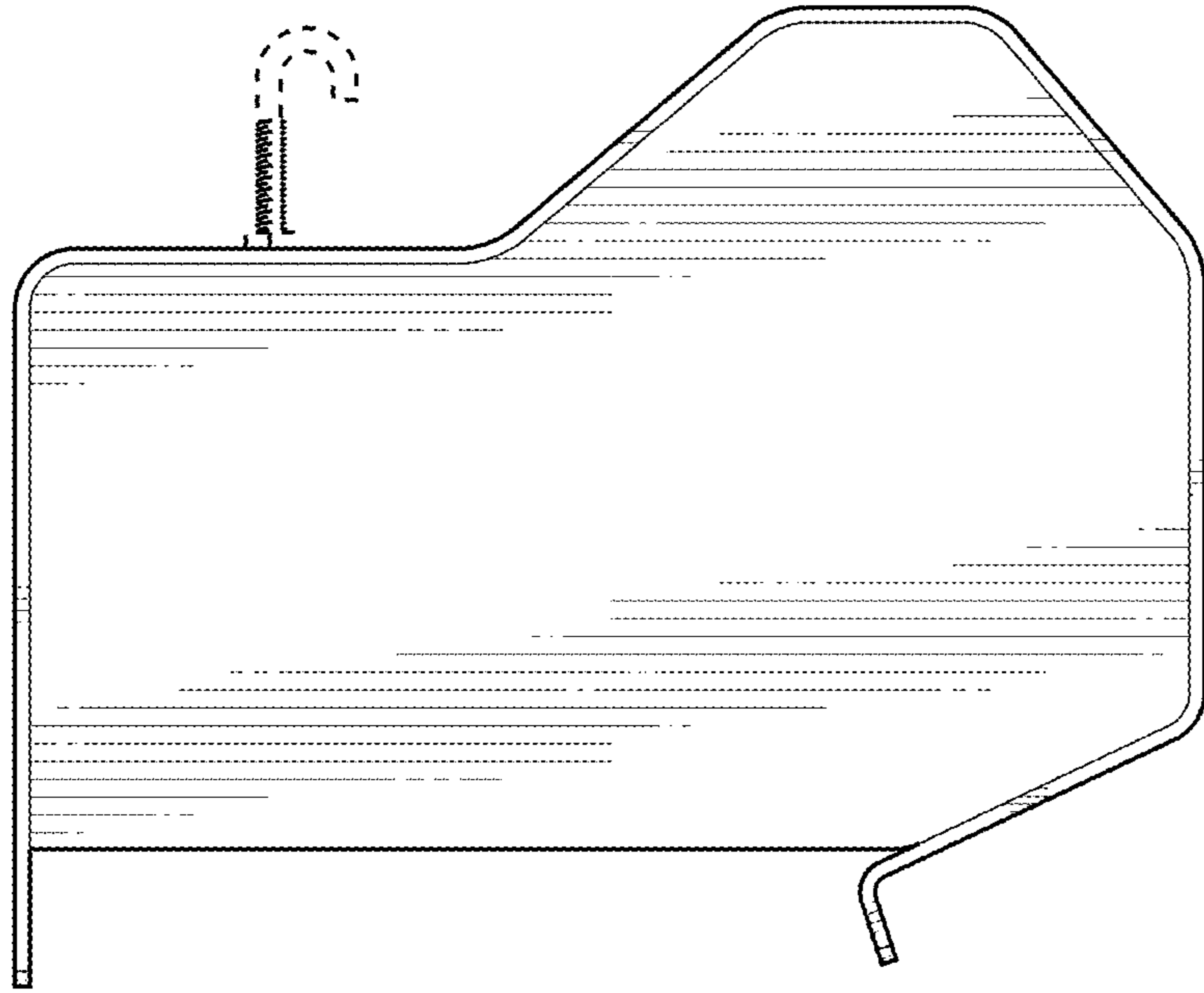


FIG. 3

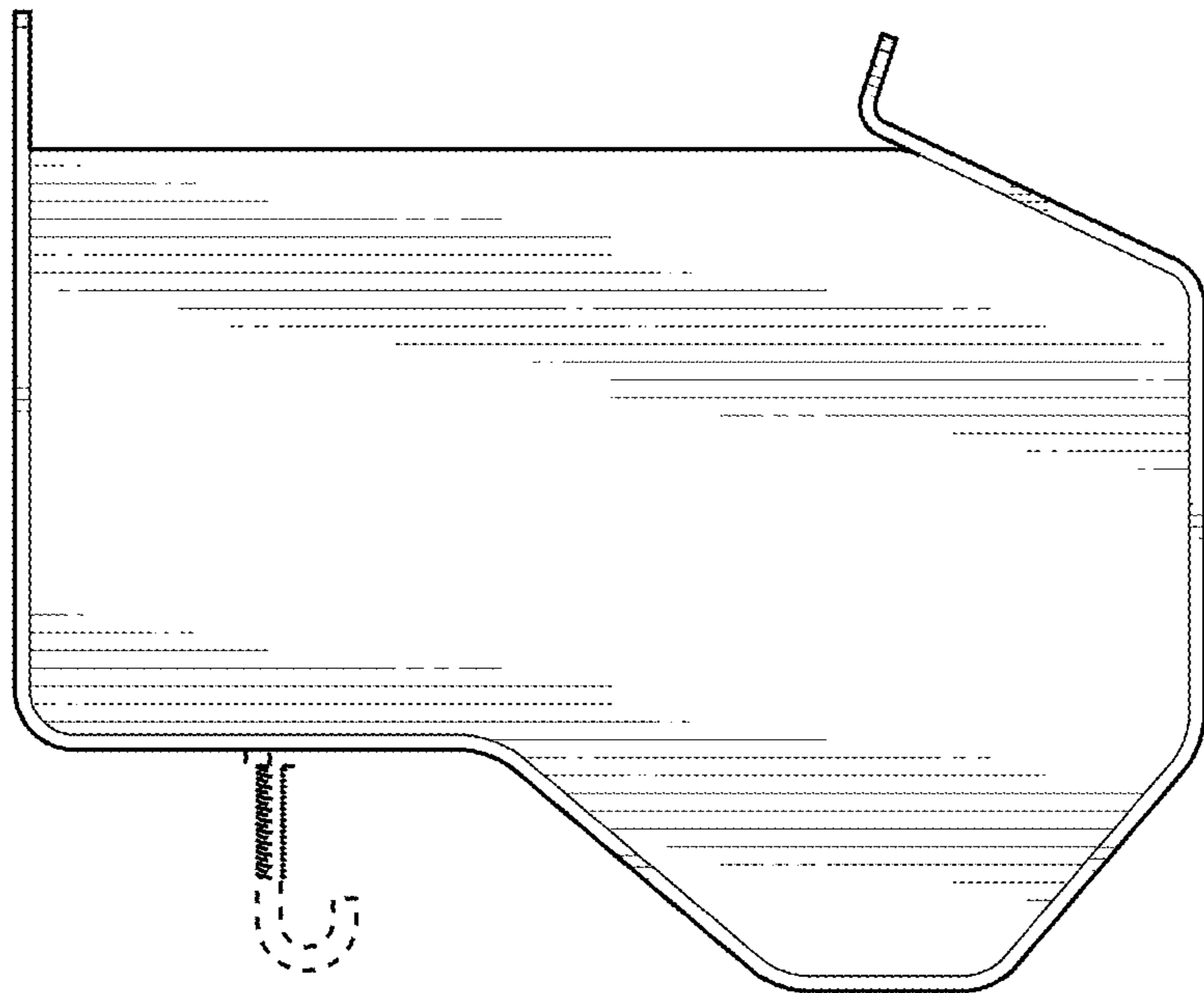


FIG. 2

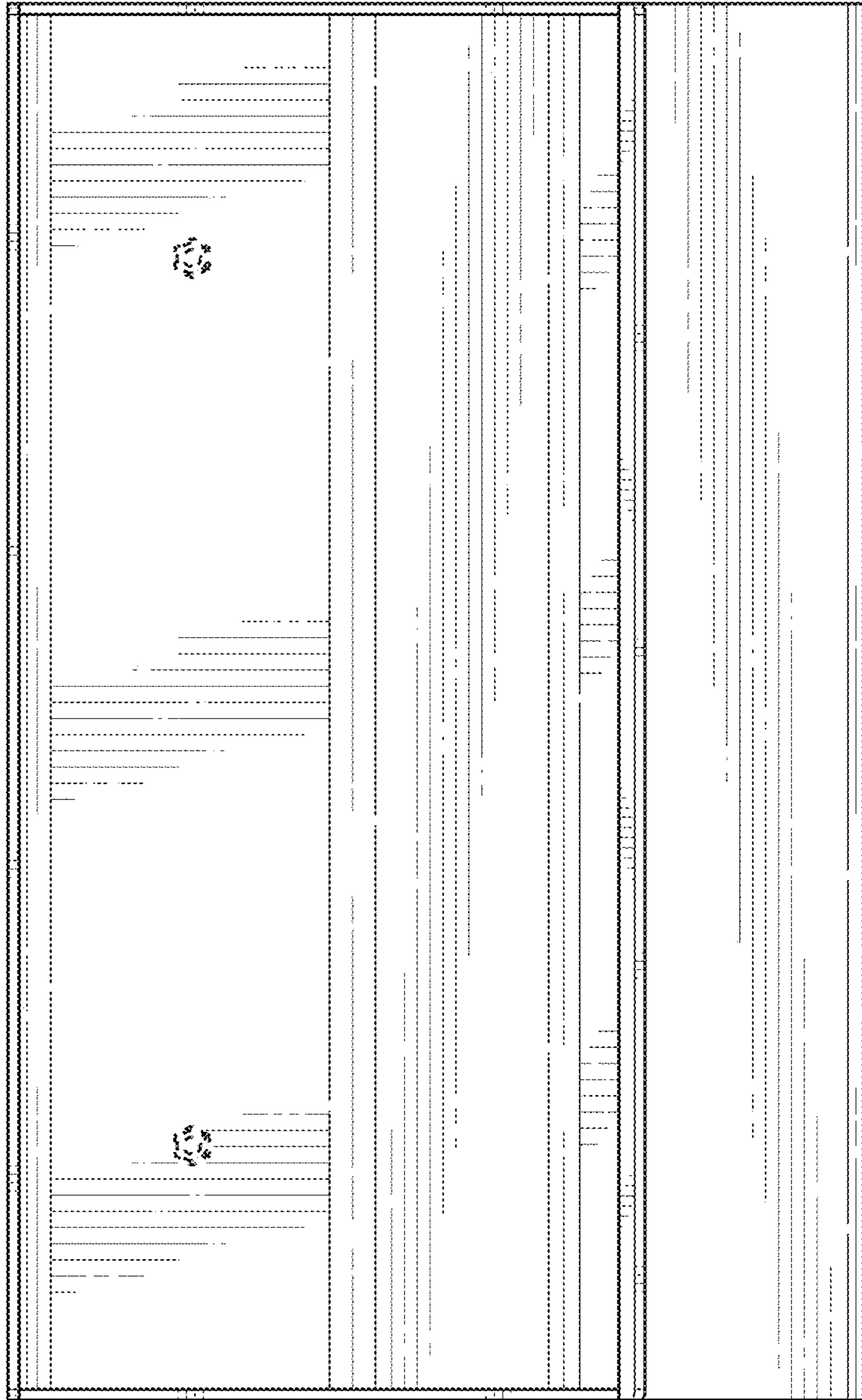


FIG. 4

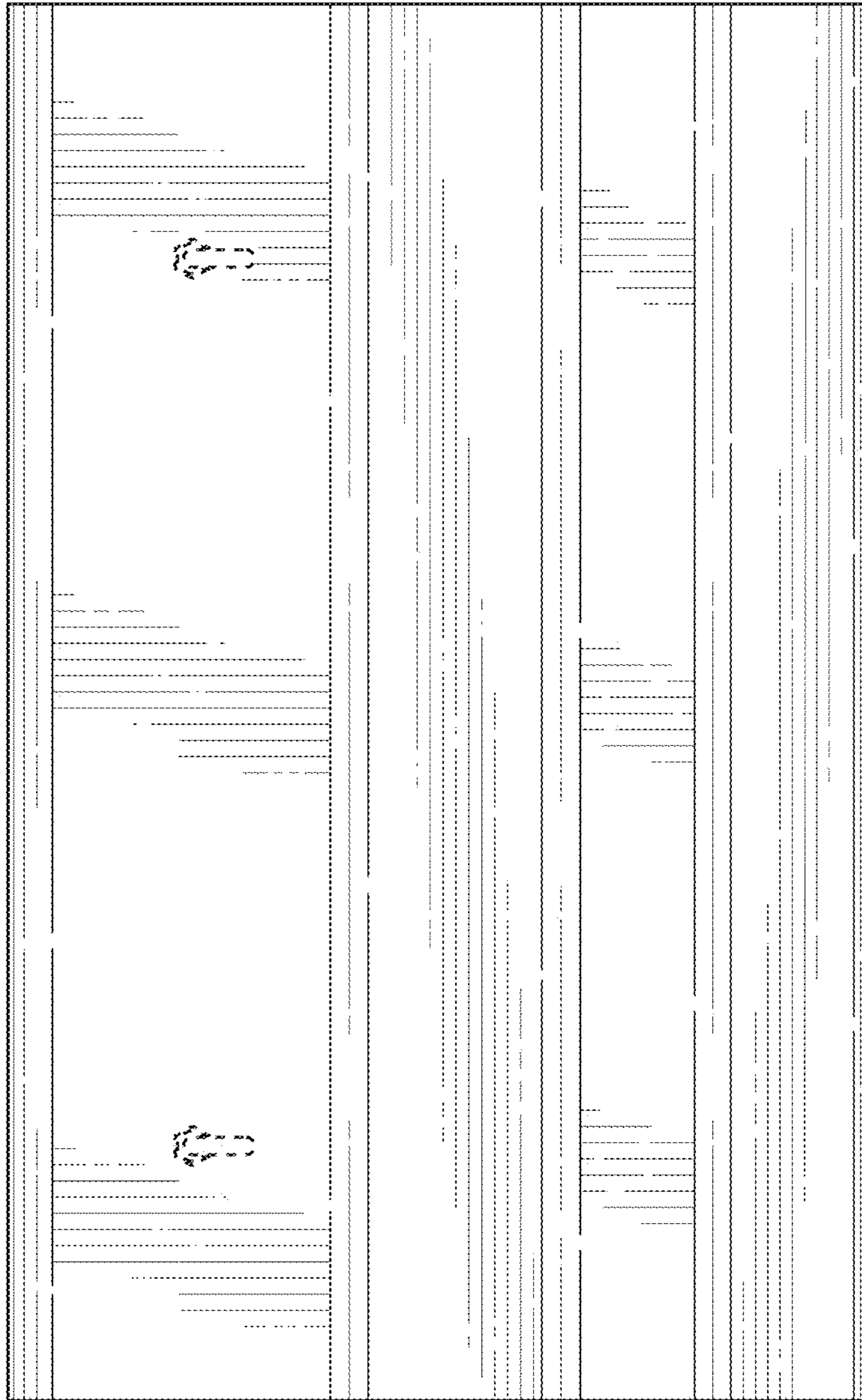


FIG. 5

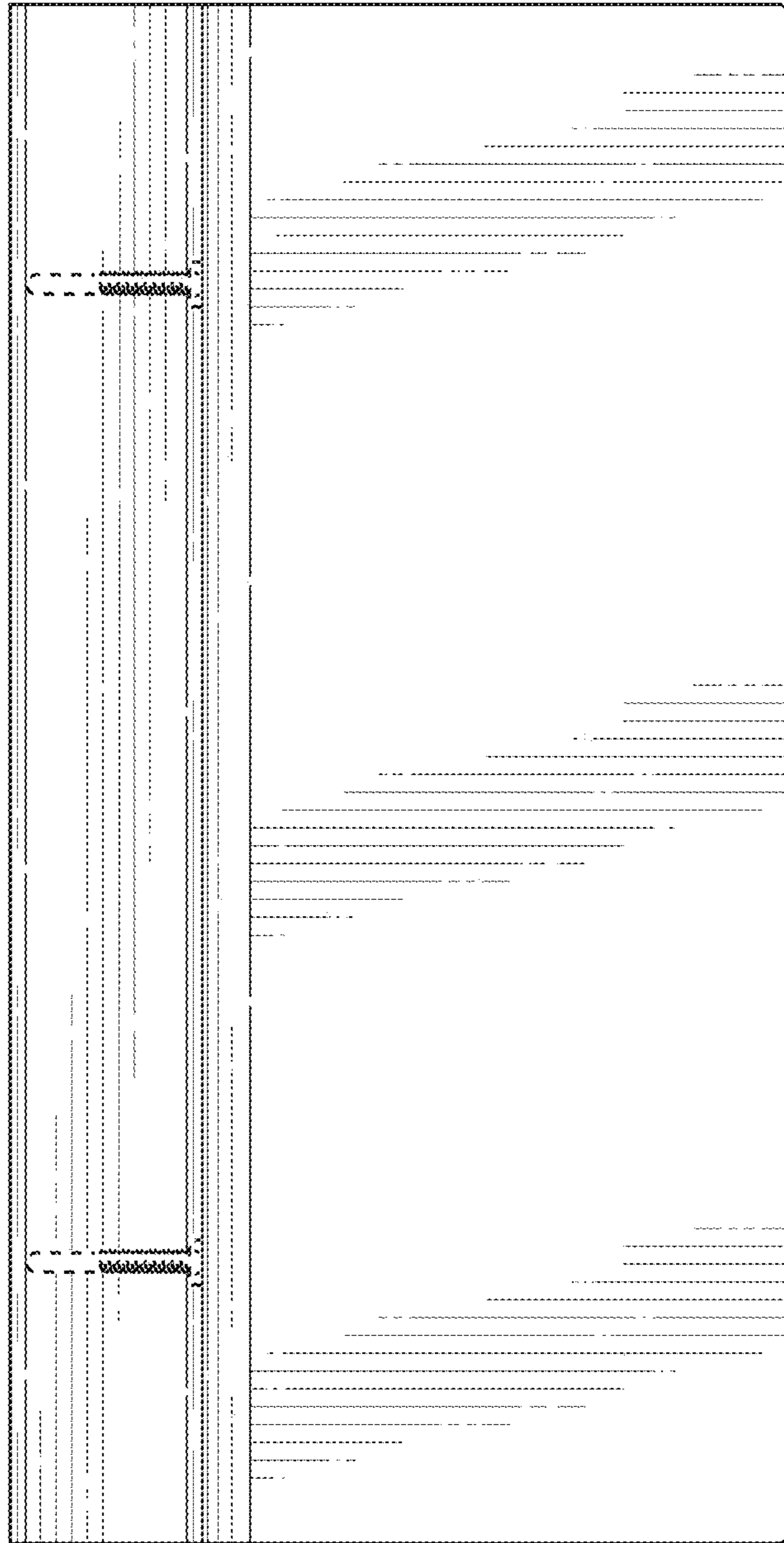


FIG. 6

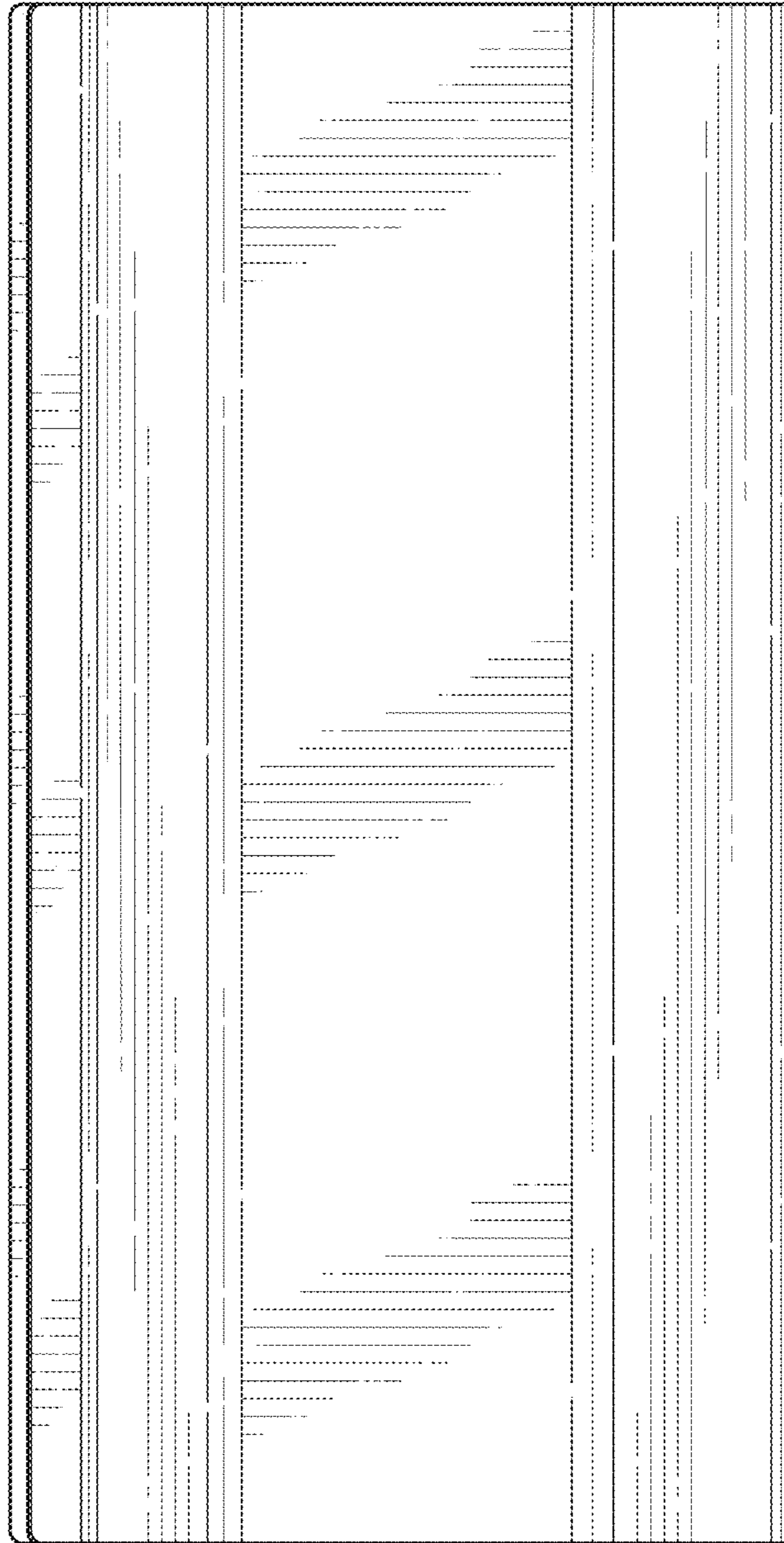


FIG. 7