



US00D907863S

(12) **United States Design Patent** (10) **Patent No.:** **US D907,863 S**  
**Berger et al.** (45) **Date of Patent:** **\*\* Jan. 12, 2021**

(54) **PET BED**  
(71) Applicants: **Dean Berger**, Tarpon Springs, FL (US);  
**Rosa Varela**, Holiday, FL (US)  
(72) Inventors: **Dean Berger**, Tarpon Springs, FL (US);  
**Rosa Varela**, Holiday, FL (US)

D531,364 S 10/2006 Crane  
D534,692 S 1/2007 Northrop  
D535,063 S \* 1/2007 Green ..... D30/118  
D539,559 S \* 4/2007 Policicchio ..... D6/381  
D542,478 S \* 5/2007 Andriola ..... D30/118  
D547,502 S \* 7/2007 McGinley ..... D30/118  
D567,456 S \* 4/2008 Martin ..... D30/118

(Continued)

(\*\*) Term: **15 Years**

FOREIGN PATENT DOCUMENTS

(21) Appl. No.: **29/705,710**

GB 2474283 A 4/2011

(22) Filed: **Sep. 13, 2019**

OTHER PUBLICATIONS

(51) **LOC (13) Cl.** ..... **30-01**

(52) **U.S. Cl.**  
USPC ..... **D30/118**

(58) **Field of Classification Search**  
USPC ..... D30/108, 112, 117-120, 129, 130;  
D6/333, 334, 349, 350, 371, 378,  
D6/381-383, 388, 390, 393, 395, 595,  
D6/596, 598, 601, 609, 715.2; D21/803,  
D21/809; D25/63; 119/526  
CPC .... A01K 1/035; A01K 1/0353; A01K 1/0281;  
A47G 9/06  
See application file for complete search history.

“Elevated Dog Bed with stairs”; printed on Jul. 24, 2019 from  
[https://www.etsy.com/listing/287043787/elevated-dog-bed-with-stairs?gpla=1&gao=1&utm\\_campaign=shopping\\_us\\_THHCreations\\_sfc\\_osa&utm\\_medium=cpc&utm\\_source=google&utm\\_custom1=0&utm\\_content=7309271&gclid=EAlalQobChMl8rnhibK82AIVkFmGCh03BQuIEAkYDCABEglzt\\_D\\_BwE](https://www.etsy.com/listing/287043787/elevated-dog-bed-with-stairs?gpla=1&gao=1&utm_campaign=shopping_us_THHCreations_sfc_osa&utm_medium=cpc&utm_source=google&utm_custom1=0&utm_content=7309271&gclid=EAlalQobChMl8rnhibK82AIVkFmGCh03BQuIEAkYDCABEglzt_D_BwE).

*Primary Examiner* — Sandra Snapp  
*Assistant Examiner* — Mehri Bajoul  
(74) *Attorney, Agent, or Firm* — Nath, Goldberg & Meyer; Richard C. Litman

(56) **References Cited**

(57) **CLAIM**

U.S. PATENT DOCUMENTS

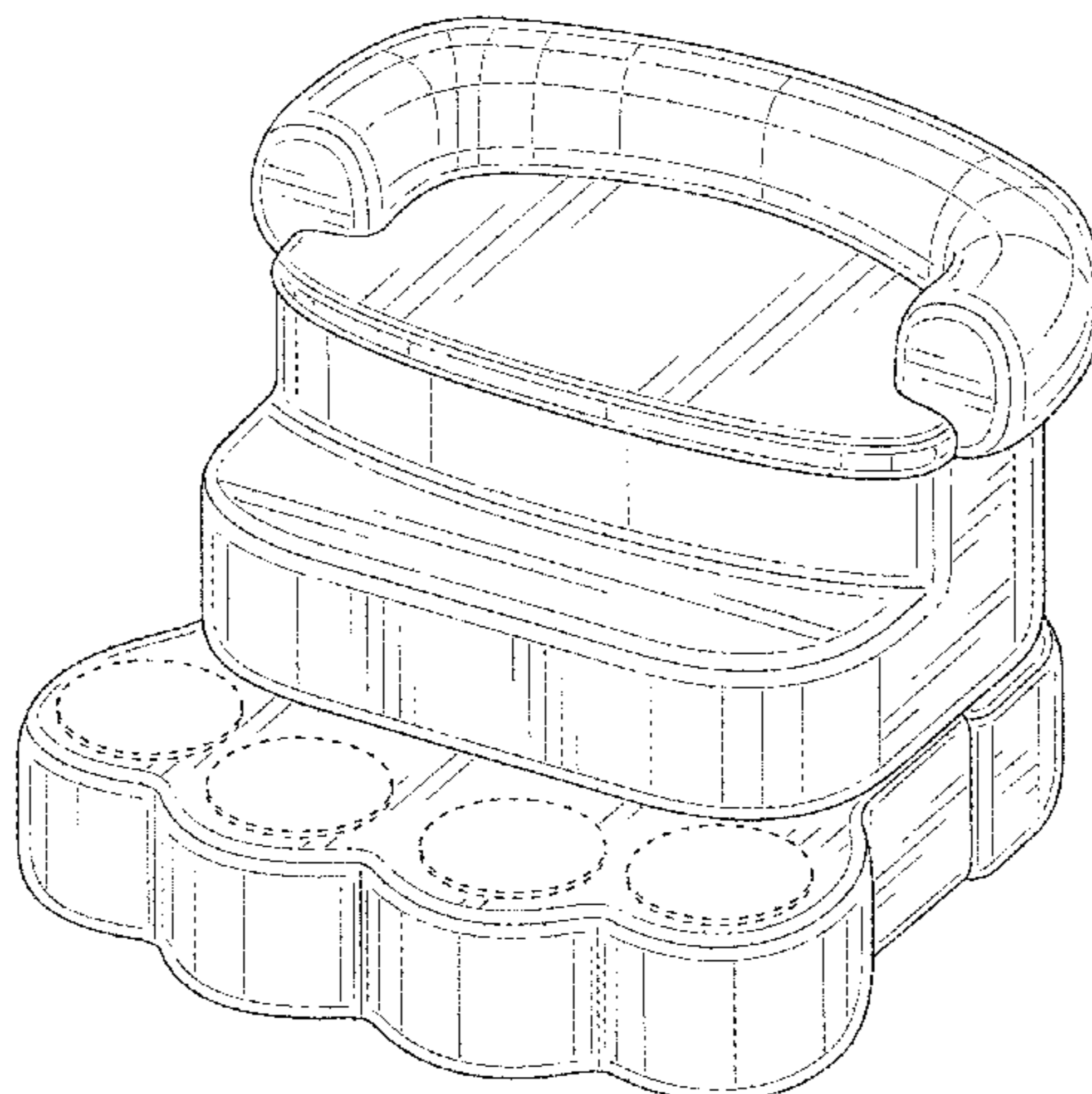
The ornamental design for a pet bed and step system, as shown and described.

2,032,248 A 2/1936 Bins  
3,173,398 A 3/1965 Raymond  
3,989,008 A 11/1976 Neumann  
D295,904 S \* 5/1988 McMahon ..... D30/118  
5,144,911 A 9/1992 Moore et al.  
D351,687 S \* 10/1994 McMahon ..... D30/118  
D383,261 S \* 9/1997 Karsten ..... 119/705  
5,765,502 A 6/1998 Haugh  
D397,740 S 9/1998 Georgevich  
D414,003 S \* 9/1999 Hering ..... D30/118  
6,079,067 A \* 6/2000 Becker ..... A47D 13/08  
5/652  
6,155,207 A 12/2000 LaRocca  
6,851,385 B1 \* 2/2005 Poss ..... A01K 1/0353  
119/28.5  
D503,500 S \* 3/2005 Gaspari ..... D30/118  
6,964,246 B2 11/2005 Wolfington et al.

**DESCRIPTION**

FIG. 1 is a perspective view of a pet bed showing our new design;  
FIG. 2 is a rear view thereof;  
FIG. 3 is a right side view thereof;  
FIG. 4 is a left side view thereof;  
FIG. 5 is atop view thereof  
FIG. 6 is a bottom view thereof; and,  
FIG. 7 is a perspective view of an alternative embodiment of the pet bed.

(Continued)



The broken lines shown in the drawings depict portions of the pet bed that form no part of the claimed design.

**1 Claim, 7 Drawing Sheets**

(56)

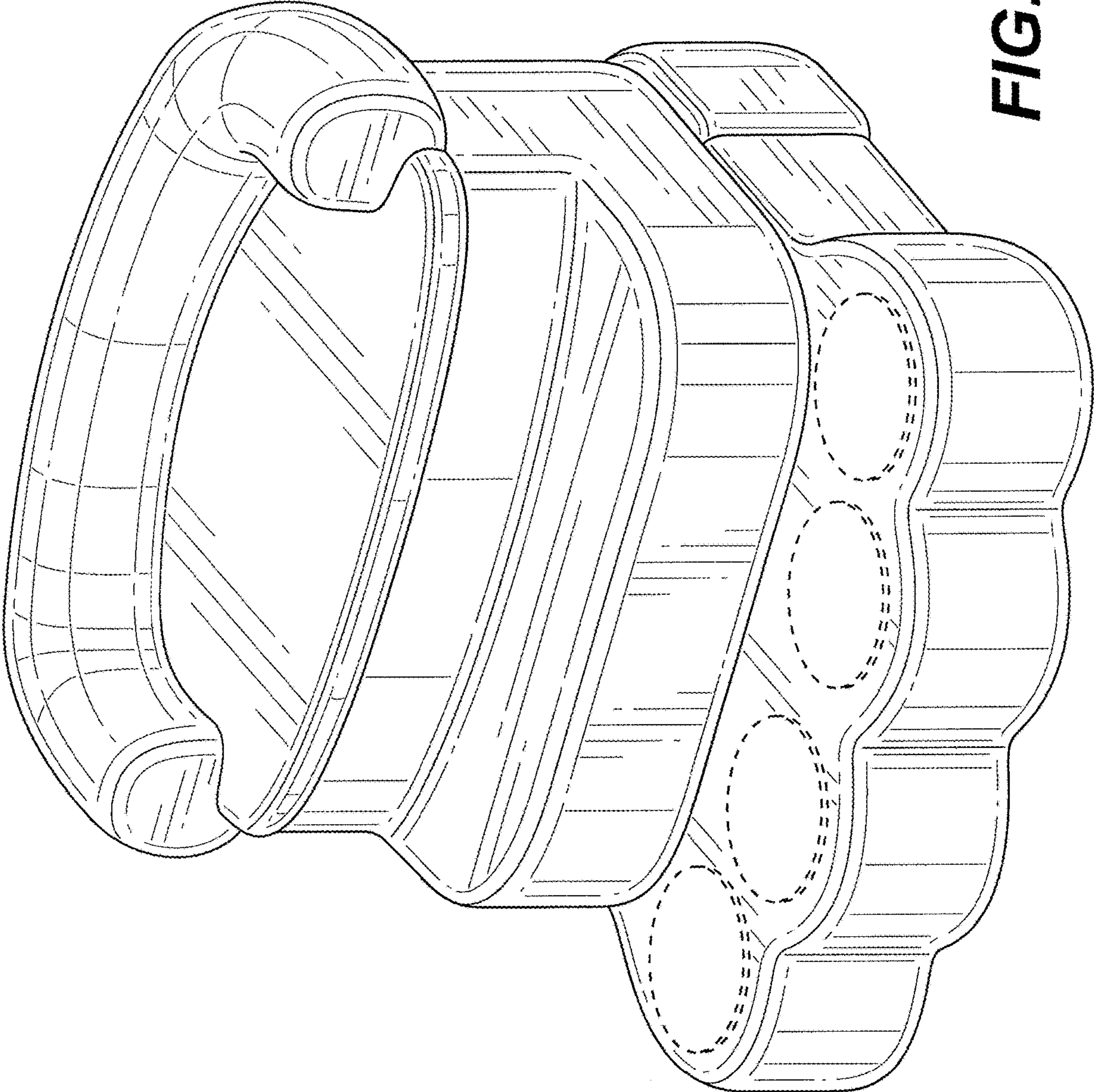
**References Cited**

U.S. PATENT DOCUMENTS

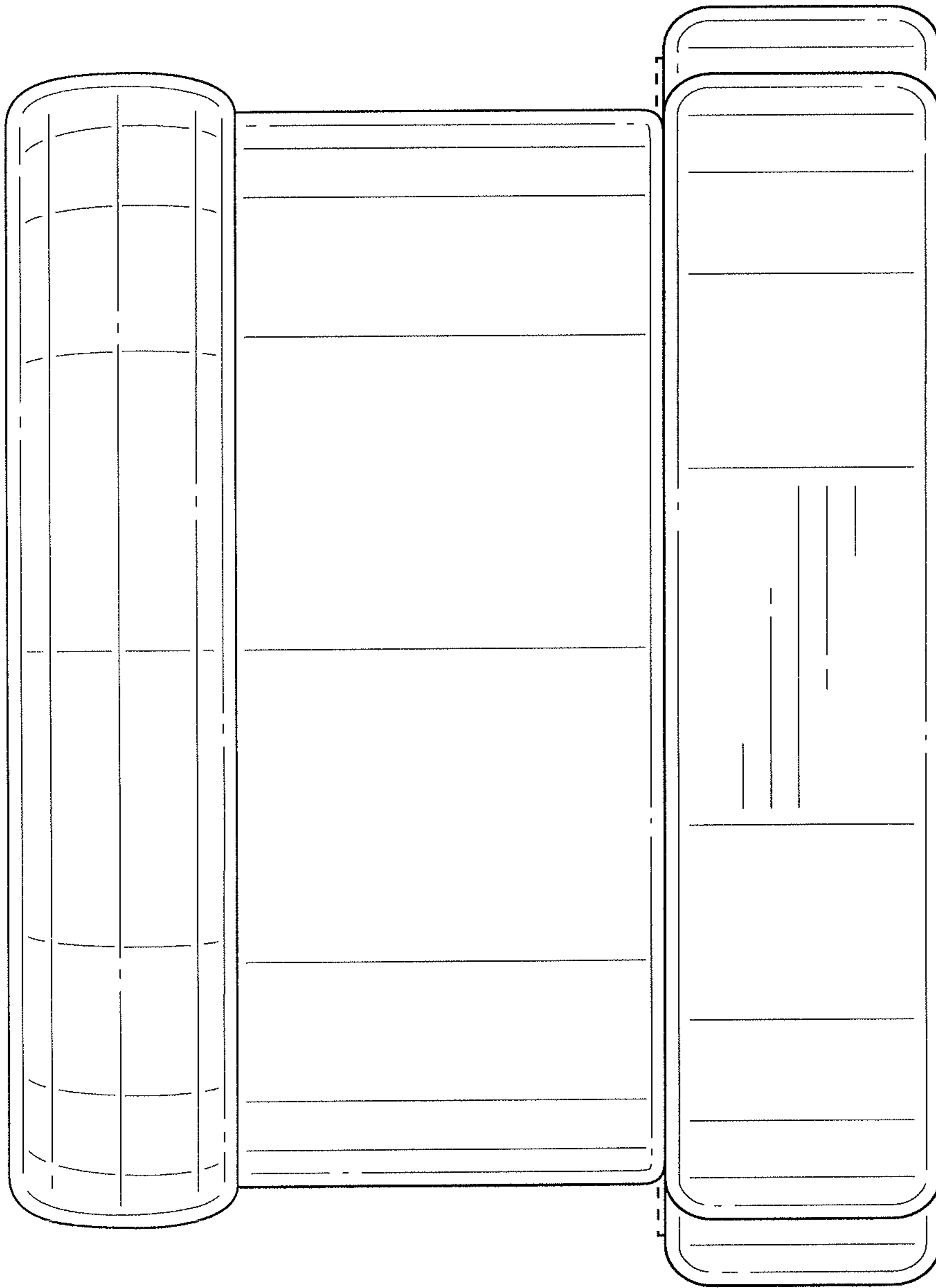
7,373,900	B2	5/2008	Duncan	
D577,158	S *	9/2008	Song .....	D30/118
D637,768	S *	5/2011	Song .....	D30/118
D638,173	S	5/2011	Elmburg et al.	
D638,996	S *	5/2011	Zine .....	D30/118
D640,015	S	6/2011	Birck	
D640,838	S *	6/2011	Zine-Himy .....	D30/118
D653,406	S *	1/2012	Kahn .....	D30/118
D685,531	S	7/2013	Wozniak	
D701,004	S *	3/2014	Maguire .....	D30/129
D725,832	S	3/2015	Coulter	
D740,497	S *	10/2015	Richardson .....	D30/118
D757,374	S *	5/2016	Breit .....	D30/133

D776,368	S *	1/2017	Avalos Sartorio .....	D30/118
D802,227	S *	11/2017	Florey .....	D30/118
D818,652	S *	5/2018	Song .....	D30/118
D818,653	S *	5/2018	Song .....	D30/118
D821,657	S *	6/2018	Jakubowski .....	D30/118
D833,687	S *	11/2018	Song .....	D30/118
D842,555	S *	3/2019	Chen .....	D30/118
D882,185	S *	4/2020	Stein .....	D30/118
10,736,300	B2 *	8/2020	Menayan .....	A01K 1/0353
2002/0117119	A1	8/2002	Brown	
2002/0121243	A1	9/2002	Martyn	
2002/0185072	A1	12/2002	Walpin	
2003/0154669	A1	8/2003	Vandaan	
2004/0194713	A1	10/2004	Dalal et al.	
2004/0244724	A1	12/2004	Runge	
2006/0254526	A1 *	11/2006	Andriola .....	A01K 1/0353 119/28.5
2011/0239946	A1 *	10/2011	Ogle .....	A01K 1/0353 119/28.5
2012/0318206	A1 *	12/2012	van Leeuwen .....	A01K 1/0353 119/416
2013/0047925	A1 *	2/2013	Williams .....	A01K 1/0353 119/28.5
2015/0250135	A1	9/2015	Simon	

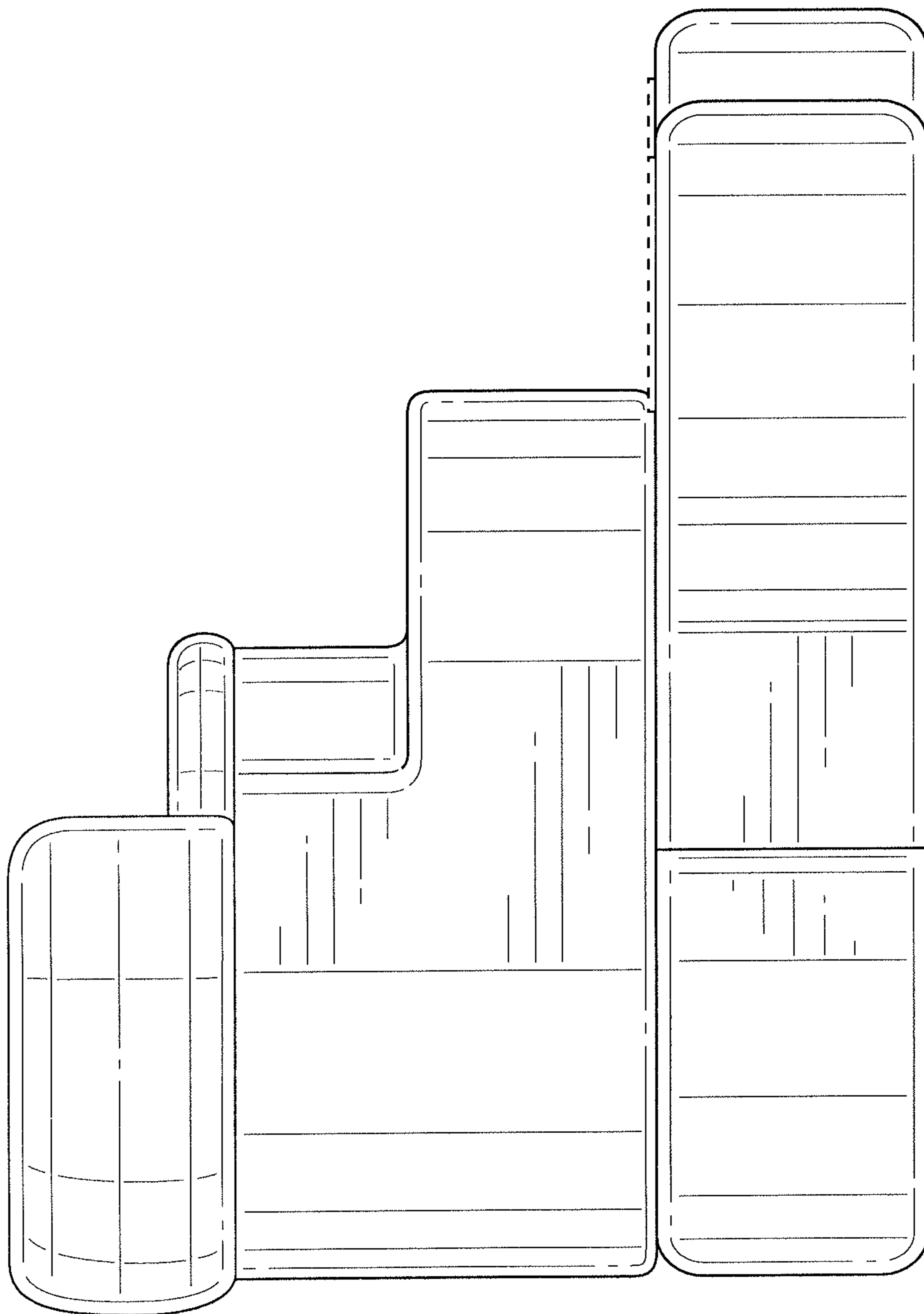
\* cited by examiner



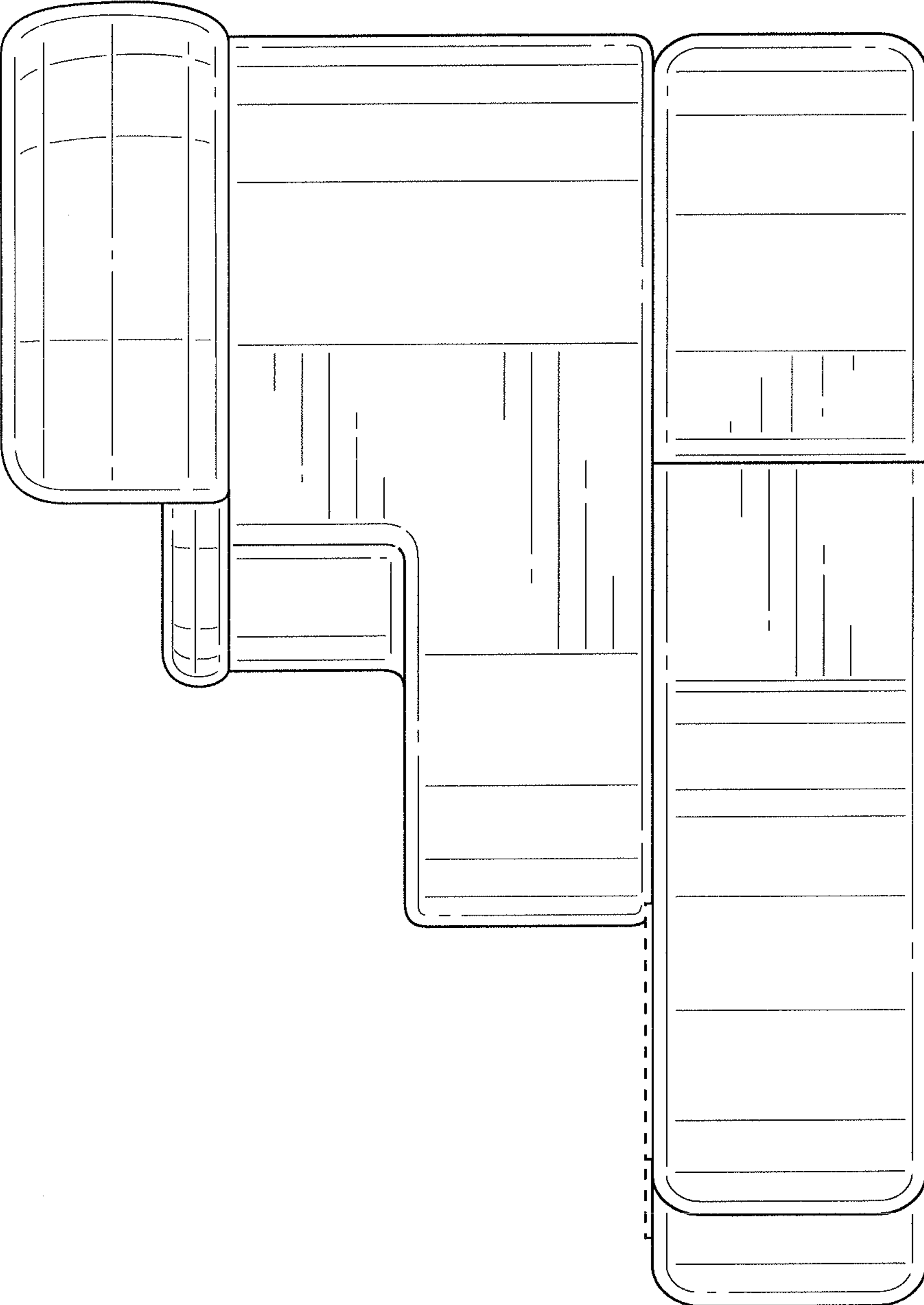
**FIG. 1**



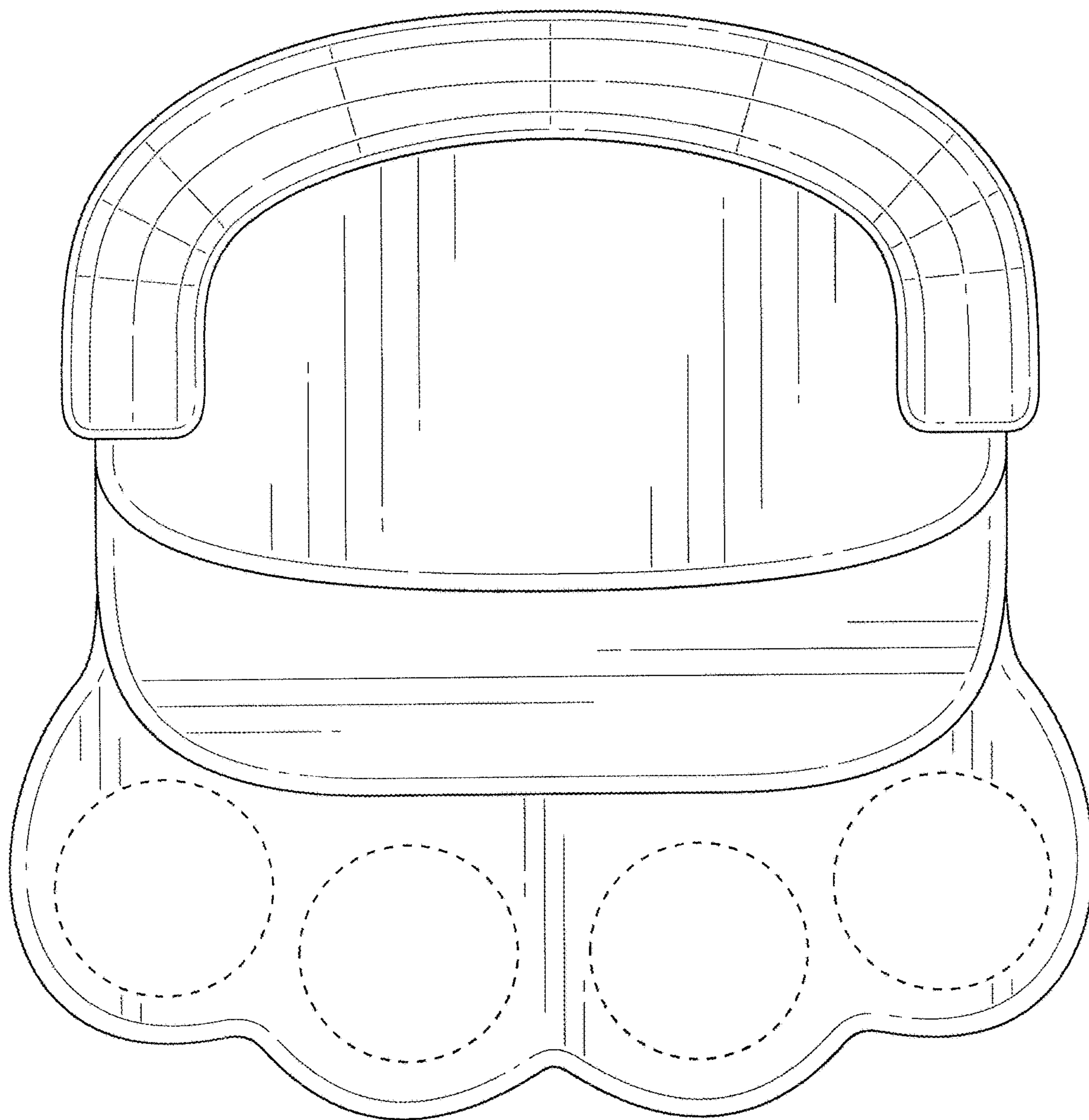
**FIG. 2**



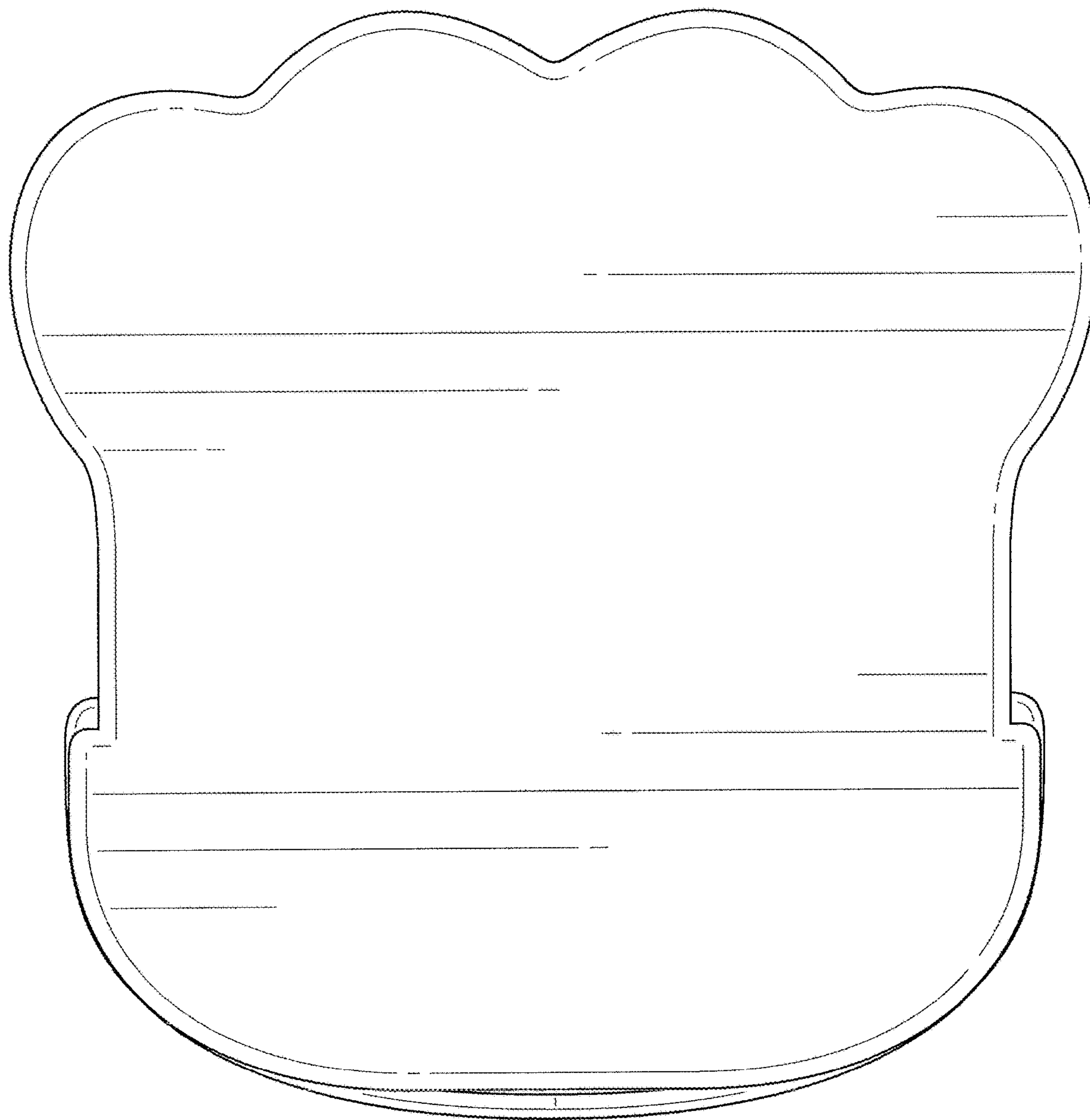
**FIG. 3**



**FIG. 4**

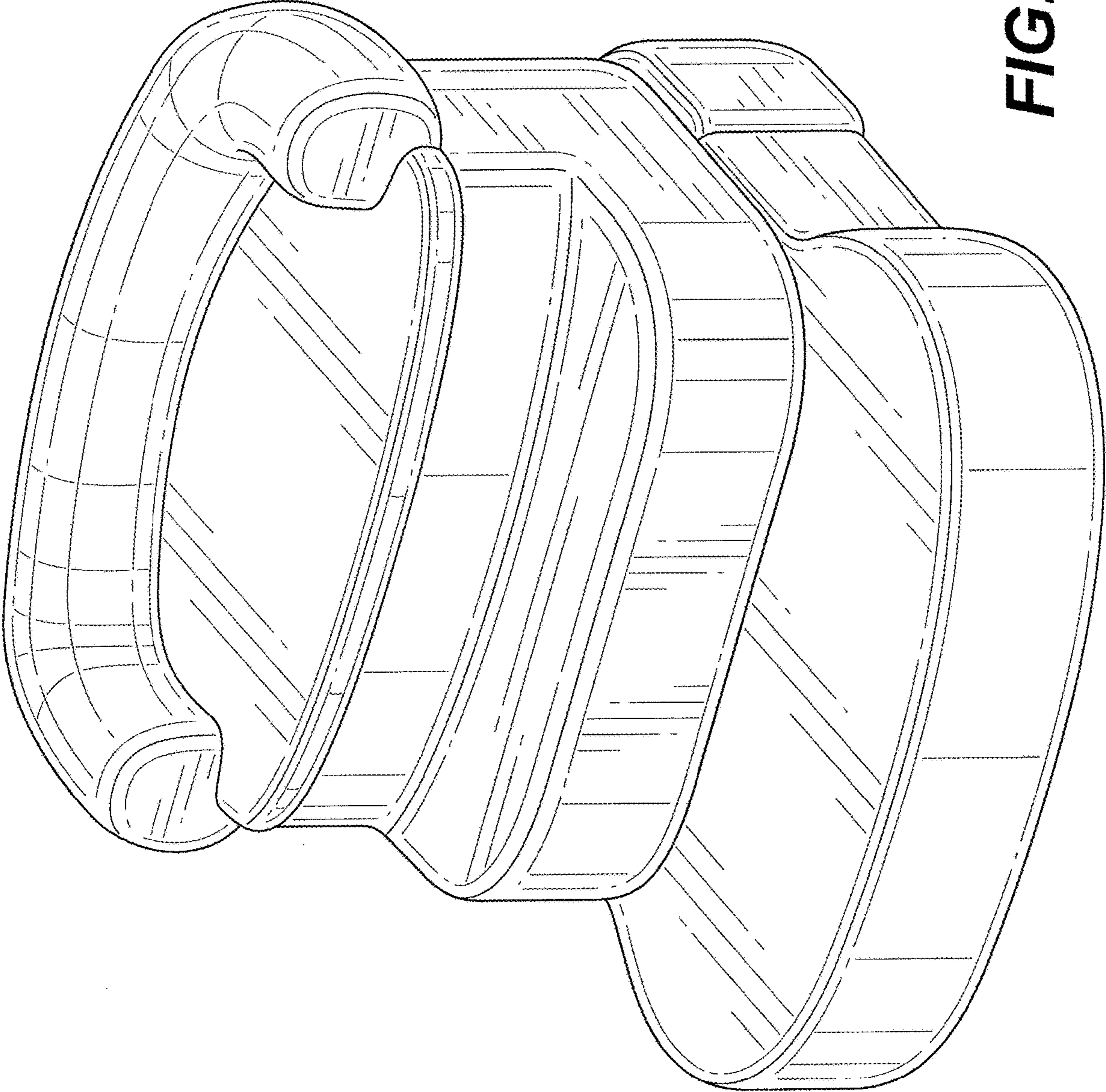


**FIG. 5**



**FIG. 6**





**FIG. 7**