



US00D907855S

(12) **United States Design Patent**
Jung et al.

(10) **Patent No.:** **US D907,855 S**
(45) **Date of Patent:** **** Jan. 12, 2021**

- (54) **COSMETIC COMPACT**
- (71) Applicant: **IT'S HANBUL CO., LTD.**, Seoul (KR)
- (72) Inventors: **Mi Soo Jung**, Seoul (KR); **Joo Young Kim**, Seoul (KR)
- (73) Assignee: **IT'S HANBUL CO., LTD.**, Seoul (KR)
- (**) Term: **15 Years**
- (21) Appl. No.: **29/604,953**
- (22) Filed: **May 22, 2017**
- (51) **LOC (13) Cl.** **28-03**
- (52) **U.S. Cl.**
USPC **D28/78**
- (58) **Field of Classification Search**
USPC D28/64.1, 76-84; D9/503-505, 722, 529,
D9/420, 425, 428, 643; D3/295;
D19/103, 106
CPC A45D 33/006; A45D 33/003; A45D
33/04-33; A45D 33/025; A45D 33/02;
A45D 33/20; A45D 33/22; A45D 33/24;
A45D 33/26; A45D 33/28; A45D 33/18;
A45D 40/22; A45D 40/222; A45D 40/24;
A45D 2200/051-053; A45D
2040/223-228
See application file for complete search history.

D721,853 S * 1/2015 Koo D28/82
D742,070 S * 10/2015 Park D28/82
D744,698 S * 12/2015 Kalyanpur D28/82
(Continued)

OTHER PUBLICATIONS

It's Skin Macaron Lip Balm Strawberry Flavor, Its Skin, reviewed on Jul. 4, 2015 on amazon.com, retrieved on Sep. 4, 2018, retrieved from the Internet URL: <https://www.amazon.com/Skin-Macaron-Balm-Strawberry-Flavor/dp/B00ASFUKC0>.*

Primary Examiner — Michael C Stout
Assistant Examiner — Katelin G Kloberg
(74) *Attorney, Agent, or Firm* — Novick, Kim & Lee, PLLC; Jae Youn Kim; Jihun Kim

(57) **CLAIM**

The ornamental design for a cosmetic compact, as shown and described.

DESCRIPTION

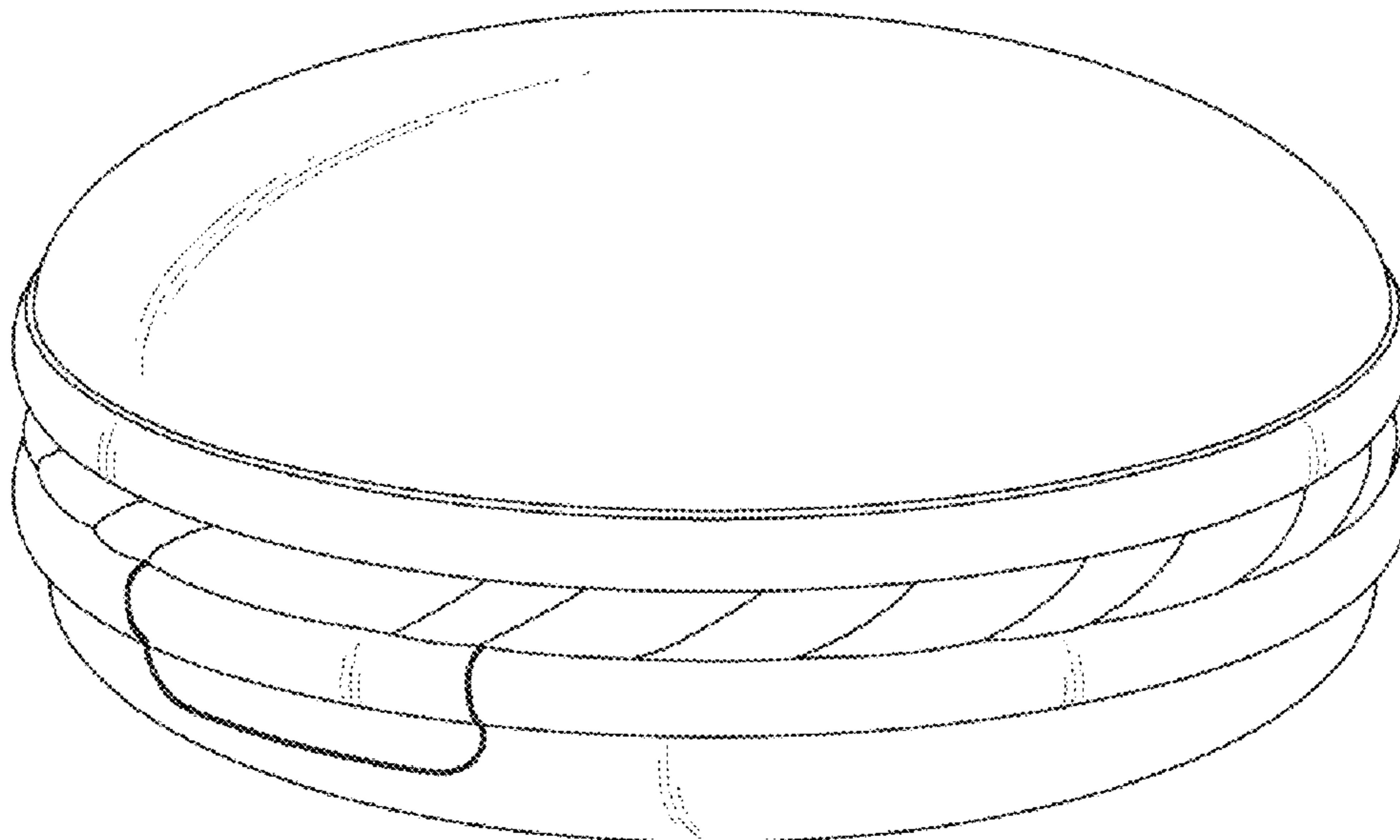
FIG. 1 is a perspective view of a cosmetic compact;
FIG. 2 is a front view of the cosmetic compact of FIG. 1;
FIG. 3 is a right side view of the cosmetic compact of FIG. 1;
FIG. 4 is a left side view of the cosmetic compact of FIG. 1;
FIG. 5 is a rear view of the cosmetic compact of FIG. 1;
FIG. 6 is a top view of the cosmetic compact of FIG. 1;
FIG. 7 is a bottom plan view of the cosmetic compact of FIG. 1;
FIG. 8 is a perspective view of the opened cosmetic compact of FIG. 1;
FIG. 9 is a right side view of the opened cosmetic compact of FIG. 1; and,
FIG. 10 is a left side view of the opened cosmetic compact of FIG. 1.
In the drawings the broken lines represent portions of the article which form no part of the claimed design.

1 Claim, 10 Drawing Sheets

(56) **References Cited**

U.S. PATENT DOCUMENTS

- D298,470 S * 11/1988 Filiz D28/82
- D424,751 S * 5/2000 Kudo D28/78
- D463,628 S * 9/2002 Thorpe D28/82
- D468,058 S * 12/2002 Thorpe D28/82
- D479,366 S * 9/2003 Goswell D28/82
- D655,457 S * 3/2012 In D28/82
- D697,674 S * 1/2014 You D28/82
- D718,528 S * 12/2014 Garavaglia D3/264



(56)

References Cited

U.S. PATENT DOCUMENTS

D817,551 S * 5/2018 Montoli A45D 33/00
D28/82
2002/0014493 A1* 2/2002 Delmon A45D 40/221
220/836
2011/0197913 A1* 8/2011 Chen A45D 33/006
132/316
2017/0086560 A1* 3/2017 Pires A45D 33/32

* cited by examiner

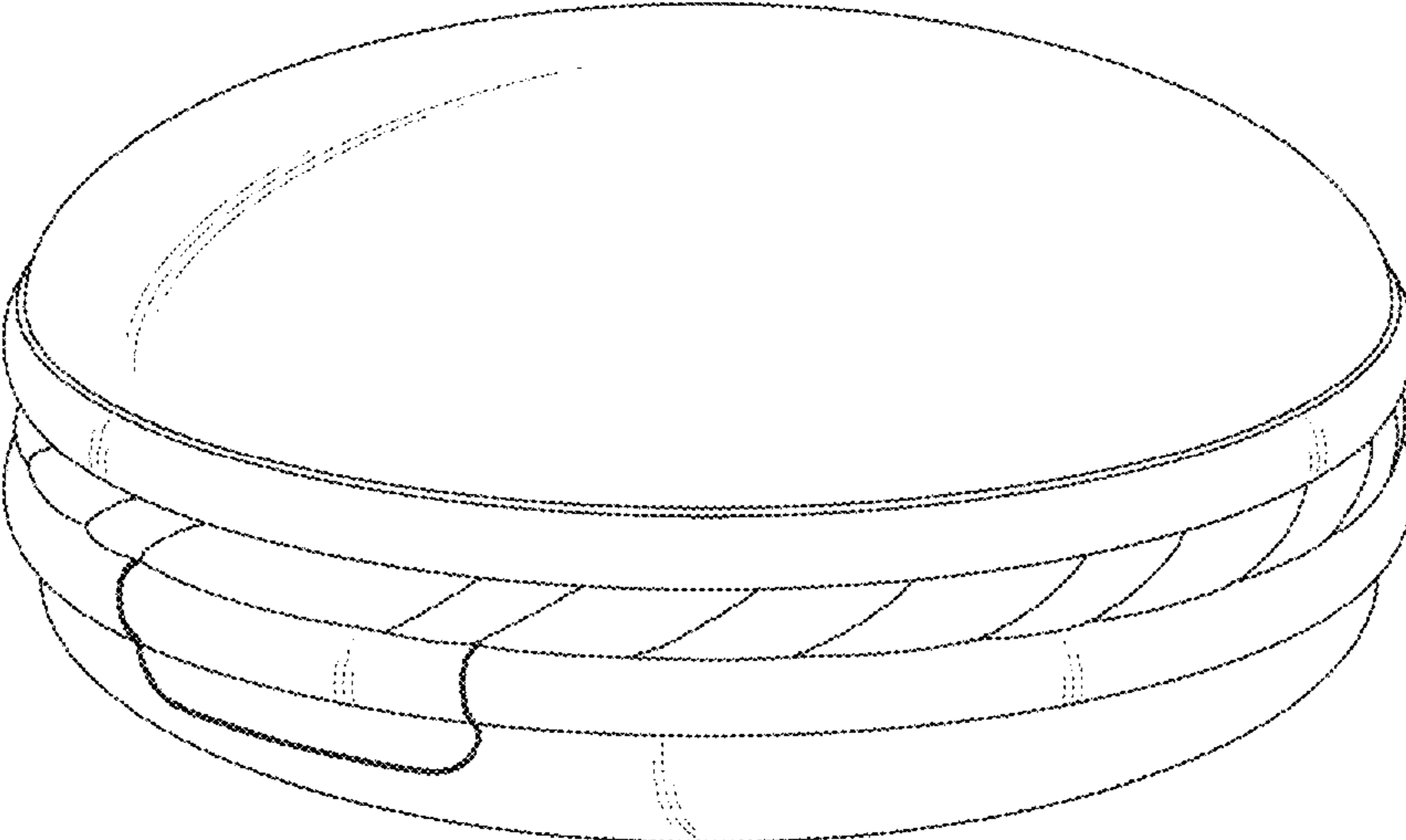


FIG.1

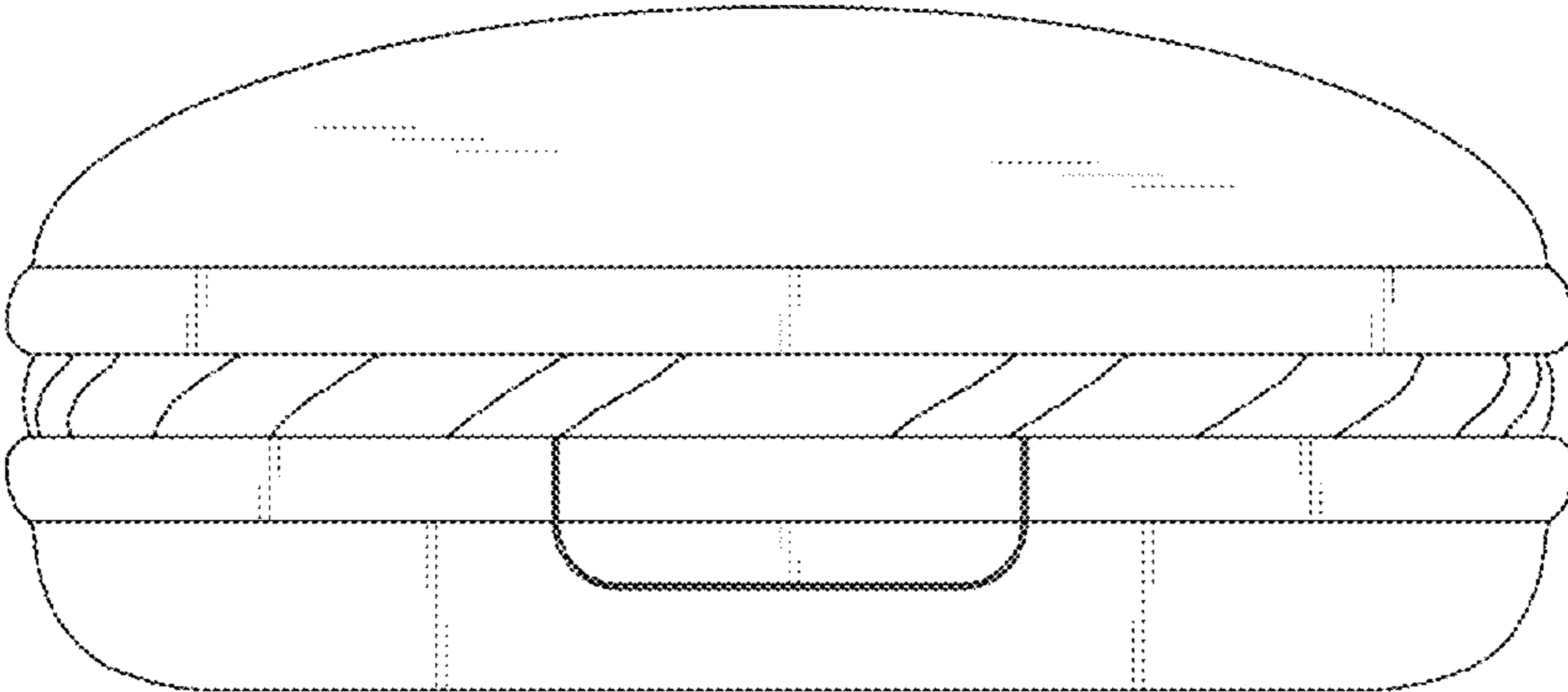


FIG.2

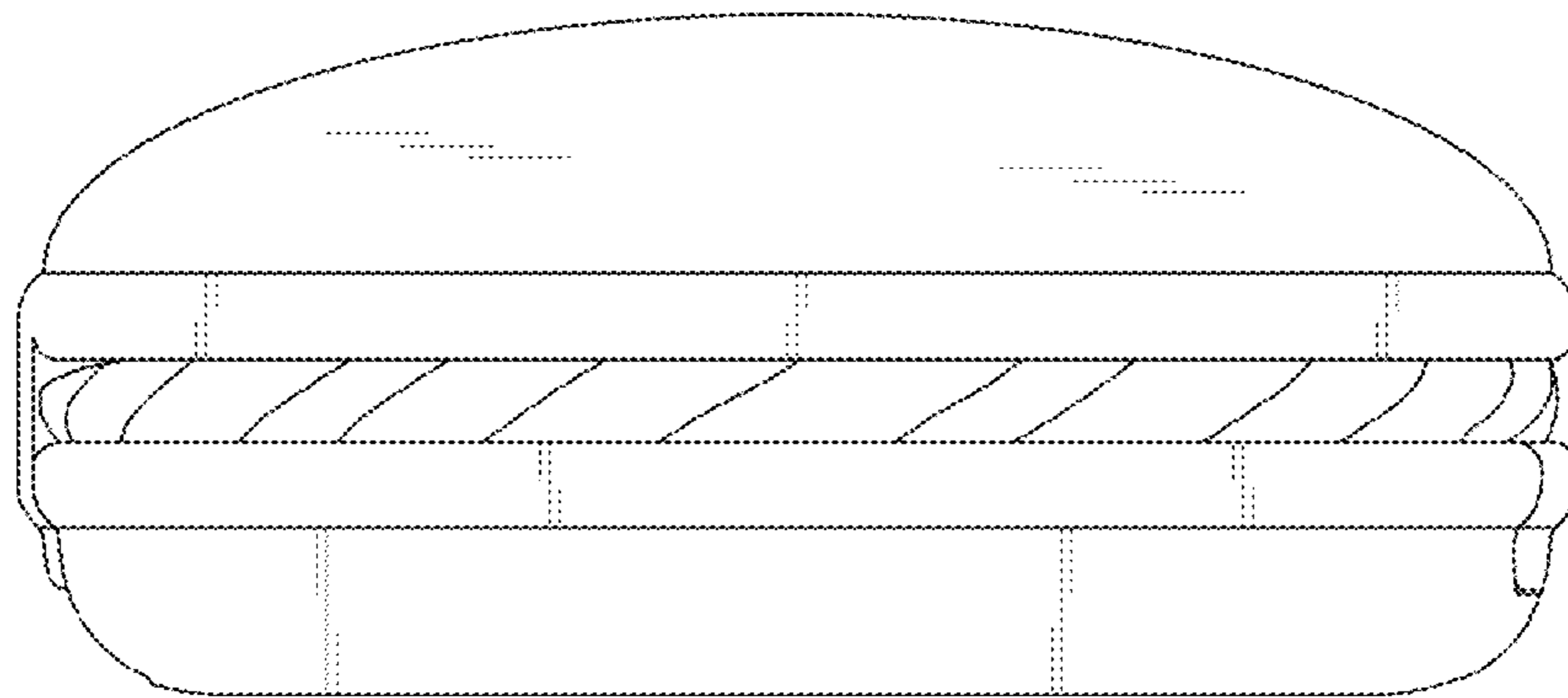


FIG.3

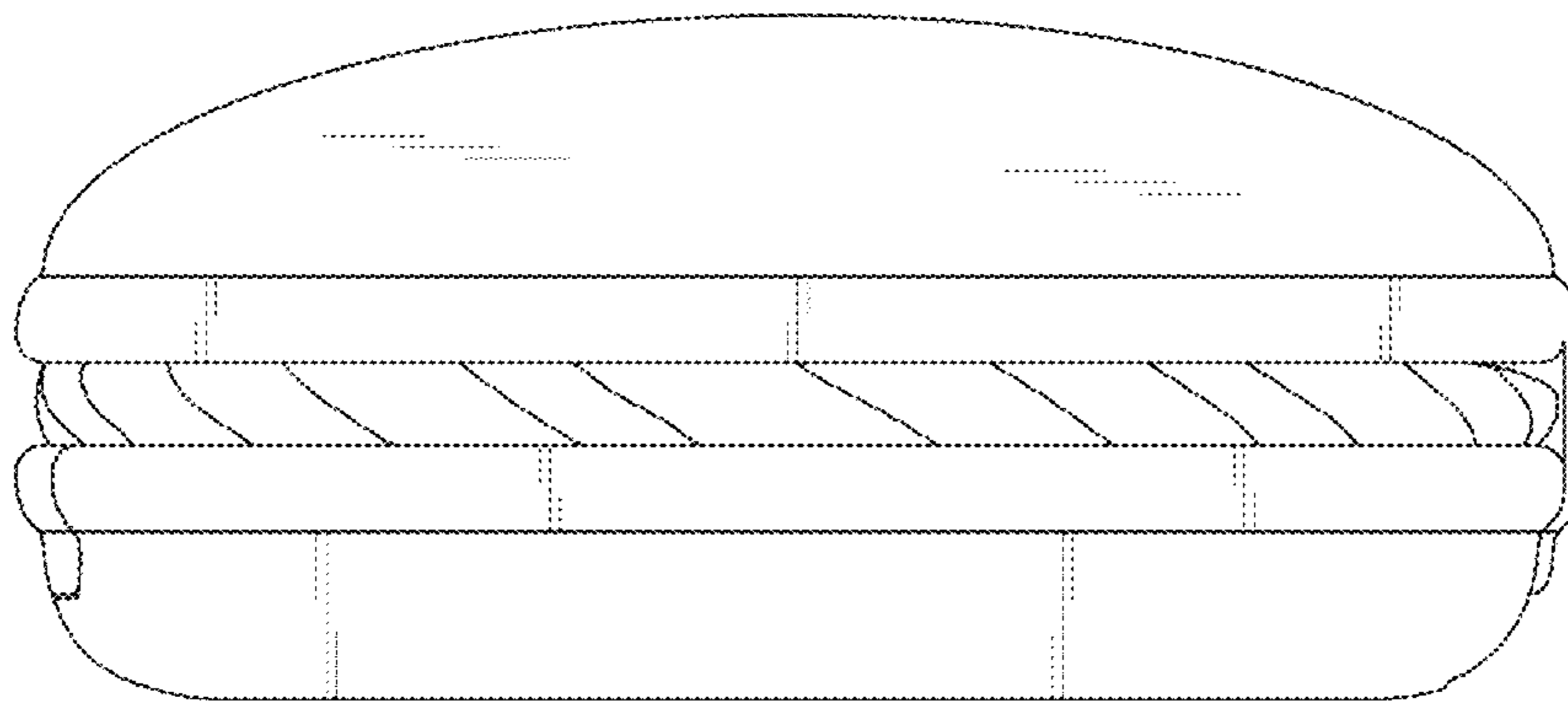


FIG. 4

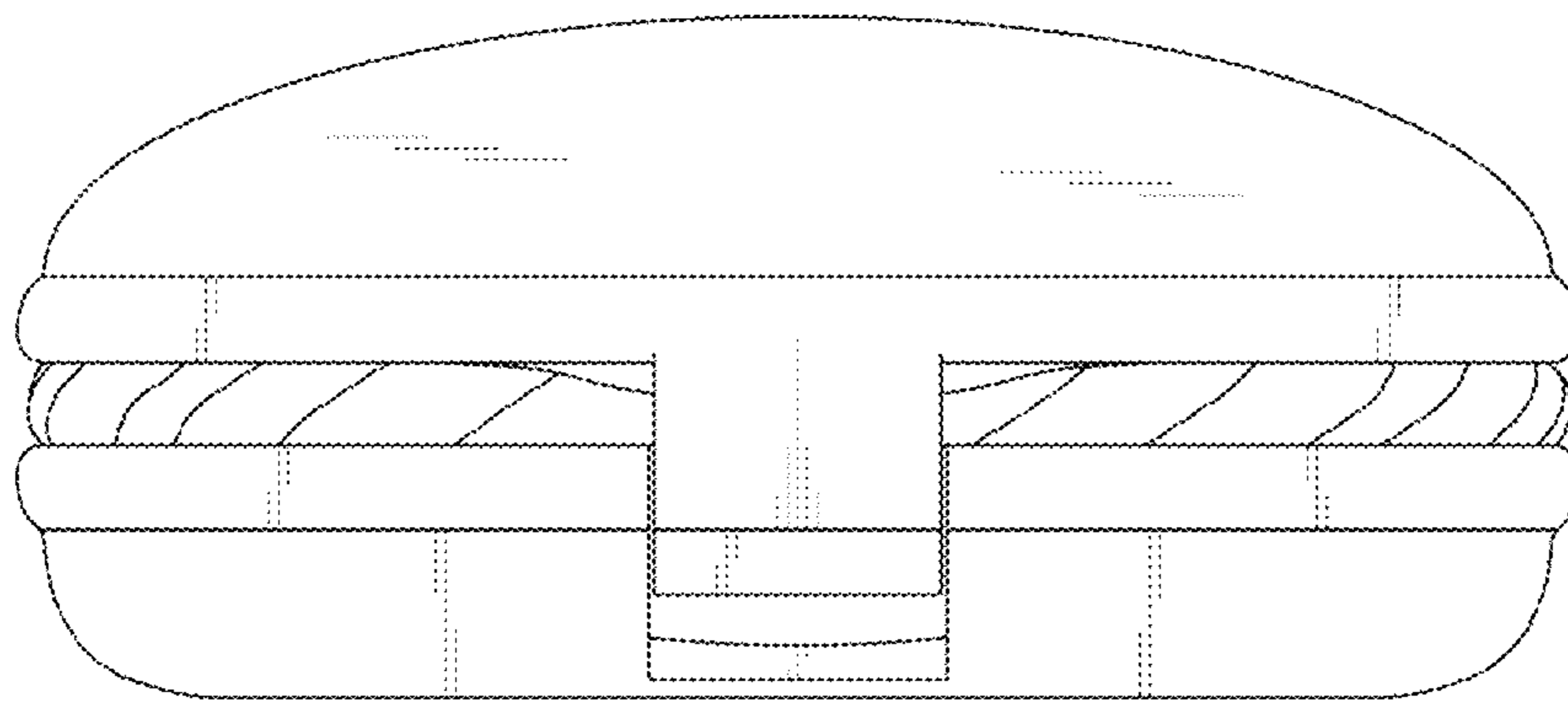


FIG.5

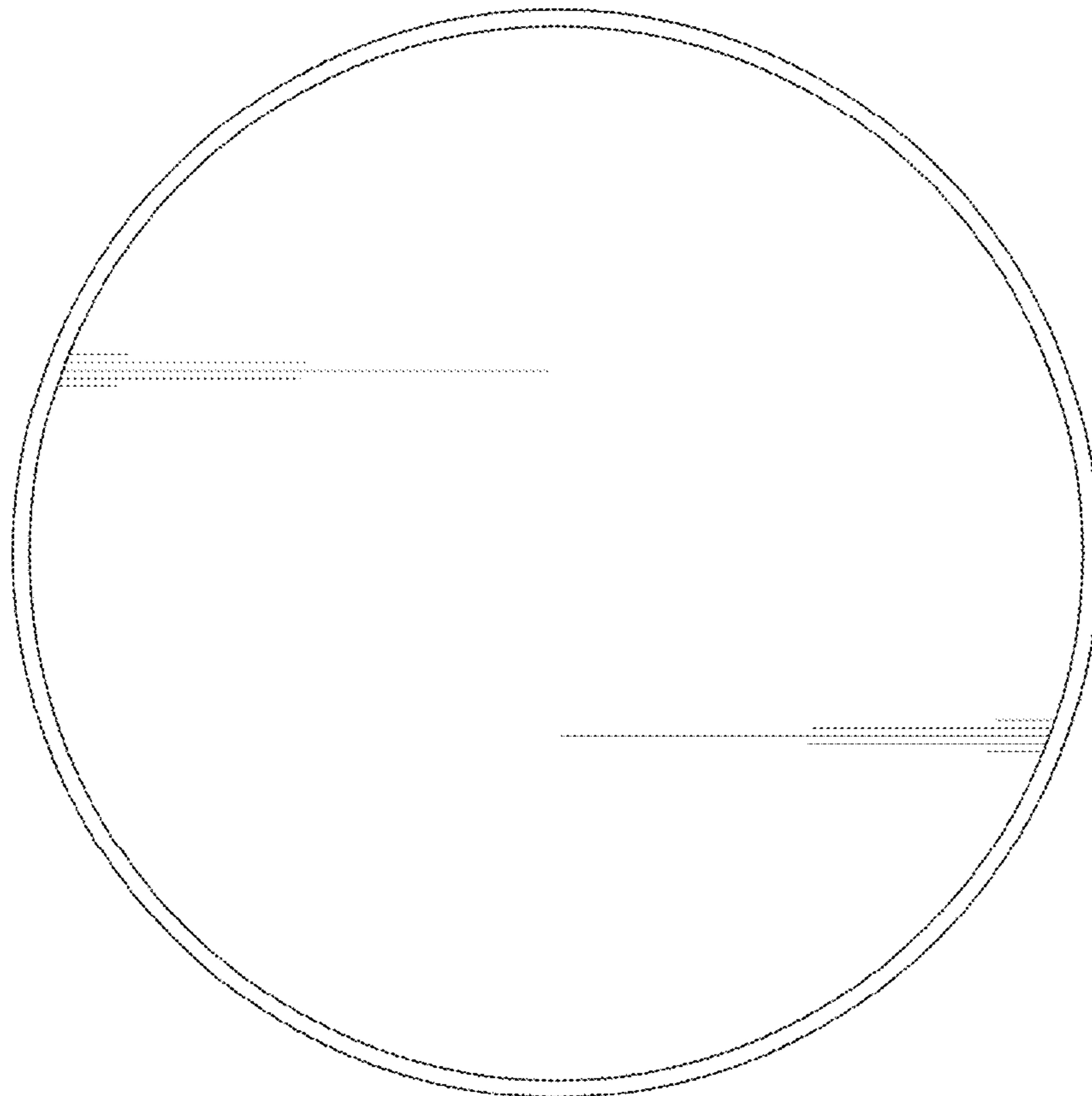


FIG.6

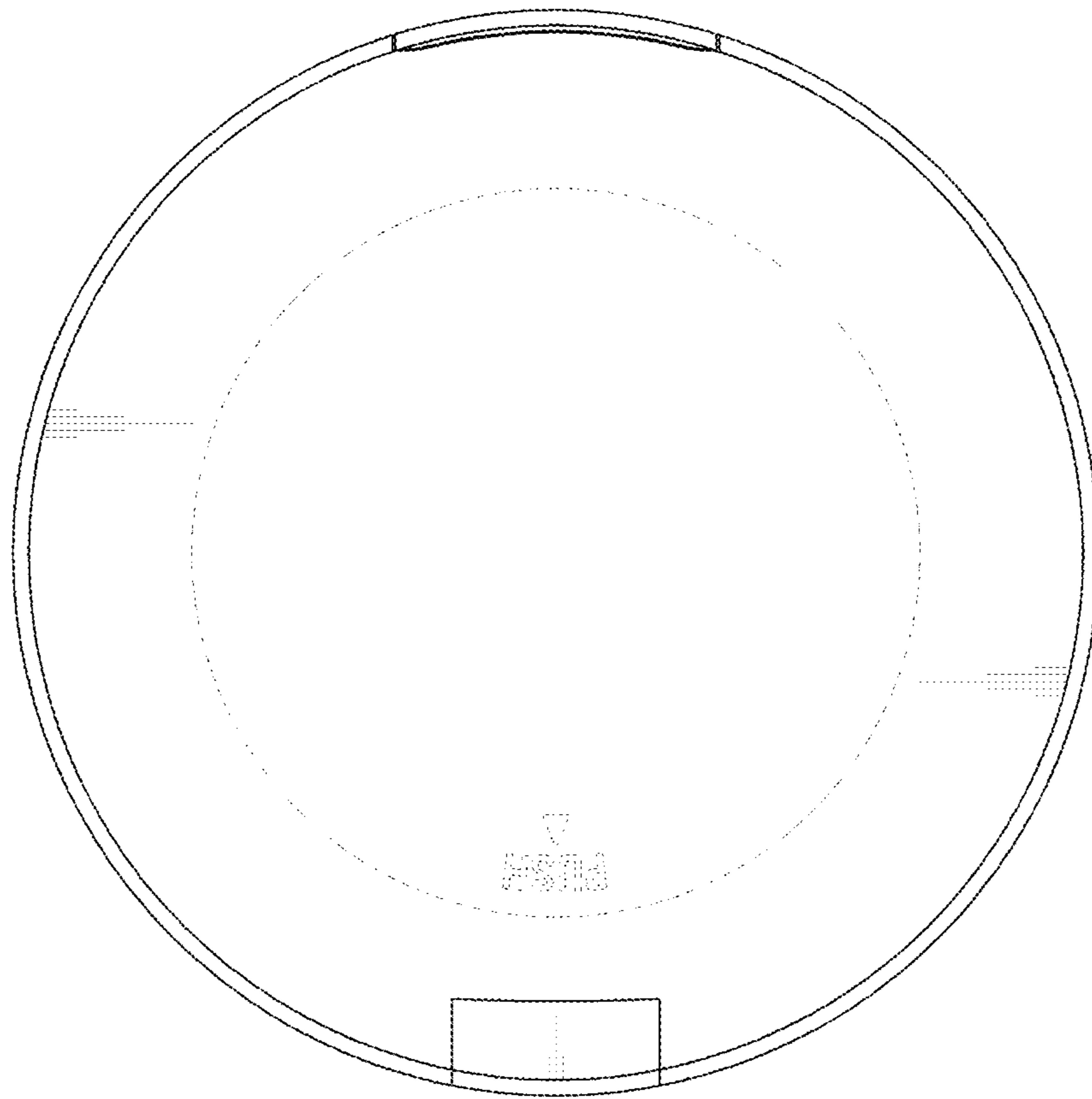


FIG.7

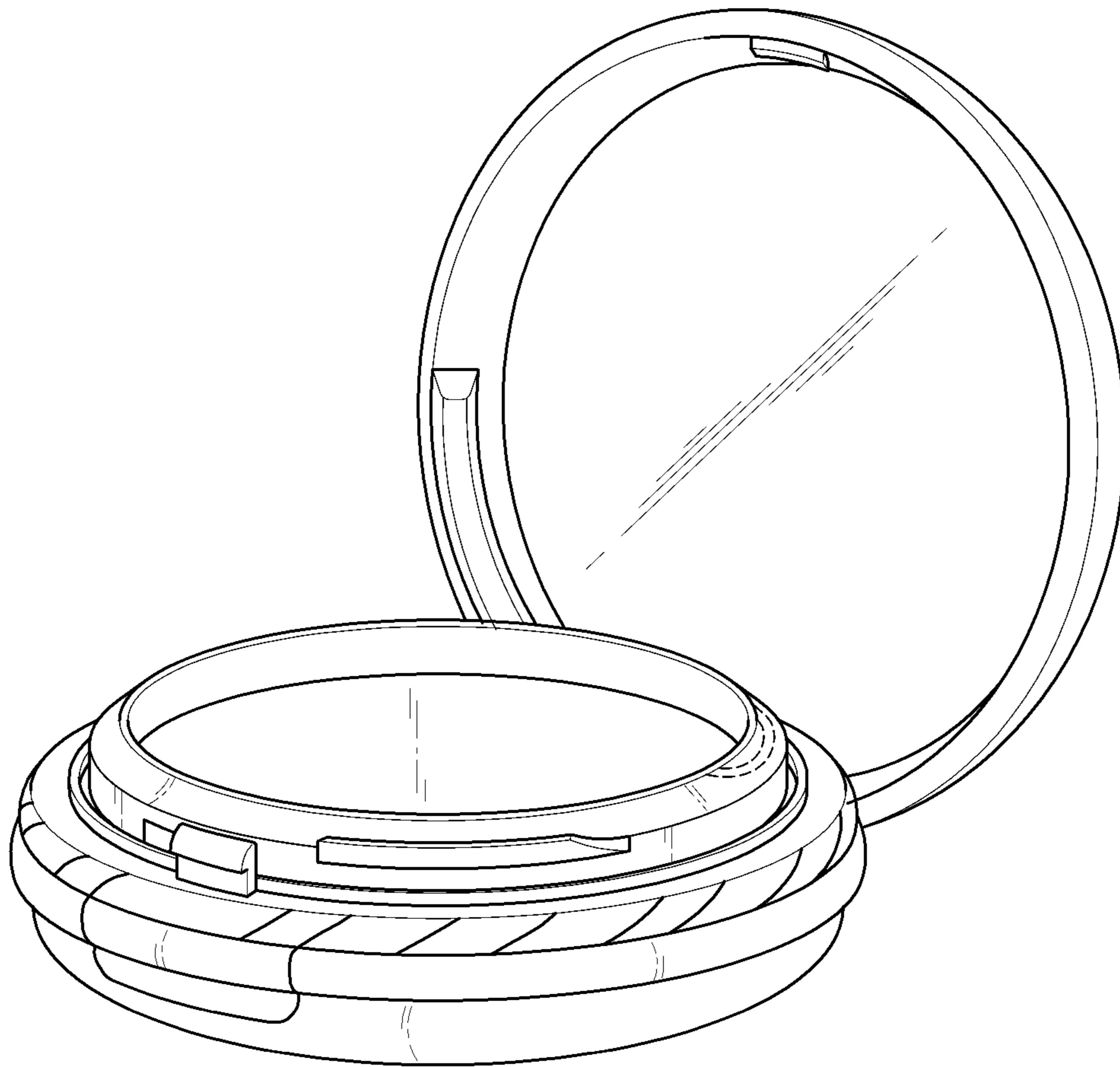


FIG. 8

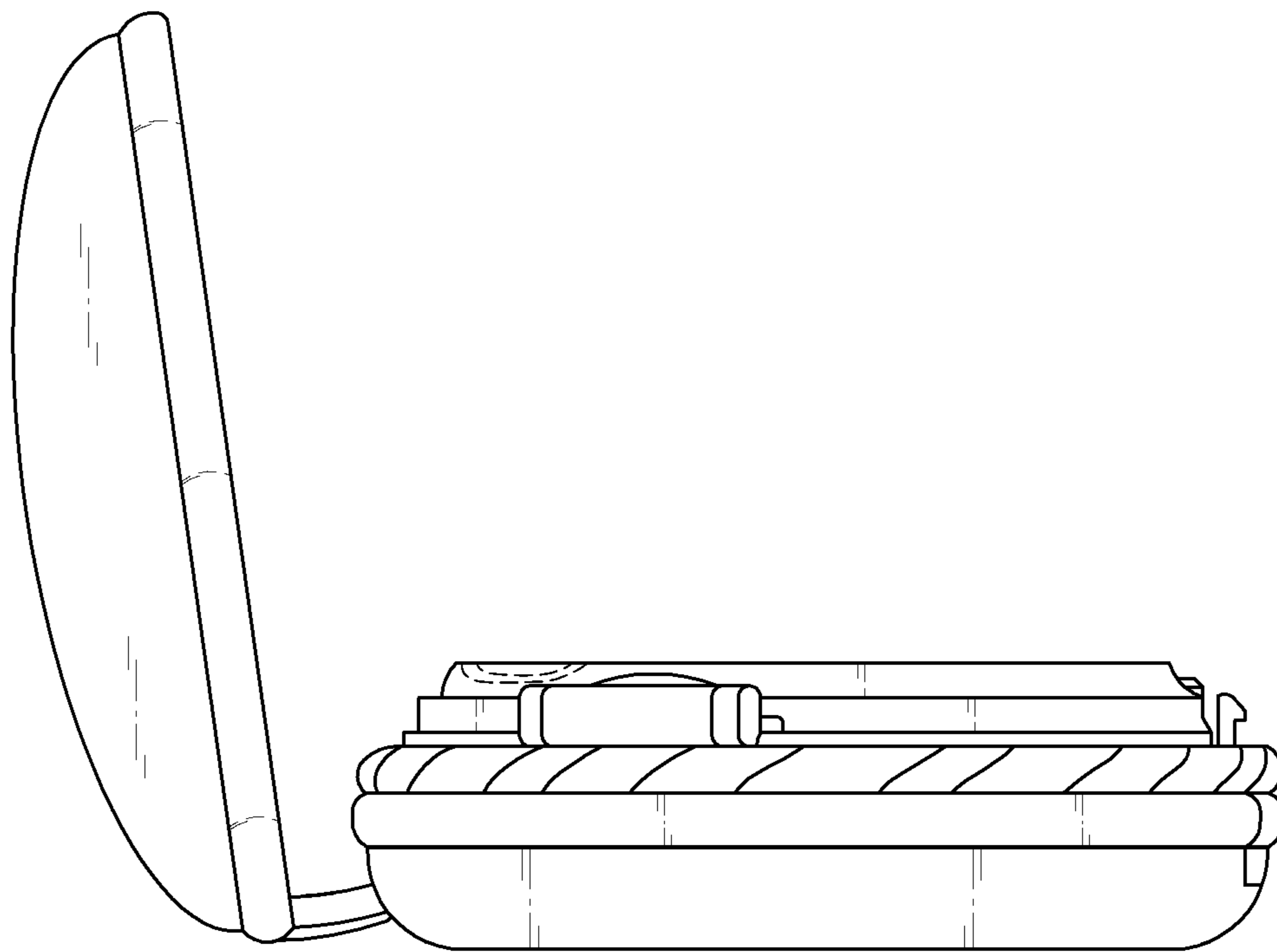


FIG. 9

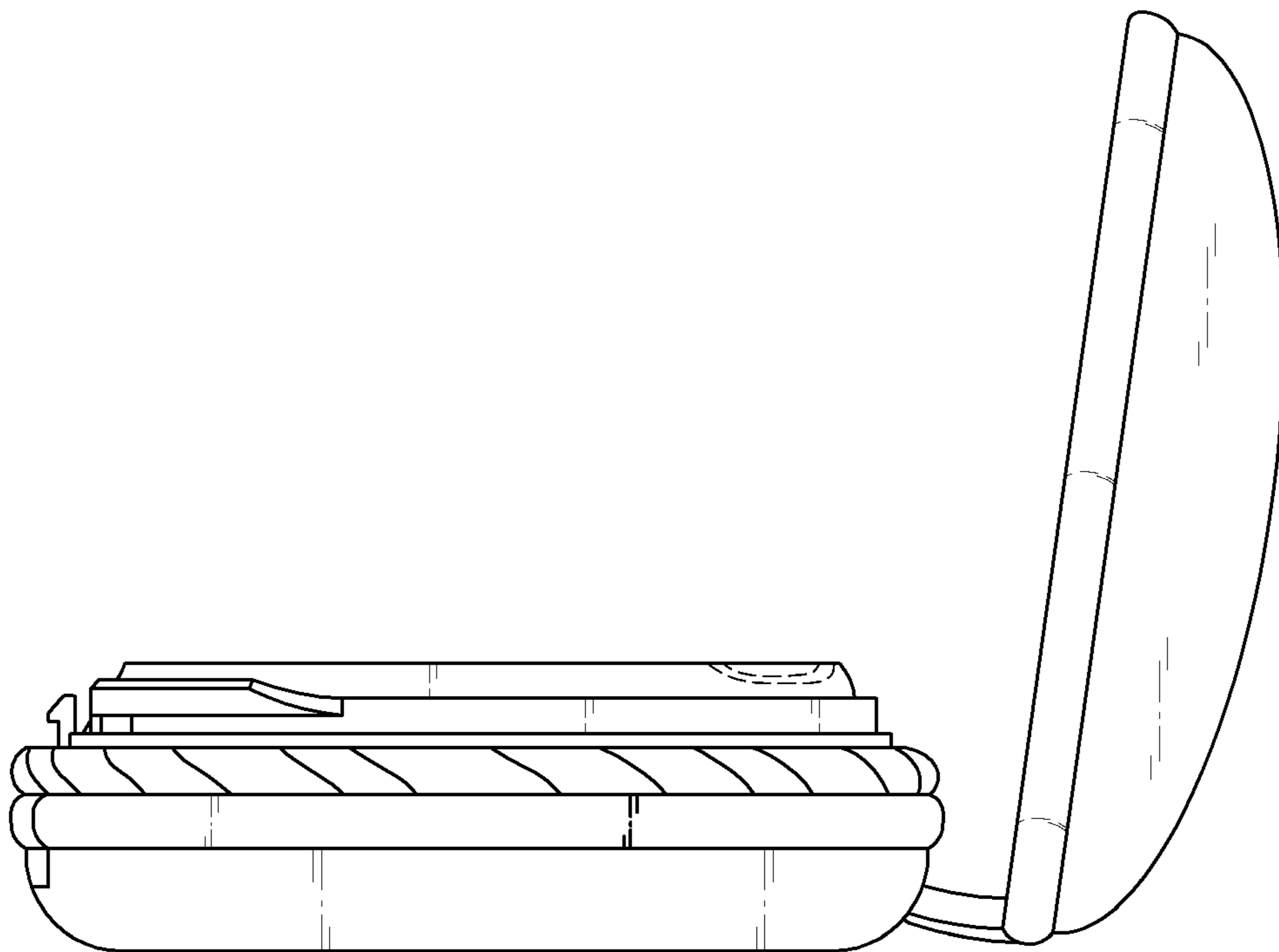


FIG. 10