



US00D907853S

(12) **United States Design Patent** (10) **Patent No.:** **US D907,853 S**
Bessho (45) **Date of Patent:** **** Jan. 12, 2021**

(54) **ELECTRIC TRIMMER**
(71) Applicant: **Panasonic Intellectual Property Management Co., Ltd., Osaka (JP)**
(72) Inventor: **Ushio Bessho, Kyoto (JP)**
(73) Assignee: **Panasonic Intellectual Property Management Co., Ltd., Osaka (JP)**

D561,941 S * 2/2008 Khubani D28/53
D569,552 S * 5/2008 Marquez D28/53
D620,644 S * 7/2010 Lau D28/54
D634,067 S * 3/2011 Stowers D28/53
8,563,904 B2 * 10/2013 Cho H05B 1/0252
219/501
D748,859 S * 2/2016 Boulanger D28/53
D758,663 S * 6/2016 Van Maanen D28/53
D776,877 S * 1/2017 Zadro D28/50
D831,274 S * 10/2018 Gamble D28/53

(Continued)

(**) Term: **15 Years**

FOREIGN PATENT DOCUMENTS

(21) Appl. No.: **29/708,538**

EM 002507442-0003 1/2015

(22) Filed: **Oct. 7, 2019**

Primary Examiner — Jennifer Rivard

(30) **Foreign Application Priority Data**

(74) *Attorney, Agent, or Firm* — Panasonic IP Management; Kerry S. Culpepper

Aug. 26, 2019 (JP) 2019-018833

(51) **LOC (13) Cl.** **28-03**

(52) **U.S. Cl.**
USPC **D28/53**

(58) **Field of Classification Search**

USPC D28/49-54

CPC B26B 19/00-08; B26B 19/10-12; B26B

19/20-24; B26B 19/26-265; B26B

19/38-3826; B26B 19/3873-3893; B26B

19/42

See application file for complete search history.

(56) **References Cited**

U.S. PATENT DOCUMENTS

D400,303 S * 10/1998 Tanaka D28/49
D476,444 S * 6/2003 Hara D28/50
D485,013 S * 1/2004 Leventhal D28/52
D488,260 S * 4/2004 Khubani D28/53
D497,035 S * 10/2004 Khubani D28/53
D509,026 S * 8/2005 Leventhal D28/53
D513,092 S * 12/2005 Ajootian D28/53
D516,245 S * 2/2006 Ohta D28/49
D554,291 S * 10/2007 Darnell D19/163

(57) **CLAIM**

I claim the ornamental design for an electric trimmer, as shown and described.

DESCRIPTION

FIG. 1 is a front perspective view of an electric trimmer of the present invention;

FIG. 2 is a front view thereof;

FIG. 3 is a rear view thereof;

FIG. 4 is a first side view thereof;

FIG. 5 is a second side view thereof;

FIG. 6 is a top view thereof;

FIG. 7 is a bottom view thereof;

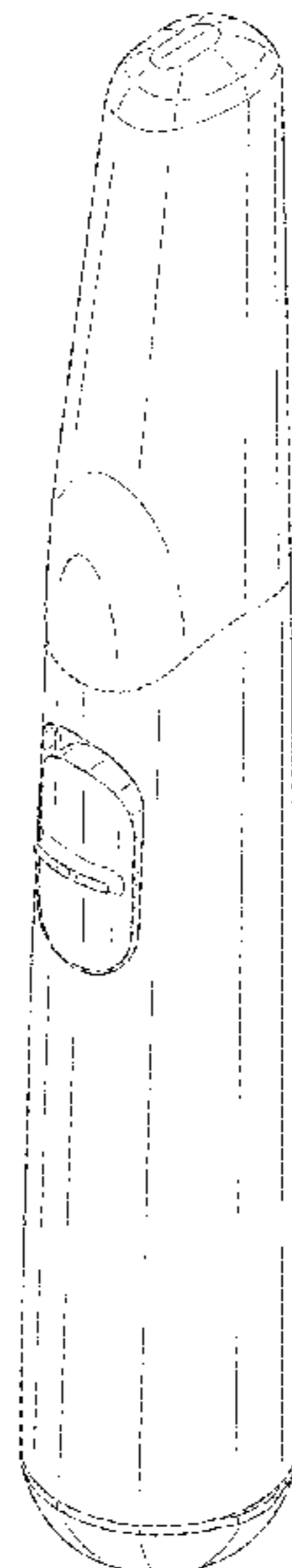
FIG. 8 is an end view of the sectioned part taken along the line 8-8 in FIG. 2 with the internal parts being omitted;

FIG. 9 is an end view of the sectioned part taken along the line 9-9 in FIG. 2 with the internal parts being omitted; and,

FIG. 10 is an exploded, front perspective view.

The broken lines in the drawings represent portions of the electric trimmer that form no part of the claimed design.

1 Claim, 10 Drawing Sheets



(56)

References Cited

U.S. PATENT DOCUMENTS

D889,043	S	*	6/2020	Stowers	D28/51
D891,701	S	*	7/2020	Baratelli	D28/53
D894,490	S	*	8/2020	Baratelli	D28/53
D898,288	S	*	10/2020	Stowers	D28/51
2005/0262696	A1	*	12/2005	Ouchi	B26B 19/063 30/50
2006/0156551	A1	*	7/2006	Khubani	B26B 19/3893 30/130

* cited by examiner

FIG. 1

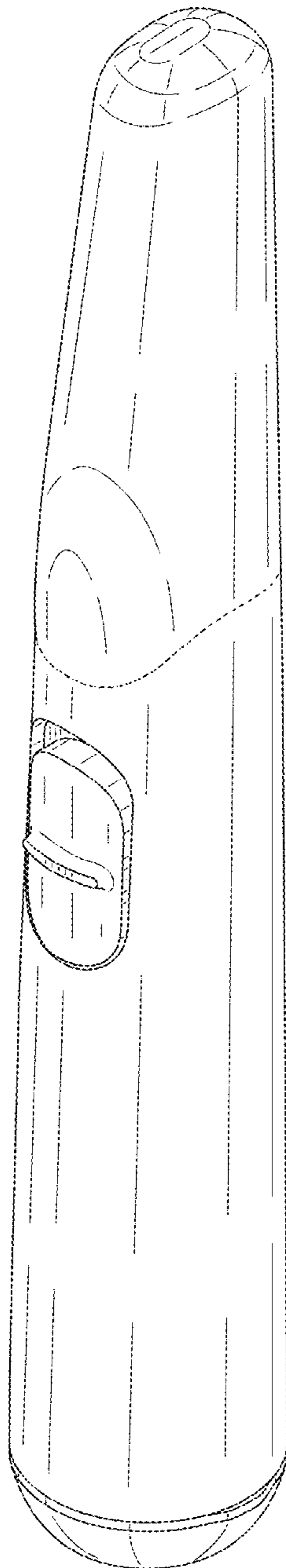


FIG. 2

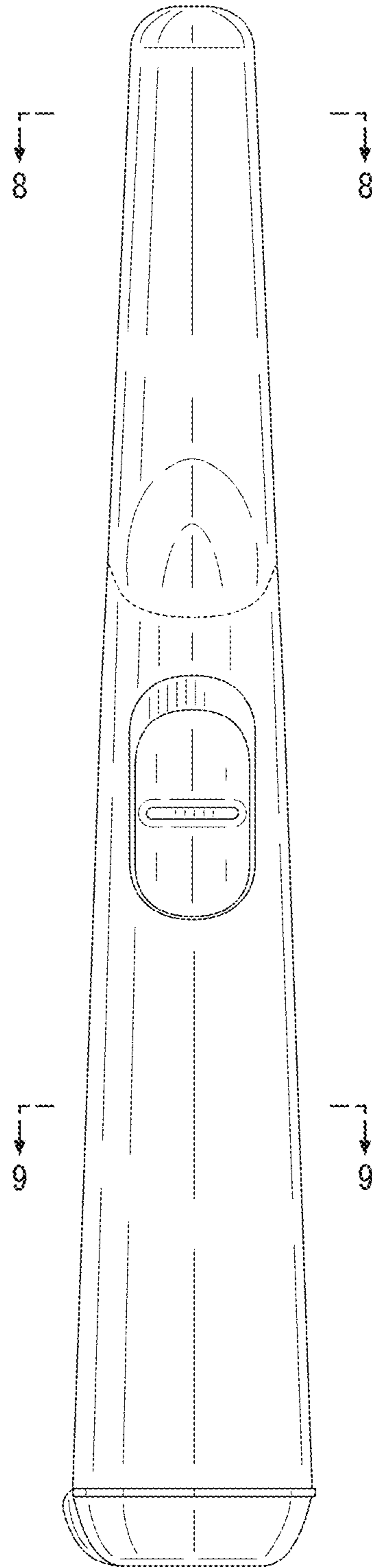


FIG. 3

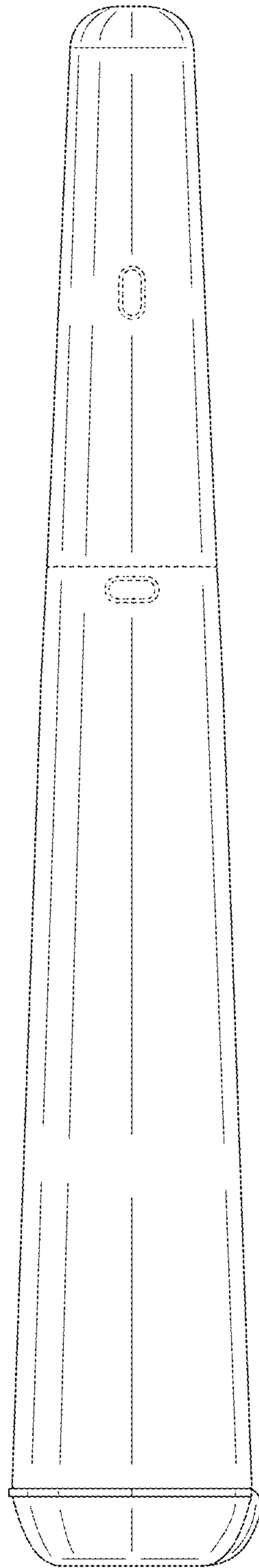


FIG. 4

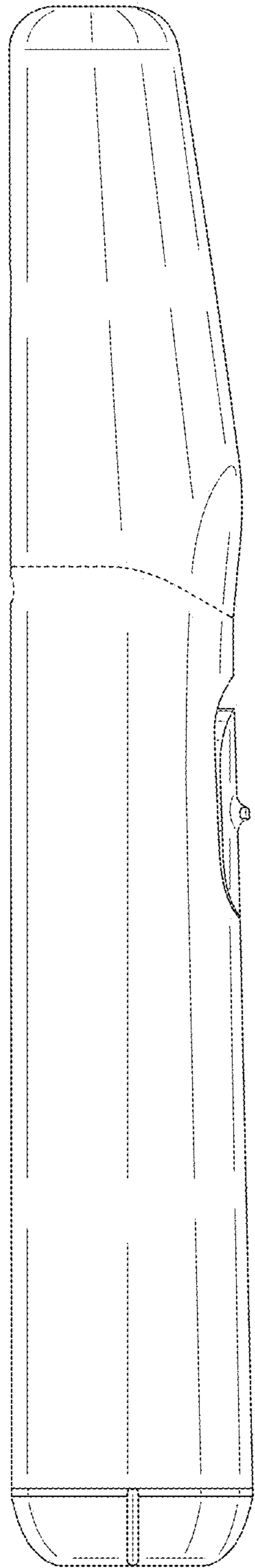


FIG. 5

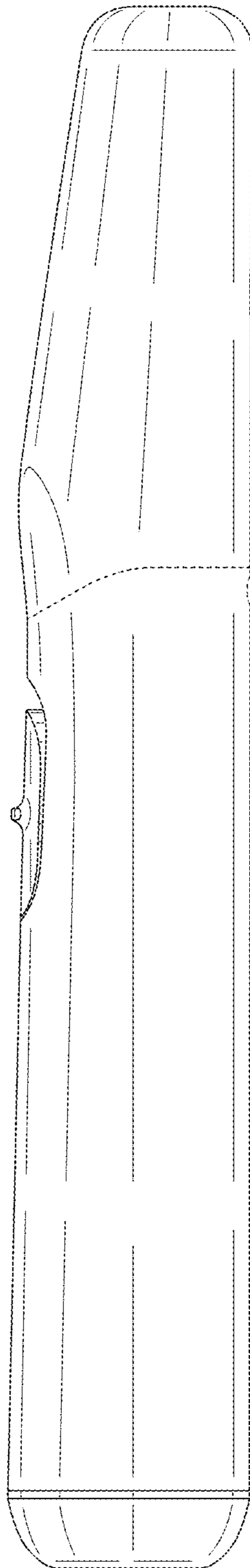


FIG. 6

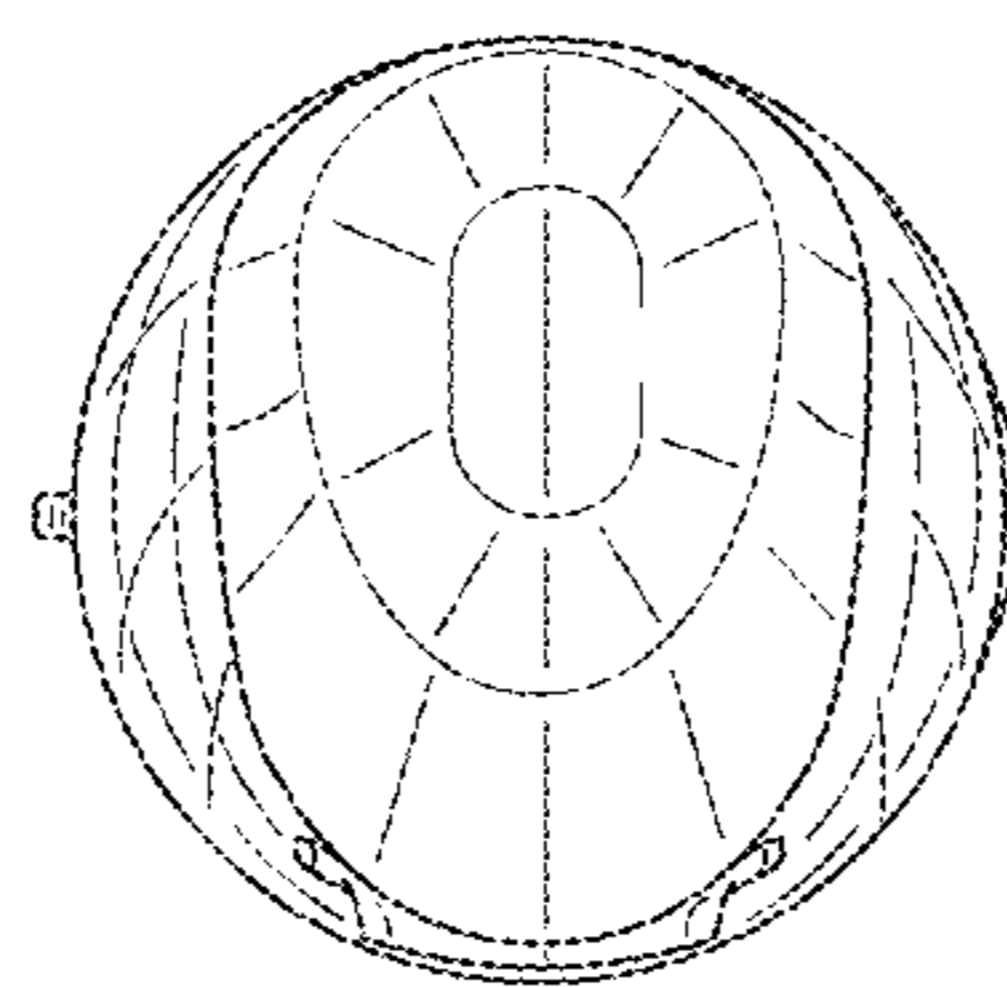


FIG. 7

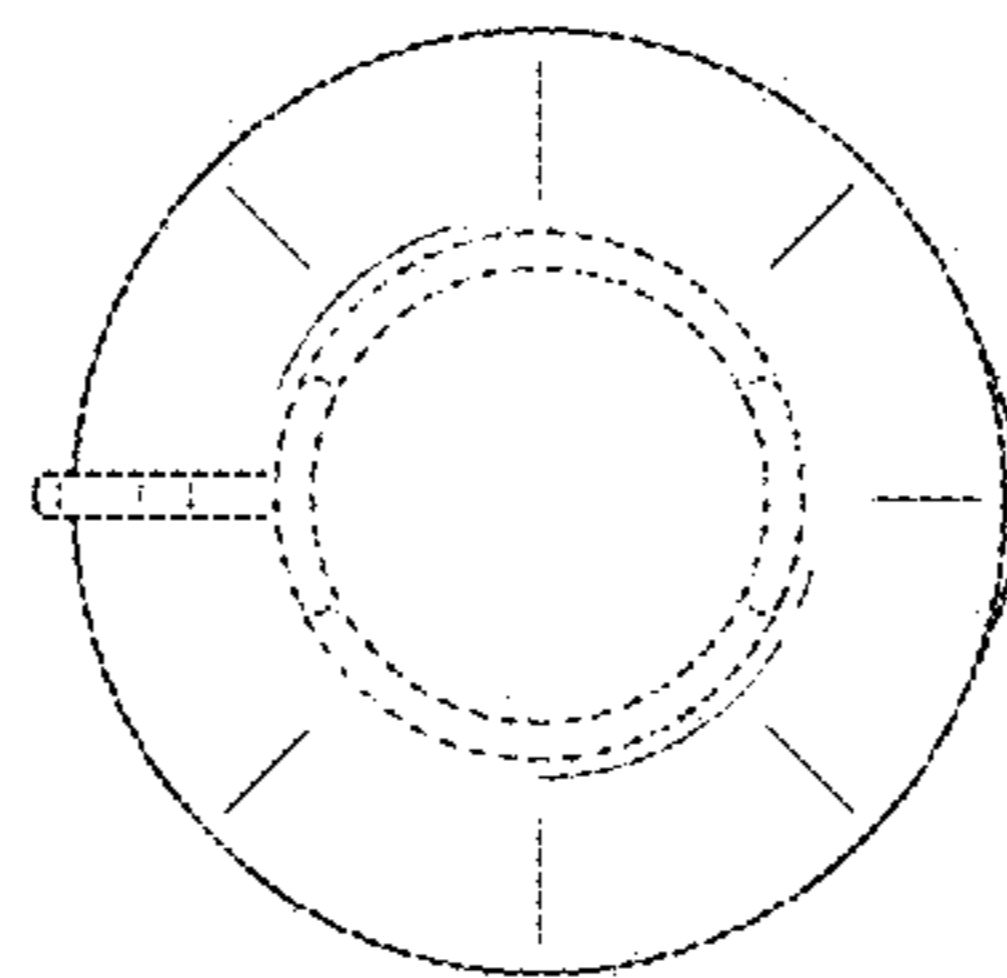


FIG. 8

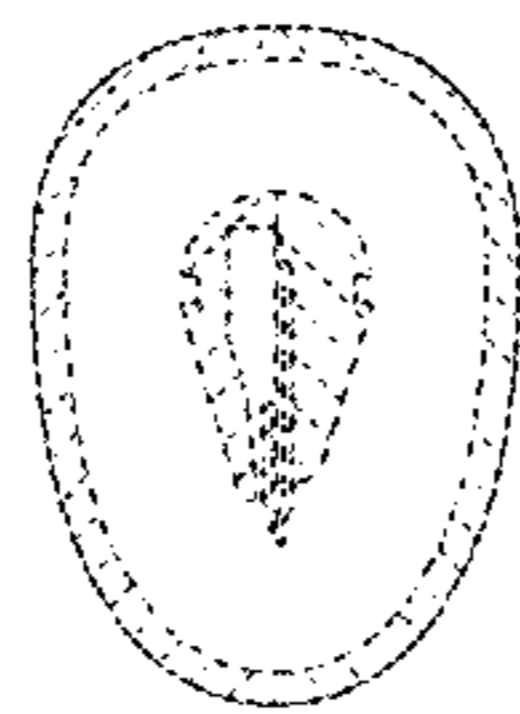


FIG. 9

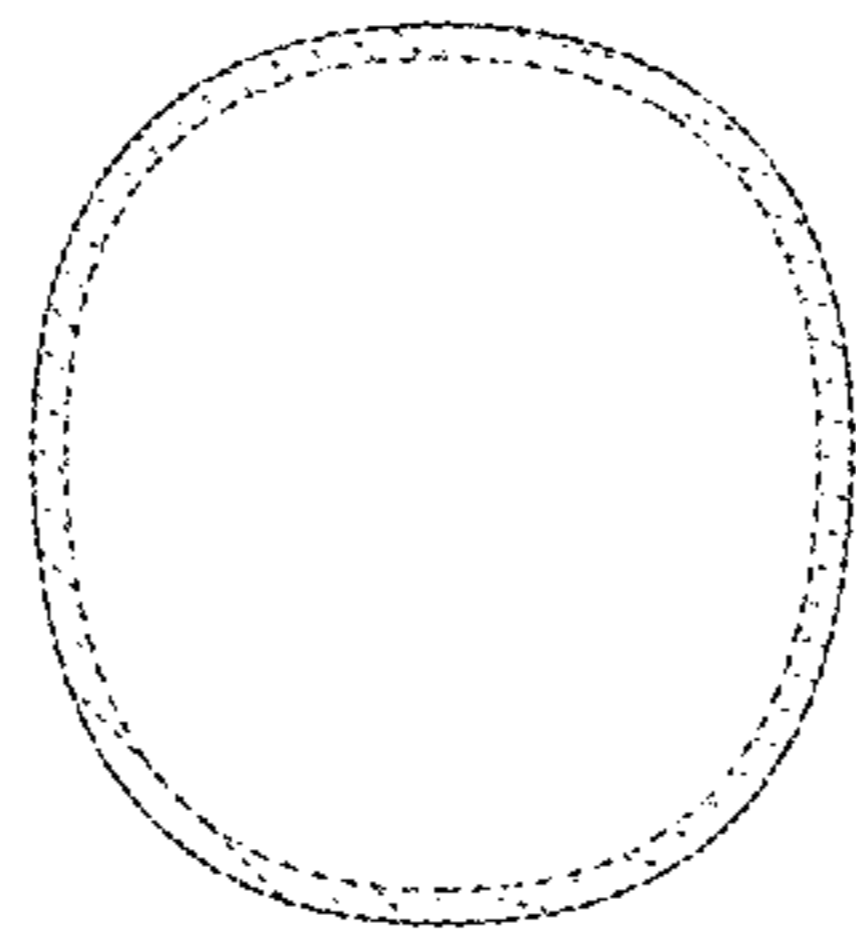


FIG. 10

