



US00D907848S

(12) **United States Design Patent**
Julemont

(10) **Patent No.:** **US D907,848 S**

(45) **Date of Patent:** **** Jan. 12, 2021**

(54) **HAIR STRAIGHTENING IRON**
(71) Applicant: **BABYLISS FACO SPRL**, Wandre (BE)
(72) Inventor: **Pierre Julemont**, Soumagne (BE)
(73) Assignee: **BABYLISS FACO SPRL**, Wandre (BE)

D645,613 S * 9/2011 Schmitz D28/35
D650,941 S * 12/2011 Sidebotham D28/35
8,875,717 B2 * 11/2014 Murzynski A45D 24/00
132/163
D780,374 S * 2/2017 Yu D28/35
9,808,063 B2 * 11/2017 Wang A45D 1/04
D837,448 S * 1/2019 Maochang D28/35
D850,002 S * 5/2019 Bates D28/35

(**) Term: **15 Years**
(21) Appl. No.: **35/507,837**
(22) Filed: **Apr. 16, 2019**

FOREIGN PATENT DOCUMENTS

CN 201230103728 * 4/2012
CN 201730340208 * 7/2017
JP D2017-14316 * 7/2017
RU 2014503051 * 8/2014

(80) **Hague Agreement Data**
Int. Filing Date: **Apr. 16, 2019**
Int. Reg. No.: **DM/204019**
Int. Reg. Date: **Apr. 16, 2019**
Int. Reg. Pub. Date: **Nov. 22, 2019**

OTHER PUBLICATIONS

Amazon, Remington Ceramic Hair Straightener, posted Jun. 12, 2012, [online], [visited Aug. 27, 2020]. Internet, <URL: https://www.amazon.co.uk/Remington-Advanced-Straighteners-Moroccan-Improved/dp/B008BDSZFK/ref> (Year: 2012).*

* cited by examiner

Primary Examiner — George D. Kirschbaum
Assistant Examiner — Samantha N Wood

(51) **LOC (13) Cl.** **28-03**
(52) **U.S. Cl.**
USPC **D28/35**
(58) **Field of Classification Search**
USPC ... D28/9, 10, 11, 12, 35, 99, 13, 16, 36, 37, D28/38
CPC A45D 2/12; A45D 2/14; A45D 2/36-367; A45D 2/00; A45D 2/02; A45D 4/00; A45D 4/08; A45D 4/085; A45D 4/10; A45D 6/00; A45D 6/04; A45D 6/08
See application file for complete search history.

(57) **CLAIM**

The ornamental design for a hair straightening iron, as shown and described.

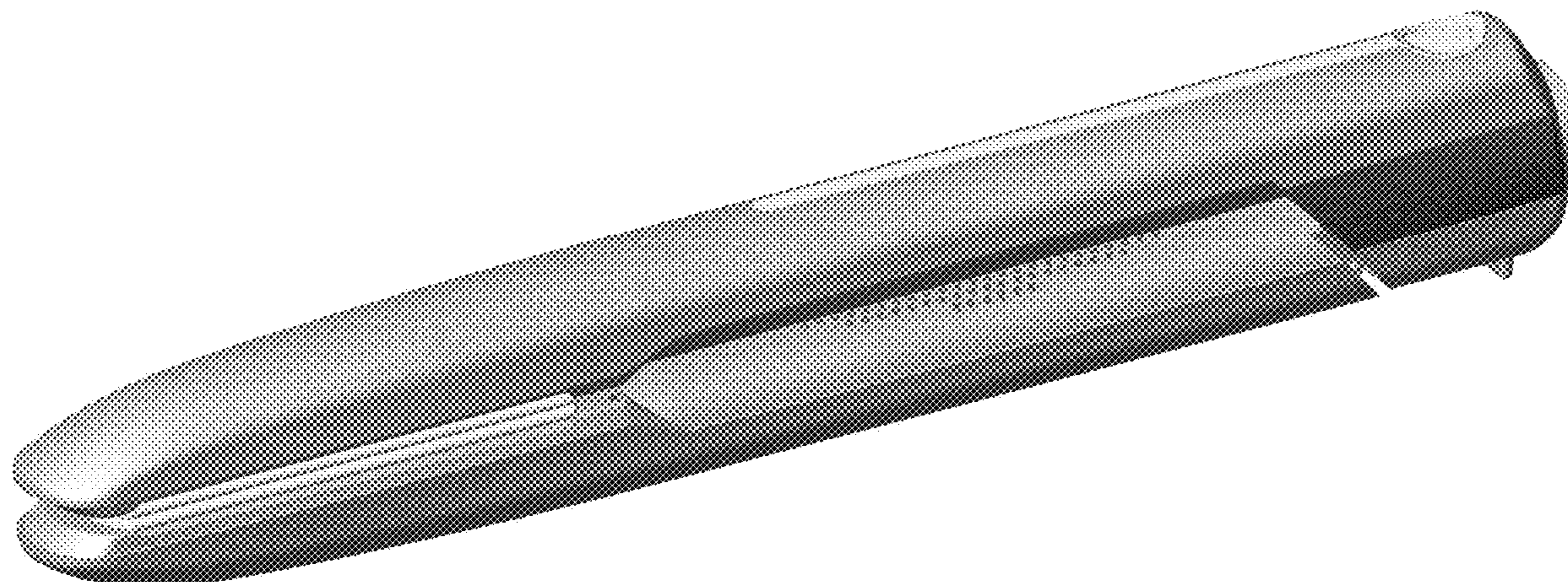
DESCRIPTION

- 1. Hair straightening iron
- 1.1 : Front Perspective
- 1.2 : Rear
- 1.3 : Bottom
- 1.4 : Front
- 1.5 : Side
- 1.6 : Top
- 1.7 : Rear Perspective

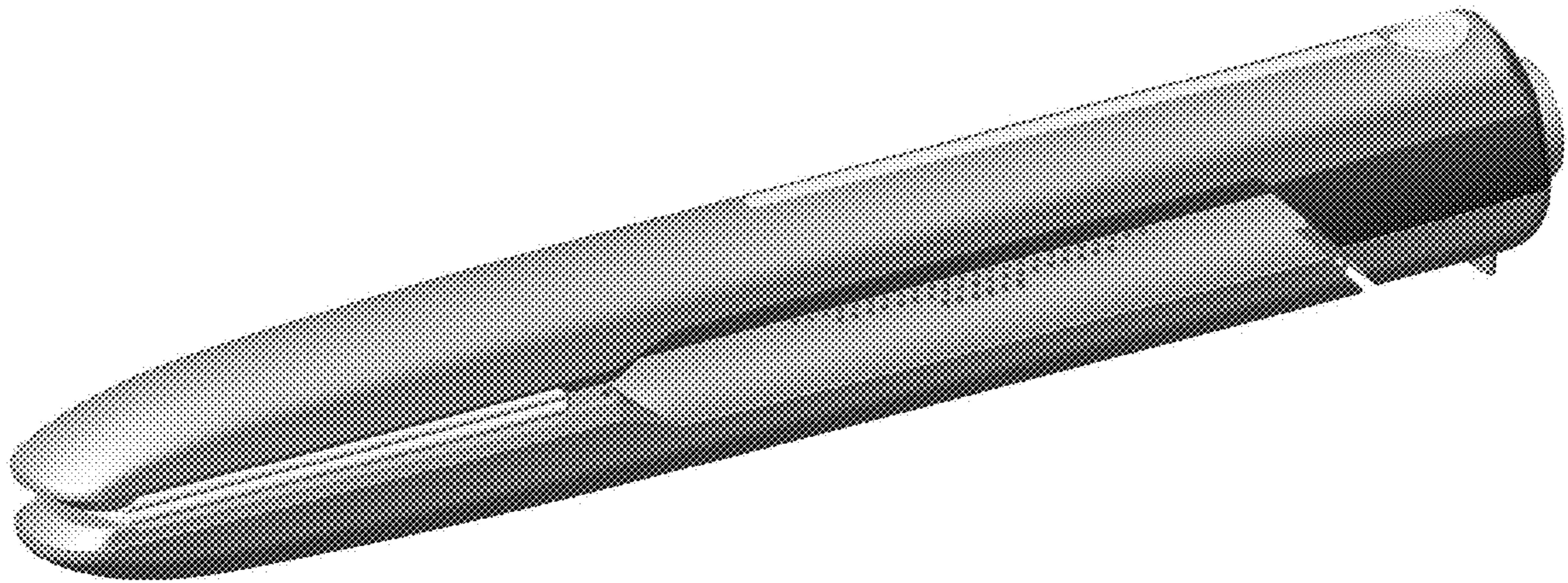
(56) **References Cited**
U.S. PATENT DOCUMENTS

D511,023 S * 10/2005 Cho D28/35
D570,044 S * 5/2008 Leung D28/35
D606,254 S * 12/2009 Leung D28/35
D609,400 S * 2/2010 Yang D28/35
D624,698 S * 9/2010 Mayo D28/35

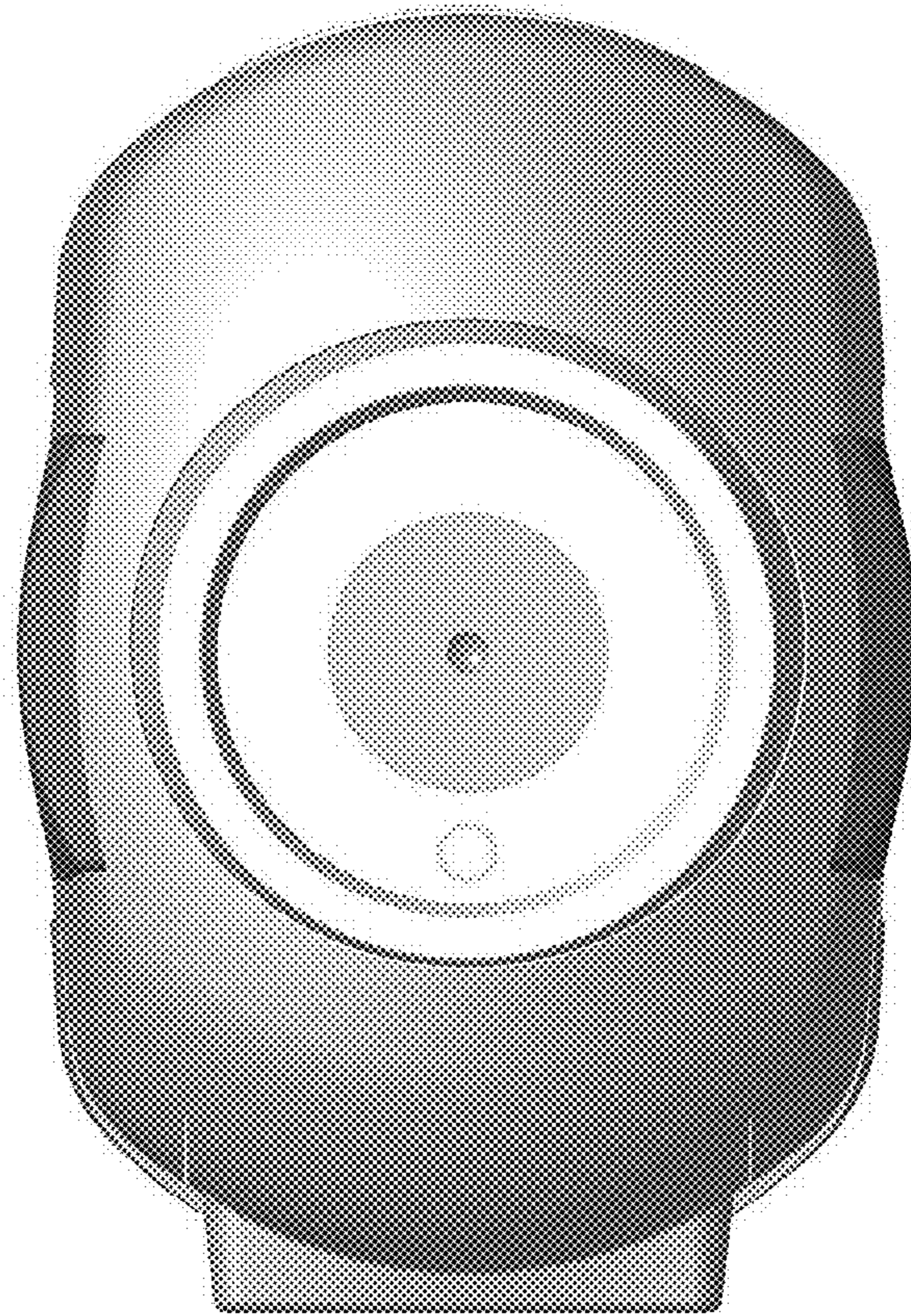
1 Claim, 7 Drawing Sheets



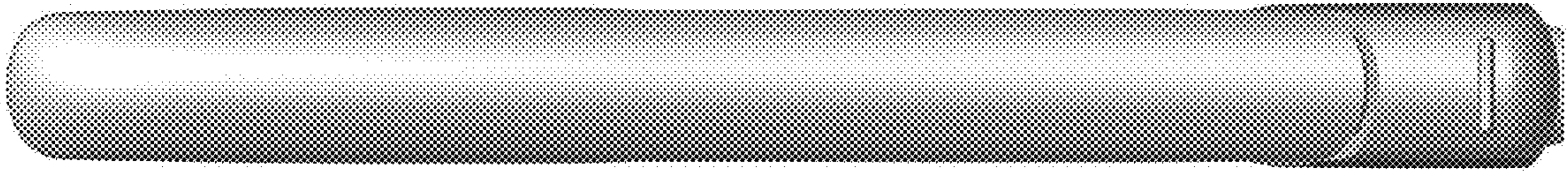
1.1



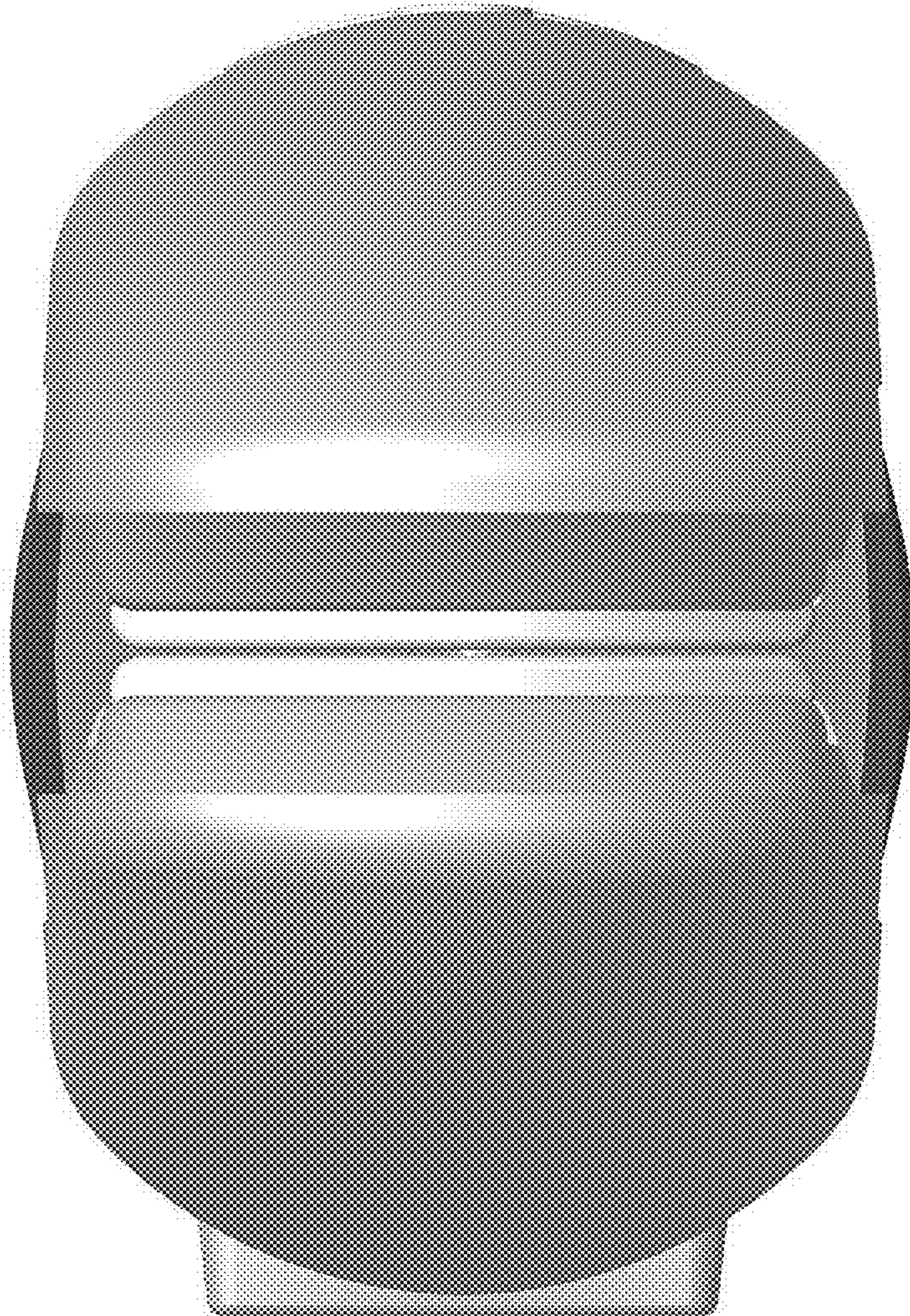
1.2



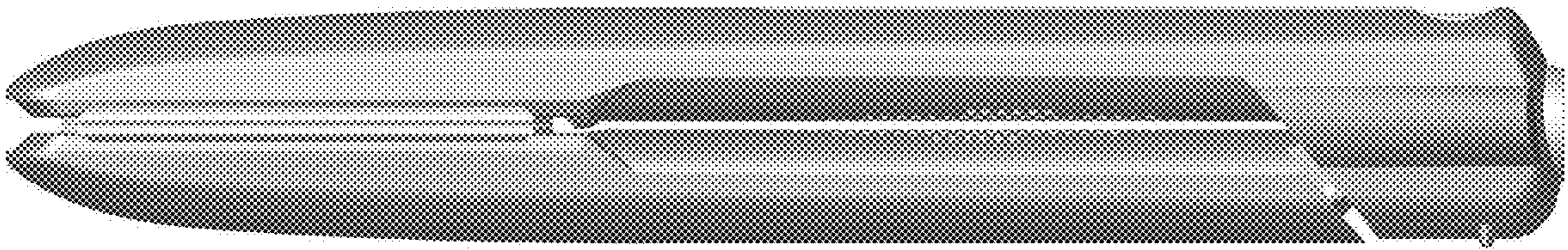
1.3



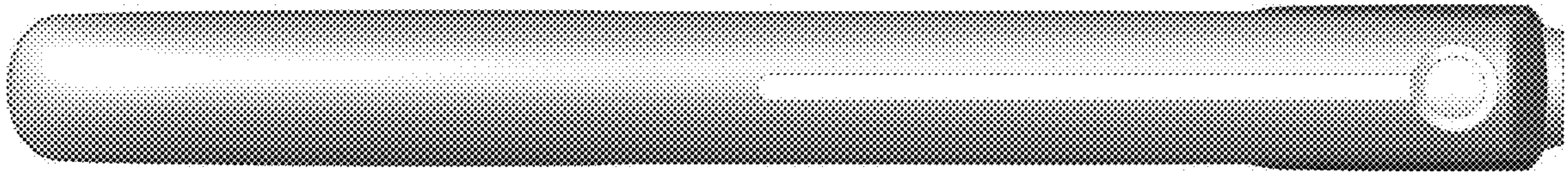
1.4



1.5



1.6



1.7

