



US00D907847S

(12) **United States Design Patent** (10) **Patent No.:** **US D907,847 S**
Kan (45) **Date of Patent:** **** Jan. 12, 2021**

(54) **HAIR DRYER**

(71) Applicant: **Lumielina International Inc.**, Tokyo (JP)

(72) Inventor: **Satoshi Kan**, Tokyo (JP)

(73) Assignee: **LUMIELINA INTERNATIONAL INC.**, Tokyo (JP)

(**) Term: **15 Years**

(21) Appl. No.: **29/654,315**

(22) Filed: **Jun. 22, 2018**

(30) **Foreign Application Priority Data**

Dec. 26, 2017 (JP) D2017-029123

(51) **LOC (13) Cl.** **28-03**

(52) **U.S. Cl.**
USPC **D28/18**

(58) **Field of Classification Search**
USPC D28/10, 11, 12, 13, 14, 15, 16, 17, 18, D28/19
CPC A45D 20/00; A45D 20/04; A45D 20/06; A45D 20/08; A45D 20/10; A45D 20/12; A45D 20/18; A45D 20/48; A45D 20/52; A45D 20/122; A45D 20/124; A45D 20/126

See application file for complete search history.

(56) **References Cited**

U.S. PATENT DOCUMENTS

- 3,846,047 A * 11/1974 Wada A45D 20/10 417/234
- D238,618 S * 1/1976 Nagelkerke D28/18
- D242,295 S * 11/1976 Rizzuto D28/13
- D246,730 S * 12/1977 Tomaro D28/13
- D604,900 S * 11/2009 Yang D28/13
- D651,341 S * 12/2011 Schmitz D28/13
- D775,417 S * 12/2016 Cho D28/13

- D788,365 S * 5/2017 Lamballais D28/13
- D832,509 S * 10/2018 Kan D28/18
- D860,533 S * 9/2019 Kang D28/18
- 2012/0266483 A1 * 10/2012 Palermo A45D 20/10 34/97
- 2015/0113823 A1 * 4/2015 Lee A45D 20/12 34/97
- 2015/0192324 A1 * 7/2015 Takemoto F24H 3/0423 392/385
- 2016/0022004 A1 * 1/2016 Johnson A45D 20/525 132/112

OTHER PUBLICATIONS

2D Plus hair dryer, no announcement date [online], retrieved Oct. 25, 2019, retrieved from internet, <https://global.rakuten.com/en/store/sakai-recycle/item/2013549252100234/>.*

* cited by examiner

Primary Examiner — Dana K Weiland

Assistant Examiner — Messina L Smith

(74) *Attorney, Agent, or Firm* — Cantor Colburn LLP

(57) **CLAIM**

The ornamental design for a hair dryer, as shown and described.

DESCRIPTION

FIG. 1 is a perspective view of a hair dryer showing the new design;

FIG. 2 is a front view of FIG. 1;

FIG. 3 is a back view of FIG. 1;

FIG. 4 is a top plan view of FIG. 1;

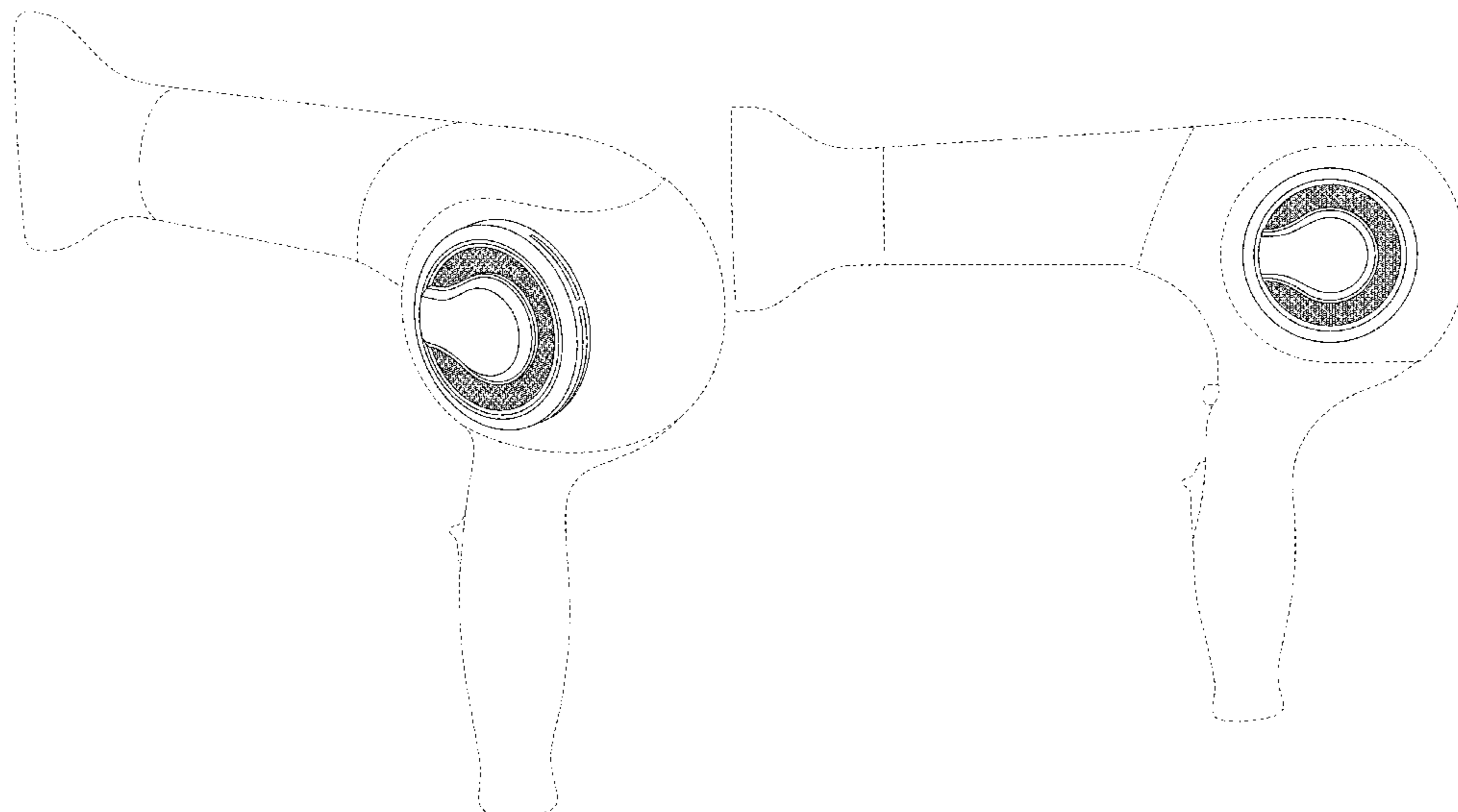
FIG. 5 is a bottom view of FIG. 1;

FIG. 6 is a left side view of FIG. 1; and,

FIG. 7 is a right side view of FIG. 1.

The broken lines in the drawings are for the purpose of illustrating portions of the hair dryer that form no part of the claimed design.

1 Claim, 5 Drawing Sheets



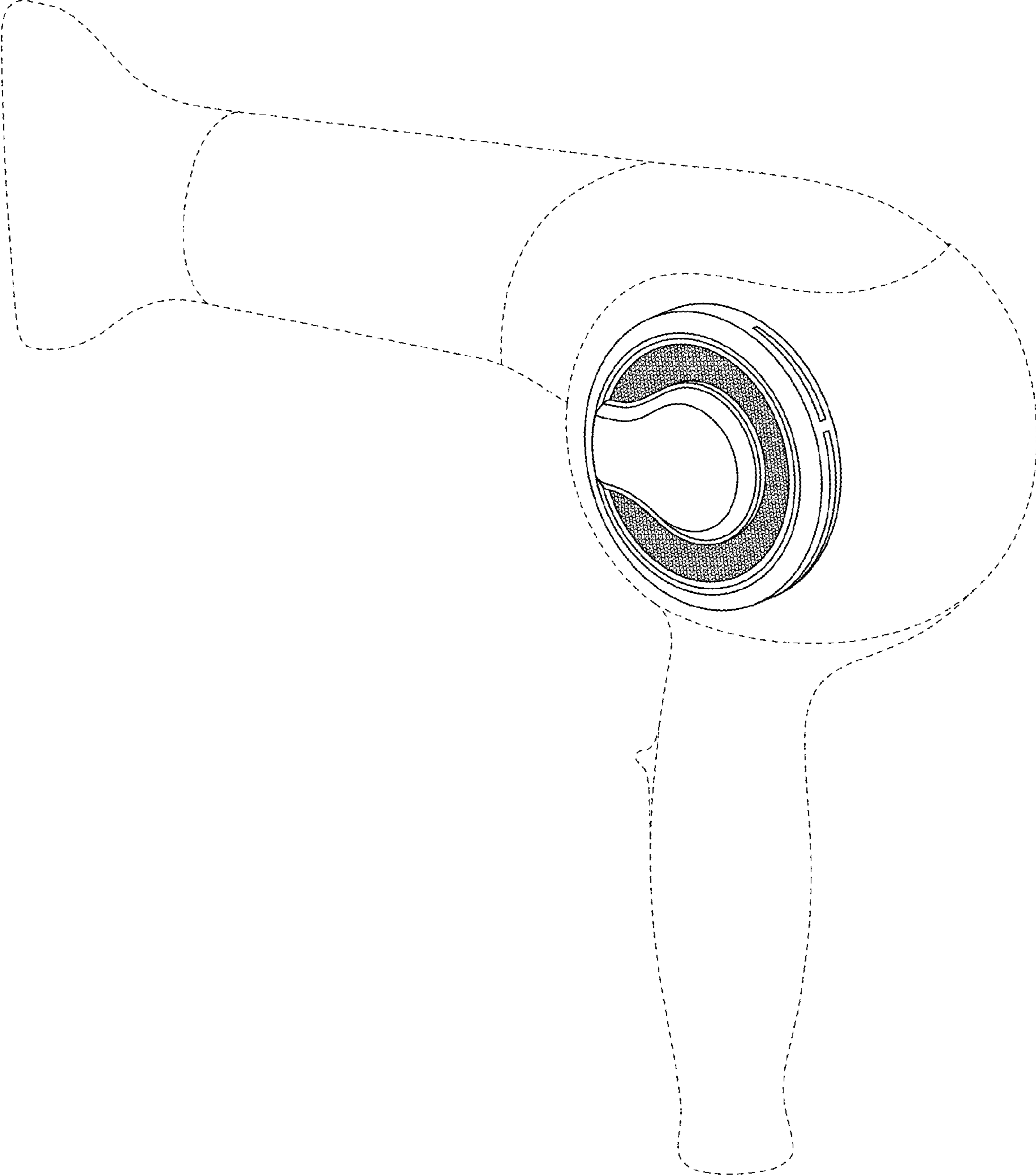


FIG. 1

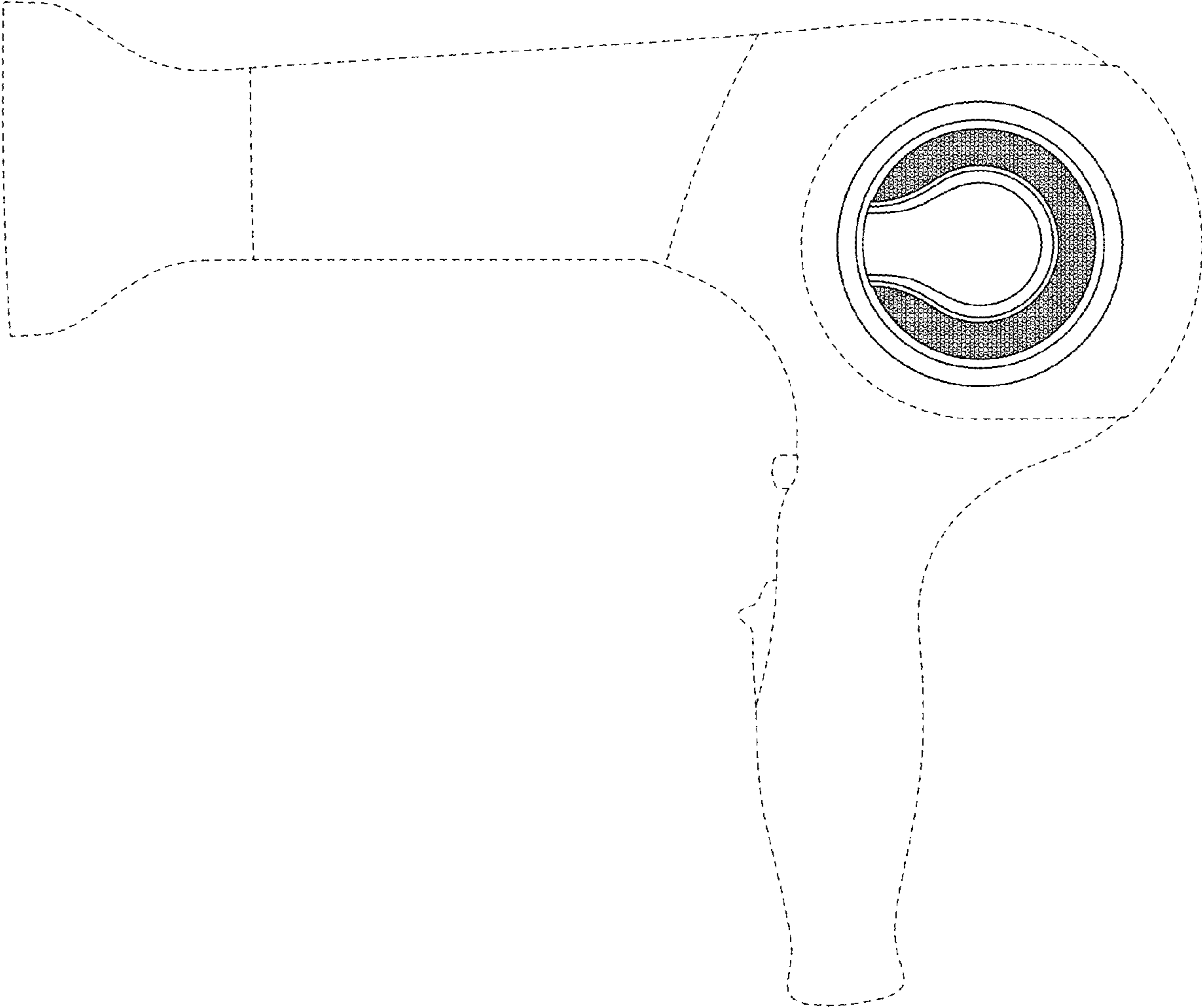


FIG. 2

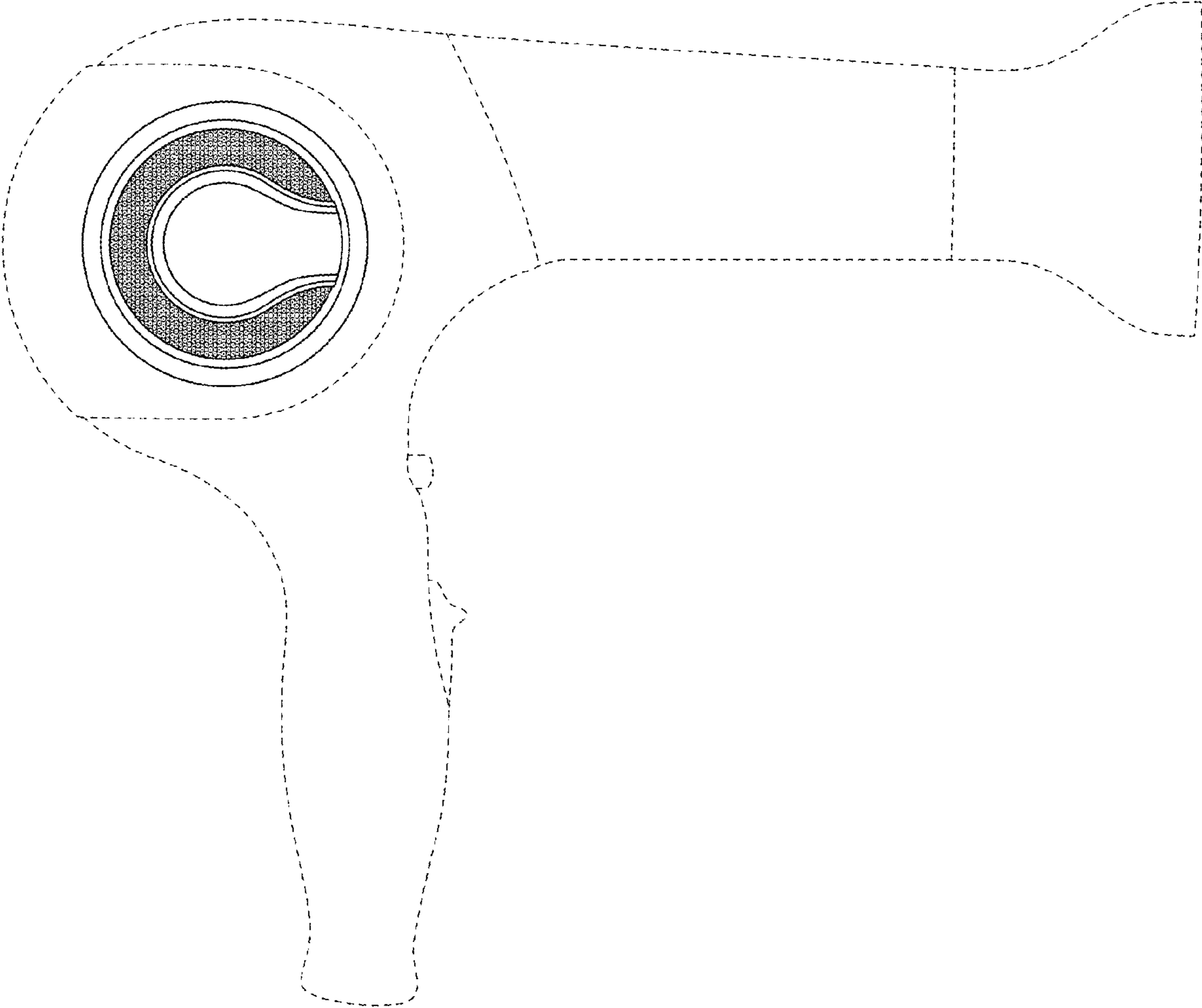


FIG. 3

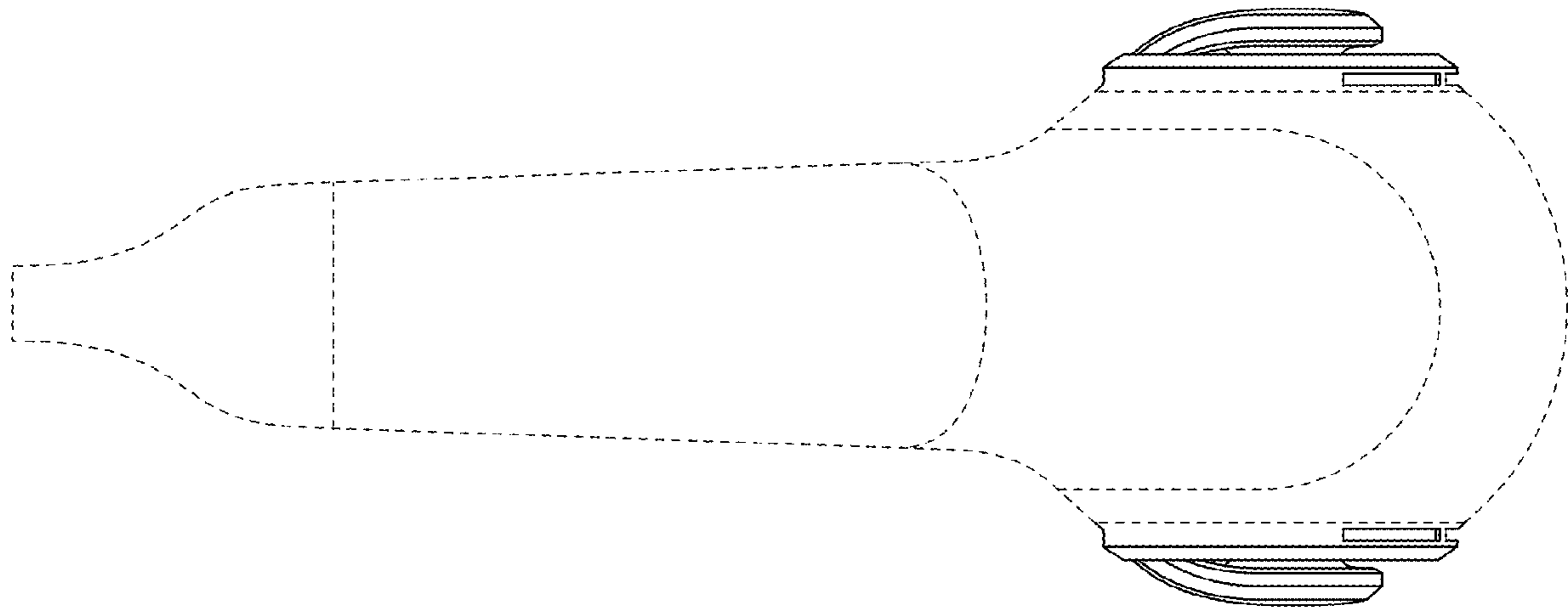


FIG. 4

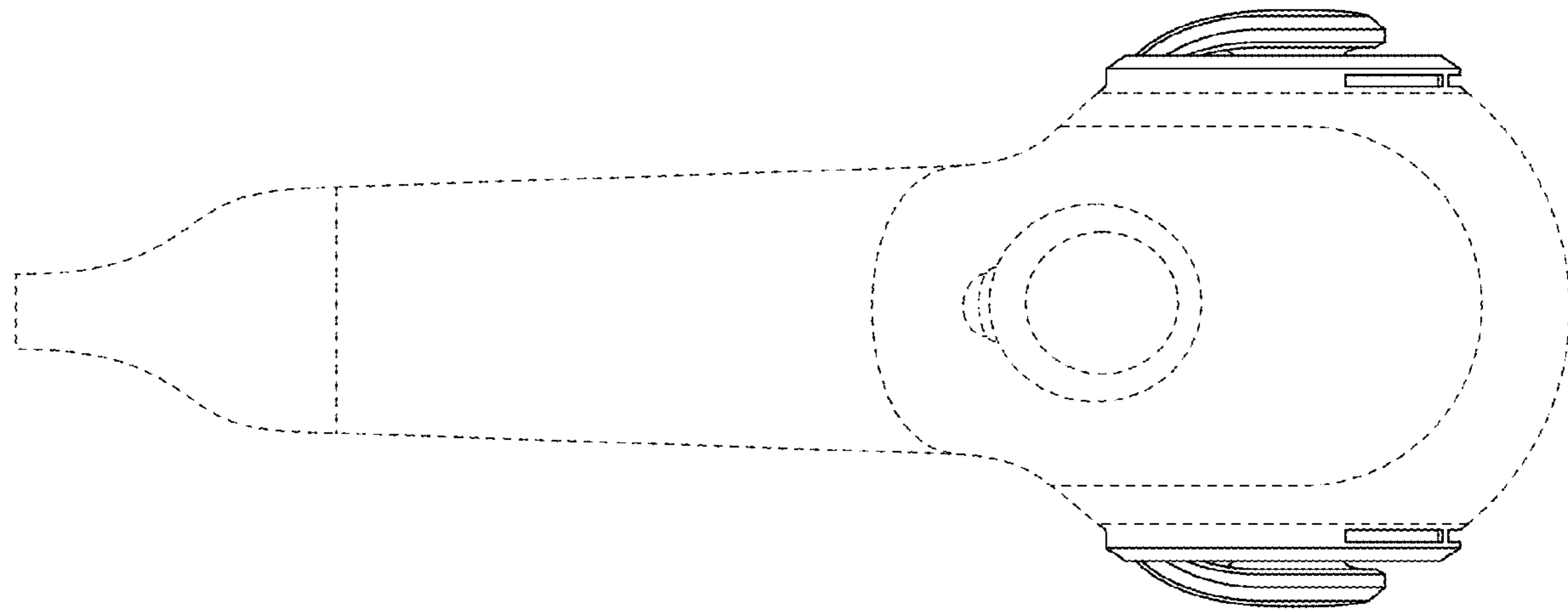


FIG. 5

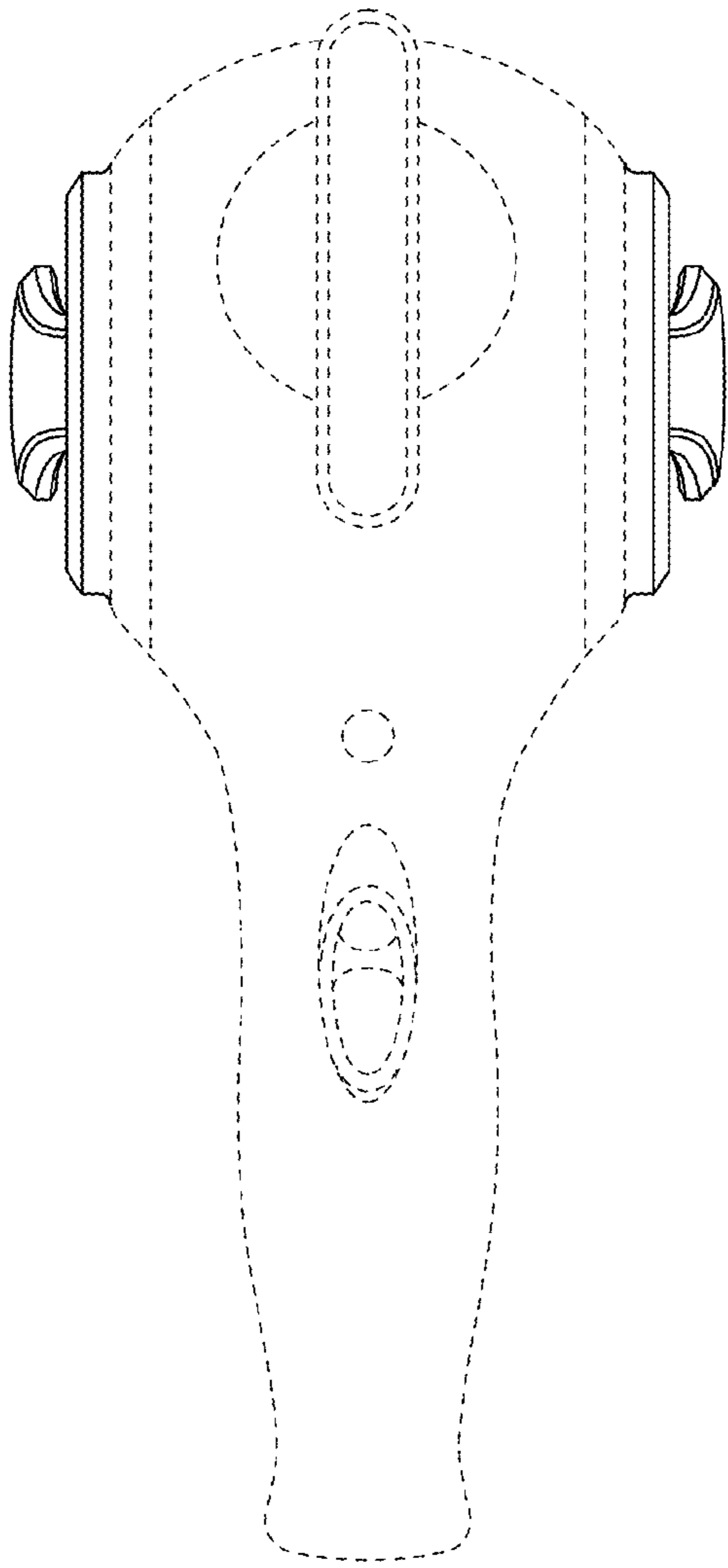


FIG. 6

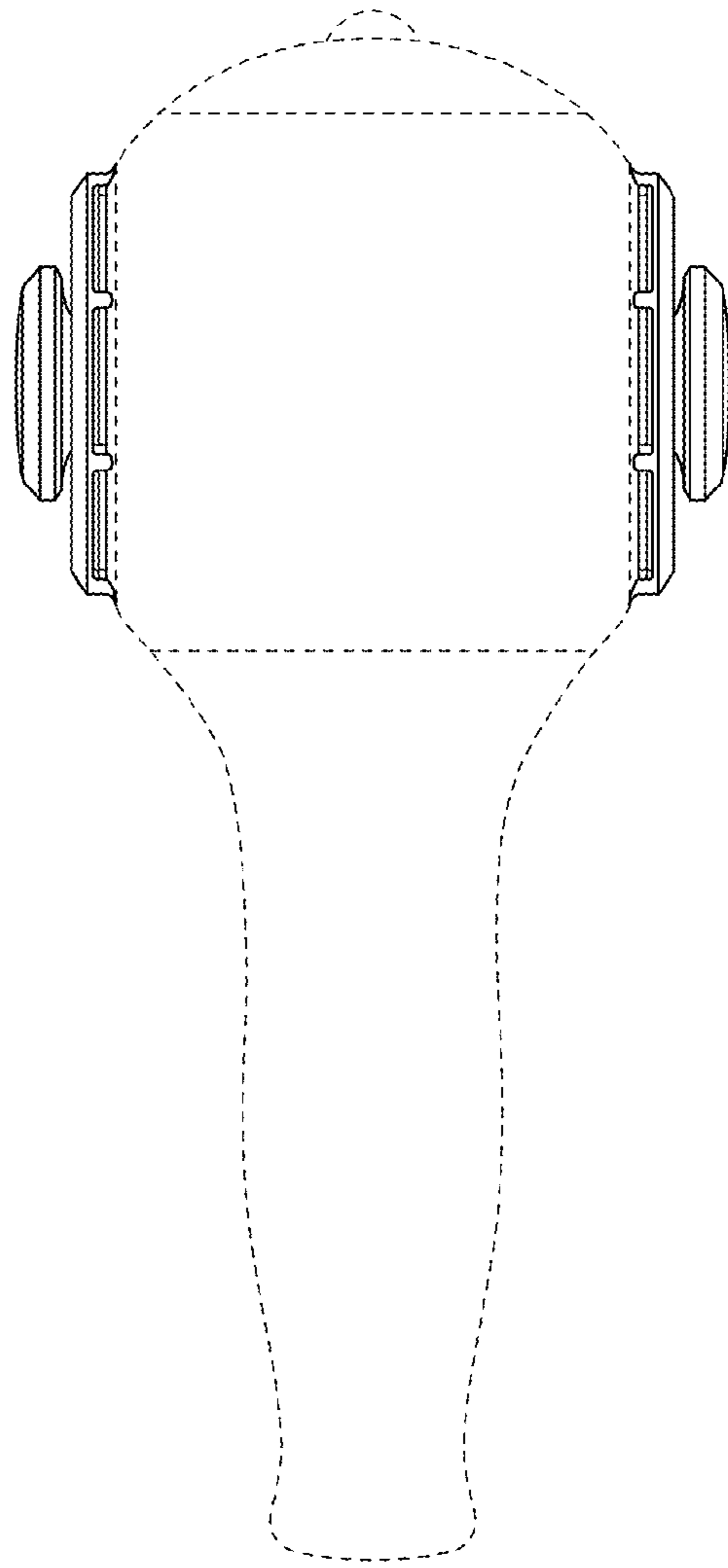


FIG. 7