



US00D907845S

(12) **United States Design Patent** (10) **Patent No.:** **US D907,845 S**  
**Collins** (45) **Date of Patent:** **\*\* Jan. 12, 2021**

(54) **SMOKING APPARATUS FOR USE WITH VAPORISER**

(71) Applicant: **Jason Xahvia Collins**, Sneinton (GB)

(72) Inventor: **Jason Xahvia Collins**, Sneinton (GB)

(\*\*) Term: **15 Years**

(21) Appl. No.: **35/508,028**

(22) Filed: **Jun. 12, 2019**

(80) **Hague Agreement Data**

Int. Filing Date: **Jun. 12, 2019**

Int. Reg. No.: **DM/204481**

Int. Reg. Date: **Jun. 12, 2019**

Int. Reg. Pub. Date: **Dec. 6, 2019**

(51) **LOC (13) Cl.** ..... **27-02**

(52) **U.S. Cl.**  
USPC ..... **D27/162**

(58) **Field of Classification Search**  
USPC ..... D27/100, 103, 163, 164, 167-170, 194  
CPC .. A24F 1/30; A24F 47/008; A24F 1/32; A24F 40/40; A24F 40/50; A24F 47/00; A24F 15/00; A24F 1/02; A24F 7/002; A24F 5/00; A24F 1/14; A24F 1/24; A24F 9/00; A24F 13/02; A24F 13/04; A24F 13/06; A24F 15/06; A24F 15/12; A24F 15/20; A24F 1/28; A24F 23/00; A24F 3/00; A24F 40/00; A24F 40/42; A24F 40/46; A24F 40/48; A24F 40/57; A24F 40/60; A24F 47/006; A24F 5/04; A24F 5/10; A24F 5/14; A24F 7/00

See application file for complete search history.

(56) **References Cited**

**U.S. PATENT DOCUMENTS**

D368,325 S \* 3/1996 Heine ..... D27/162  
RE36,105 E \* 2/1999 Newman ..... D27/162

RE36,595 E \* 3/2000 Newman ..... A24F 1/30 D27/162  
D728,854 S \* 5/2015 Siniakov ..... D27/162  
D742,587 S \* 11/2015 Masri ..... D27/162  
D836,978 S \* 1/2019 Sonnichsen ..... D7/397  
D838,410 S \* 1/2019 Reimann ..... D27/162  
D854,740 S \* 7/2019 Opp ..... D27/162  
D875,881 S \* 2/2020 Kremerman ..... D23/207  
D887,761 S \* 6/2020 Xu ..... D7/300.1  
2006/0107964 A1 \* 5/2006 Ohanesian ..... A24F 1/30 131/173

\* cited by examiner

*Primary Examiner* — Khawaja Anwar

(57) **CLAIM**

The ornamental design for a smoking apparatus for use with vaporiser, as shown and described.

**DESCRIPTION**

1. Smoking apparatus for use with vaporiser

**1.1** : Perspective

**1.2** : Bottom

**1.3** : Left

**1.4** : Exploded

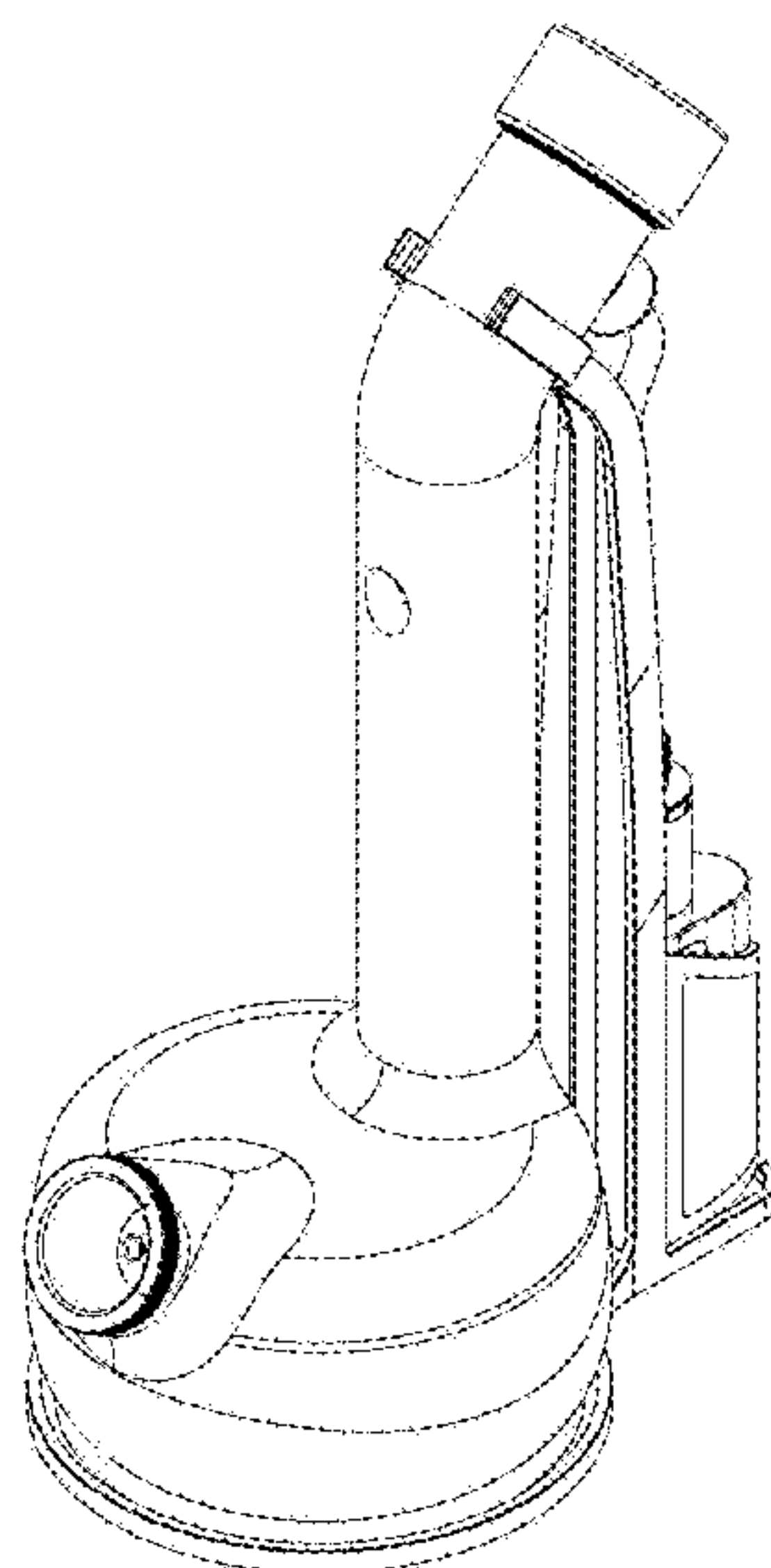
**1.5** : Exploded

**1.6** : Bottom

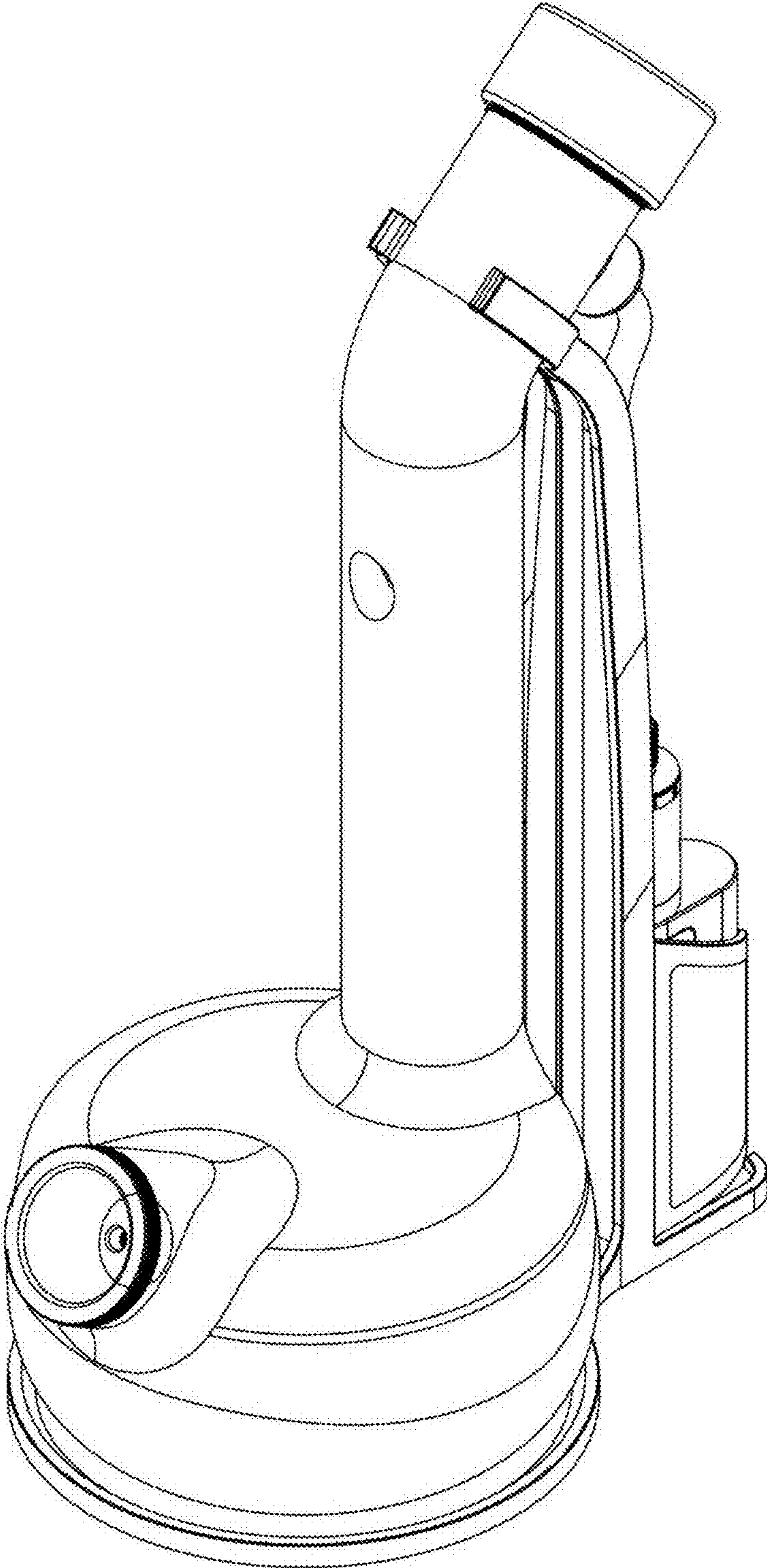
**1.7** : Back

A smoking apparatus for use with a vaporiser having a stand, a fluid filled vessel connected to a first end of a chimney, a burning bowl, a mouthpiece provided at a second end of the chimney, a vaporiser cradle and a smoke channel configured to pass from the burning bowl, into the vessel, through the fluid in the vessel, through the chimney and exiting via the mouthpiece; in use, the vaporiser is connected to the smoke channel by an input means so as to vent vapor from the vaporiser into the smoke channel prior to inhalation from the mouth piece.

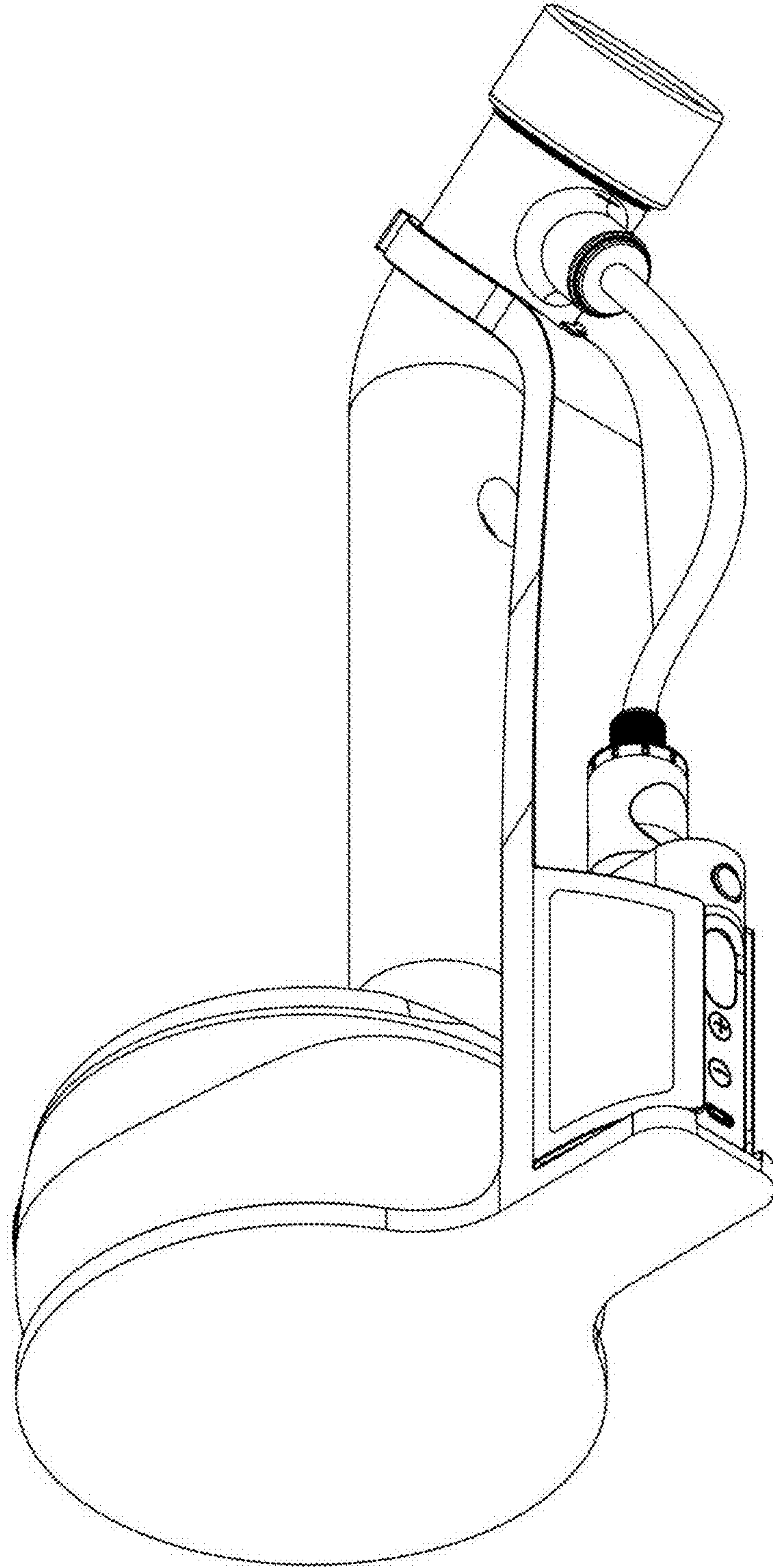
**1 Claim, 7 Drawing Sheets**



1.1

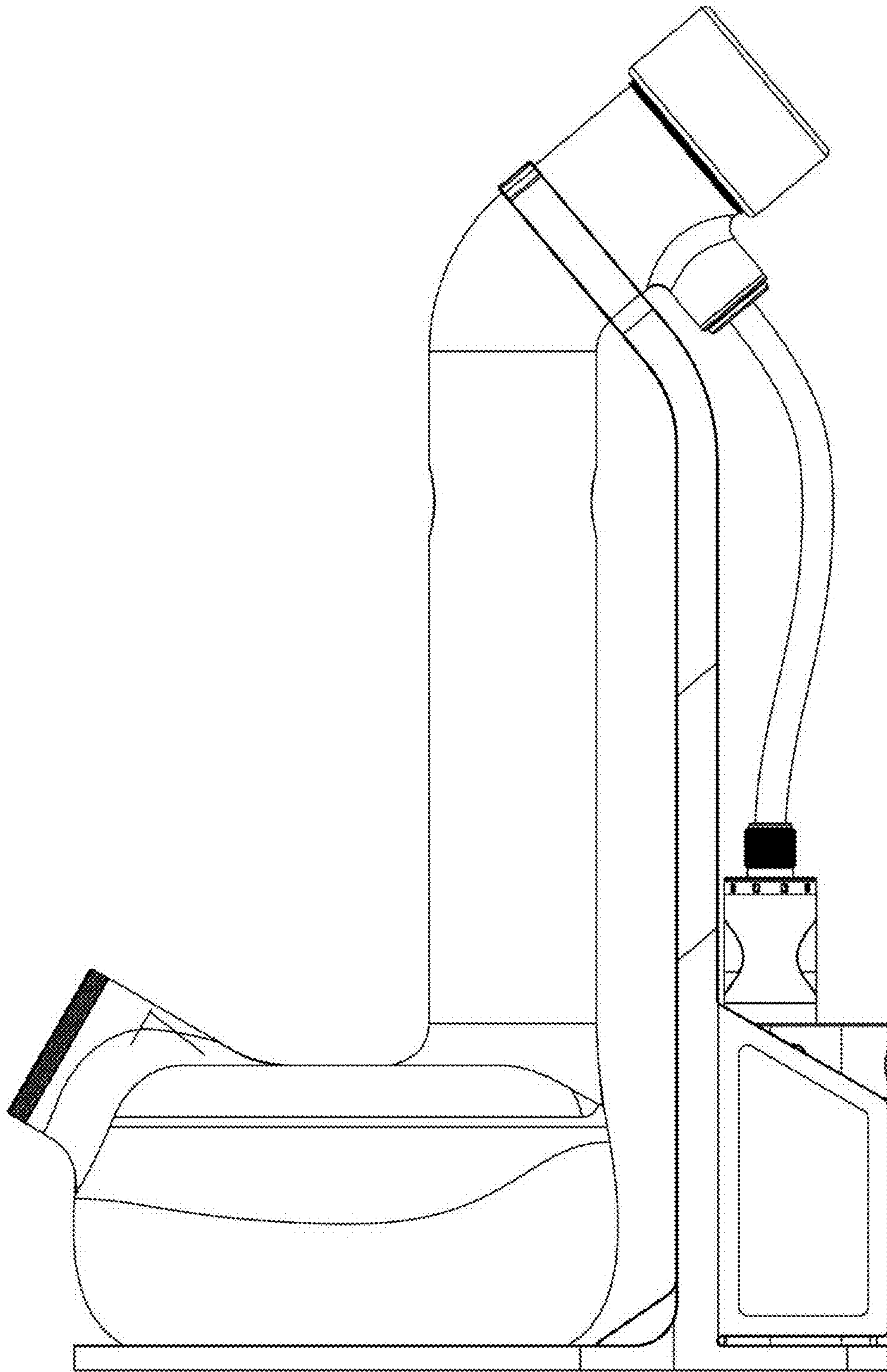


1.2

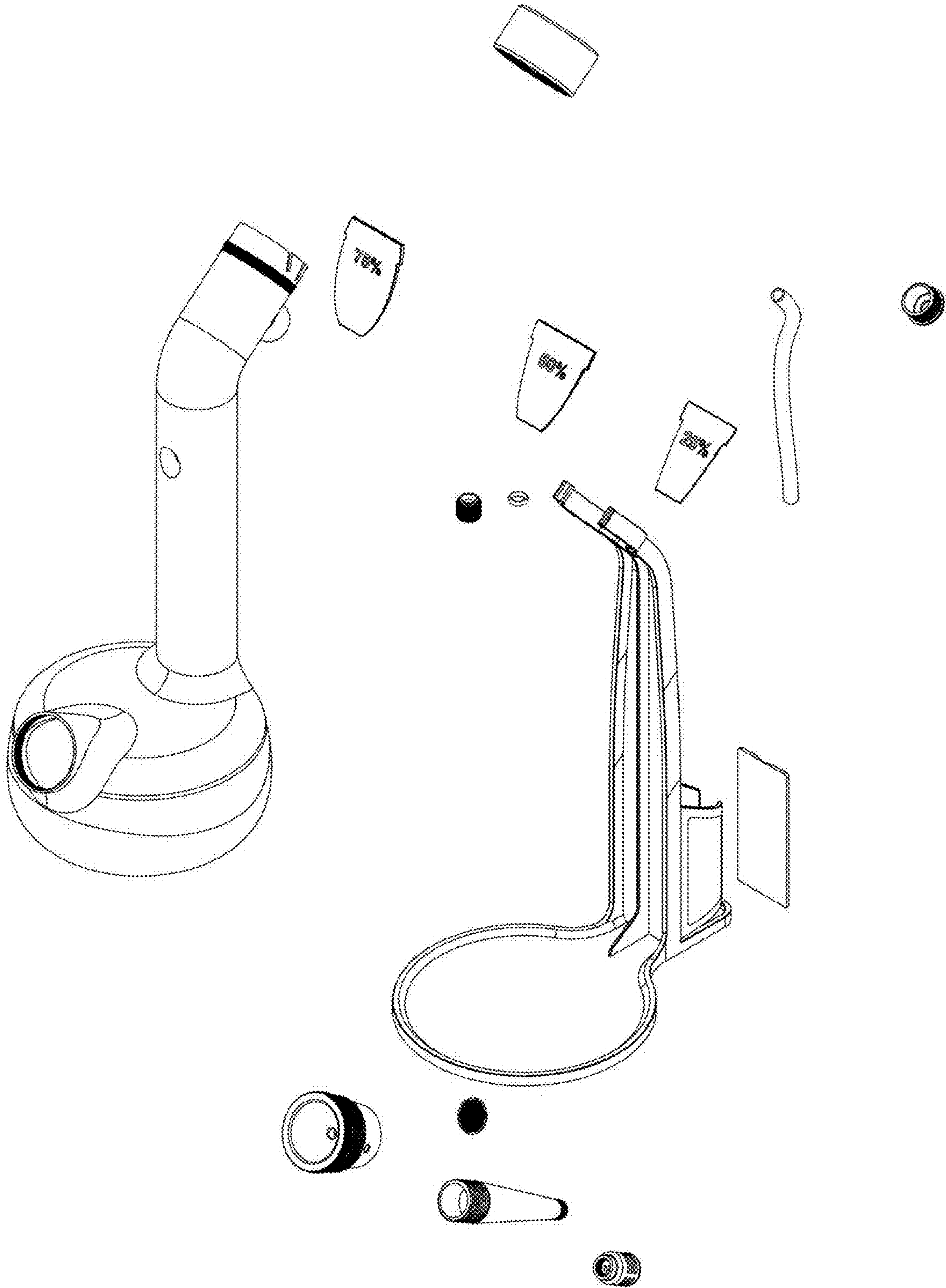




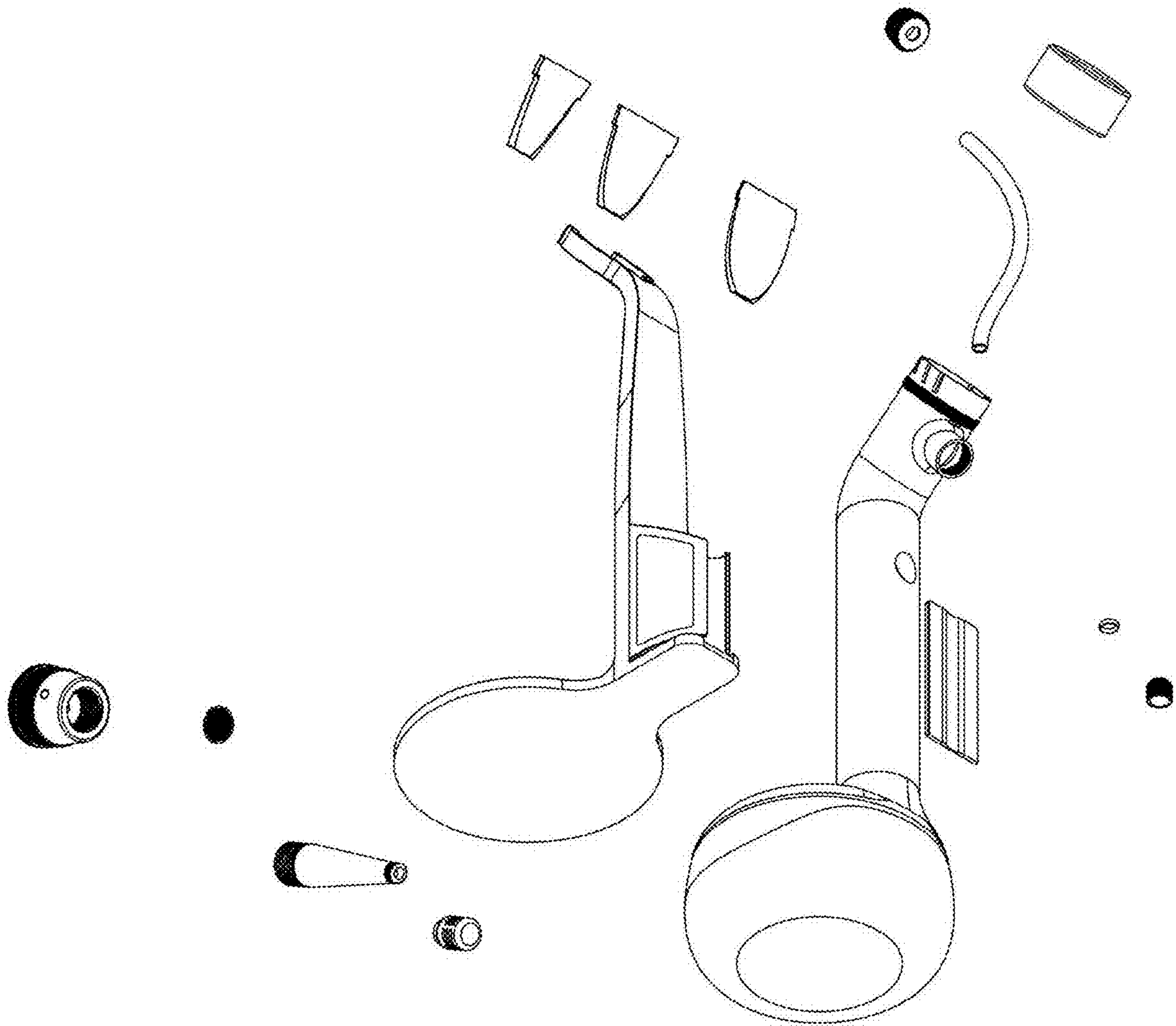
1.3



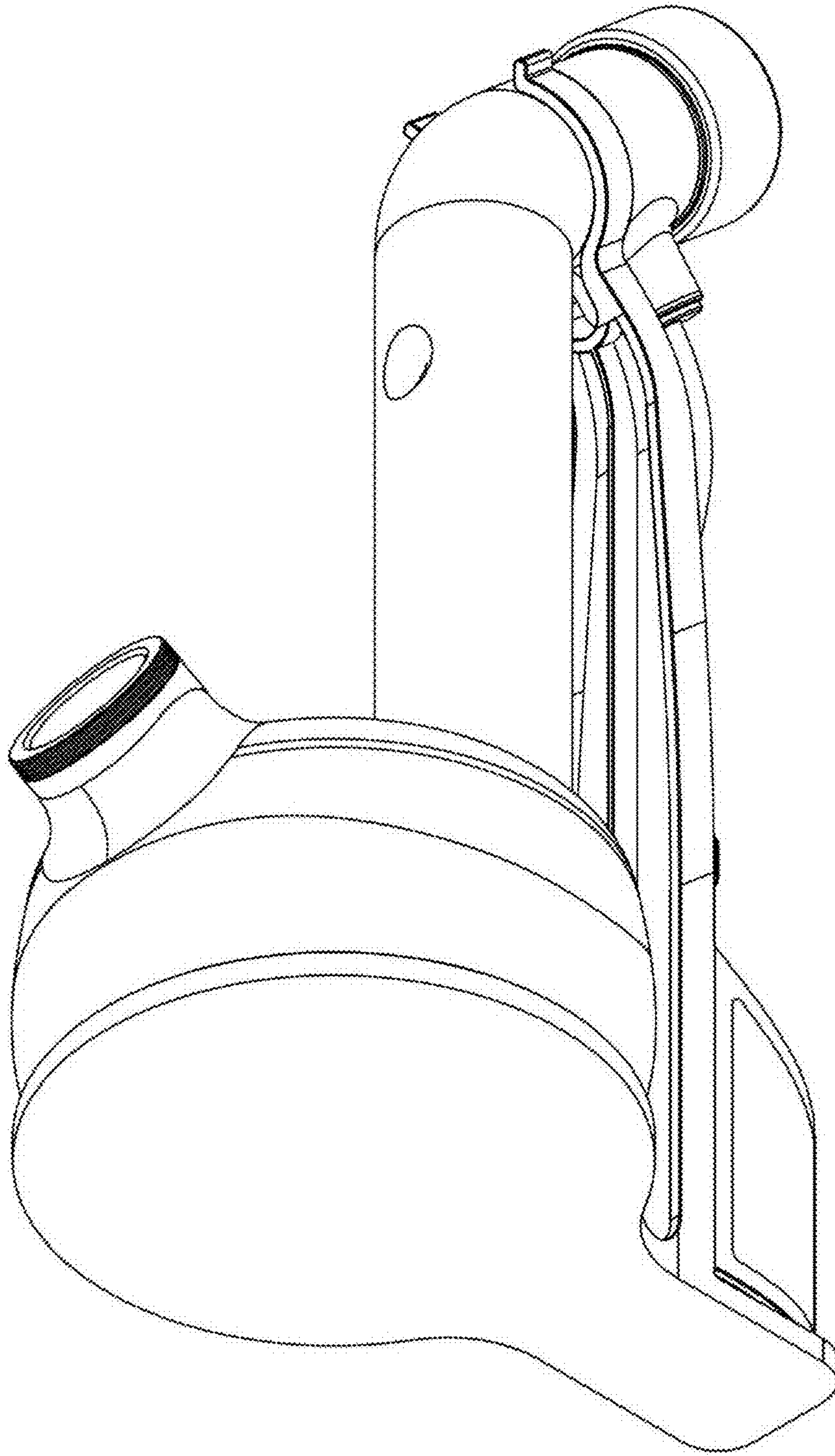
1.4



1.5



1.6





1.7

