



US00D907844S

(12) **United States Design Patent** (10) **Patent No.:** **US D907,844 S**
Pan (45) **Date of Patent:** **** Jan. 12, 2021**

- (54) **ELECTRONIC CIGARETTE**
- (71) Applicant: **SHENZHEN SMOORE TECHNOLOGY LIMITED**, Guangdong (CN)
- (72) Inventor: **Weidong Pan**, Guangdong (CN)
- (73) Assignee: **SHENZHEN SMOORE TECHNOLOGY LIMITED**, Shenzhen (CN)
- (**) Term: **15 Years**
- (21) Appl. No.: **29/712,814**
- (22) Filed: **Nov. 12, 2019**

- 9,986,764 B2 * 6/2018 Watson A24F 7/02
- D824,096 S * 7/2018 Qiu D27/167
- D838,899 S * 1/2019 Qiu D27/167
- D842,536 S * 3/2019 Bowen D27/167
- D843,644 S * 3/2019 Qiu D27/101
- D844,235 S * 3/2019 Cividi D27/167
- D849,996 S * 5/2019 Duque D27/194

(Continued)

Primary Examiner — Marissa J Cash
(74) *Attorney, Agent, or Firm* — Ladas & Parry LLP

(57) **CLAIM**

The ornamental design for electronic cigarette, as shown and described.

DESCRIPTION

FIG. 1 is a front, right, top perspective view of an electronic cigarette shown as a portion removed from the assembly for clarity of disclosure;
 FIG. 2 is a rear, left, and bottom perspective view thereof;
 FIG. 3 is a front elevational view thereof;
 FIG. 4 is a rear elevational view thereof;
 FIG. 5 is a left side elevational view thereof;
 FIG. 6 is a right side elevational view thereof;
 FIG. 7 is a top plan view thereof;
 FIG. 8 is a bottom plan view thereof.
 FIG. 9 is a front, right top perspective view of the electronic cigarette shown in an assembled configuration of use;
 FIG. 10 is a rear, left, and bottom perspective view thereof;
 FIG. 11 is a front elevational view thereof;
 FIG. 12 is a rear elevational view thereof;
 FIG. 13 is a left side elevational view thereof;
 FIG. 14 is a right side elevational view thereof;
 FIG. 15 is a top plan view thereof; and,
 FIG. 16 is a bottom plan view thereof.
 The broken lines in the figures are included for the purpose of illustrating portions of the electronic cigarette which form no part of the claimed design.

Related U.S. Application Data

- (63) Continuation of application No. 29/647,836, filed on May 16, 2018, now Pat. No. Des. 875,303.

(30) **Foreign Application Priority Data**

Nov. 24, 2017 (CN) 2017 3 0586607

- (51) **LOC (13) Cl.** **27-02**

- (52) **U.S. Cl.**
USPC **D27/162**

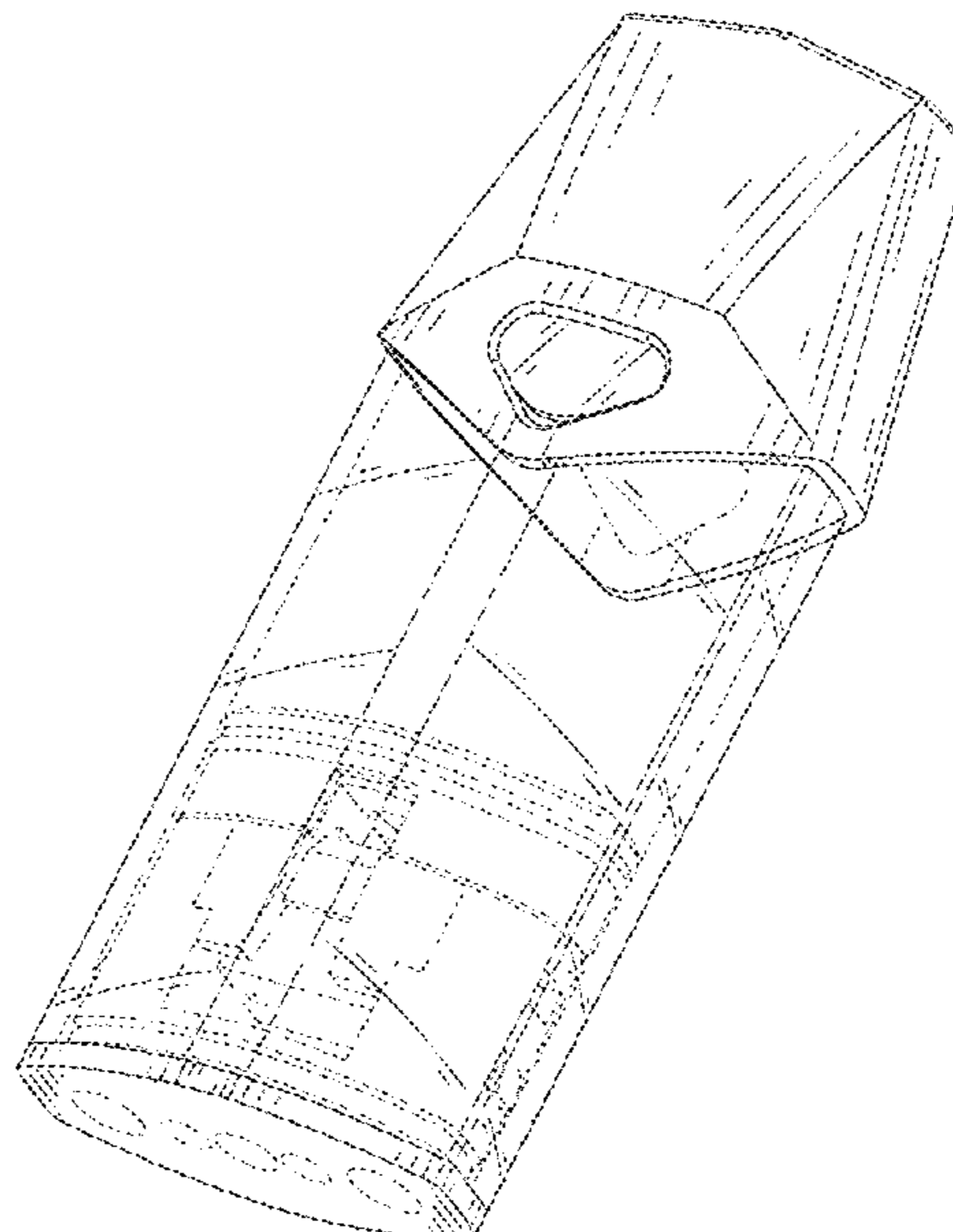
- (58) **Field of Classification Search**
USPC D27/100, 101, 162–196; D8/499;
D23/366
CPC A24F 47/008; A24F 47/002; A24F 15/14;
A24F 40/20; A24F 47/00
See application file for complete search history.

(56) **References Cited**

U.S. PATENT DOCUMENTS

- D763,502 S * 8/2016 Verleur D27/167
- 9,894,931 B2 * 2/2018 Zhou A24F 47/008

1 Claim, 15 Drawing Sheets



(56)

References Cited

U.S. PATENT DOCUMENTS

D858,868 S * 9/2019 Bowen D27/162
D858,870 S * 9/2019 Bowen D27/162
D864,476 S * 10/2019 Qiu D27/162
D865,279 S * 10/2019 Pino D27/172
D870,373 S * 12/2019 Greenbaum D27/169
D870,374 S * 12/2019 Greenbaum D27/169
D871,669 S * 12/2019 Lee D27/194
D872,357 S * 1/2020 Hoch D27/194
D872,934 S * 1/2020 Powell D27/163
D875,302 S * 2/2020 Pan D27/162
D875,303 S * 2/2020 Pan D27/162
D875,305 S * 2/2020 Lai D27/167
D875,306 S * 2/2020 Pan D27/167
D876,004 S * 2/2020 Wang D27/101
D876,006 S * 2/2020 Qiu D27/162
D880,053 S * 3/2020 Han D27/162
D880,765 S * 4/2020 Tasselli D27/163
D881,460 S * 4/2020 Han D27/162
D883,569 S * 5/2020 Powell D27/170
D889,736 S * 7/2020 Han D27/162
2018/0177234 A1 * 6/2018 Lee A24F 9/16
2018/0279682 A1 * 10/2018 Guo A24F 47/008
2019/0037926 A1 * 2/2019 Qiu A24F 47/008
2019/0053542 A1 * 2/2019 Chen A61M 11/042
2019/0373953 A1 * 12/2019 Atkins A61M 15/06

* cited by examiner

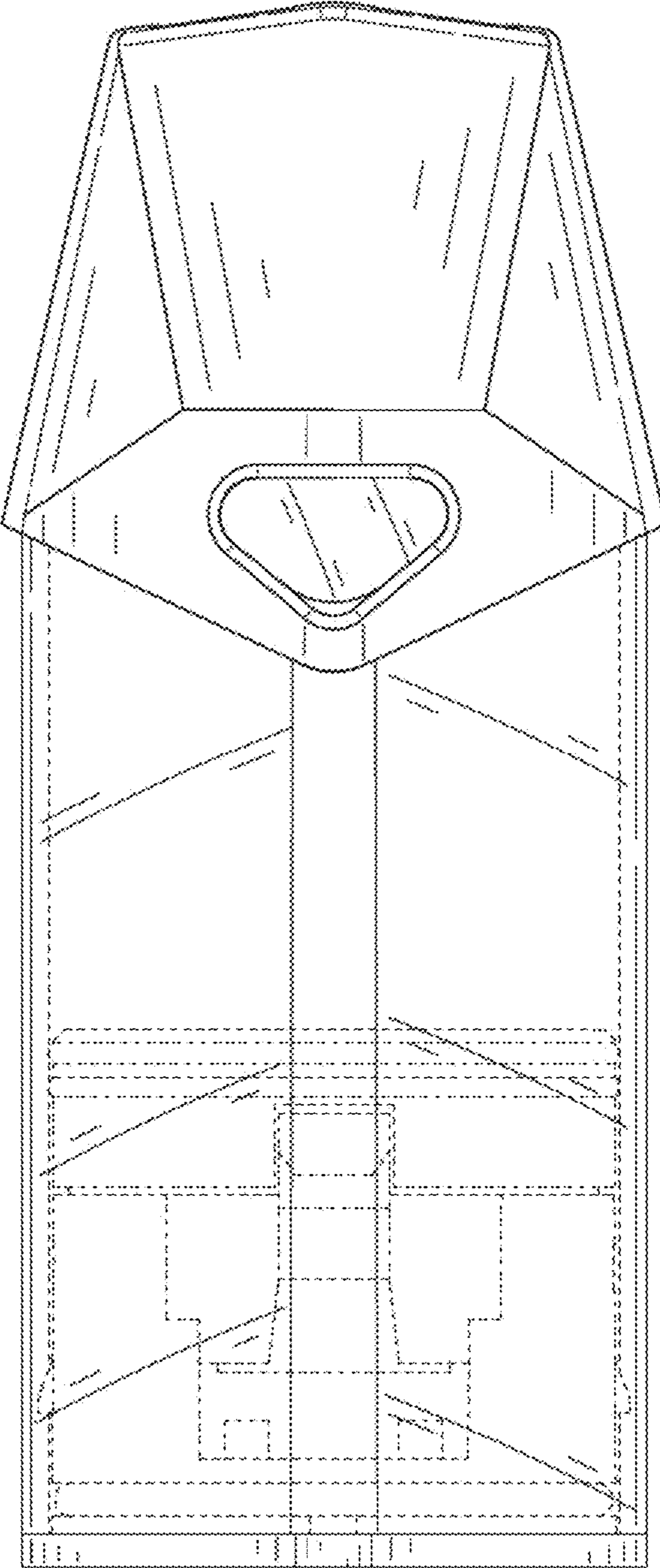


FIG. 1

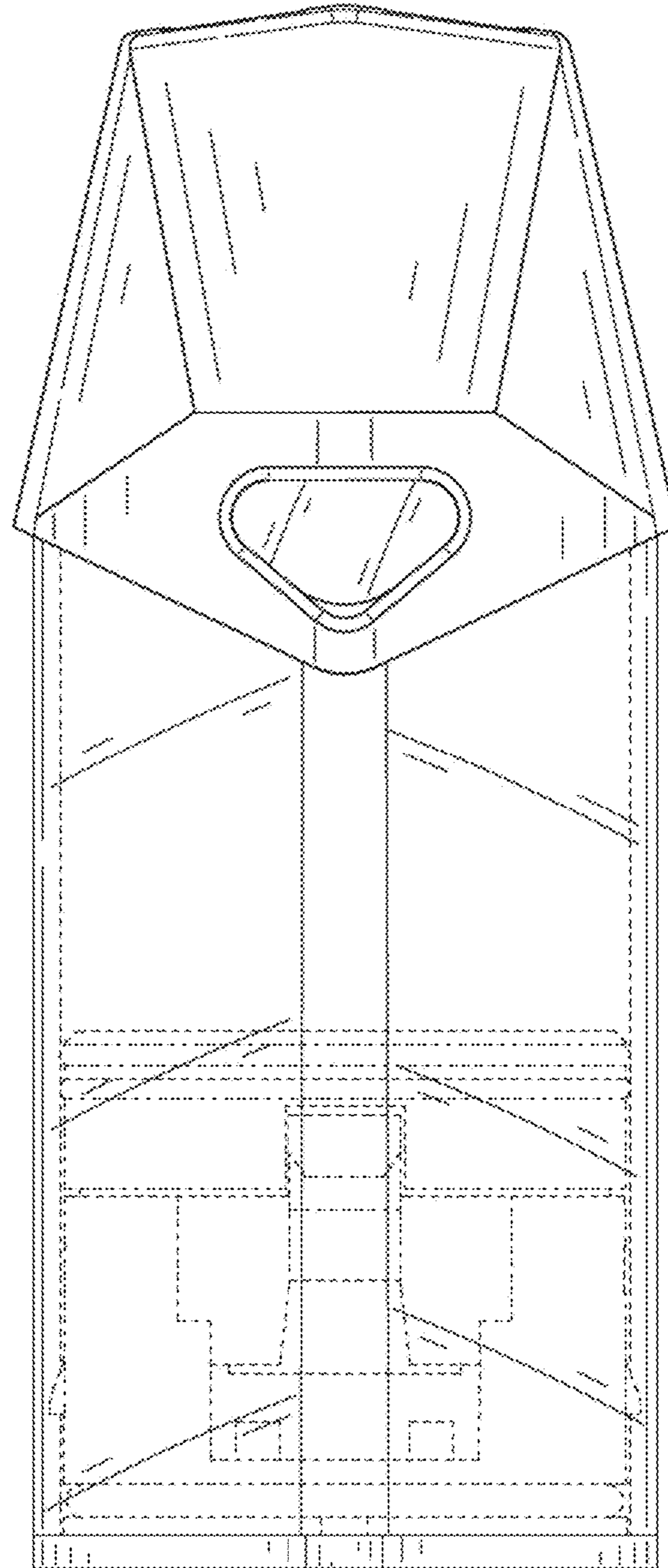


FIG. 2

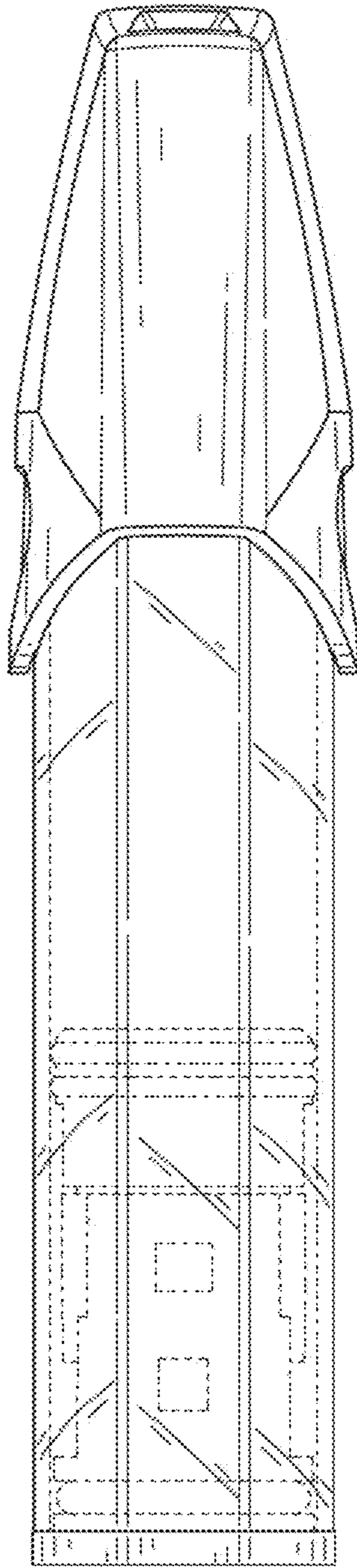


FIG. 3

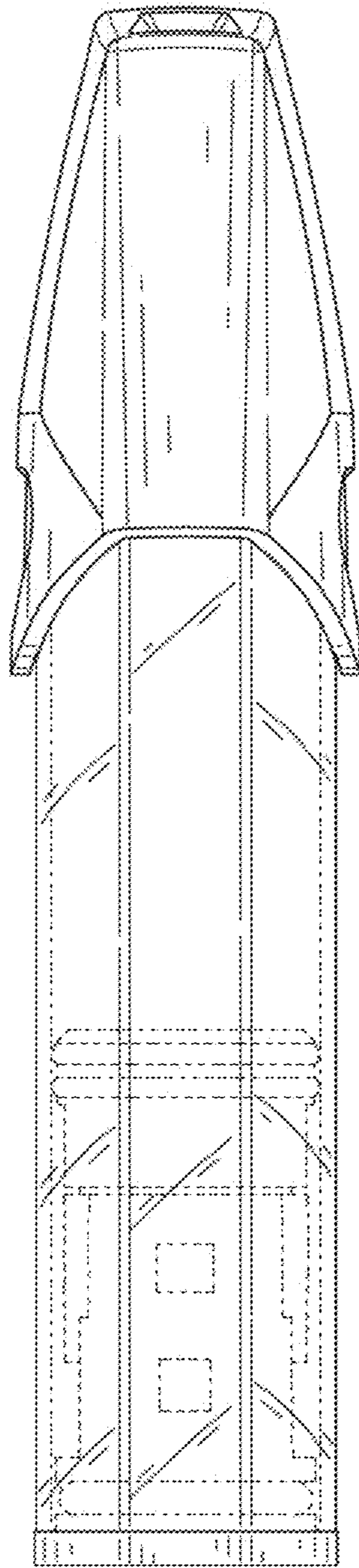


FIG. 4

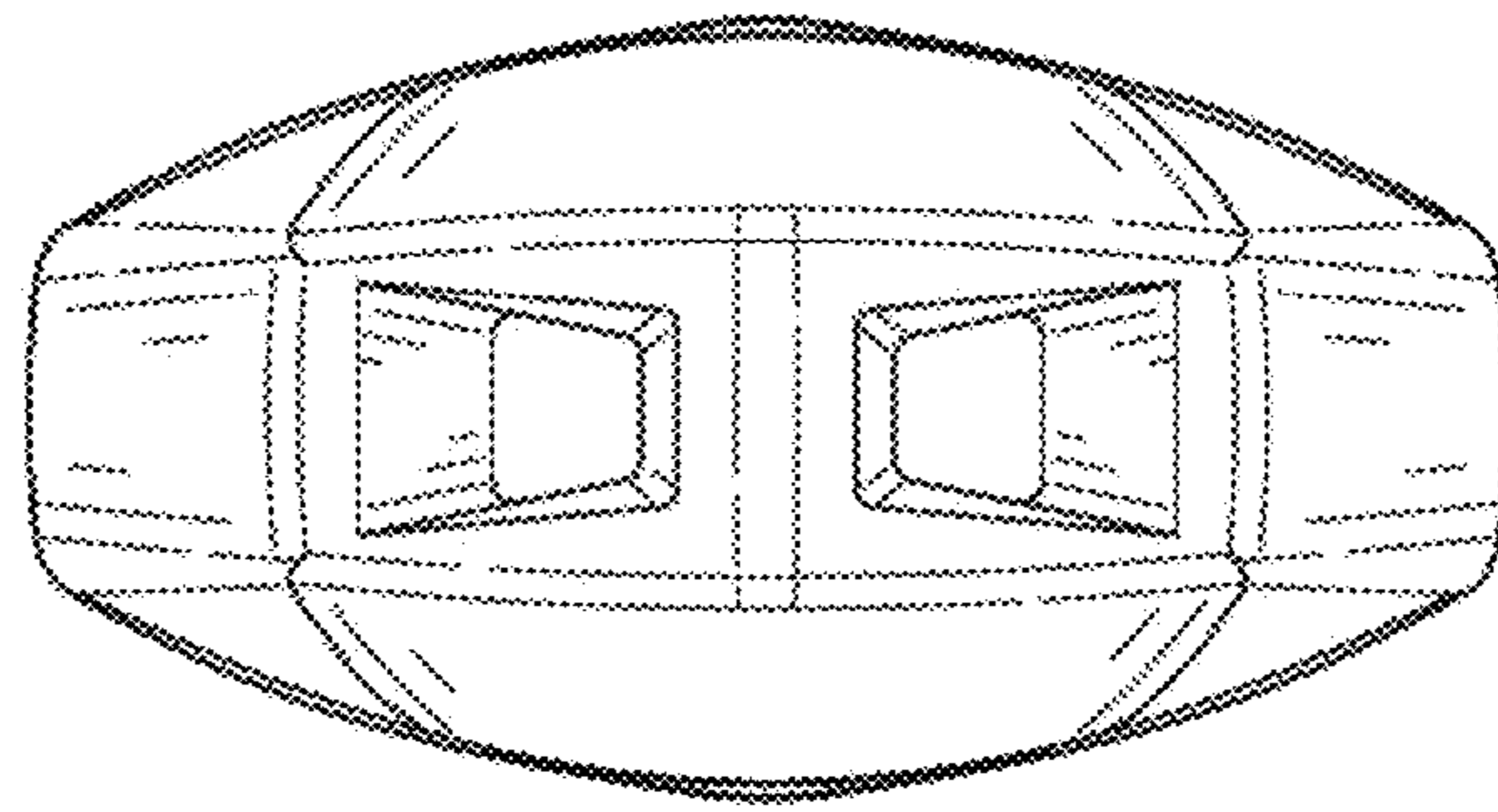


FIG. 5

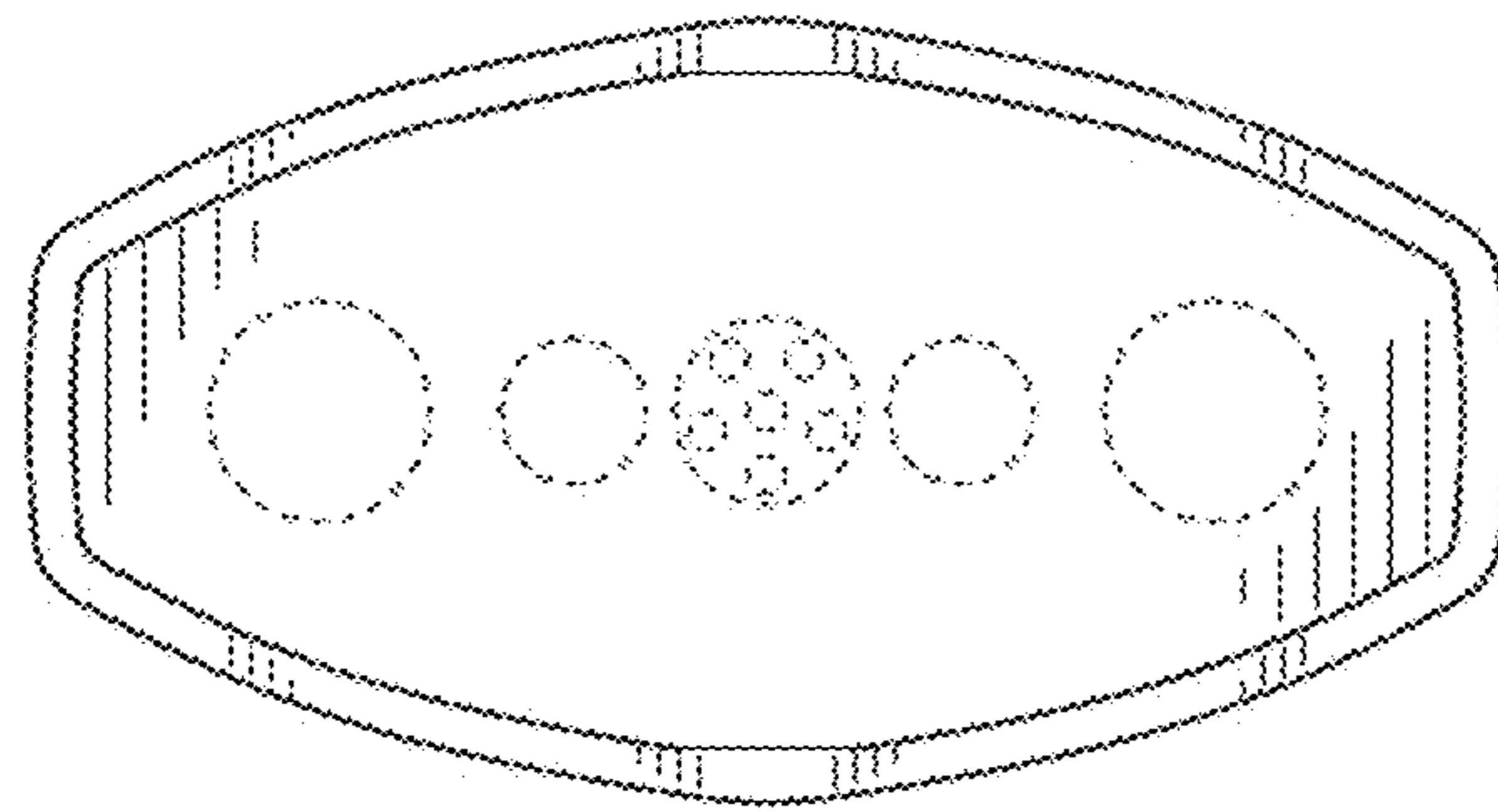


FIG. 6

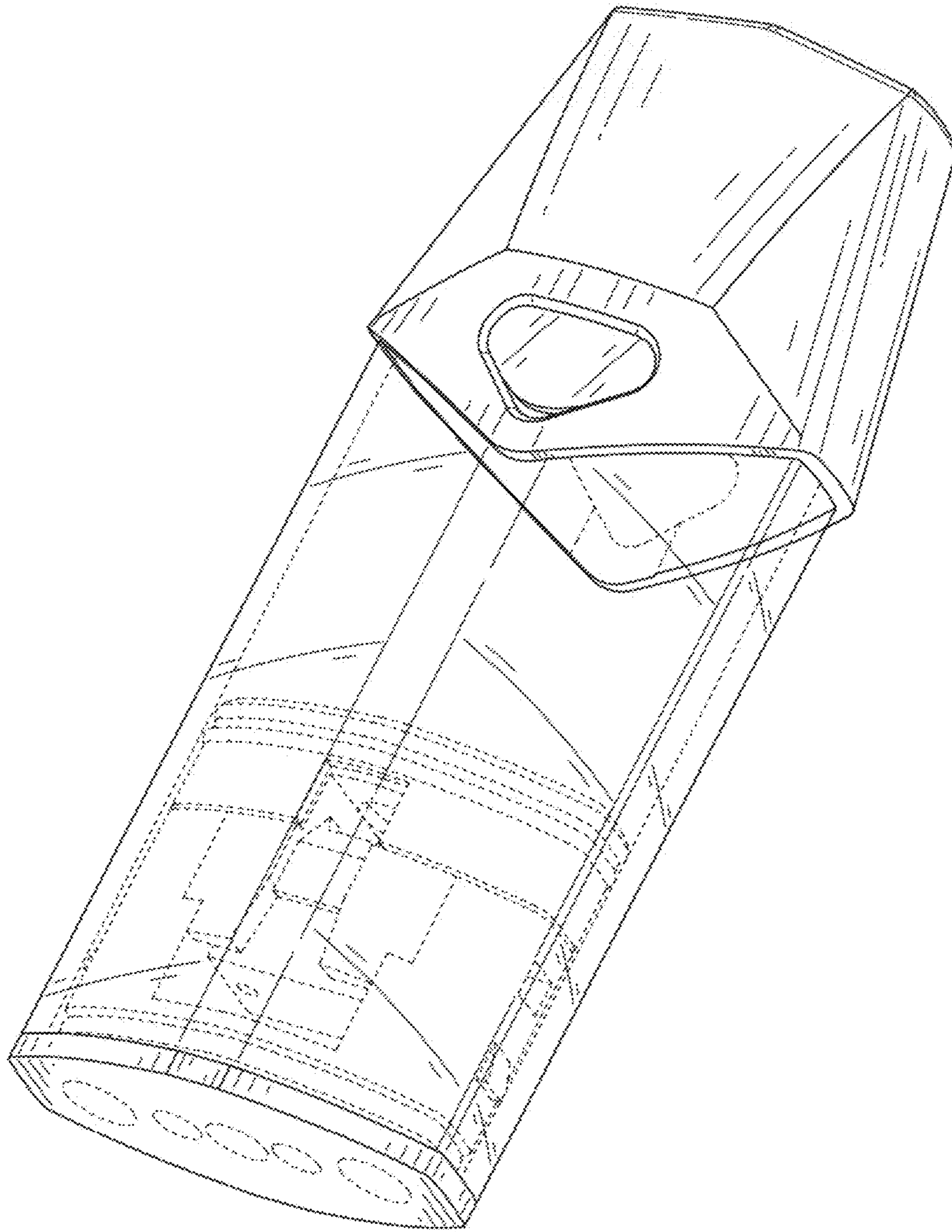


FIG. 7

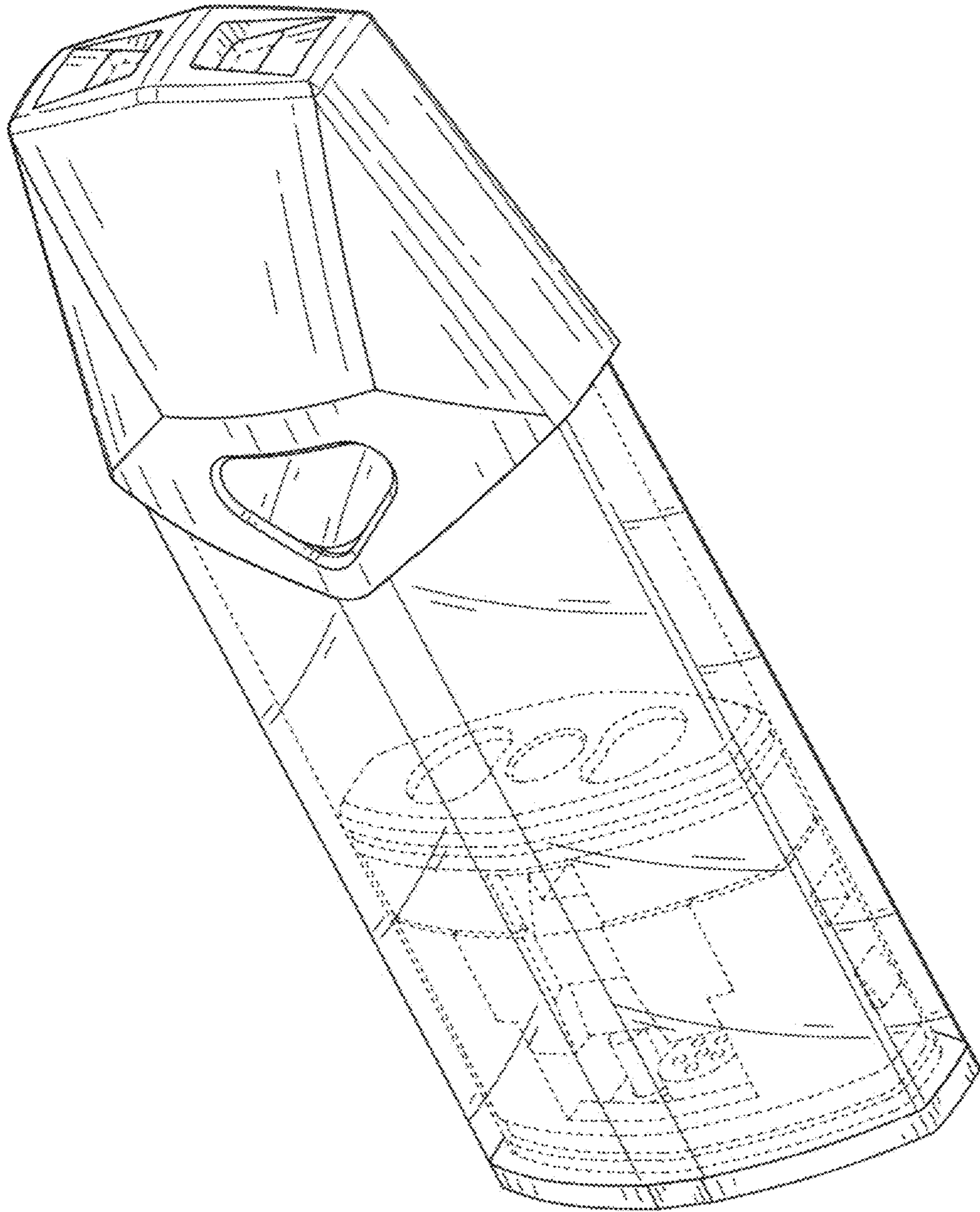


FIG. 8

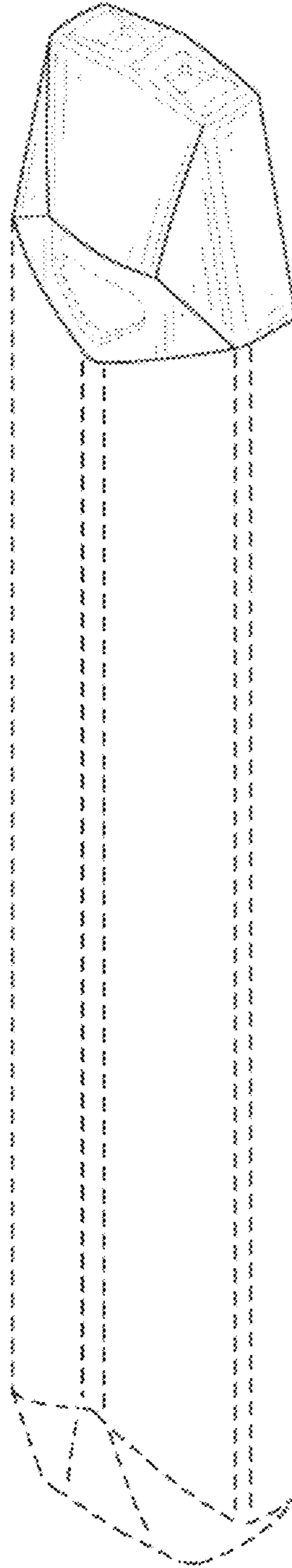


FIG. 9

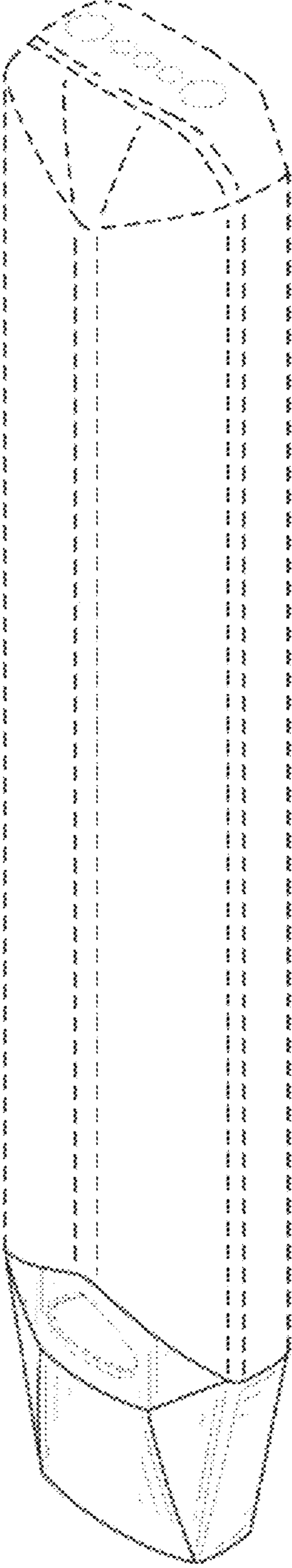


FIG. 10

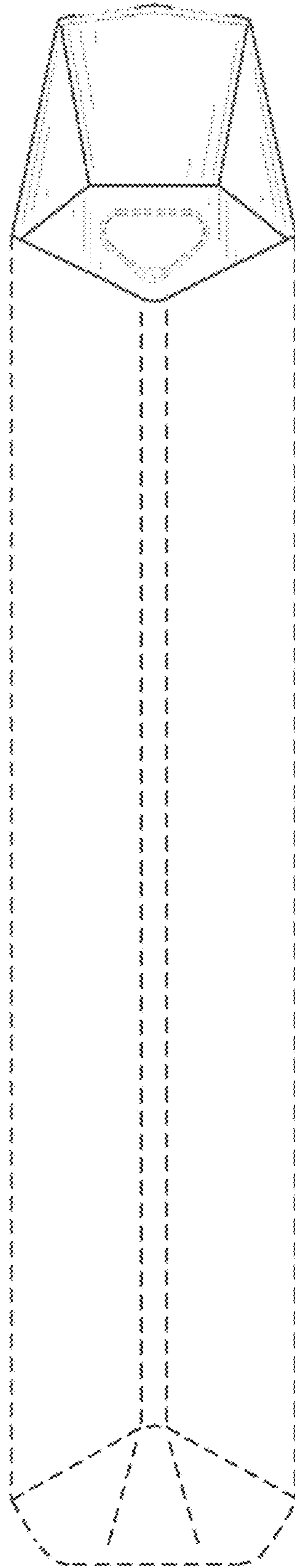


FIG. 11

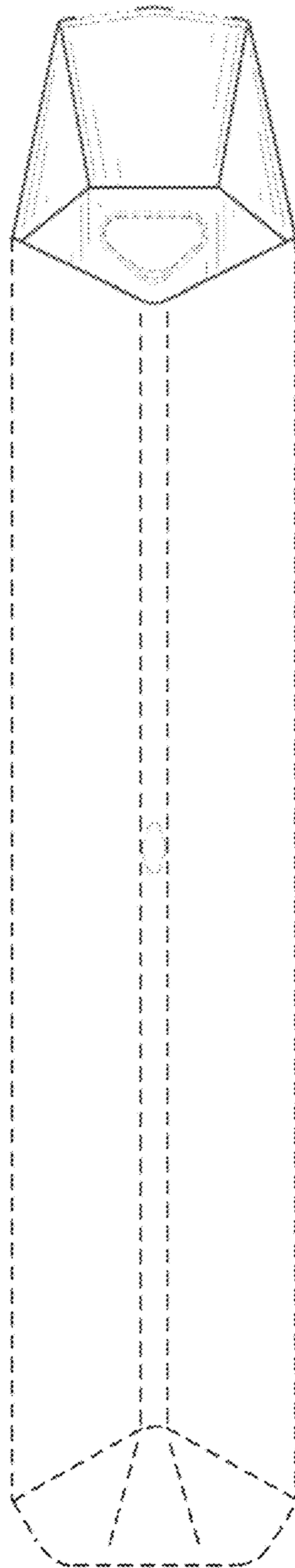


FIG. 12

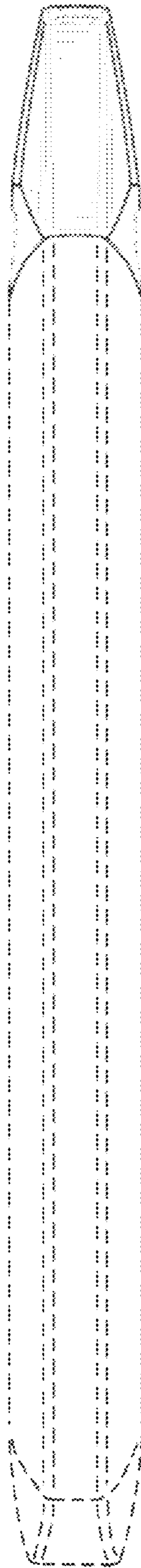


FIG. 13

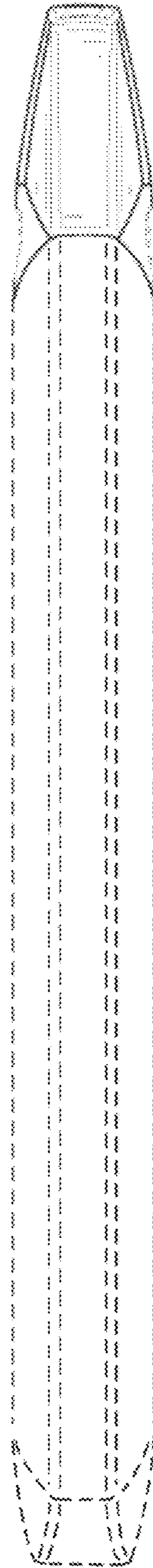


FIG. 14

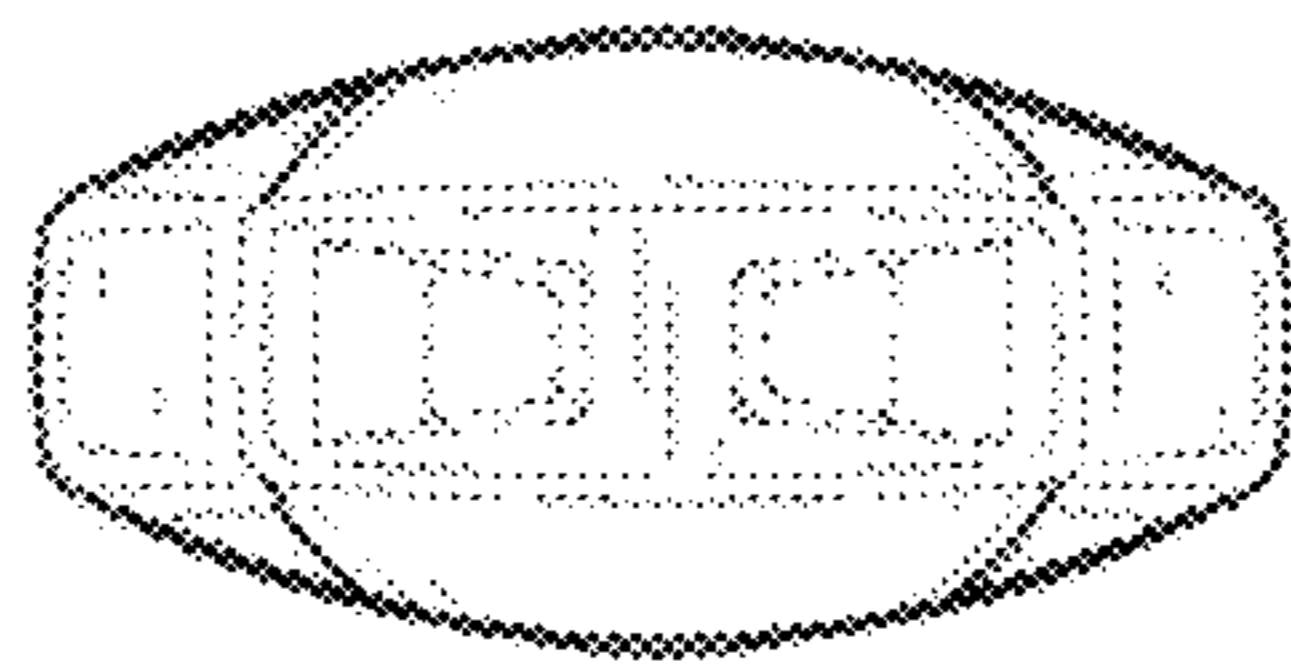


FIG. 15



FIG. 16