



US00D907842S

(12) **United States Design Patent**
Mackin

(10) **Patent No.:** **US D907,842 S**

(45) **Date of Patent:** **** Jan. 12, 2021**

(54) **DOCK LIGHT ARM**

(71) Applicant: **Tri Lite, Inc.**, Chicago, IL (US)

(72) Inventor: **Michael P. Mackin**, Chicago, IL (US)

(73) Assignee: **TRI LITE, INC.**, Chicago, IL (US)

(**) Term: **15 Years**

(21) Appl. No.: **29/693,684**

(22) Filed: **Jun. 4, 2019**

(51) **LOC (13) Cl.** **26-05**

(52) **U.S. Cl.**

USPC **D26/138**

(58) **Field of Classification Search**

USPC D26/63, 72, 74, 76, 78-83, 85, 86, 88,
D26/90, 93, 111, 113, 118, 119, 120, 121,
D26/122, 138, 139, 140, 141, 142, 152
CPC F21S 2/00; F21S 4/00; F21S 4/003; F21S
4/005; F21S 4/006; F21S 4/007; F21S
4/008; F21S 6/00; F21S 8/00; F21S
8/024; F21S 8/026; F21S 8/031; F21S
8/033; F21S 8/035-037; F21S 8/04; F21S
8/043; F21S 8/063

See application file for complete search history.

(56) **References Cited**

U.S. PATENT DOCUMENTS

2,280,402	A	4/1942	Greppin	
3,696,240	A	10/1972	Potter	
4,818,170	A	4/1989	Fisher et al.	
D359,225	S *	6/1995	Reed	D26/138
5,709,458	A	1/1998	Metz	
D393,921	S *	4/1998	Cicoello	D26/138
6,652,114	B2	11/2003	Ancel	
6,781,516	B2	8/2004	Reynard et al.	
6,812,849	B1	11/2004	Ancel	
7,101,064	B2	9/2006	Ancel	
7,533,431	B2	5/2009	Hochstein et al.	
D608,047	S *	1/2010	Scheper	D26/138
D620,165	S *	7/2010	Huang	D26/63

D636,927	S *	4/2011	Lin	D26/138
7,988,327	B1	8/2011	Knoble et al.	
D657,905	S *	4/2012	Yu	F21S 8/06 D26/138
D657,906	S *	4/2012	Yu	D26/138
8,366,301	B2	2/2013	Hudson et al.	
8,590,087	B2	11/2013	Swessel et al.	

(Continued)

OTHER PUBLICATIONS

Office Action issued from the US Patent Office for related Application No. U.S. Appl. No. 16/890,902 dated Sep. 29, 2020 (8 pages including form 892).

Primary Examiner — Natasha Vujcic

(74) *Attorney, Agent, or Firm* — Michael Best & Fredrich LLP

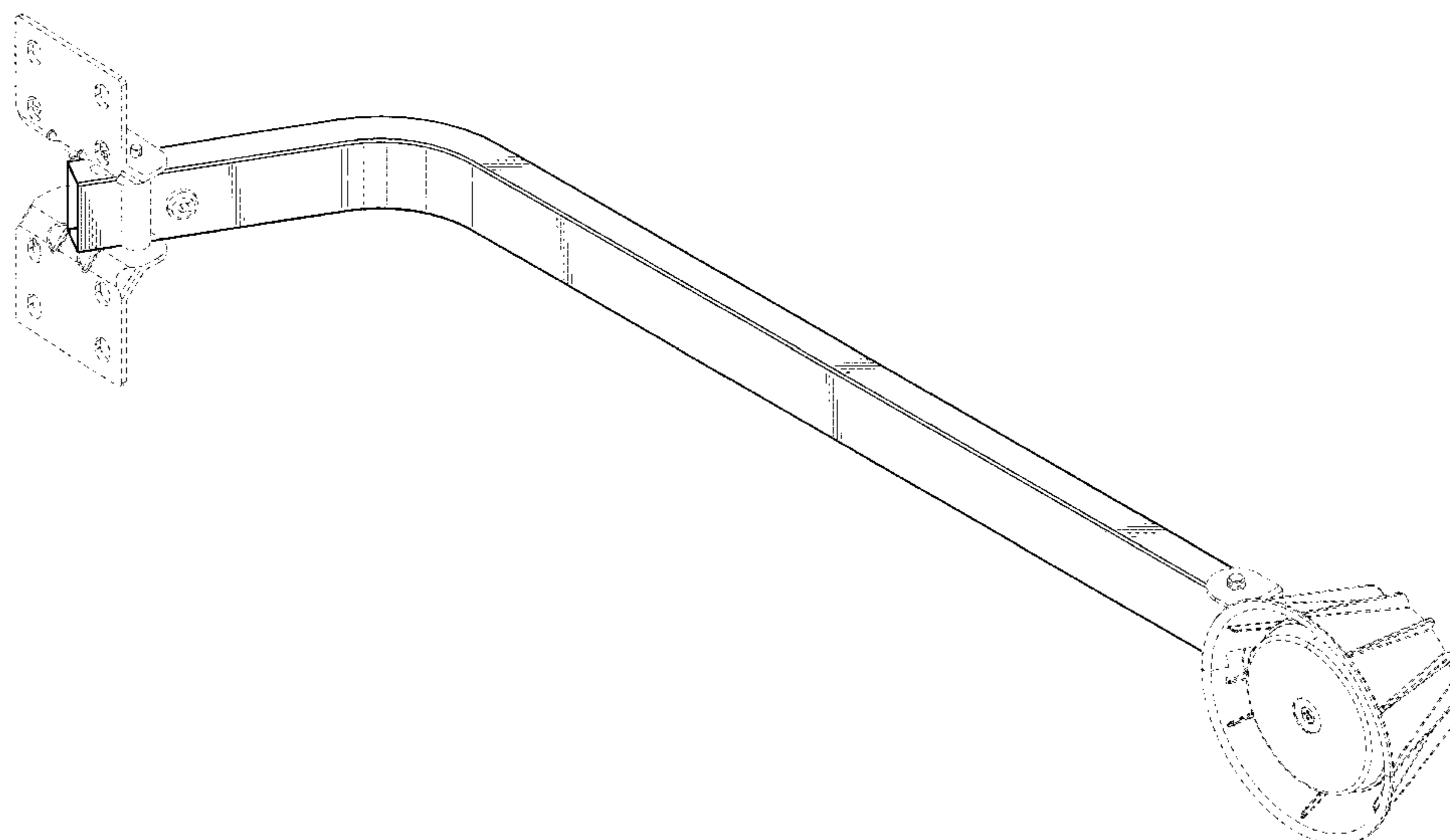
(57) **CLAIM**

The ornamental design for a dock light arm, as shown and described.

DESCRIPTION

FIG. 1 is a front perspective view of a dock light arm showing my new design;
FIG. 2 is a rear perspective view thereof;
FIG. 3 is a top plan view thereof;
FIG. 4 is a front elevational view thereof;
FIG. 5 is a right side elevational view thereof;
FIG. 6 is a bottom plan view thereof;
FIG. 7 is a rear elevational view thereof;
FIG. 8 is a left side elevational view thereof;
FIG. 9 is a front perspective view thereof, showing the design in an alternate environment; and,
FIG. 10 is a front perspective view thereof, showing the design in yet another alternate environment.
The broken lines illustrate environmental structure and unclaimed portions of the dock light arm and form no part of the claimed design.

1 Claim, 6 Drawing Sheets



(56)

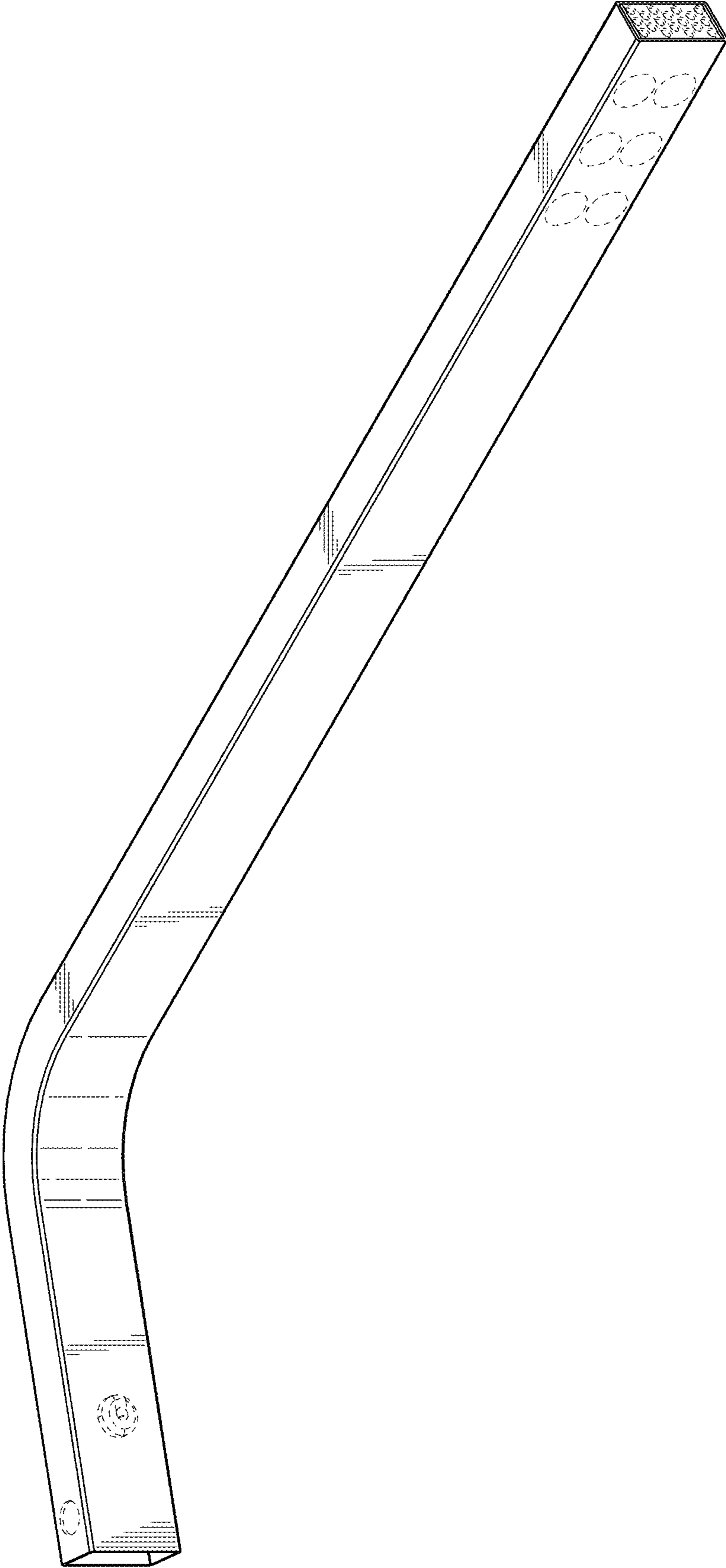
References Cited

U.S. PATENT DOCUMENTS

D729,964 S * 5/2015 Huh D26/63
9,255,699 B2 2/2016 Wiegel et al.
D755,430 S * 5/2016 Waldmann D26/63
D818,177 S 5/2018 Amato et al.
D832,488 S * 10/2018 Yu D26/107
D847,410 S * 4/2019 Stanley D26/138
D856,114 S * 8/2019 Poppell D8/349
D874,710 S * 2/2020 Tong D26/93
D888,317 S * 6/2020 Amato D26/87
D893,790 S * 8/2020 Ng D26/65
2003/0199996 A1 10/2003 Reynard et al.
2005/0028723 A1 2/2005 Aneel
2005/0102042 A1 5/2005 Reynard et al.
2005/0168999 A1 8/2005 Sommers et al.
2011/0075441 A1 3/2011 Swessel et al.
2011/0203059 A1 8/2011 Whitley et al.
2014/0225509 A1 8/2014 Wiegel et al.
2016/0075526 A1 3/2016 Avalos

* cited by examiner

Fig. 1



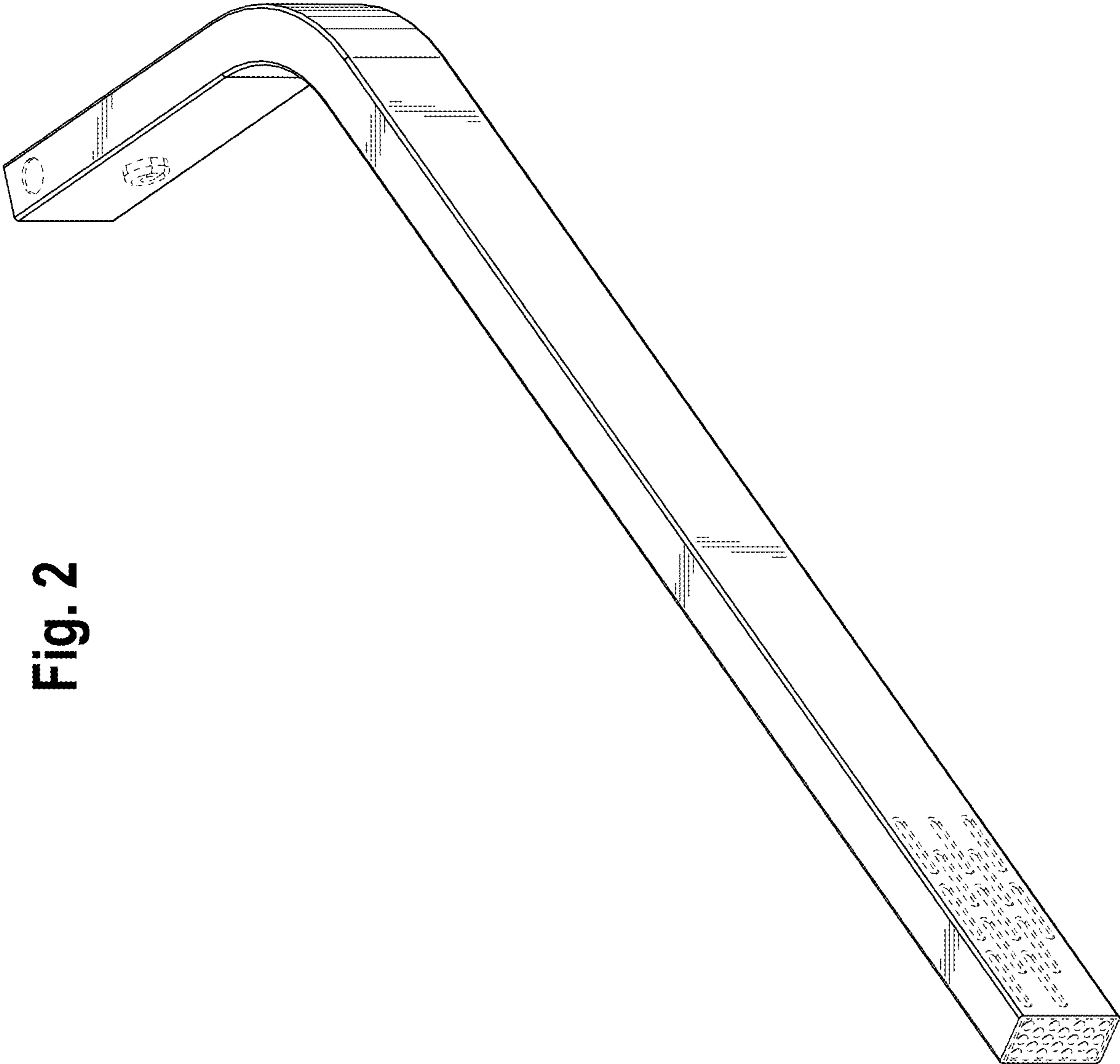


Fig. 2

Fig. 3

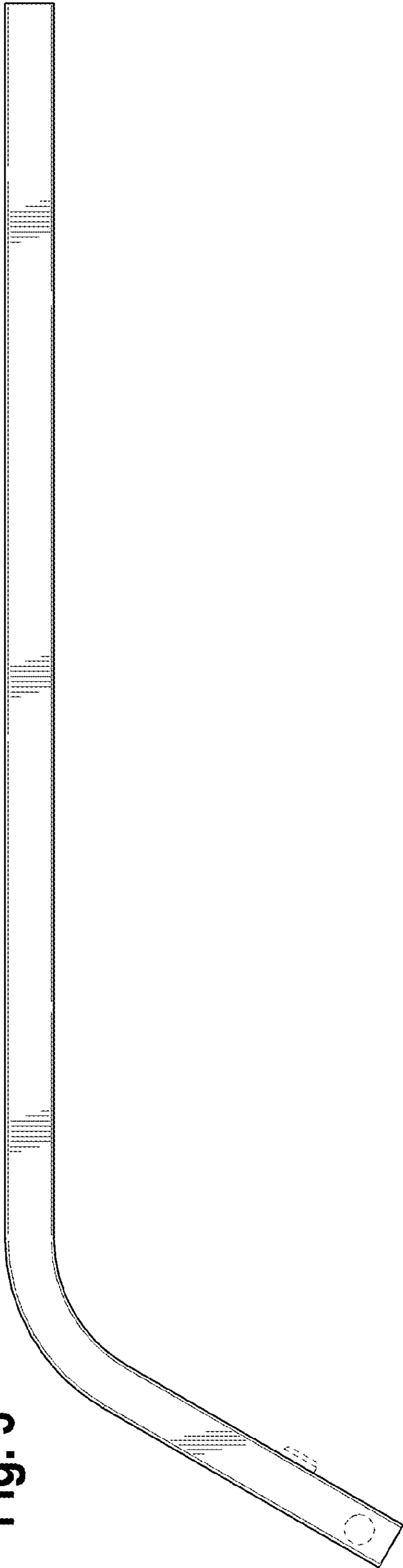


Fig. 4

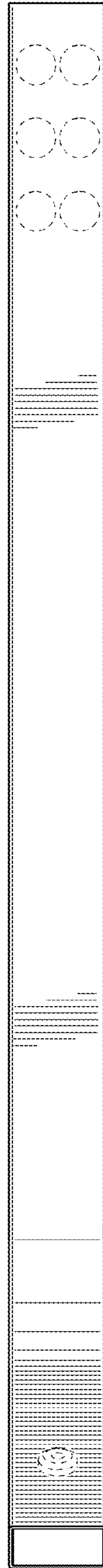


Fig. 5

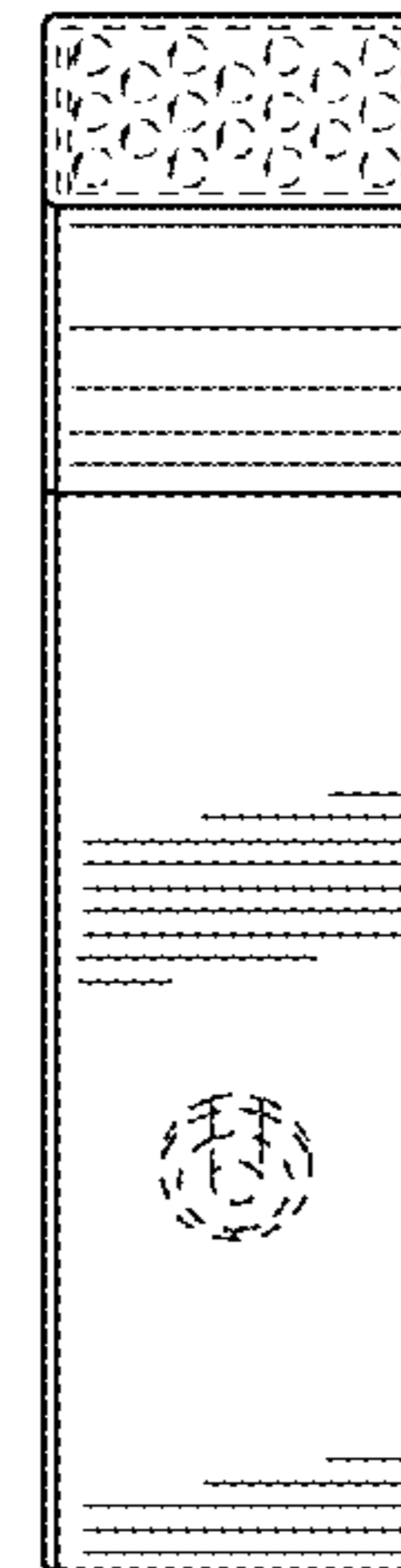


Fig. 6

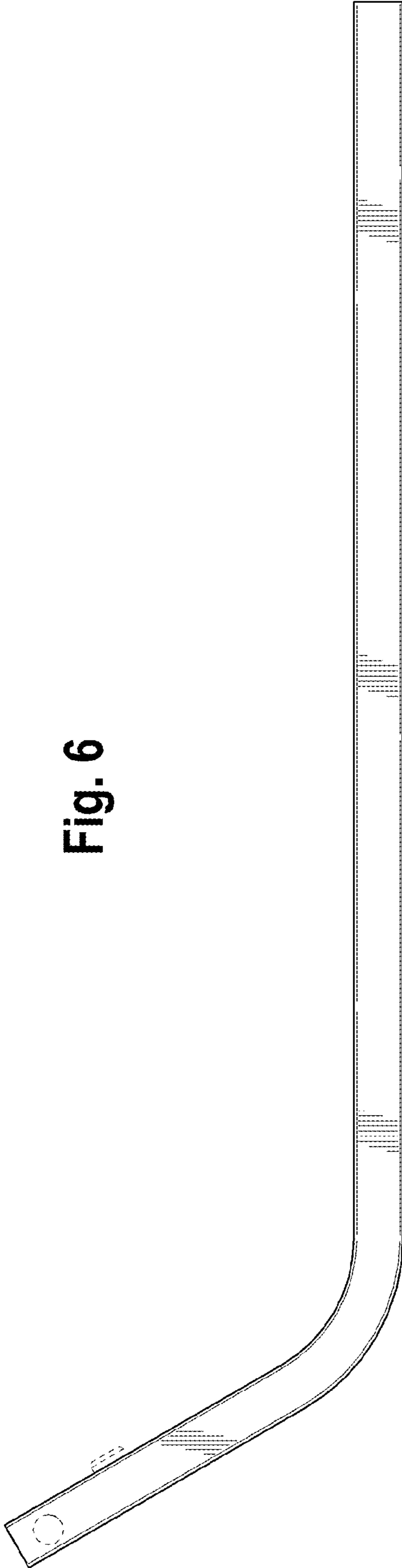


Fig. 7

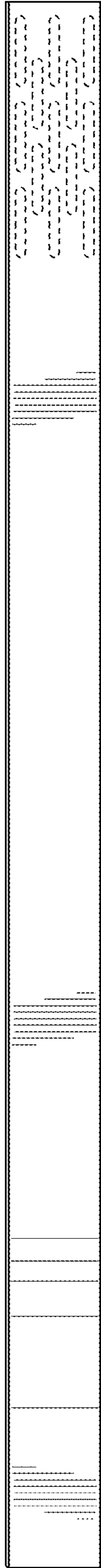


Fig. 8

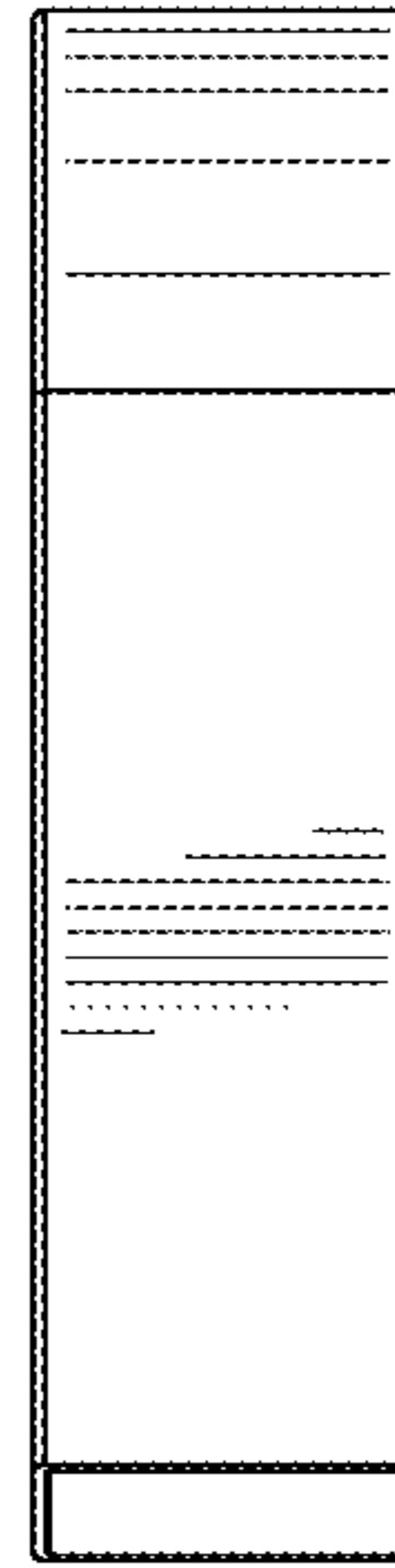


Fig. 9

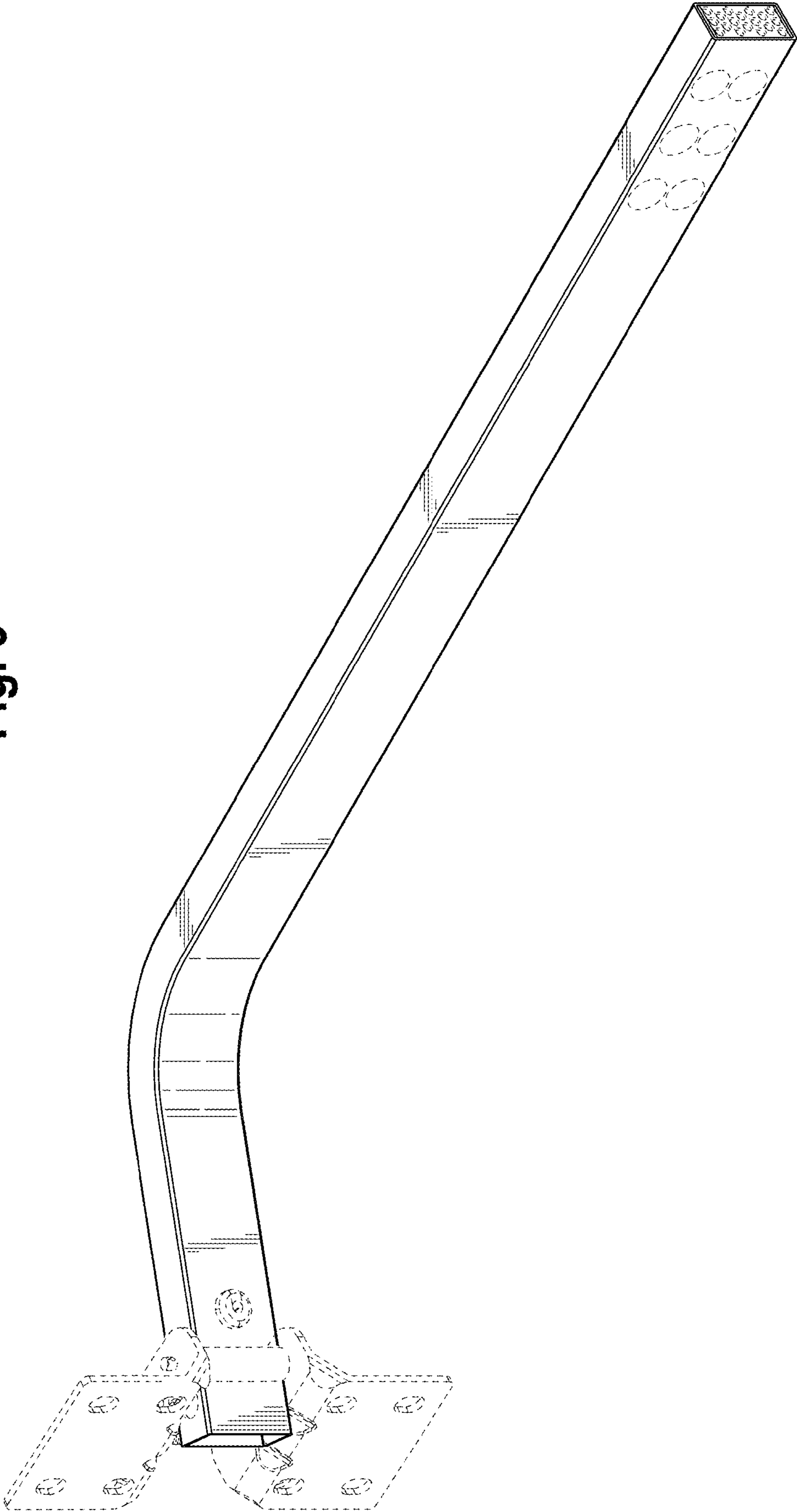


Fig. 10

