

US00D907841S

(12) **United States Design Patent**
Dobin et al.

(10) **Patent No.:** **US D907,841 S**
(45) **Date of Patent:** **** Jan. 12, 2021**

(54) **DECORATIVE COVERING MOUNT**

DESCRIPTION

- (71) Applicant: **VALLEY FORGE FABRICS, INC.**,
Fort Lauderdale, FL (US)
- (72) Inventors: **J Michael Dobin**, Fort Lauderdale, FL
(US); **Michael Handler**, Walpole, MA
(US)
- (73) Assignee: **VALLEY FORGE FABRICS, INC.**,
Fort Lauderdale, FL (US)
- (**) Term: **15 Years**
- (21) Appl. No.: **29/659,988**
- (22) Filed: **Aug. 14, 2018**

Related U.S. Application Data

- (63) Continuation-in-part of application No. 16/052,703,
filed on Aug. 2, 2018.
- (51) **LOC (13) Cl.** **26-05**
- (52) **U.S. Cl.**
USPC **D26/138; D26/76**
- (58) **Field of Classification Search**
USPC D26/63, 72, 74, 76, 78-83, 85, 86, 88,
D26/90, 93, 111, 113, 118, 119, 120, 121,
D26/122, 138, 139, 140, 141, 142, 152
(Continued)

(56) **References Cited**

U.S. PATENT DOCUMENTS

- 4,323,955 A * 4/1982 Mark F21S 8/06
362/223
- D470,262 S * 2/2003 Yiu D26/76
(Continued)

Primary Examiner — Natasha Vujcic

(74) *Attorney, Agent, or Firm* — The Plus IP Firm; Derek Fahey

(57) **CLAIM**

The ornamental design for a decorative covering mount, as shown and described.

FIG. 1 is a first perspective view of a decorative covering mount having its endcaps installed thereon, showing the new design;

FIG. 2 is a second perspective view of the decorative covering mount having its endcaps installed thereon;

FIG. 3 is a third perspective view of the decorative covering mount having its endcaps installed thereon;

FIG. 4 is a top view of the decorative covering mount having its endcaps installed thereon;

FIG. 5 is a bottom view of the decorative covering mount having its endcaps installed thereon;

FIG. 6 is a front of the decorative covering mount having its endcaps installed thereon;

FIG. 7 is a rear view of the decorative covering mount having its endcaps installed thereon;

FIG. 8 is a side view of the decorative covering mount having its endcaps installed thereon;

FIG. 9 is a first perspective view of the decorative covering mount of FIG. 1, shown without having its endcaps installed thereon;

FIG. 10 is a second perspective view of the decorative covering mount without having its endcaps installed thereon;

FIG. 11 is a third perspective view of the decorative covering mount without having its endcaps installed thereon;

FIG. 12 is a top view of the decorative covering mount without having its endcaps installed thereon;

FIG. 13 is a bottom view of the decorative covering mount without having its endcaps installed thereon;

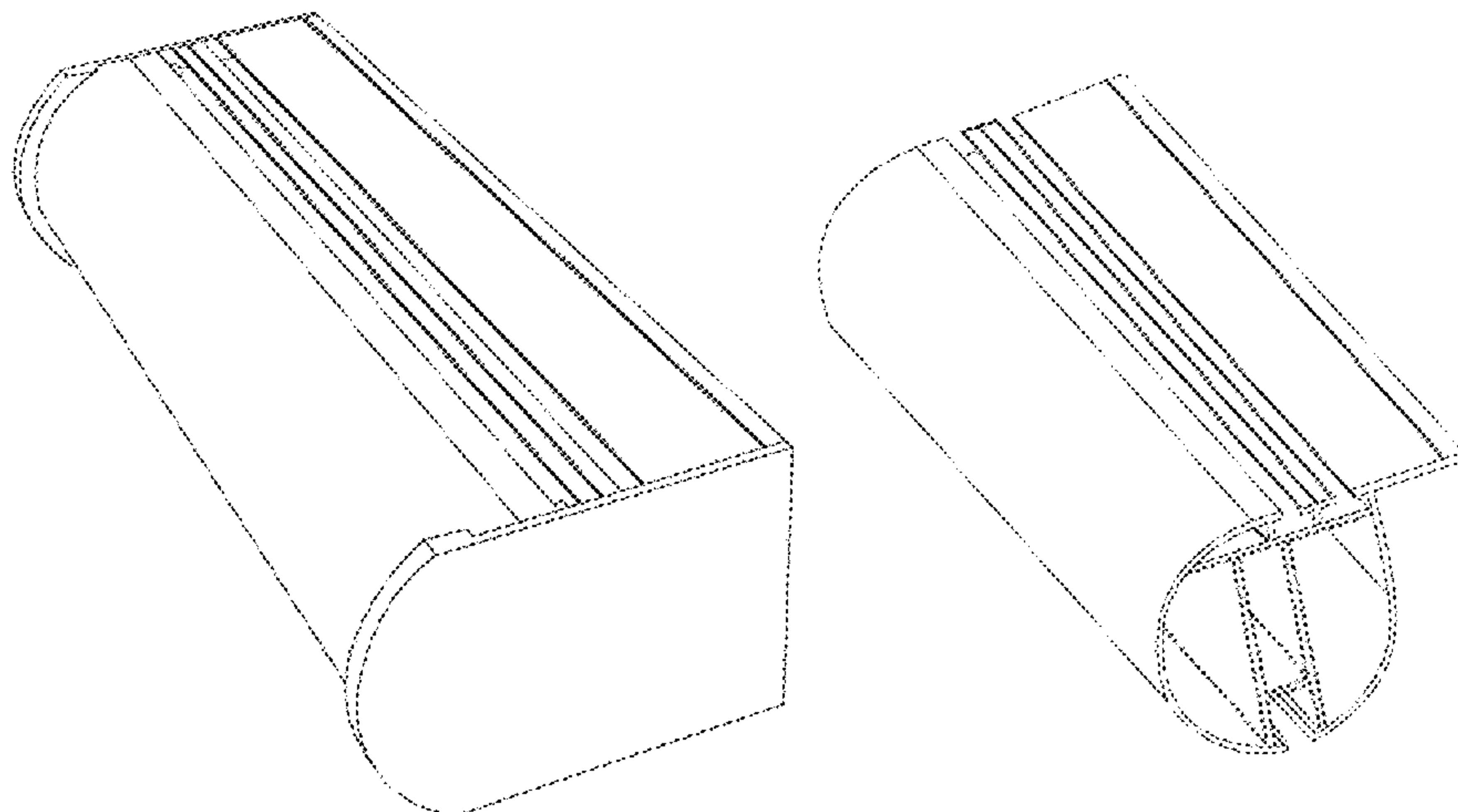
FIG. 14 is a front of the decorative covering mount without having its endcaps installed thereon;

FIG. 15 is a rear view of the decorative covering mount without having its endcaps installed thereon; and,

FIG. 16 is a side view of the decorative covering mount without having its endcaps installed thereon.

In FIG. 16, the large broken or hashed lines above the decorative covering mount illustrate a ceiling and the large broken or hashed lines proximate to the bottom illustrate a carrier positioned within a channel of the decorative covering mount, both forming no part of the claimed design. The broken lines inside the mount in FIGS. 9, 10, 11 and 16 form no part of the claimed design.

1 Claim, 16 Drawing Sheets



(58) **Field of Classification Search**

CPC F21S 2/00; F21S 4/00; F21S 4/003; F21S
4/005; F21S 4/006; F21S 4/007; F21S
4/008; F21S 6/00; F21S 8/00; F21S
8/024; F21S 8/026; F21S 8/031; F21S
8/033; F21S 8/035-037; F21S 8/04; F21S
8/043; F21S 8/063

See application file for complete search history.

(56) **References Cited**

U.S. PATENT DOCUMENTS

D600,401 S * 9/2009 Varrin D26/138
D627,905 S * 11/2010 Swafford, Jr. D26/24
D650,939 S * 12/2011 Edwards, Jr. D26/138
D650,940 S * 12/2011 Katz D26/138
D663,065 S * 7/2012 Beghelli D26/76
D698,075 S * 1/2014 Klus D26/138
D698,976 S * 2/2014 Edwards, Jr. D26/75
D716,485 S * 10/2014 McGowan D26/76
D750,308 S * 2/2016 Rodgers D26/76
D819,863 S * 6/2018 Deng D26/76
D831,257 S * 10/2018 Boulanger D26/76
D840,087 S * 2/2019 Zeng D26/76
D850,698 S * 6/2019 Prats D26/76
D858,852 S * 9/2019 Chen D26/76
D862,766 S * 10/2019 Kim D26/76
D889,722 S * 7/2020 Veltri D26/76

* cited by examiner

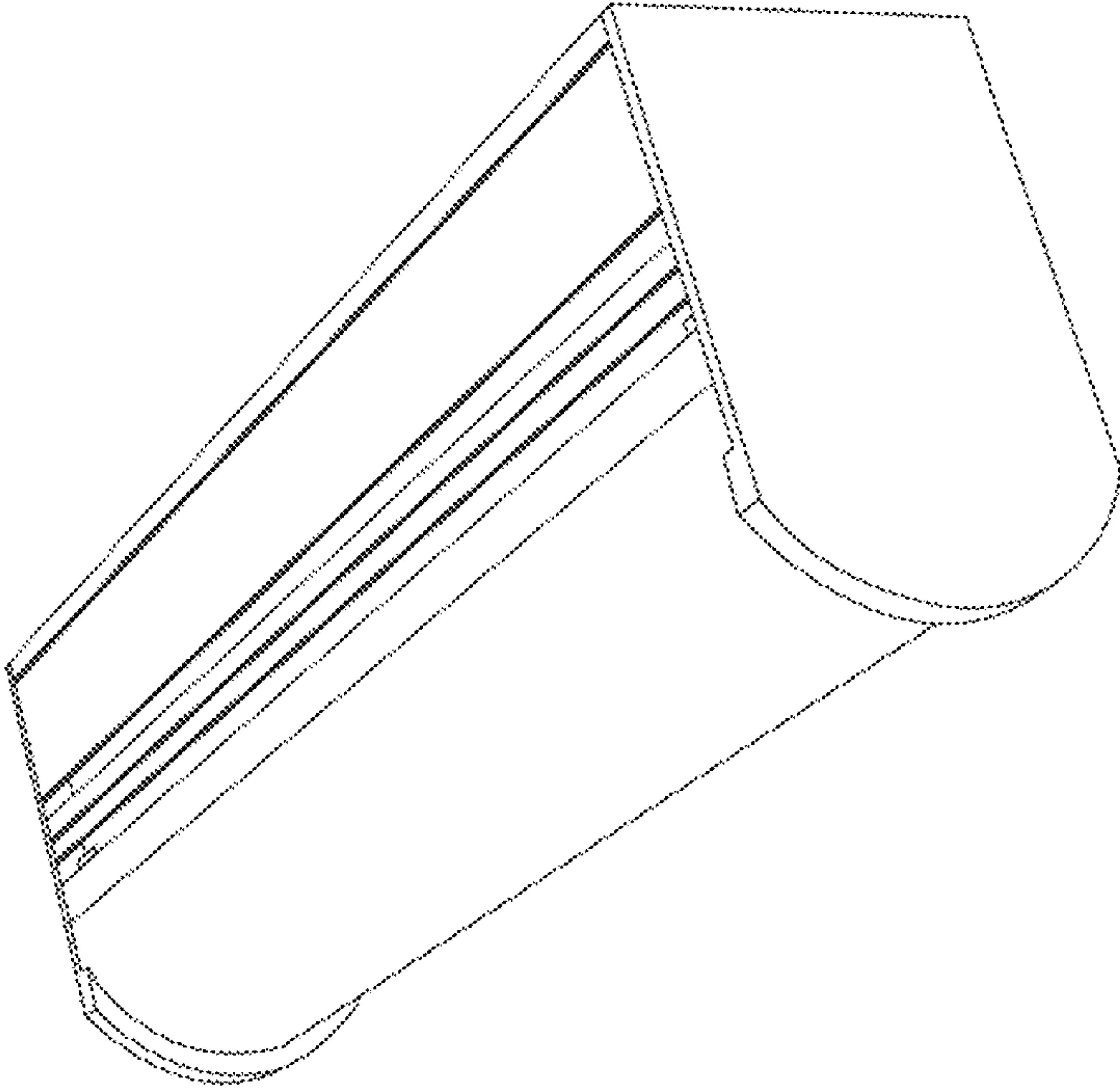


FIG. 1

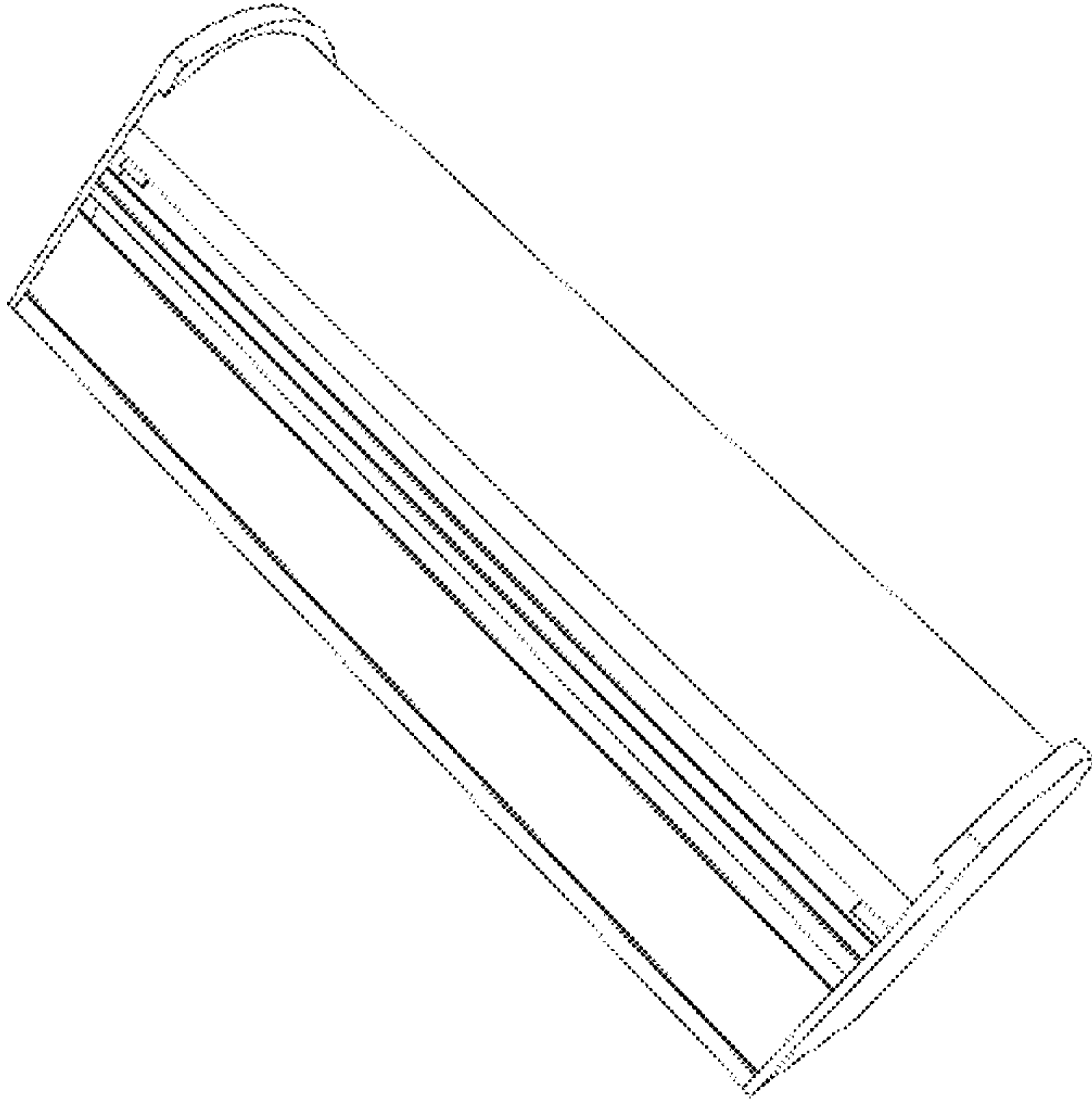


FIG. 2

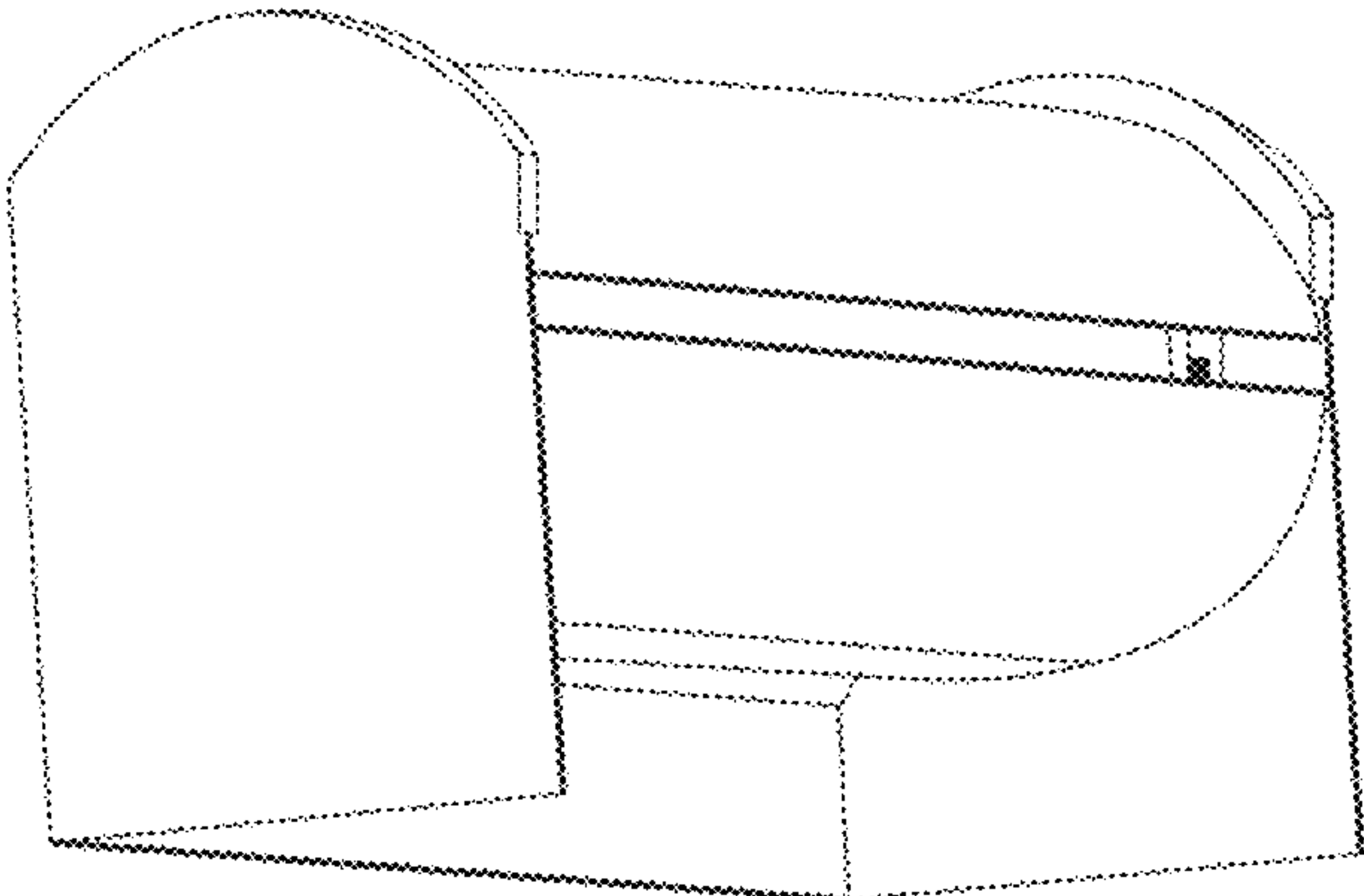


FIG. 3

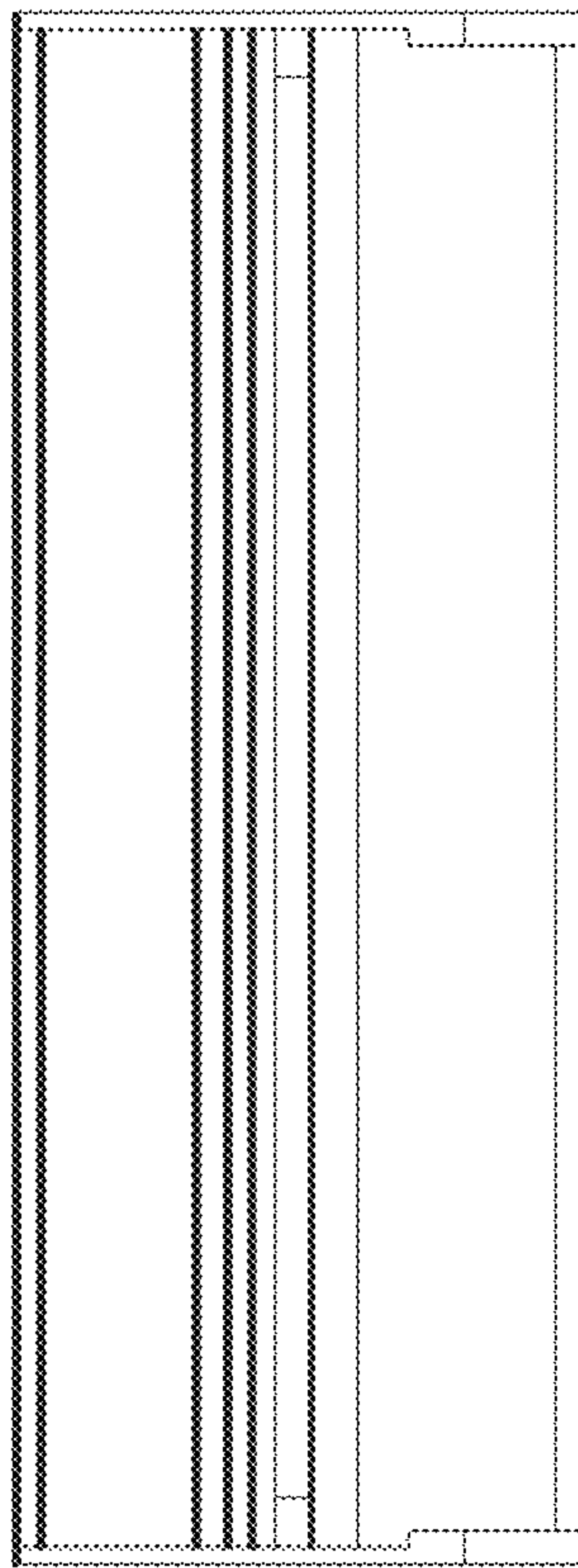


FIG. 4

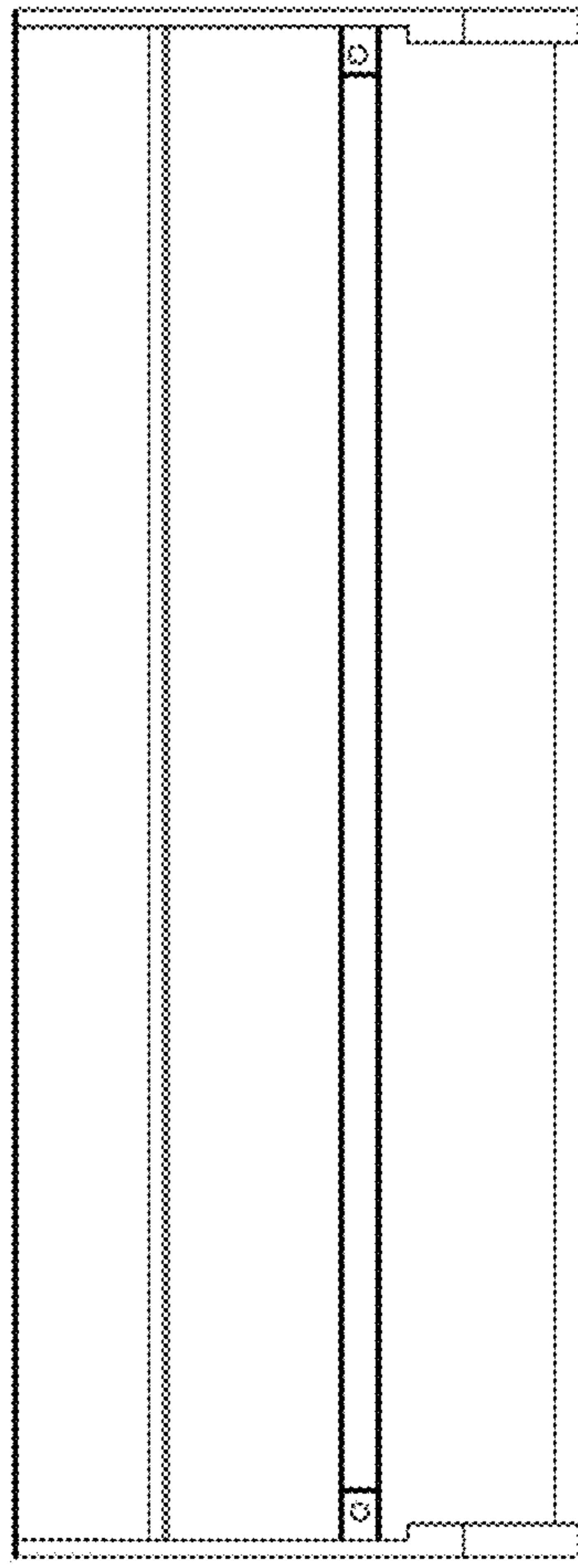


FIG. 5

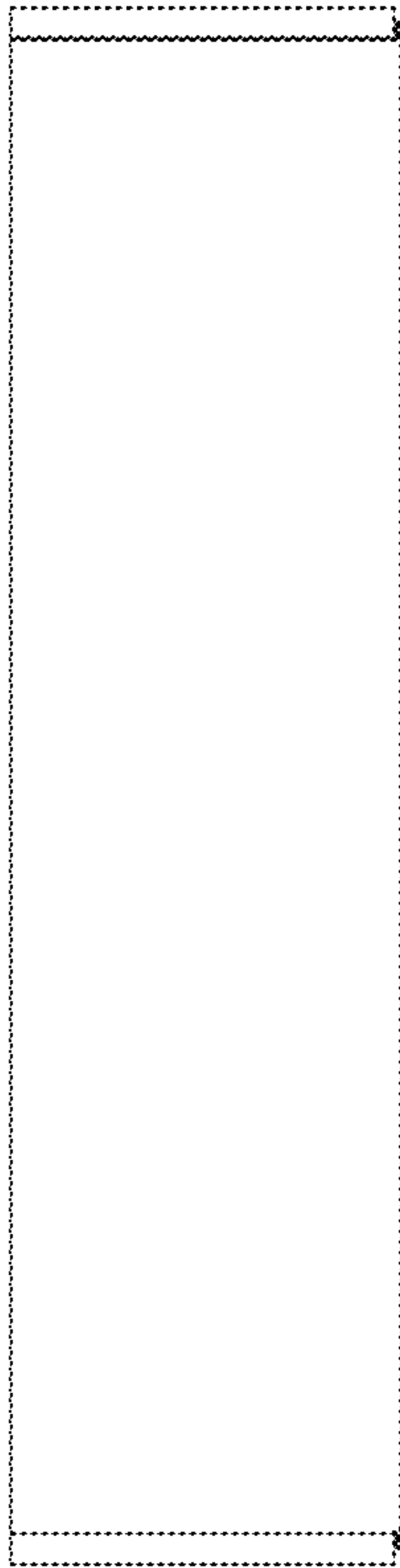


FIG. 6

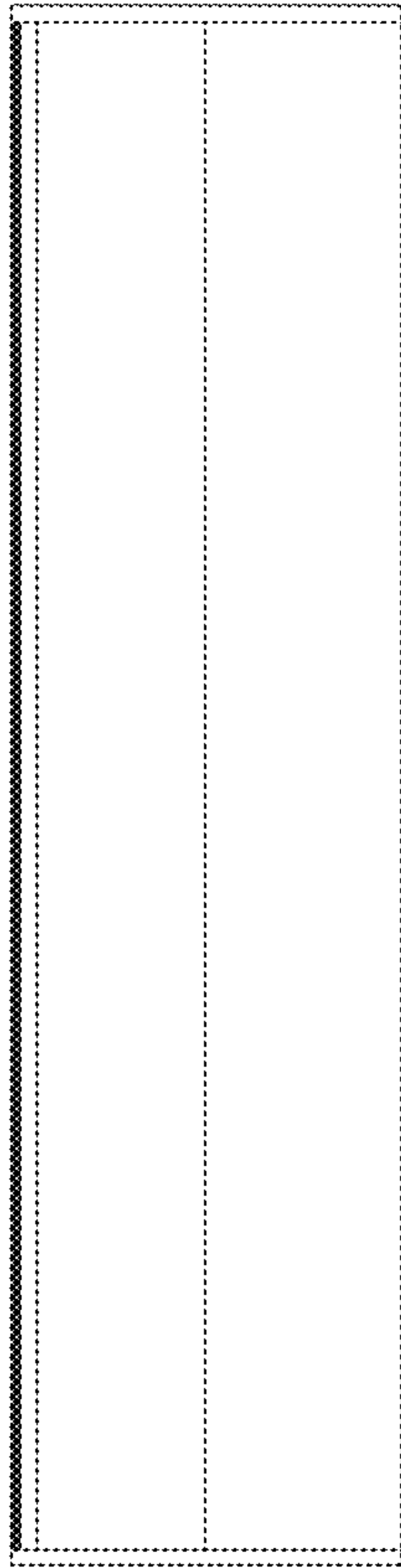


FIG. 7

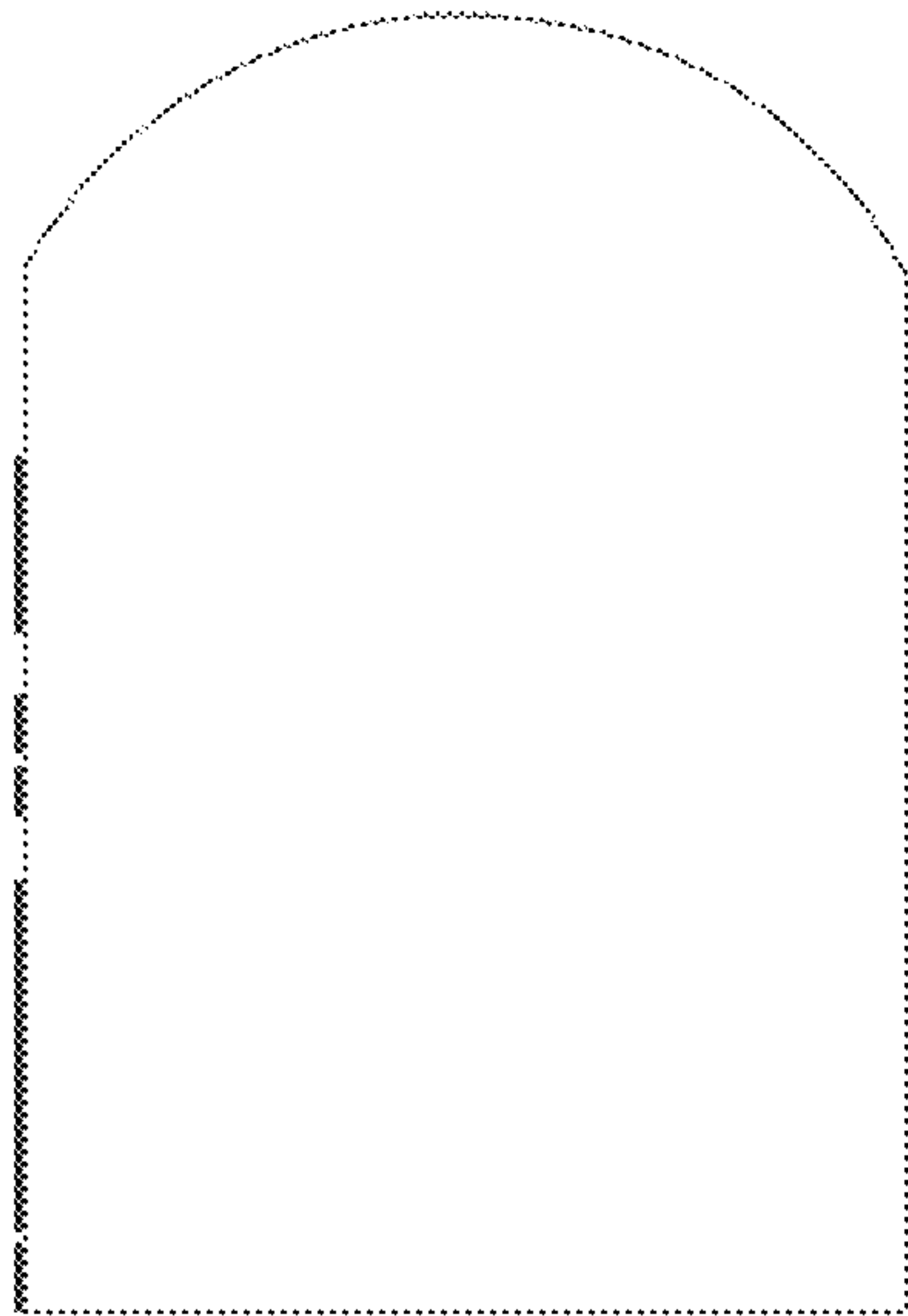


FIG. 8

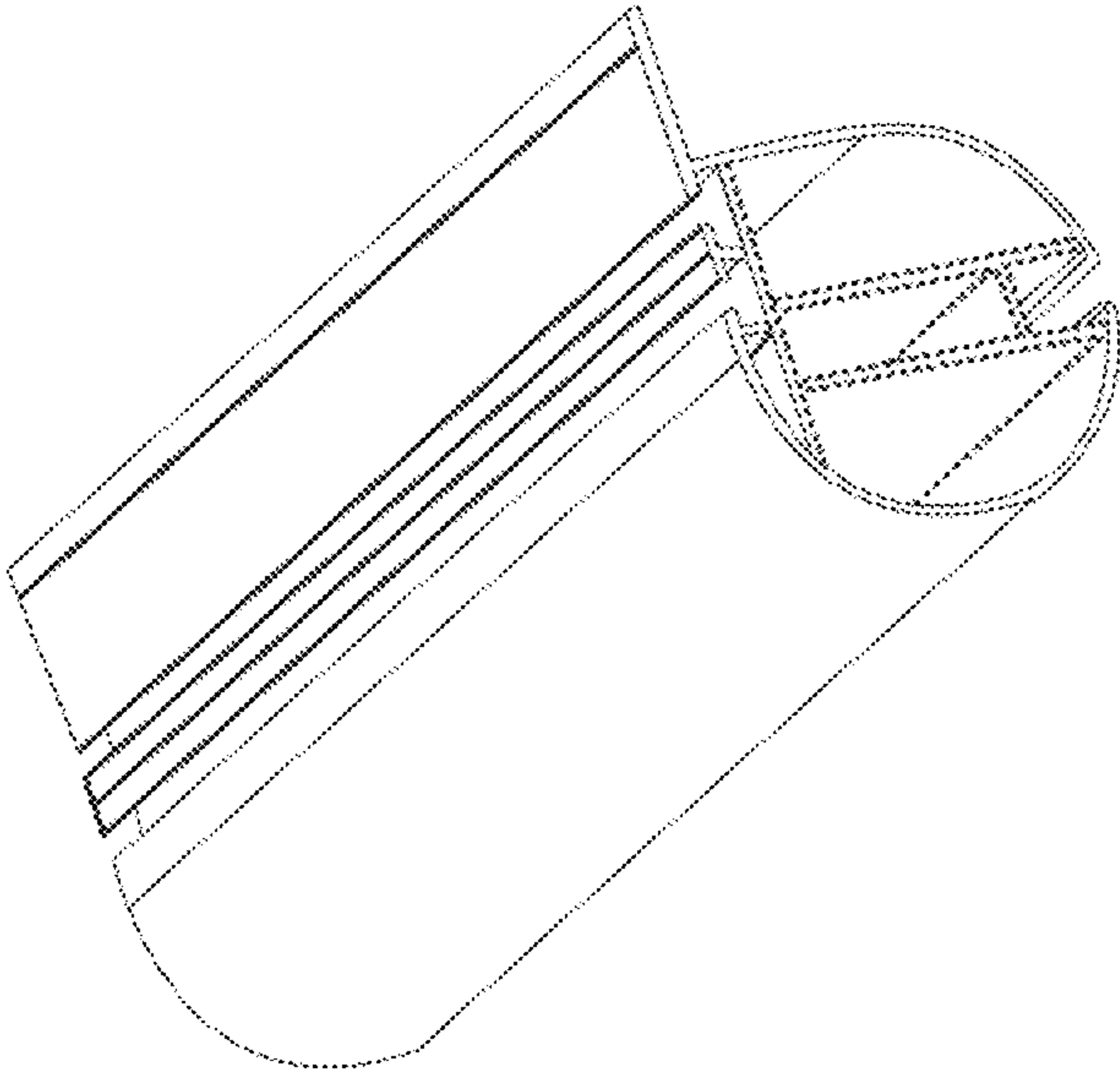


FIG. 9

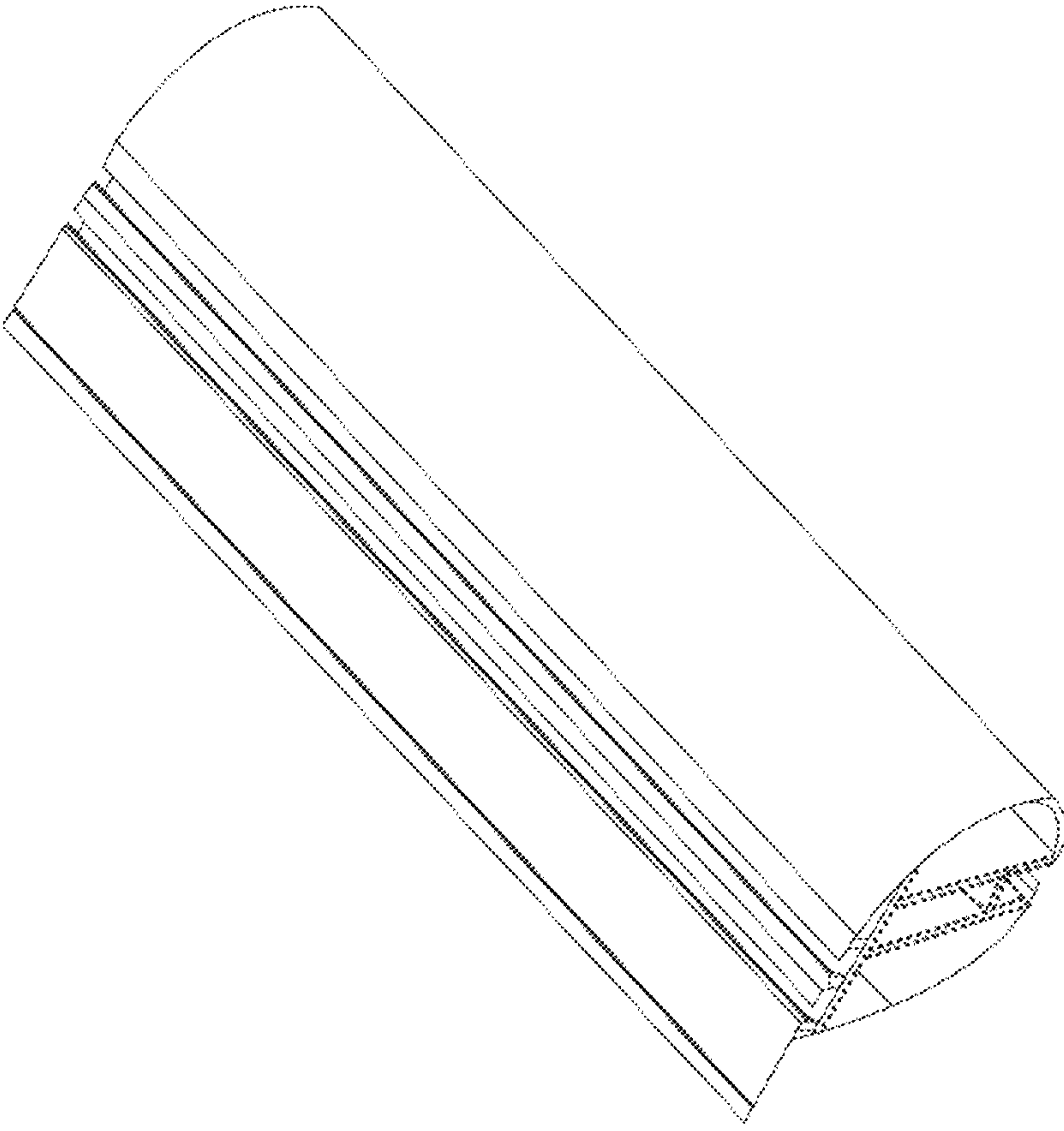


FIG. 10

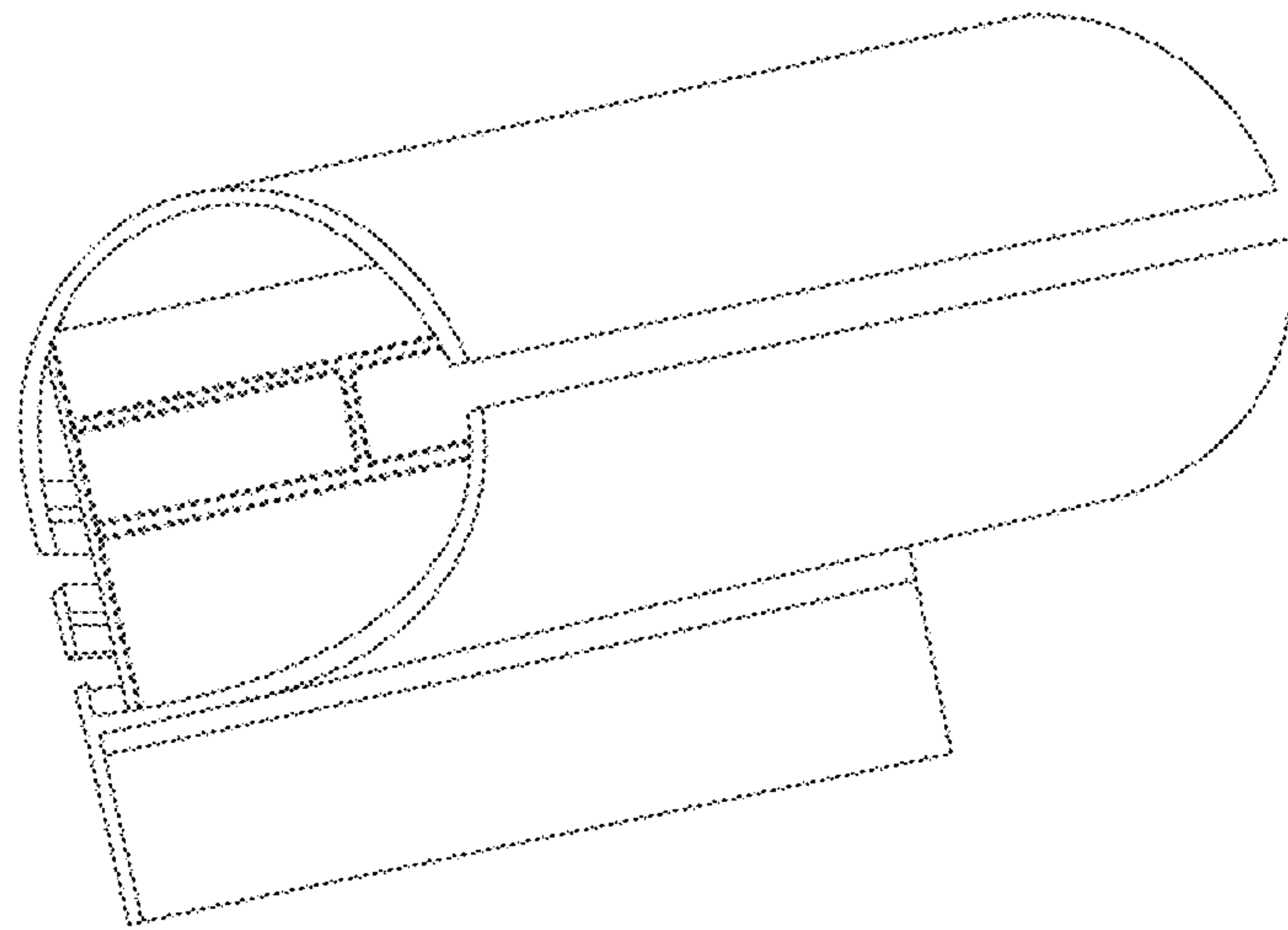


FIG. 11

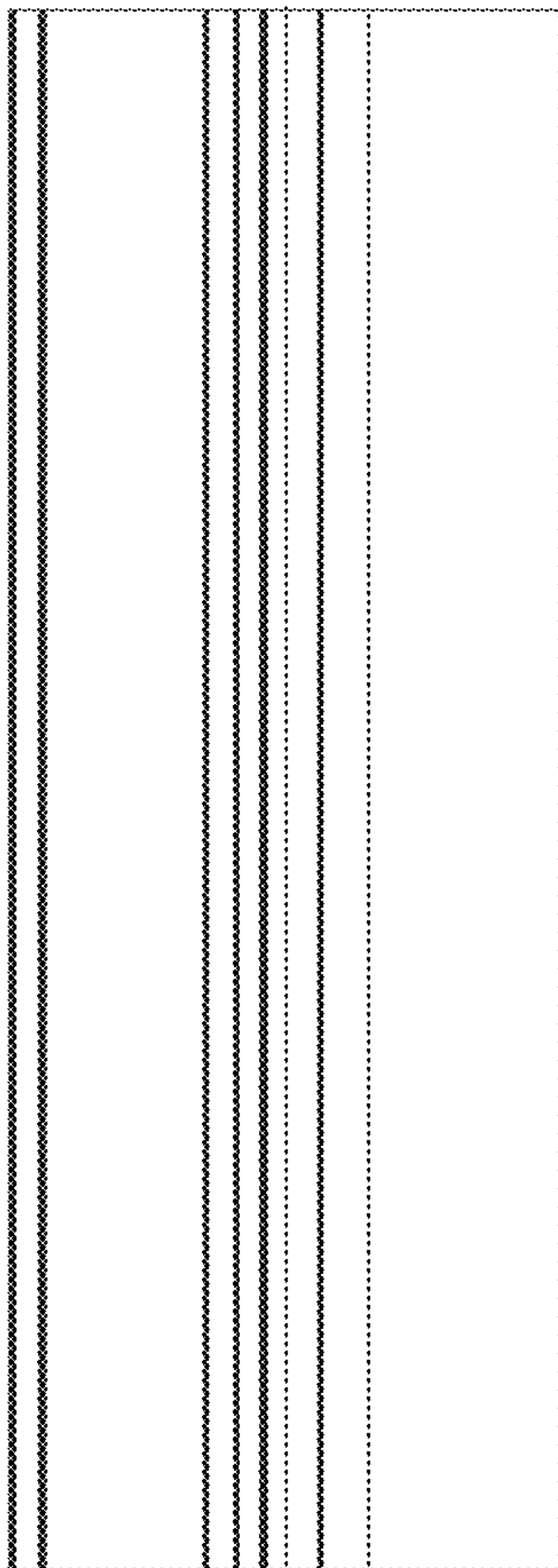


FIG. 12

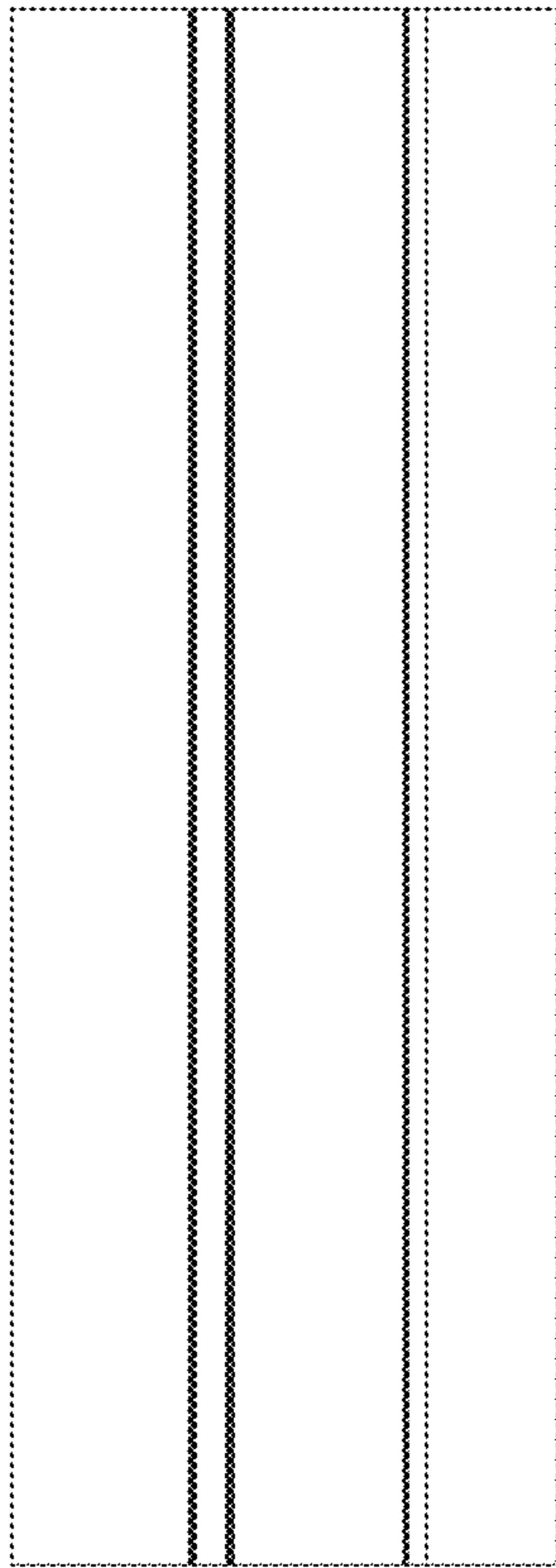


FIG. 13

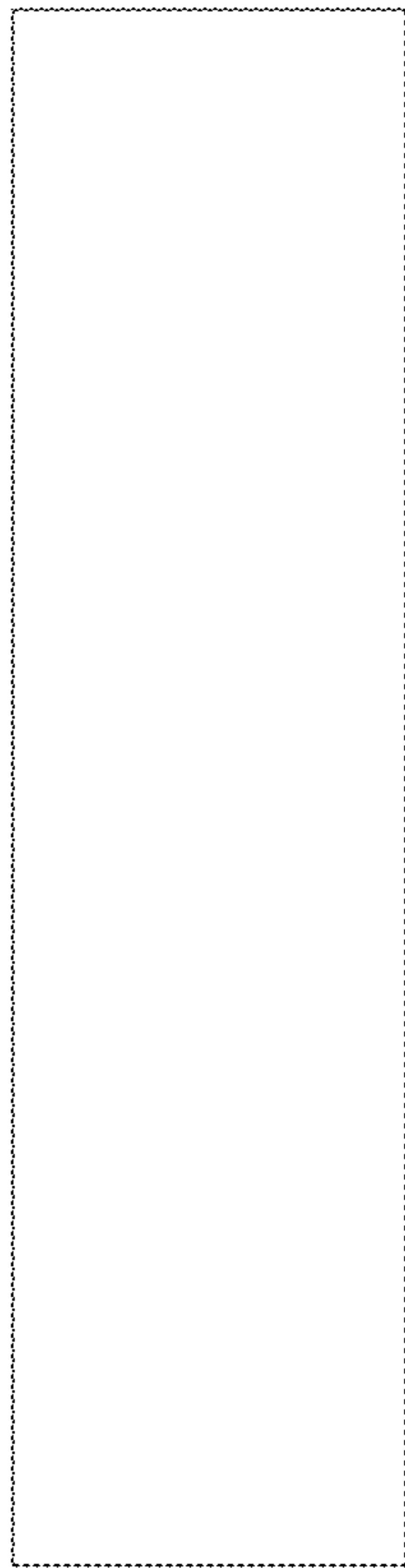


FIG. 14

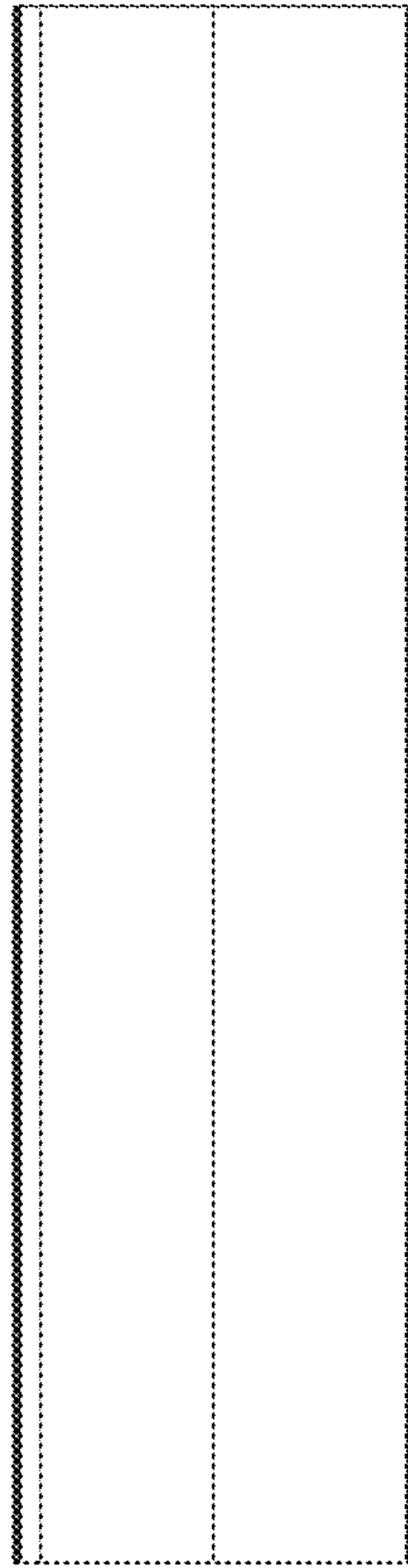


FIG. 15

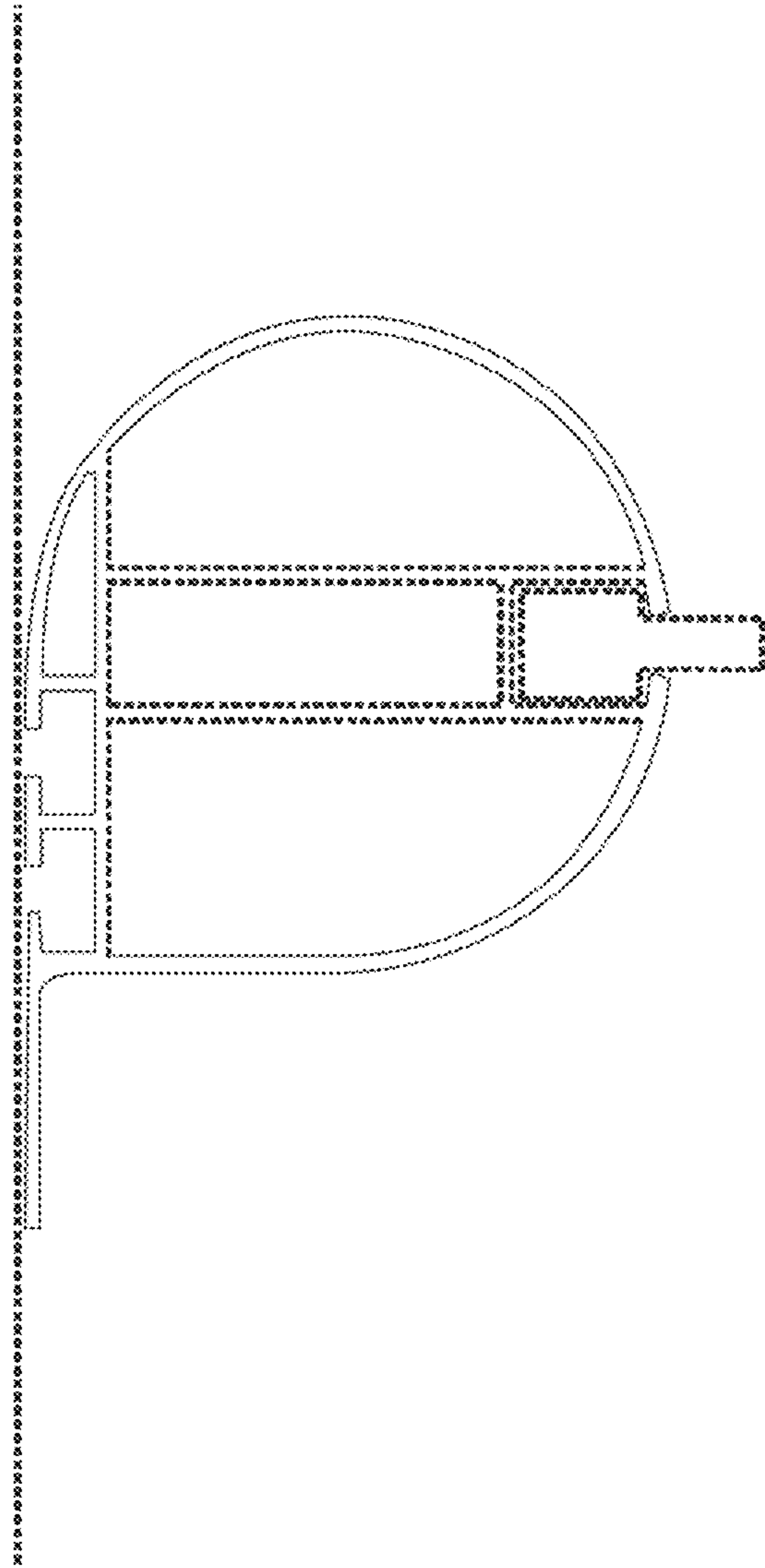


FIG. 16